



US00D860438S

(12) **United States Design Patent** (10) **Patent No.:** **US D860,438 S**
Burgess et al. (45) **Date of Patent:** **** Sep. 17, 2019**

(54) **BRACKET ARM**

(71) Applicant: **Fisher & Paykel Healthcare Limited**,
Auckland (NZ)

(72) Inventors: **Aidan Robert Burgess**, Auckland
(NZ); **Shane Terry Massey**, Auckland
(NZ); **Taylor James Edwards**,
Auckland (NZ); **Craig Karl White**,
Auckland (NZ)

(73) Assignee: **Fisher & Paykel Healthcare Limited**,
Auckland (NZ)

(**) Term: **15 Years**

(21) Appl. No.: **29/605,819**

(22) Filed: **May 30, 2017**

(51) **LOC (12) Cl.** **24-02**

(52) **U.S. Cl.**
USPC **D24/128**

(58) **Field of Classification Search**
USPC D08/353, 356, 363, 366, 371, 373, 380,
D08/381; D13/154; D14/140.6, 452;
D24/127, 128, 234; D25/119, 120, 121
(Continued)

(56) **References Cited**

U.S. PATENT DOCUMENTS

D255,718 S * 7/1980 Hunt D19/64
D357,406 S * 4/1995 Whitaker D8/380
(Continued)

FOREIGN PATENT DOCUMENTS

WO WO 2018/195154 10/2018

OTHER PUBLICATIONS

WALI Single LCD Monitor Desk Mount Fully Adjustable Stand
Fits One Screen up to 27", 22 lbs. Weight Capacity (M001), Black,
posted Nov. 27, 2015, [retrieved May 17, 2018]. Retrieved from
Internet, <URL: <https://www.amazon.com/WALI-Single-Monitor-Adjustable-Capacity/dp/B018MT6ZEK> >.*

(Continued)

Primary Examiner — Barbara Fox

Assistant Examiner — Kristin E Reed

(74) *Attorney, Agent, or Firm* — Knobbe Martens Olson
& Bear, LLP

(57) **CLAIM**

The ornamental design for a bracket arm, as shown and
described.

DESCRIPTION

FIG. 1 is a perspective view showing a front, top and right
side of a bracket arm.

FIG. 2 is a perspective view showing a rear, top and right
side thereof.

FIG. 3 is a front view thereof.

FIG. 4 is a rear view thereof.

FIG. 5 is a right side view thereof.

FIG. 6 is a left side view thereof.

FIG. 7 is a top view thereof.

FIG. 8 is a bottom view thereof.

FIG. 9 is a perspective view showing a front, top and right
side of a bracket arm.

FIG. 10 is a perspective view showing a rear, top and right
side thereof.

FIG. 11 is a front view thereof.

FIG. 12 is a rear view thereof.

FIG. 13 is a right side view thereof.

FIG. 14 is a left side view thereof.

FIG. 15 is a top view thereof.

FIG. 16 is a bottom view thereof.

FIG. 17 is a perspective view showing a front, top and right
side of a bracket arm.

FIG. 18 is a perspective view showing a rear, top and right
side thereof.

FIG. 19 is a front view thereof.

FIG. 20 is a rear view thereof.

FIG. 21 is a right side view thereof.

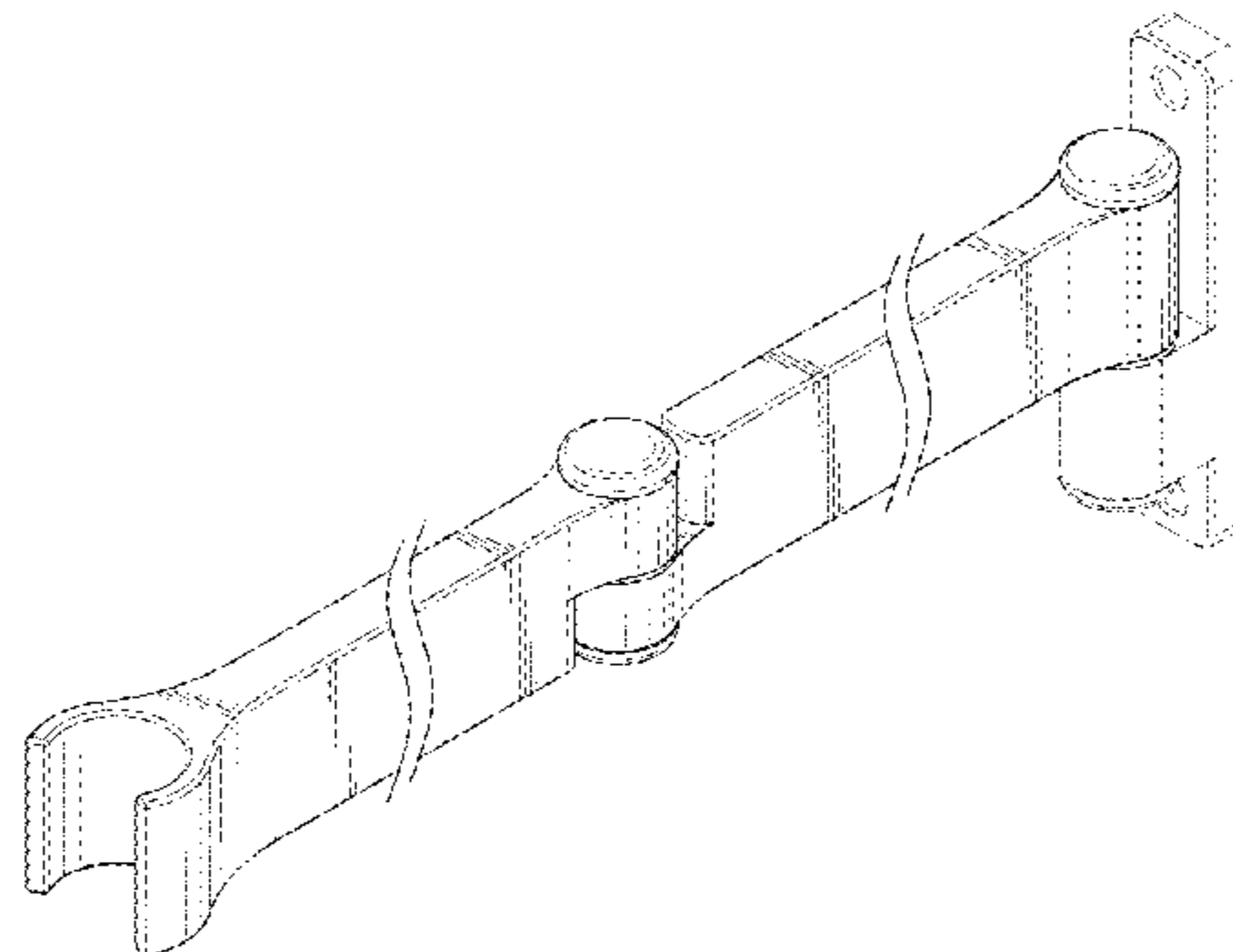
FIG. 22 is a left side view thereof.

FIG. 23 is a top view thereof; and,

FIG. 24 is a bottom view thereof.

The broken lines in the drawings show a connector that is a
part of the environment of the bracket arm and forms no part
of the claimed design.

(Continued)



The bracket arm is shown with a symbolic break in its length. The appearance of any portion of the article between the break lines forms no part of the claimed design. The references to “left,” “right,” “front,” “rear,” “top,” and “bottom” in the figure descriptions are not meant to require certain in-use orientation; the bracket arm may be used in any suitable orientations.

1 Claim, 18 Drawing Sheets

(58) **Field of Classification Search**

CPC A47B 87/00; A47B 96/02; A47B 96/06;
A47B 57/06; A47B 87/005; A47B 57/34;
A47B 96/021; A47B 96/061; B63B
22/00; F16B 37/02; F21V 21/02; F21S
8/00; G10K 1/26; G10K 1/28; G10K
9/22; H02G 1/00

See application file for complete search history.

(56) **References Cited**

U.S. PATENT DOCUMENTS

D357,922 S * 5/1995 Nysether D14/238
D462,893 S * 9/2002 Sung D8/373

D491,574 S * 6/2004 Hung D14/452
7,364,127 B2 * 4/2008 Huang F16M 11/10
248/276.1
D632,301 S * 2/2011 Kasuga D14/452
D649,535 S * 11/2011 Lau D14/239
8,459,602 B2 * 6/2013 Herskovic A61G 7/0503
248/229.13
D742,206 S * 11/2015 Bowman D8/363
9,746,130 B2 * 8/2017 Hung G06F 1/1601
9,755,375 B2 * 9/2017 Xiang F16M 11/12
9,890,899 B2 * 2/2018 Theis F16M 13/022

OTHER PUBLICATIONS

Home > Ergonomic Products > Monitor Arms > Glide Monitor Arm, posted unknown, [retrieved May 17, 2018]. Retrieved from Internet, <URL: https://www.genesys-uk.com/Glide-Monitor-Arm.Html?cPath=9_13 >.*

Humanscale M/Flex Monitor Arm—One Monitor Solution, posted Feb. 18, 2016, [retrieved May 17, 2018]. Retrieved from Internet, <URL: <https://www.thehumansolution.com/humanscale-mflex-monitor-arm.html> >.*

CH-1003, posted unknown, [retrieved May 17, 2018]. Retrieved from Internet, <URL: <https://www.hatchmed.com/ivtow-1/>>.*

* cited by examiner

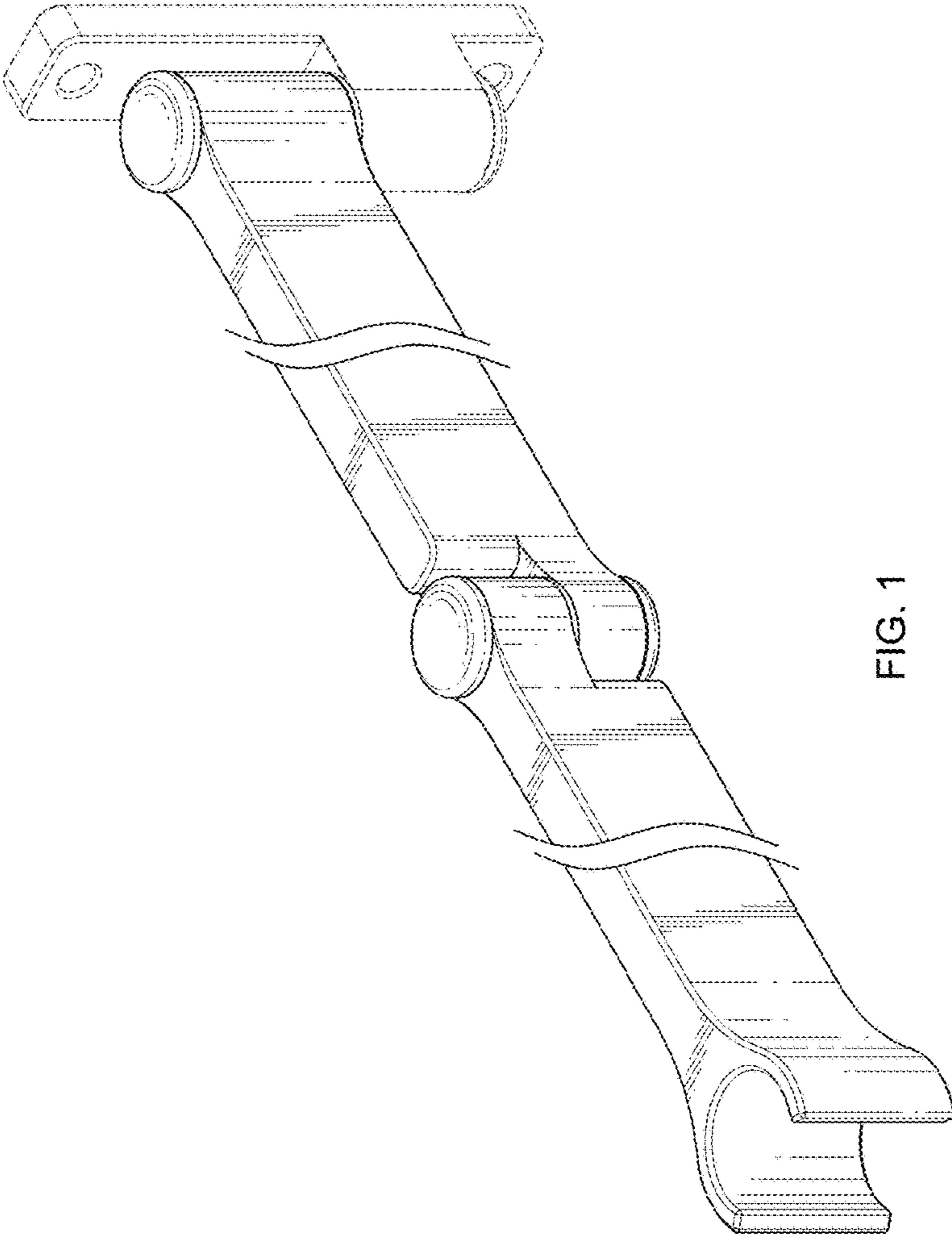


FIG. 1

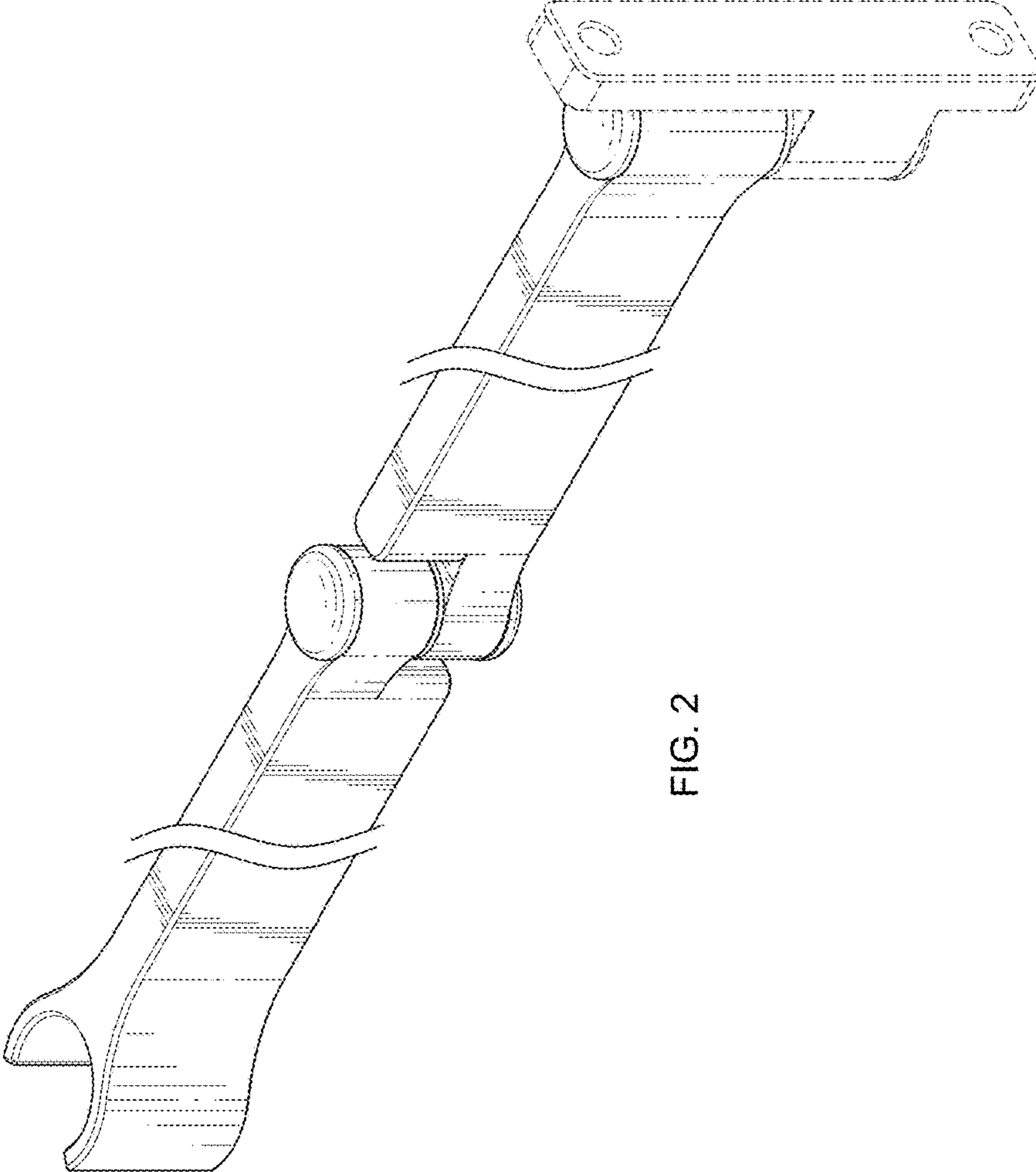


FIG. 2

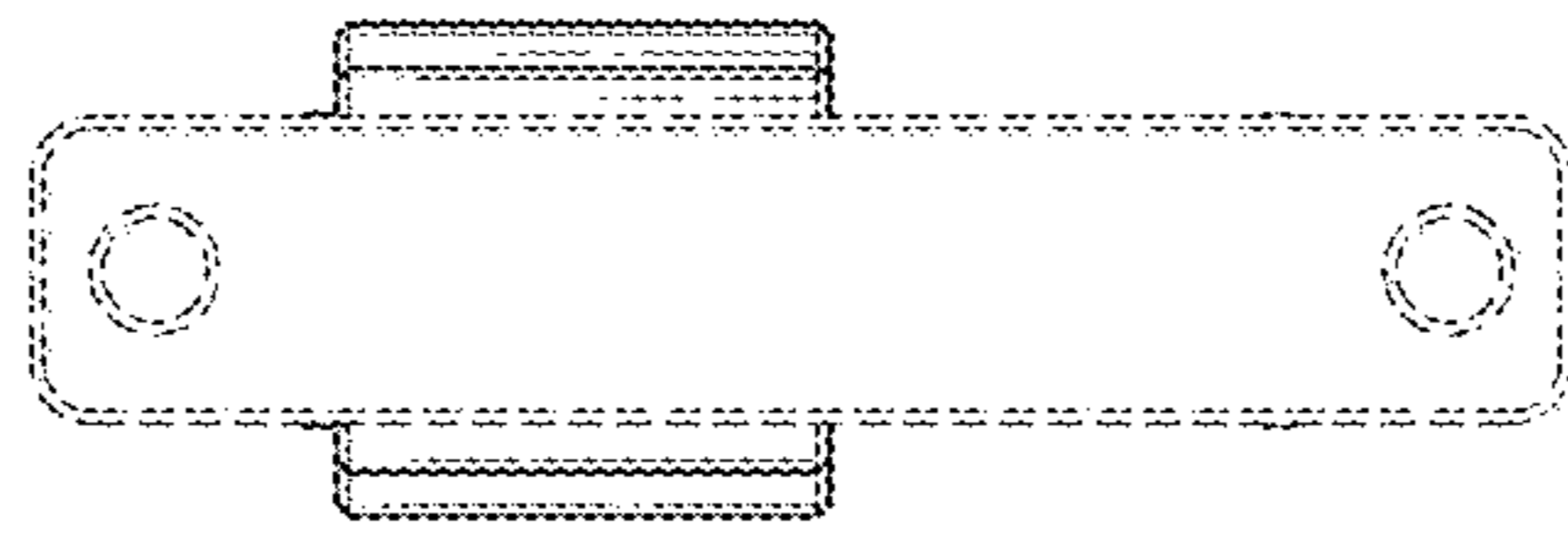


FIG. 4

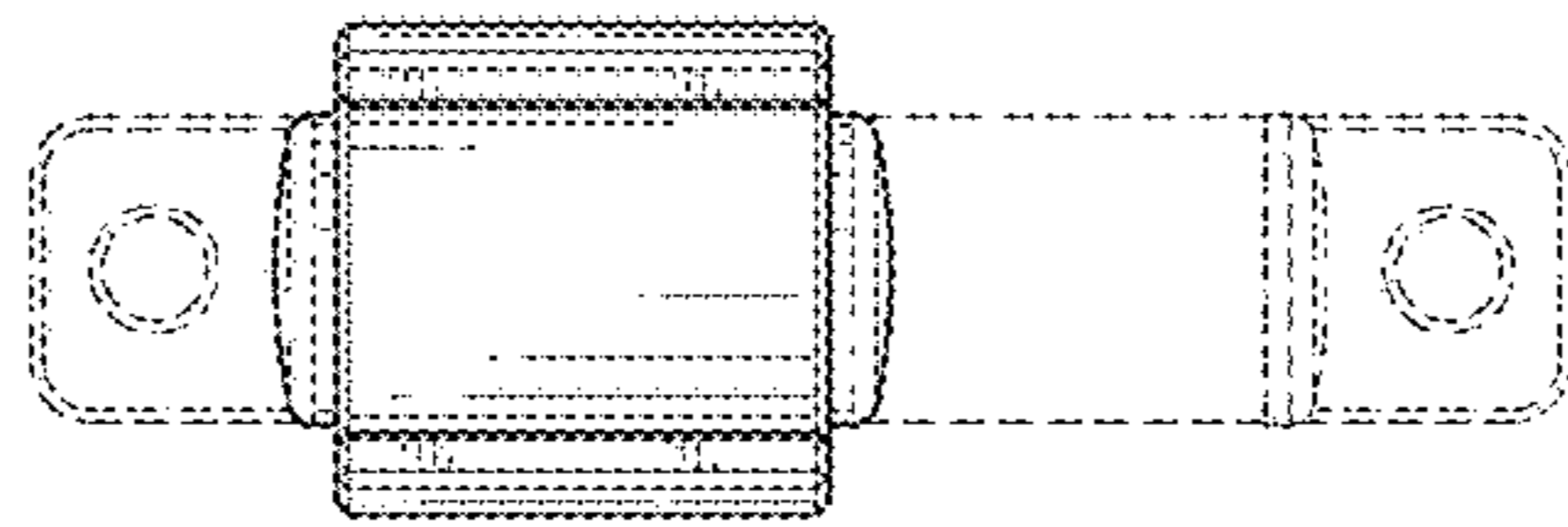


FIG. 3

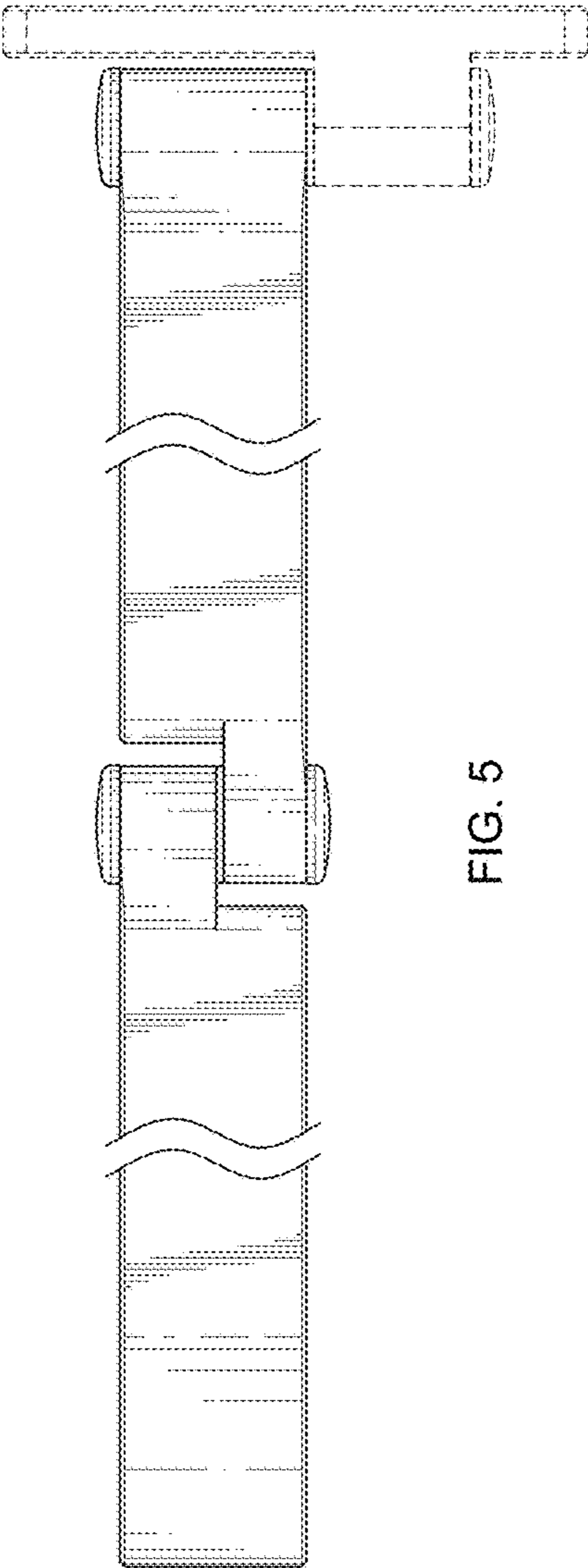


FIG. 5

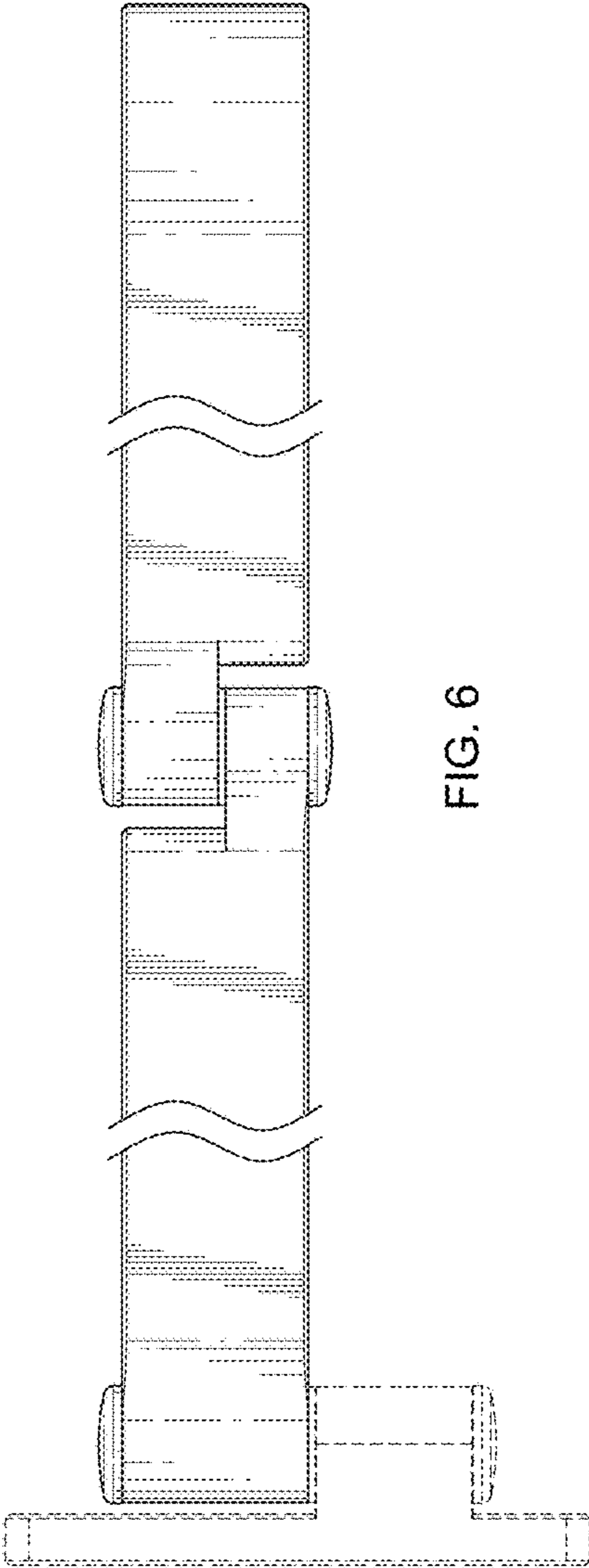


FIG. 6

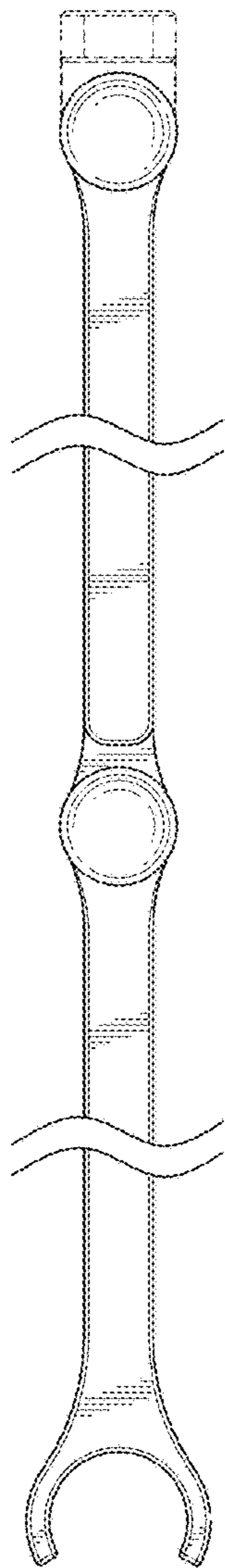


FIG. 7

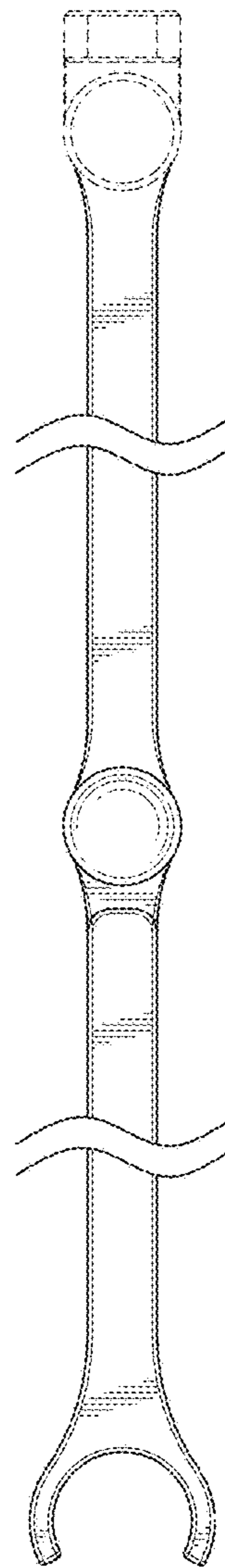


FIG. 8

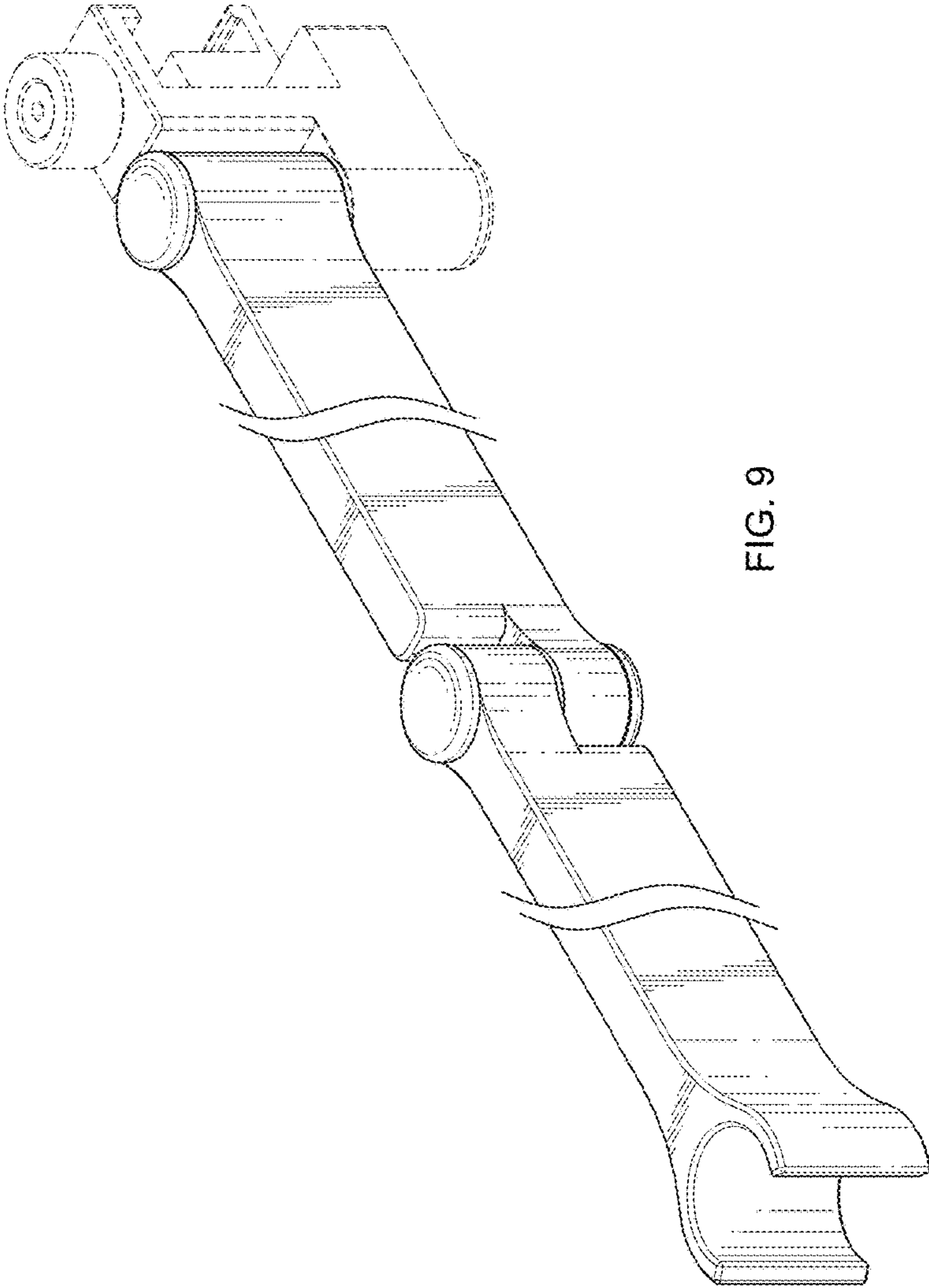


FIG. 9

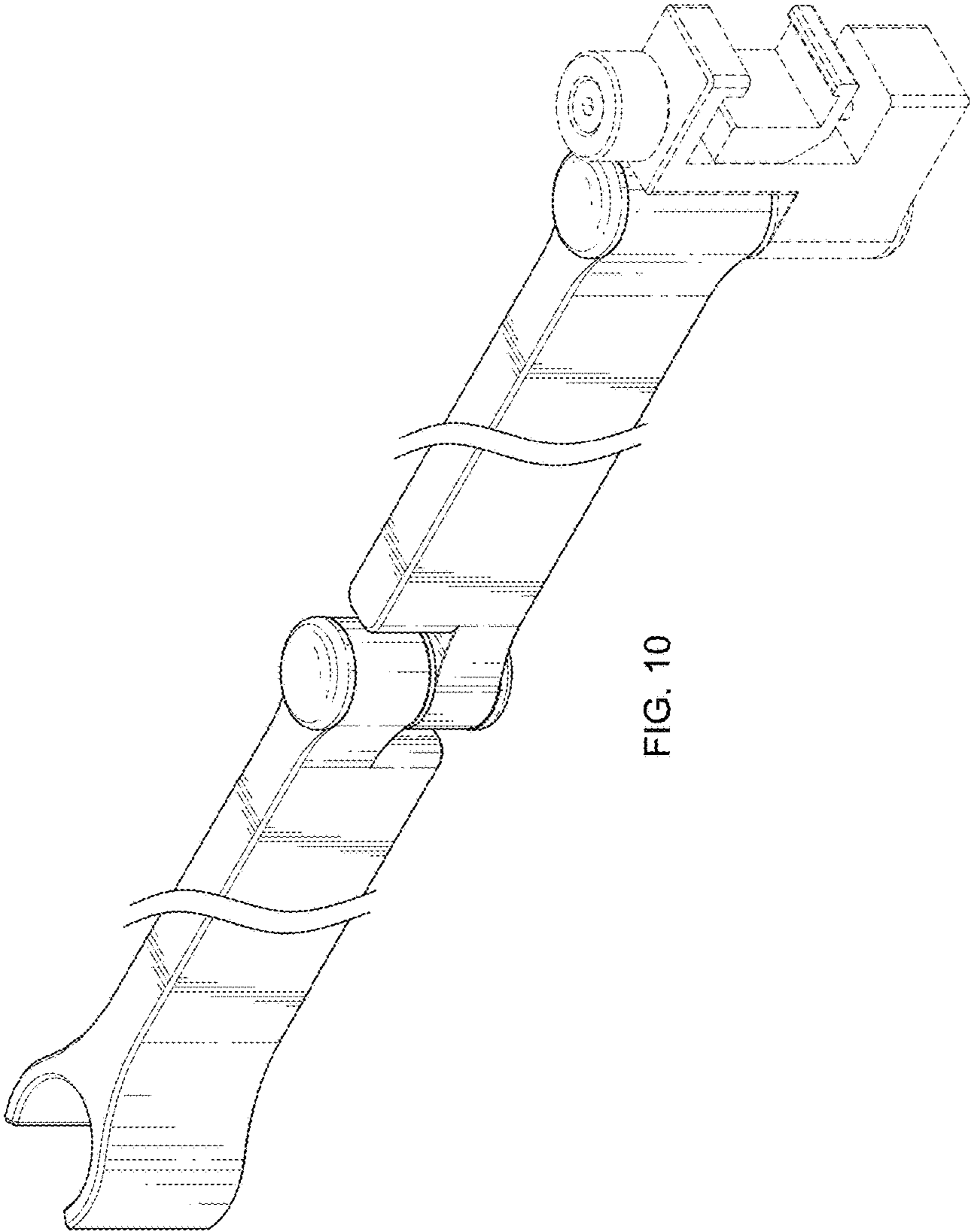


FIG. 10

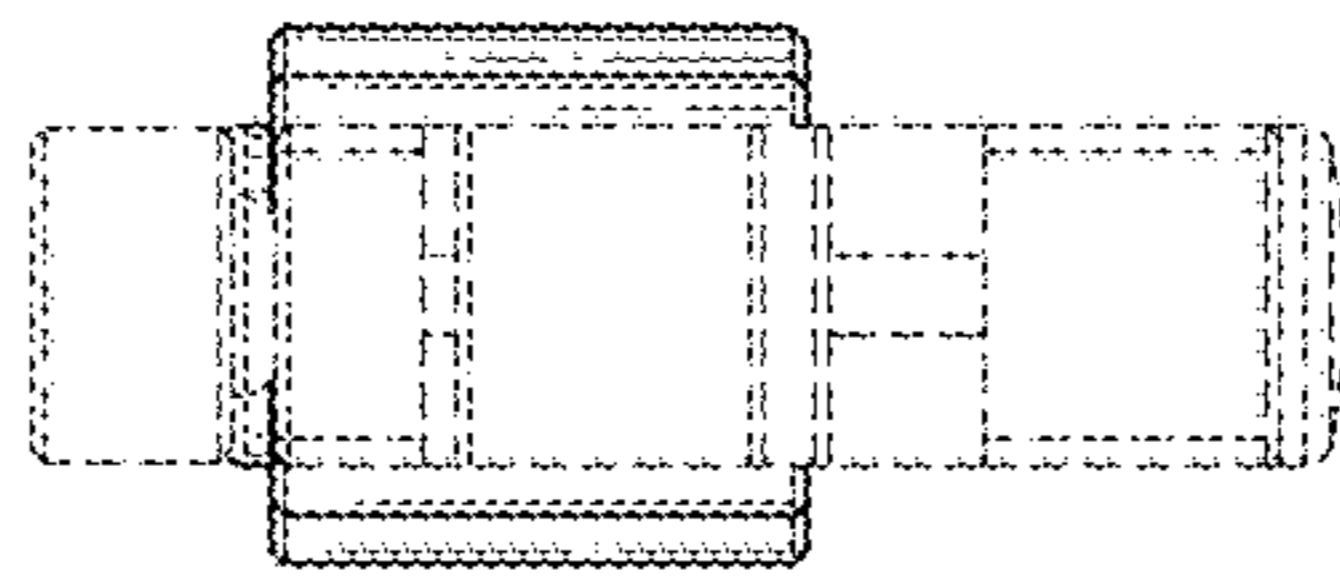


FIG. 12

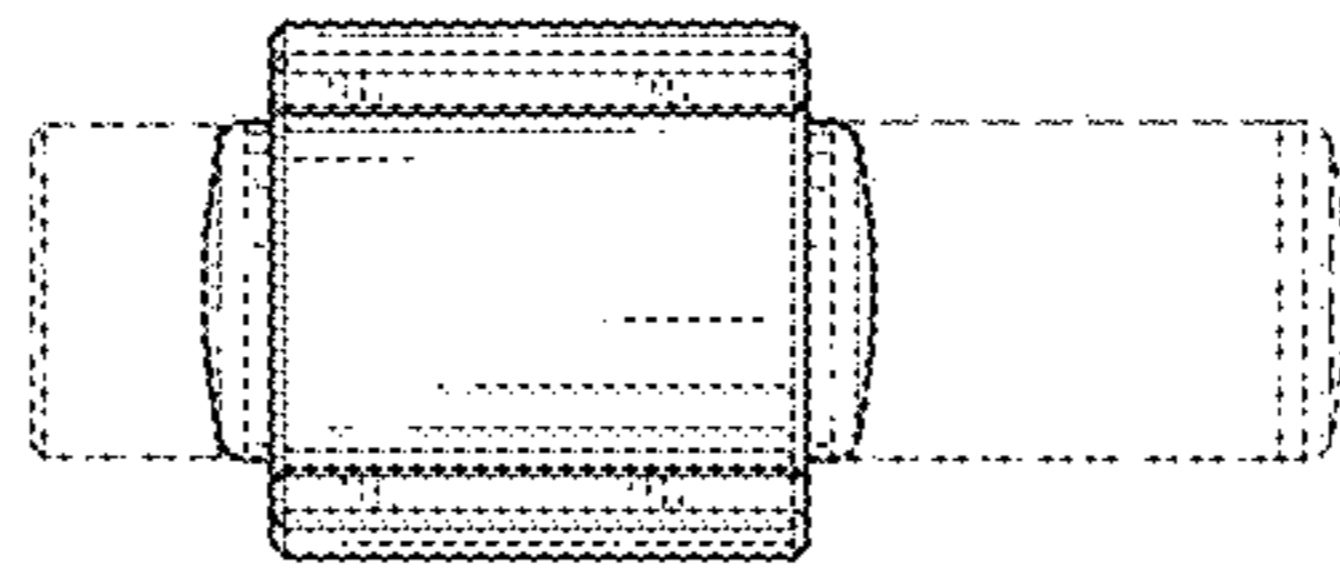


FIG. 11

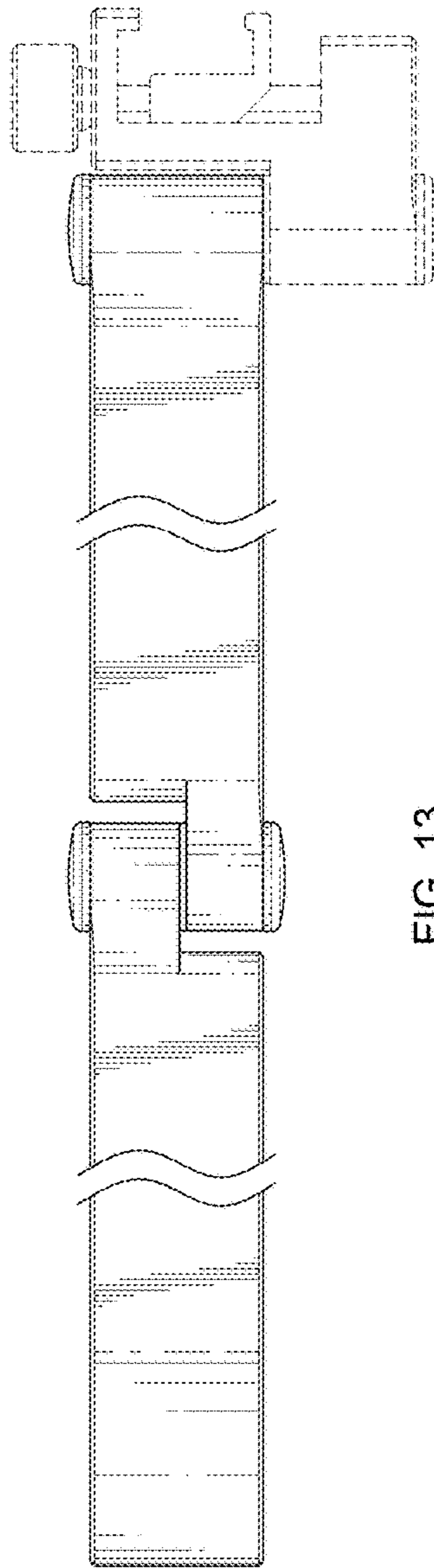


FIG. 13

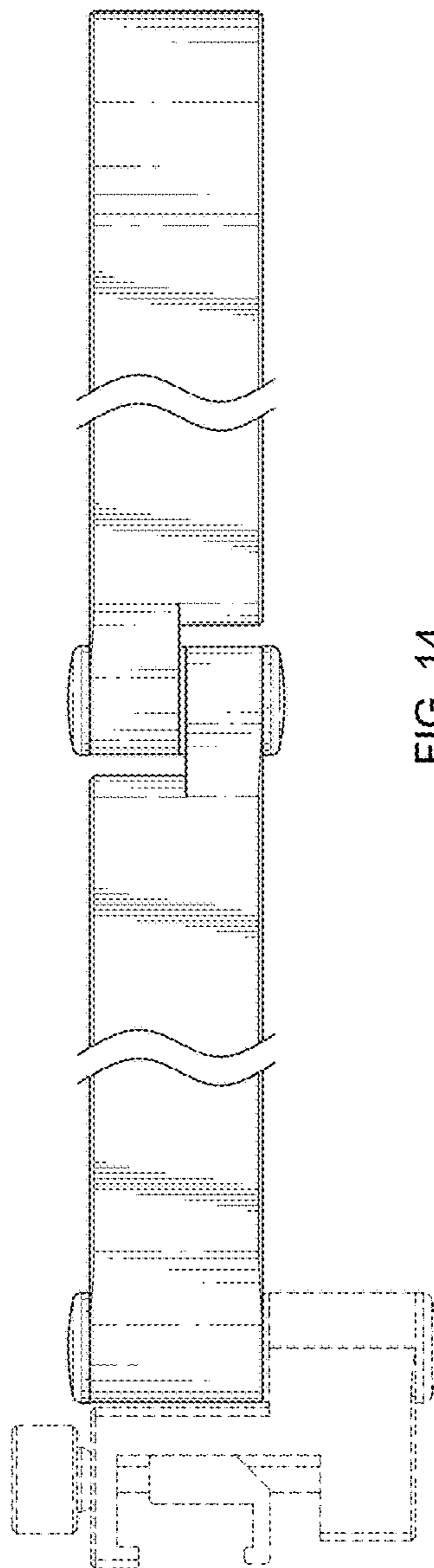


FIG. 14

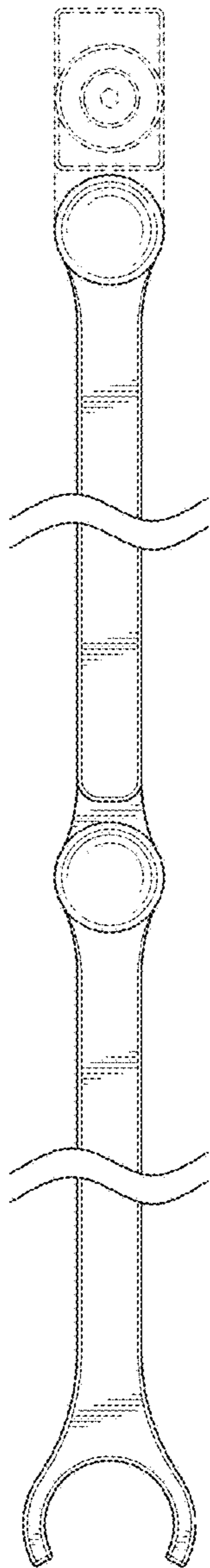


FIG. 15

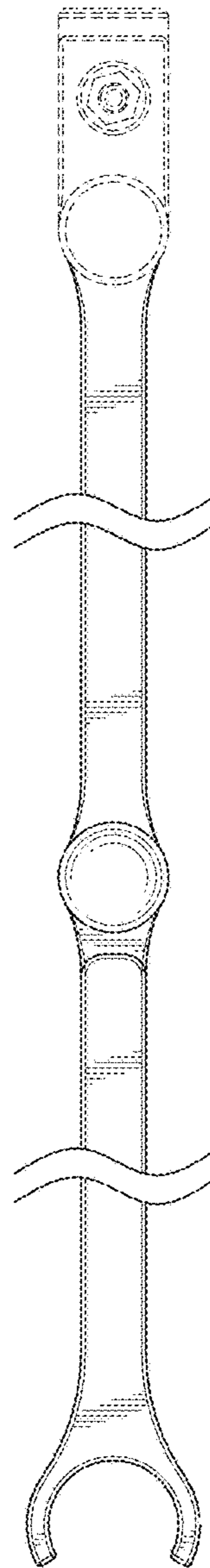


FIG. 16

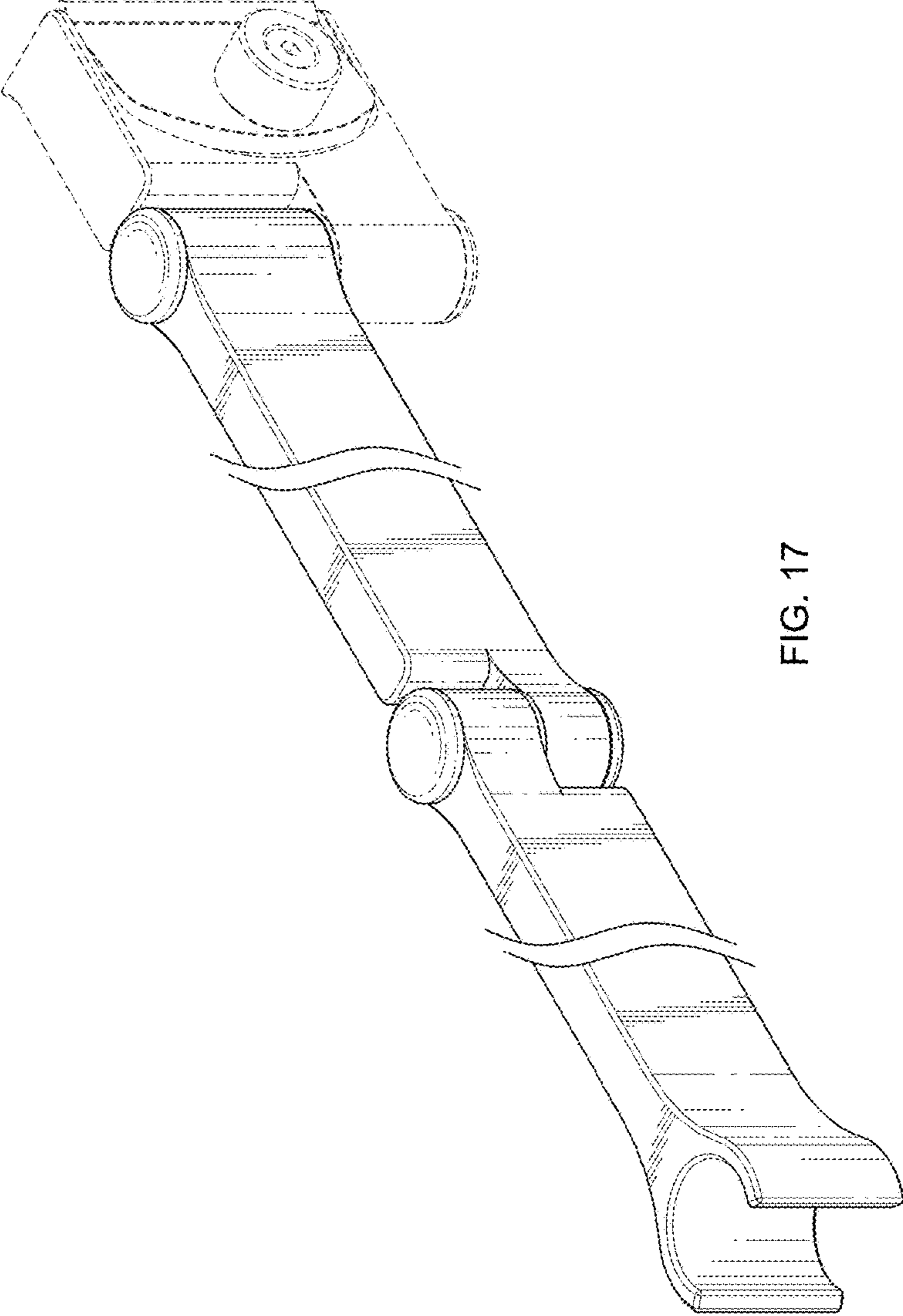


FIG. 17

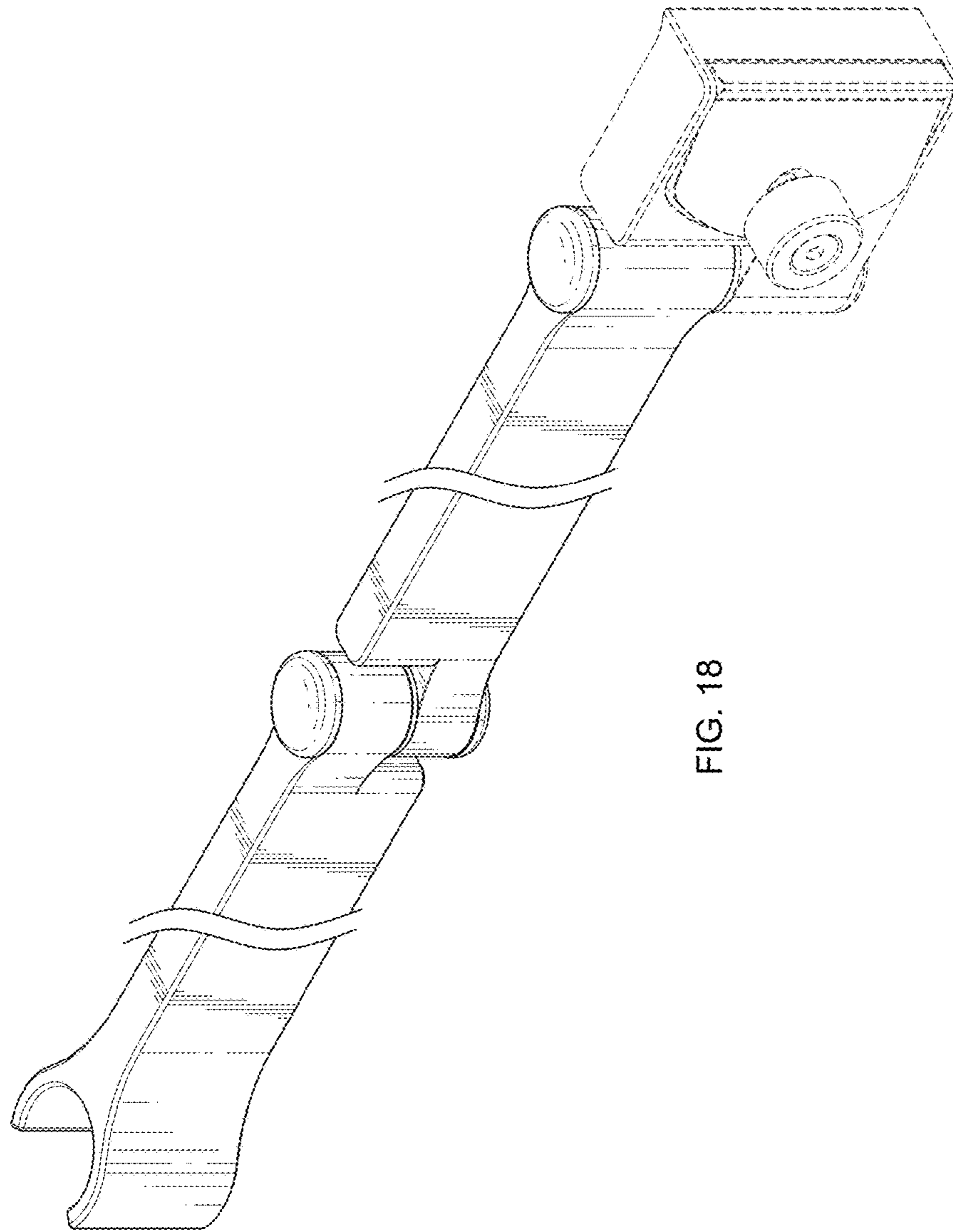


FIG. 18

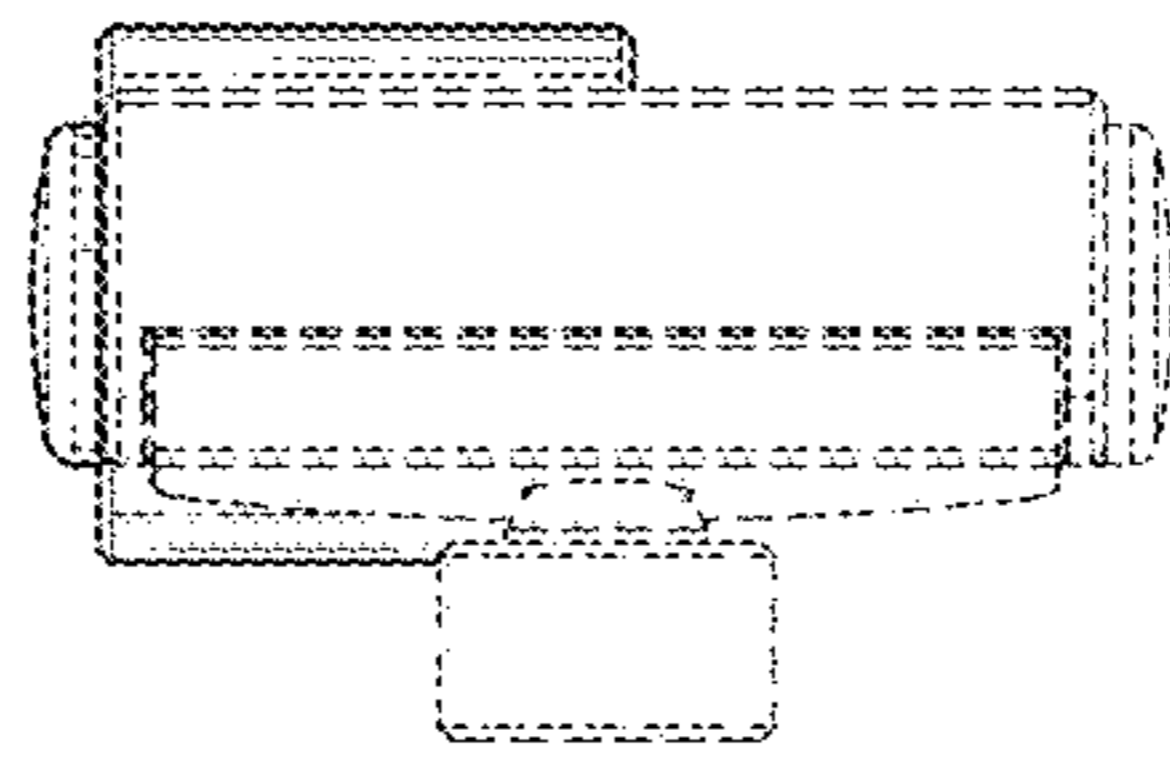


FIG. 20

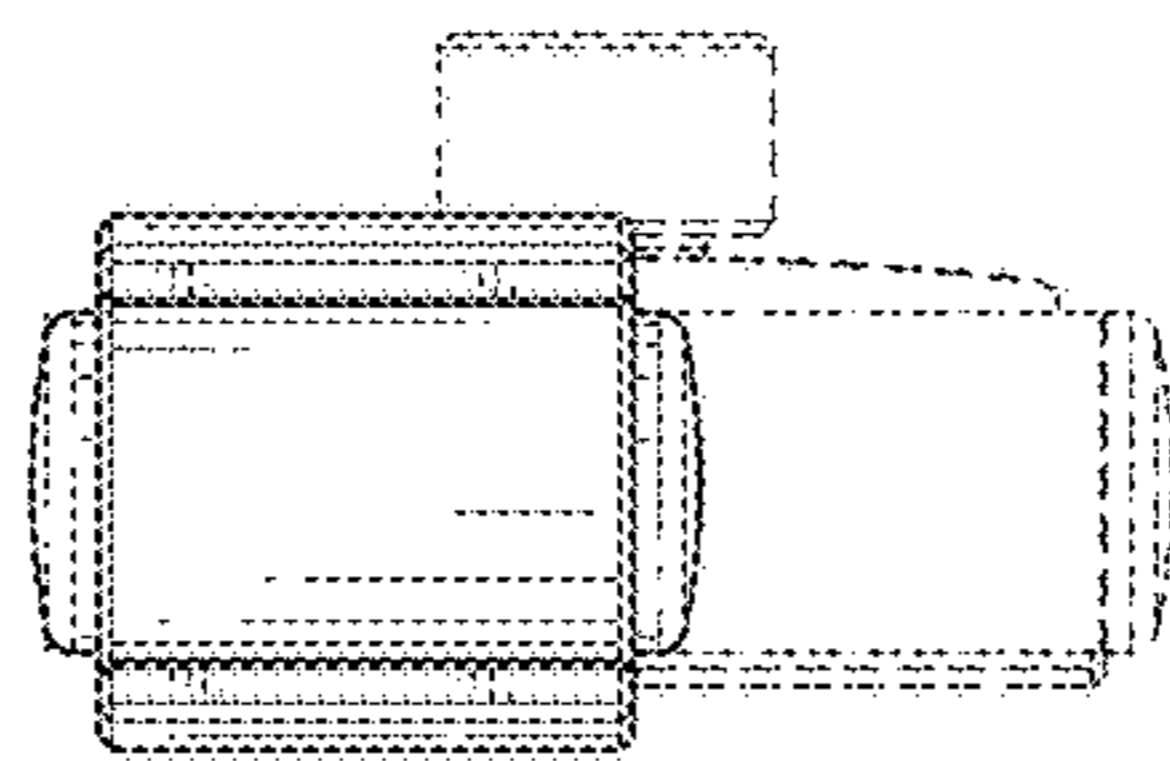


FIG. 19

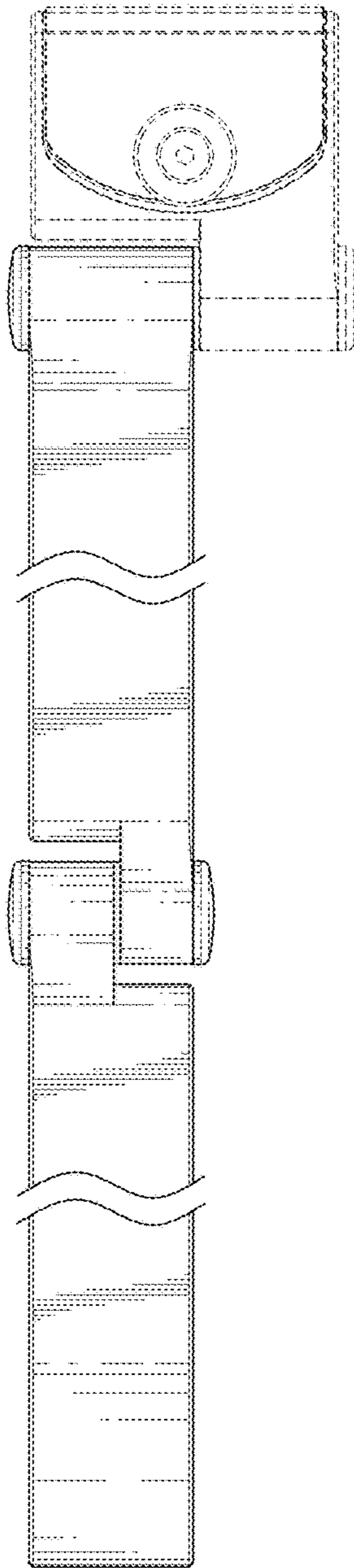


FIG. 21

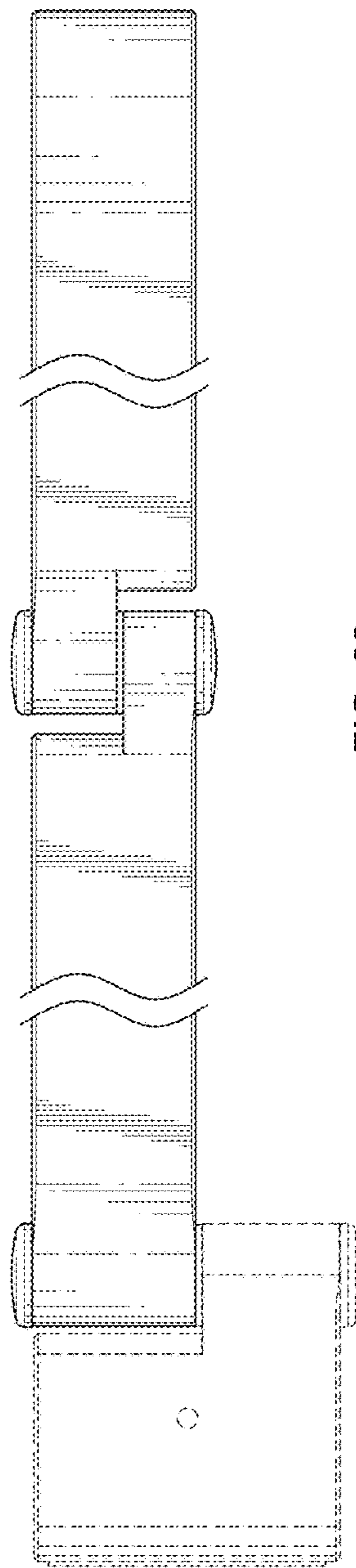


FIG. 22

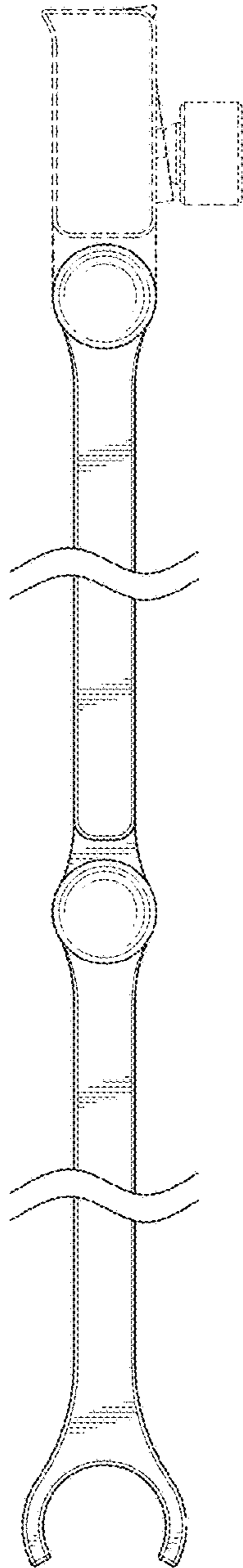


FIG. 23

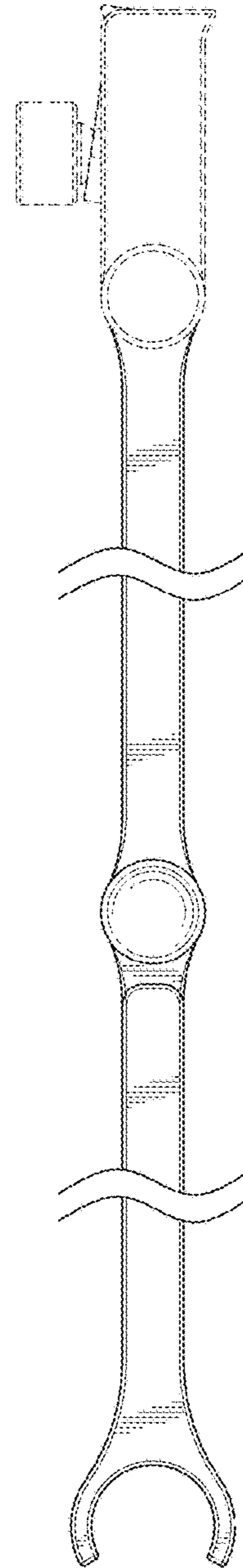


FIG. 24