



US00D860436S

(12) **United States Design Patent** (10) **Patent No.:** **US D860,436 S**
Chen (45) **Date of Patent:** **** Sep. 17, 2019**

(54) **DIVING MASK**

(71) Applicant: **Yan Chen**, Hubei (CN)

(72) Inventor: **Yan Chen**, Hubei (CN)

(**) Term: **15 Years**

(21) Appl. No.: **29/624,717**

(22) Filed: **Nov. 3, 2017**

(30) **Foreign Application Priority Data**

Jul. 27, 2017 (CN) 2017 3 0336942

(51) **LOC (12) Cl.** **29-02**

(52) **U.S. Cl.**
USPC **D24/110.2; D24/110.4**

(58) **Field of Classification Search**
USPC D24/110-110.6; D29/110
CPC B63C 11/205; B63C 11/16; B63C 11/186;
B63C 11/12
See application file for complete search history.

(56) **References Cited**

U.S. PATENT DOCUMENTS

D775,722 S *	1/2017	Caprice	D24/110.2
D838,358 S *	1/2019	Xu	D24/110.2
D839,408 S *	1/2019	Hu	D24/110.2
D849,932 S *	5/2019	Caprice	D24/110.2
2016/0297505 A1 *	10/2016	Caprice	B63C 11/16
2017/0096204 A1 *	4/2017	Cucchia	B63C 11/12

2017/0334531 A1 *	11/2017	Shiue	A62B 9/02
2018/0065719 A1 *	3/2018	Liao	B63C 11/14
2018/0134352 A1 *	5/2018	Armani	B63C 11/16
2018/0297676 A1 *	10/2018	Zheng	B63C 11/16
2018/0319471 A1 *	11/2018	Thomas	B63C 11/16
2019/0002068 A1 *	1/2019	Godoy	B63C 11/205
2019/0023366 A1 *	1/2019	Liao	B63C 11/16
2019/0039702 A1 *	2/2019	Gamberini	B63C 11/12
2019/0118918 A1 *	4/2019	Xiao	B63C 11/16

* cited by examiner

Primary Examiner — Lilyana Bekic

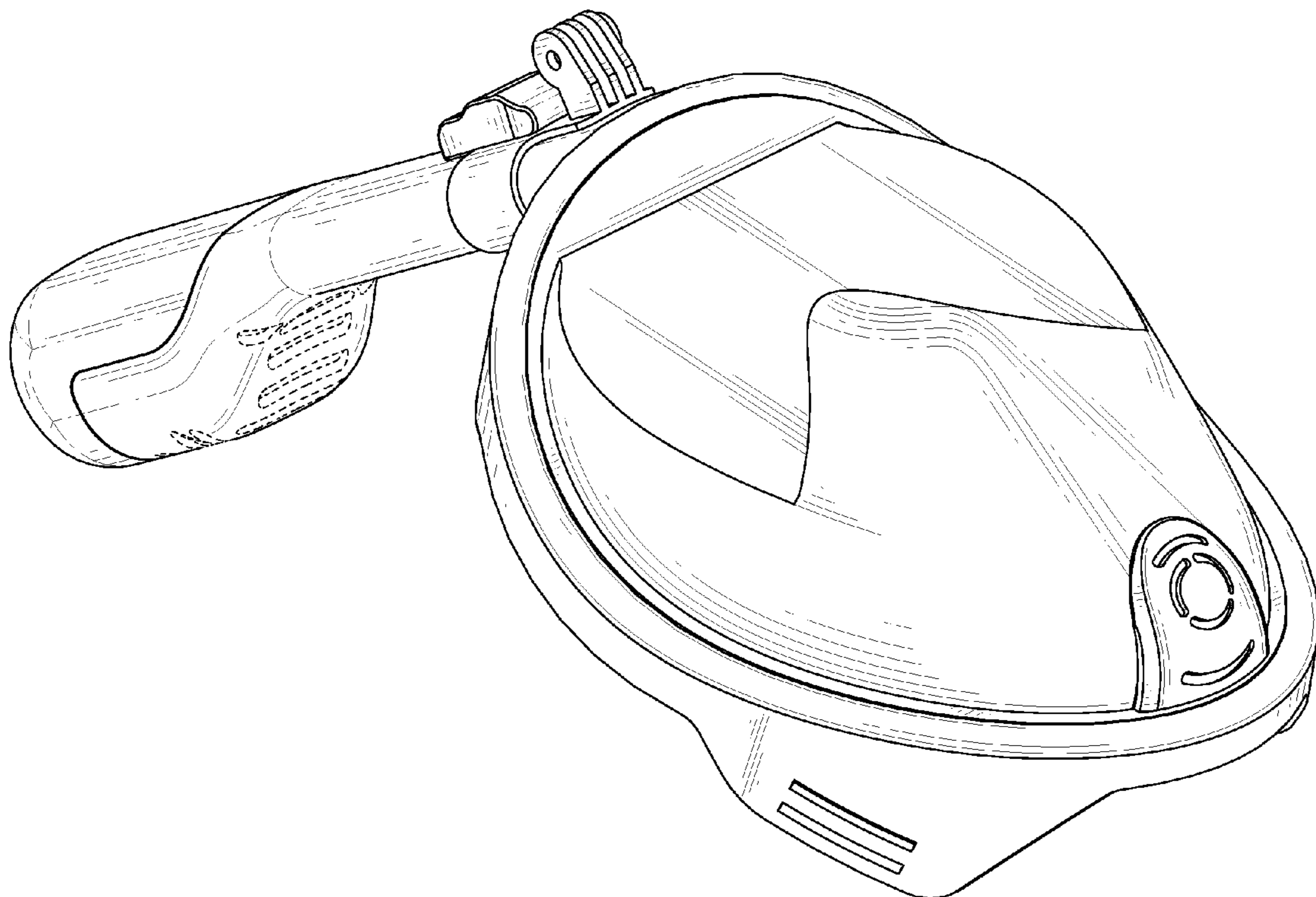
(57) **CLAIM**

The ornamental design for a diving mask, as shown and described.

DESCRIPTION

FIG. 1 is a front perspective view of a diving mask showing my new design;
FIG. 2 is a rear perspective view thereof;
FIG. 3 is a front elevational view thereof;
FIG. 4 is a rear elevational view thereof;
FIG. 5 is a left side view thereof;
FIG. 6 is a right side view thereof;
FIG. 7 is a top plan view thereof; and,
FIG. 8 is a bottom plan view thereof.
The broken lines in the drawings depict portions of the diving mask that form no part of the claimed design.

1 Claim, 8 Drawing Sheets



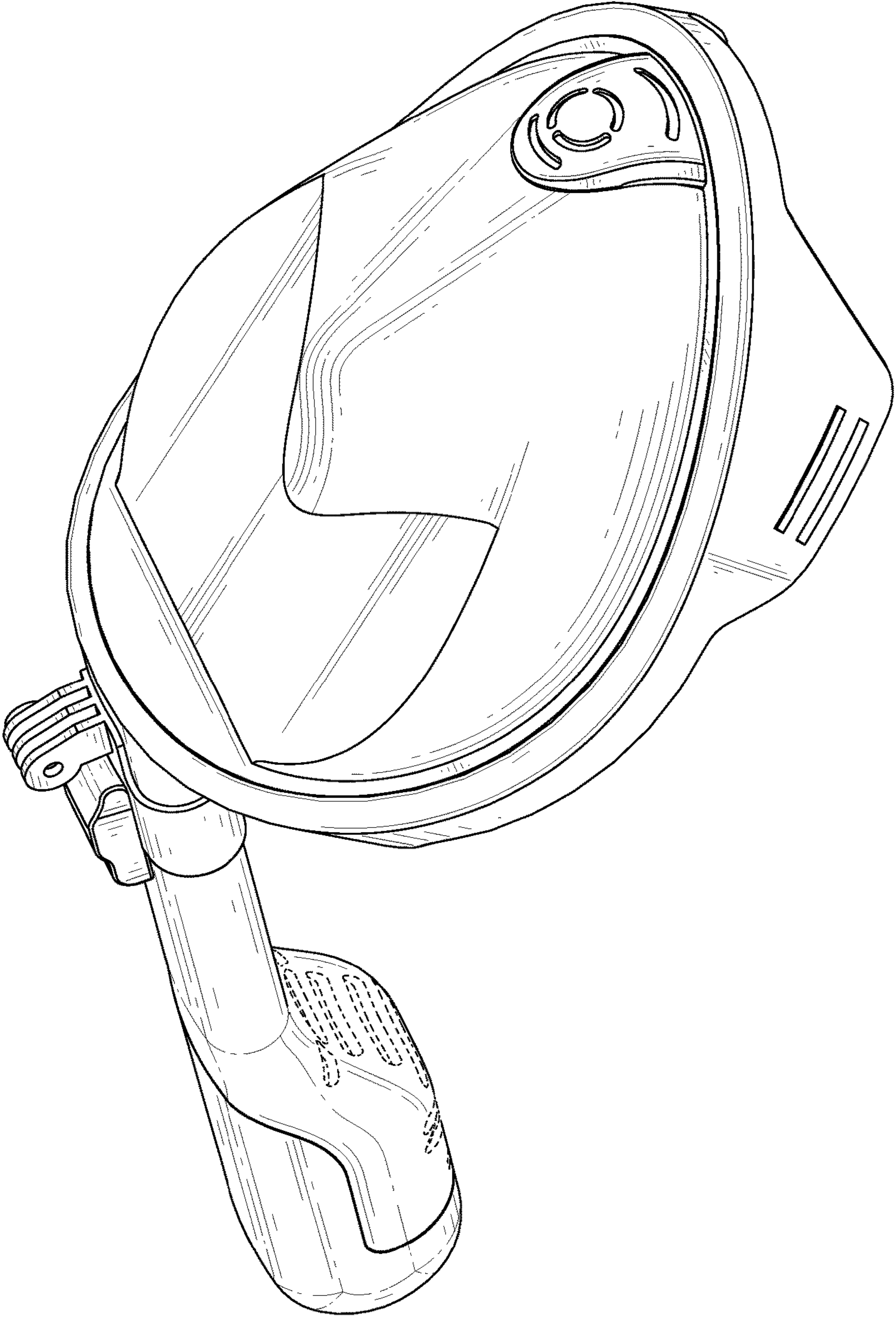


FIG. 1

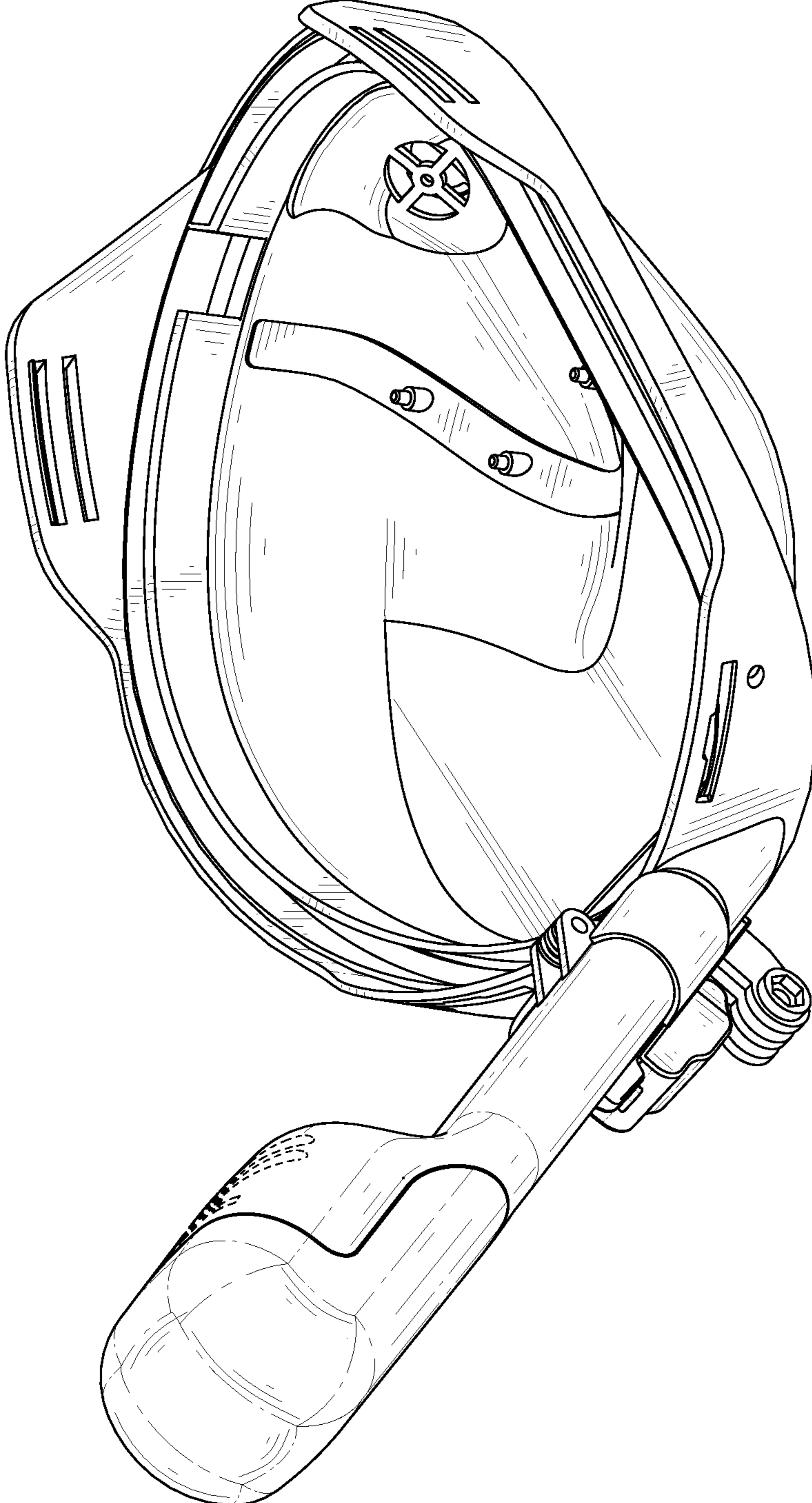


FIG. 2

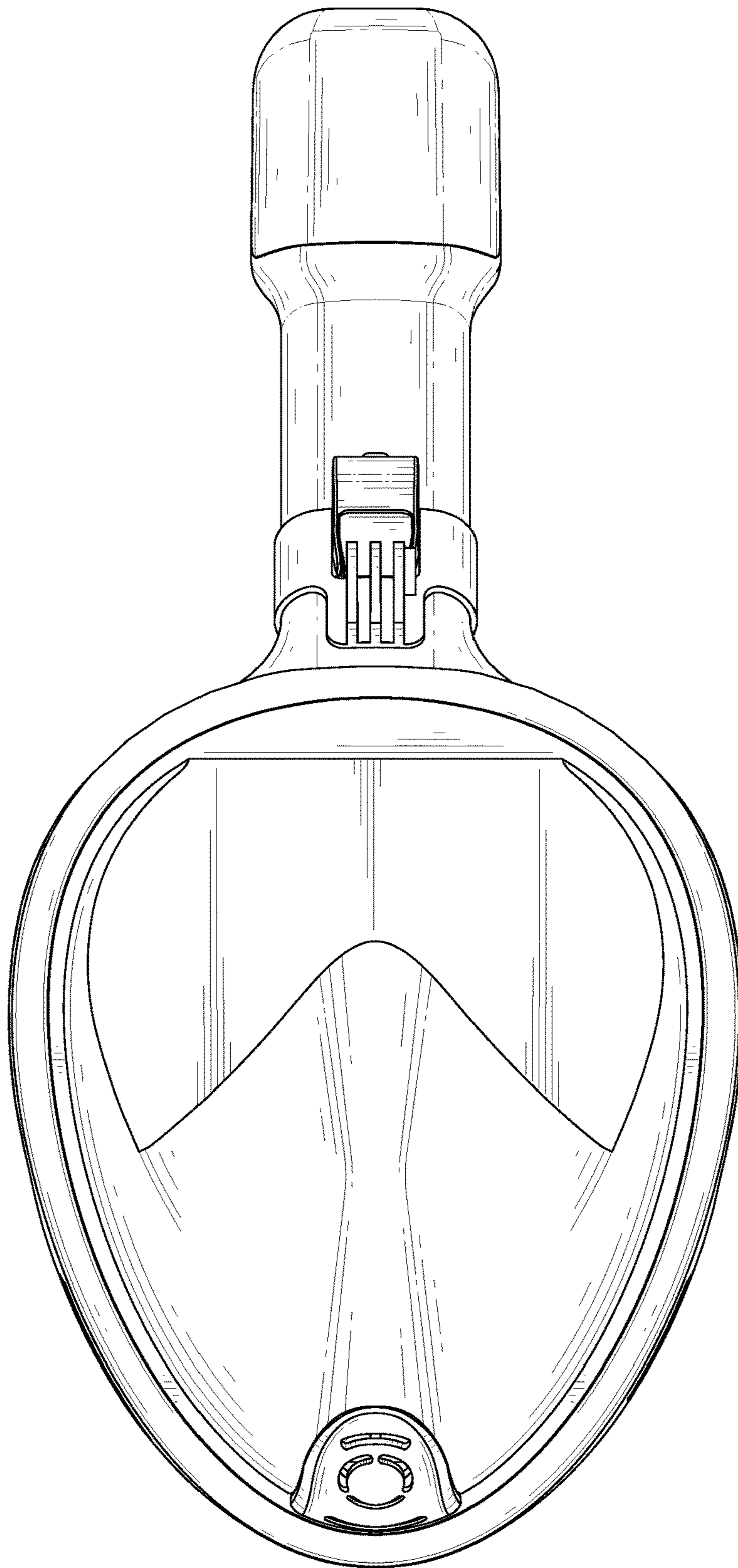


FIG. 3

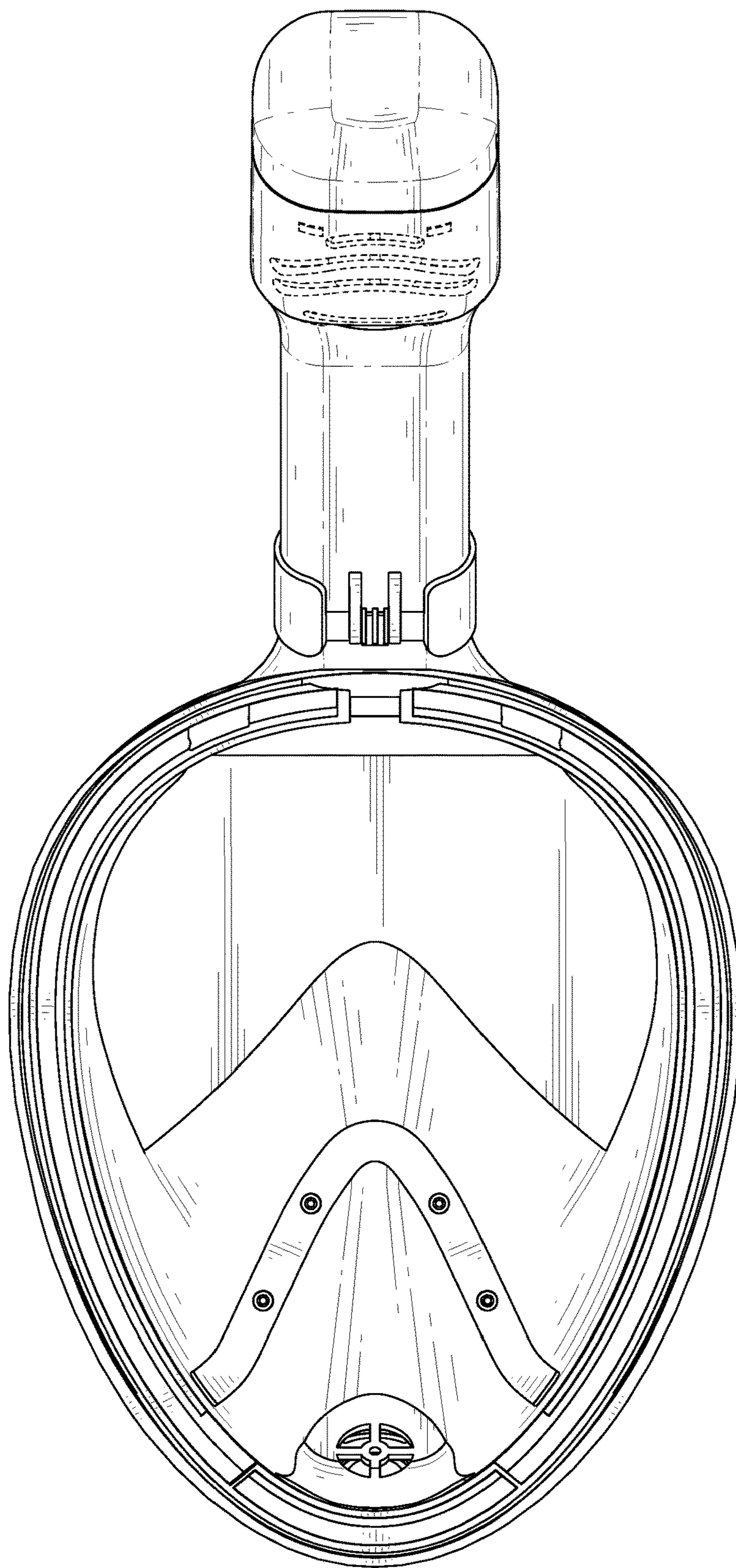


FIG. 4

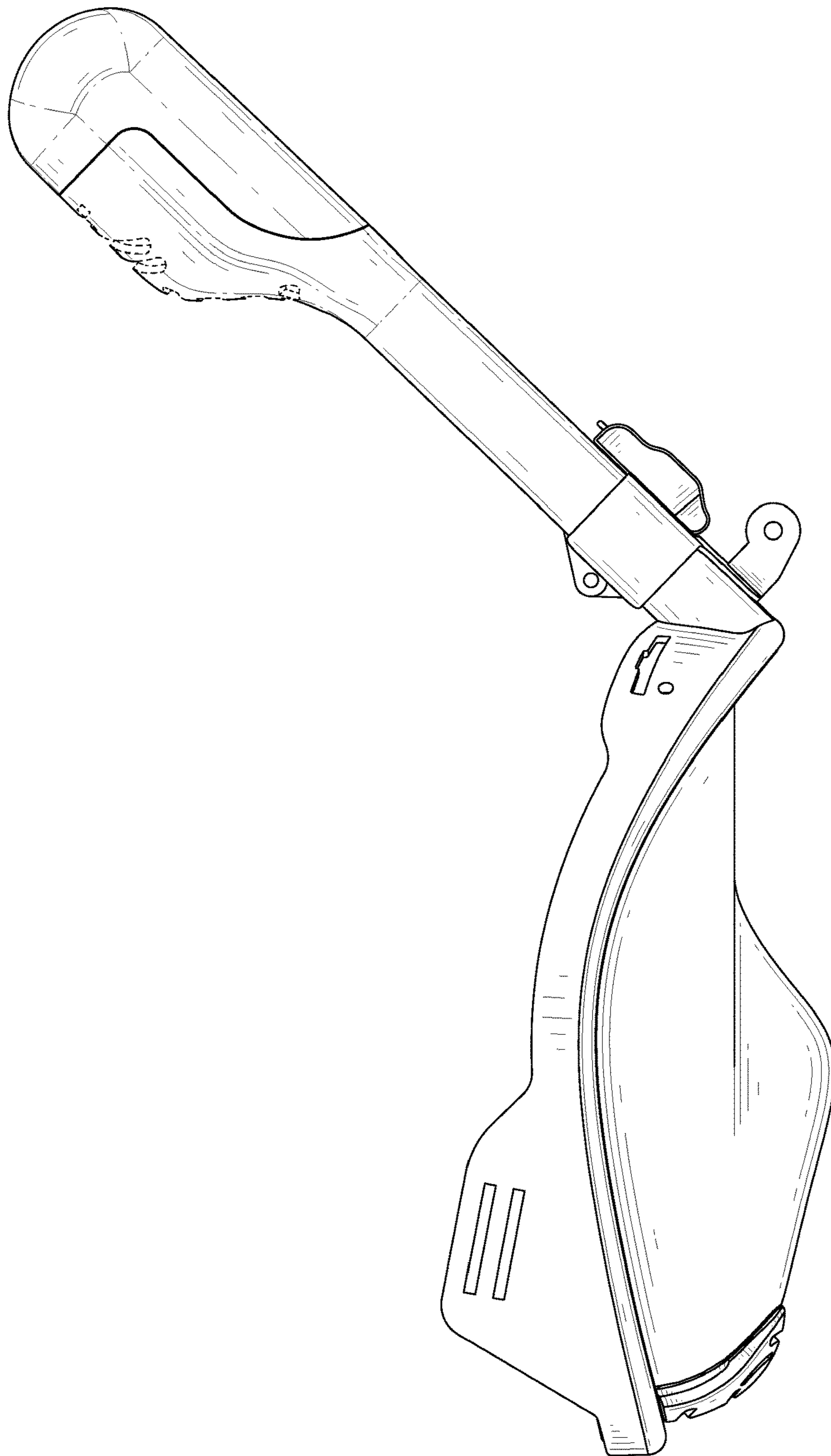


FIG. 5

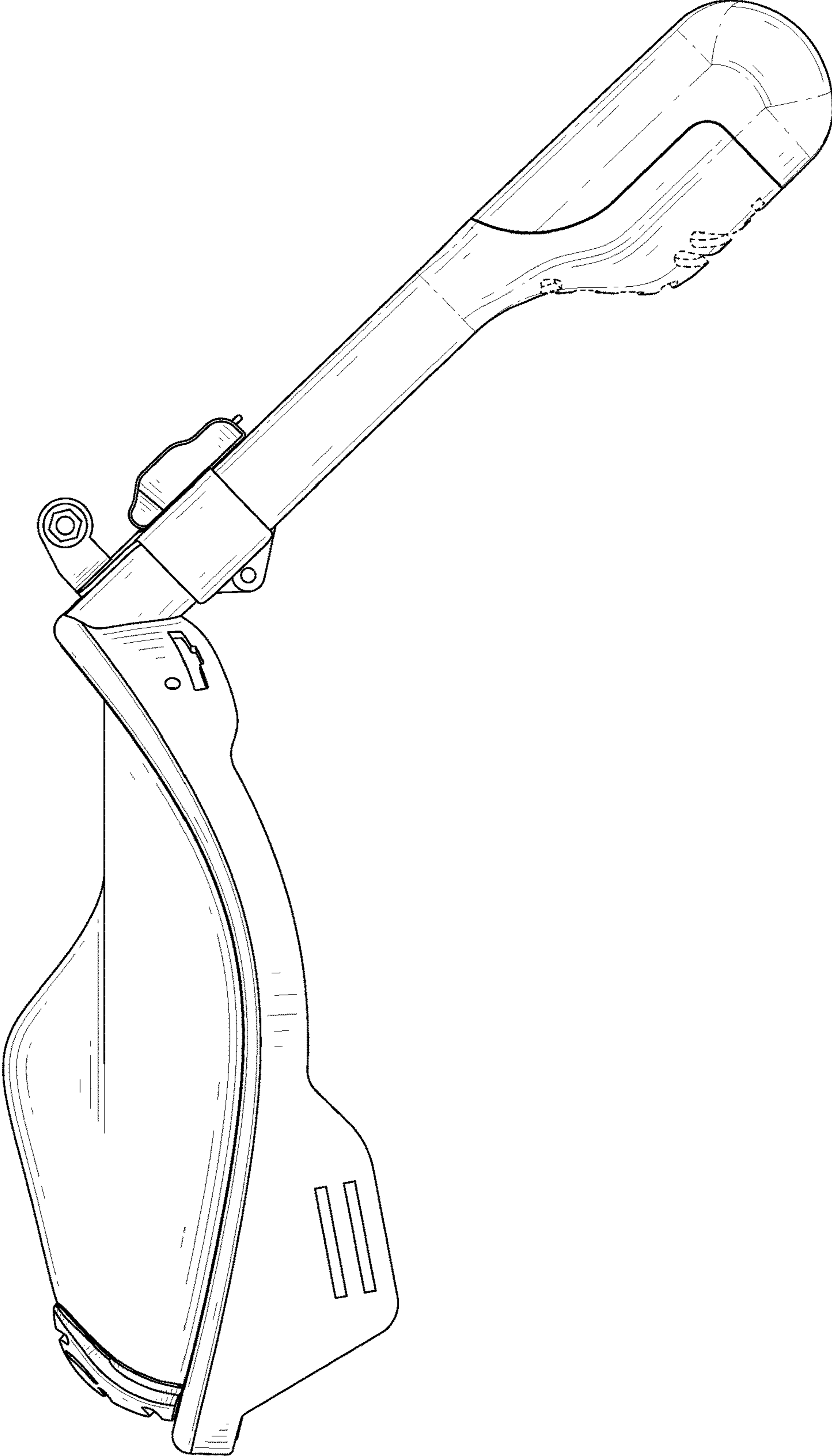


FIG. 6

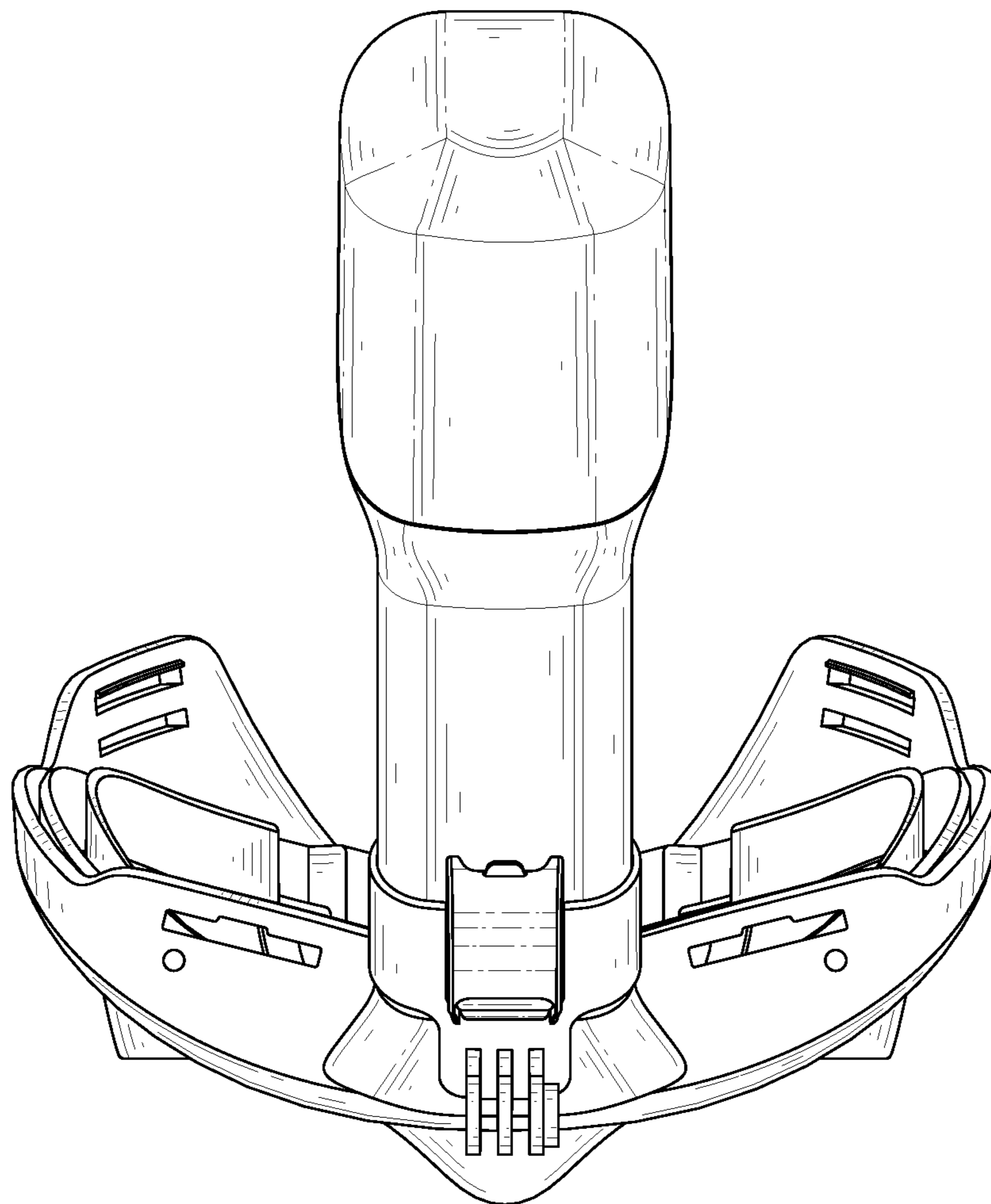


FIG. 7

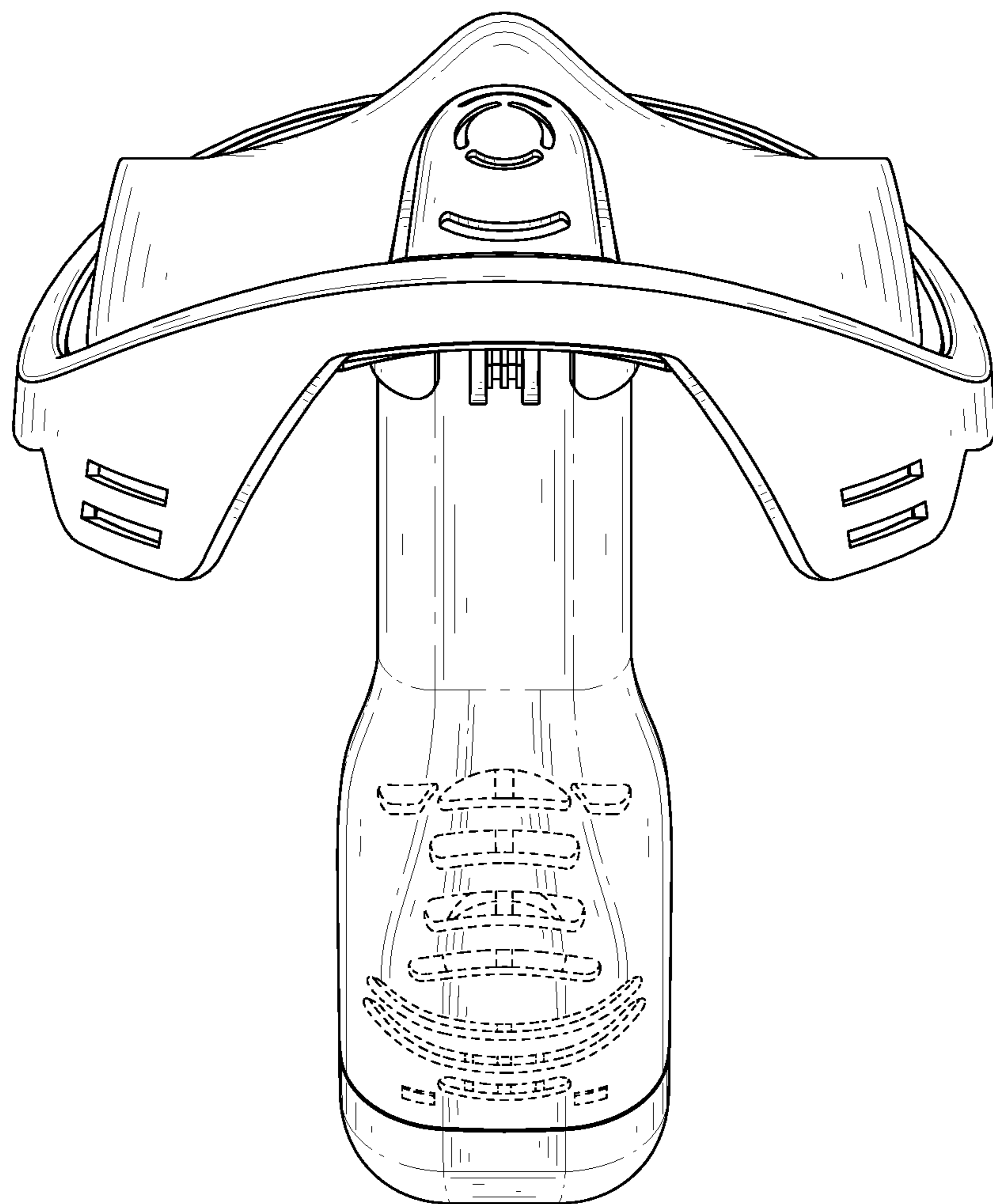


FIG. 8