

US00D860435S

(12) **United States Design Patent** (10) **Patent No.:** **US D860,435 S**  
**Wang et al.** (45) **Date of Patent:** **\*\* \*Sep. 17, 2019**

- (54) **INTRANASAL DRUG DELIVERY DEVICE**
- (71) Applicant: **JANSSEN PHARMACEUTICA NV**,  
Beerse (BE)
- (72) Inventors: **Jingli Wang**, San Jose, CA (US);  
**Michael Cannamela**, Atlantic  
Highlands, NJ (US); **Hong Yan**,  
Pleasanton, CA (US); **Rochelle  
Kleinberg**, New York, NY (US)
- (73) Assignee: **JANSSEN PHARMACEUTICA NV**,  
Beerse (BE)
- (\*) Notice: This patent is subject to a terminal dis-  
claimer.
- (\*\*) Term: **15 Years**
- (21) Appl. No.: **29/617,294**
- (22) Filed: **Sep. 13, 2017**
- (51) **LOC (12) Cl.** ..... **29-02**
- (52) **U.S. Cl.**  
USPC ..... **D24/110; D24/114**
- (58) **Field of Classification Search**  
USPC ..... D24/108, 110, 112-114  
CPC . A61M 15/08; A61M 2210/0618; A61F 5/08;  
A61B 2018/00327  
See application file for complete search history.

D433,124 S *	10/2000	Sheppard	.....	D24/110
D471,973 S *	3/2003	Gillissen	.....	D24/110
D544,957 S *	6/2007	Bloc	.....	D24/110
D610,253 S *	2/2010	Kawamura	.....	D24/114
D610,678 S *	2/2010	Kawamura	.....	D24/114
D624,641 S *	9/2010	Boclet	.....	D24/110
D697,201 S *	1/2014	Coghill	.....	D24/110
D699,342 S *	2/2014	Suzuki	.....	D24/114
9,821,127 B2 *	11/2017	Barber	.....	A61M 11/006
2010/0095957 A1 *	4/2010	Corbacho	.....	A61M 15/0028 128/200.14
2013/0056557 A1 *	3/2013	Felder	.....	A61M 15/08 239/302
2014/0263456 A1 *	9/2014	Barber	.....	A61M 15/0025 222/153.13
2014/0263457 A1 *	9/2014	Barber	.....	A61M 15/08 222/153.13

\* cited by examiner

*Primary Examiner* — Karen E Kearney  
*Assistant Examiner* — Lilyana Bekic

(57) **CLAIM**

The ornamental design for an intranasal drug delivery device, as shown and described.

**DESCRIPTION**

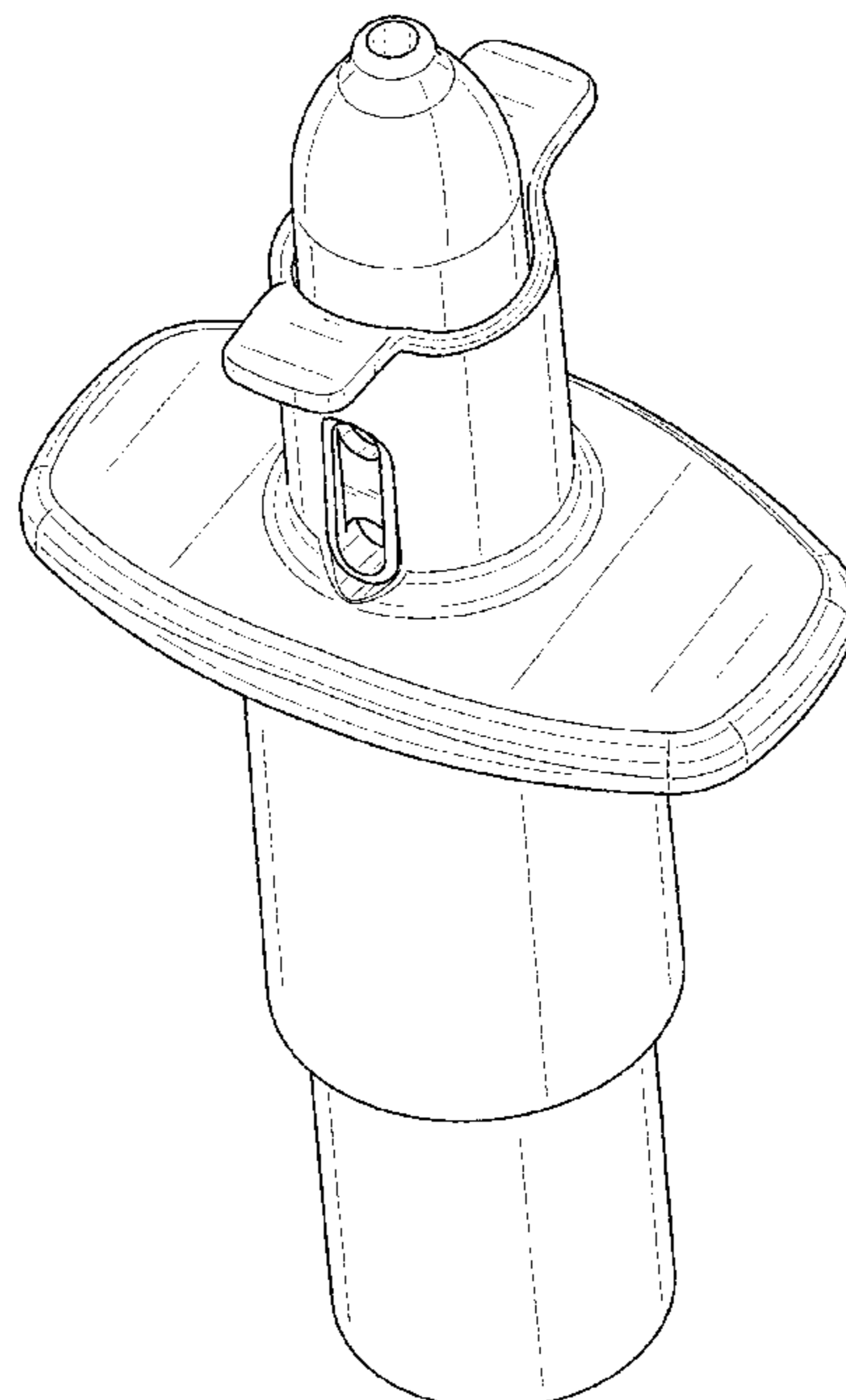
FIG. 1 is a top perspective view of an intranasal drug delivery device, showing our new design; FIG. 2 is a front elevational view thereof; FIG. 3 is a rear elevational view thereof; FIG. 4 is a right side elevational view thereof; FIG. 5 is a left side elevational view thereof; FIG. 6 is a top plan view thereof; FIG. 7 is a bottom plan view thereof; and, FIG. 8 is a bottom perspective view thereof.

**1 Claim, 7 Drawing Sheets**

(56) **References Cited**

**U.S. PATENT DOCUMENTS**

D308,100 S *	5/1990	Bishop	.....	D24/110
D401,323 S *	11/1998	Ritsche	.....	D24/110
D433,123 S *	10/2000	Sheppard	.....	D24/110



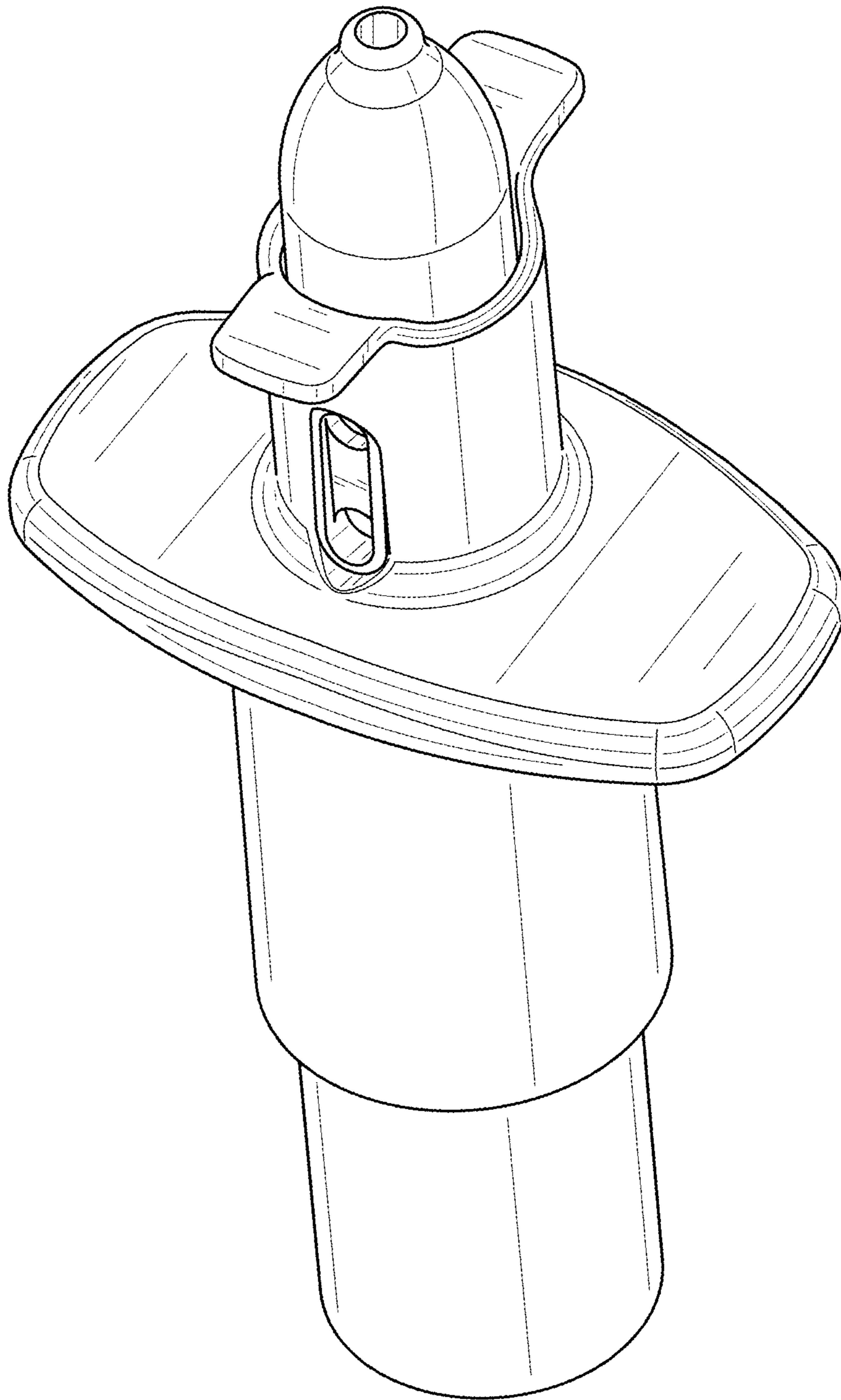


FIG. 1

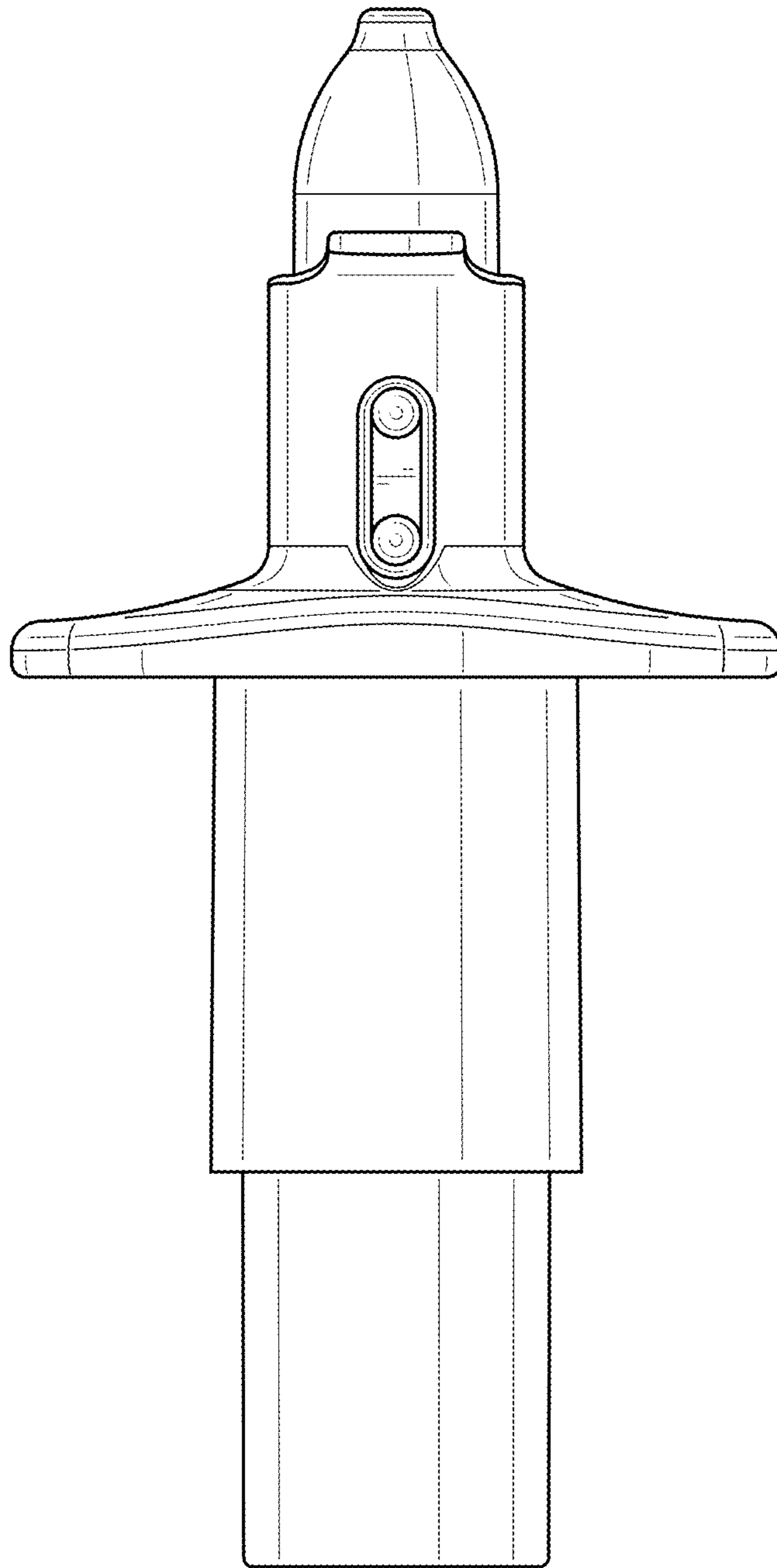


FIG. 2

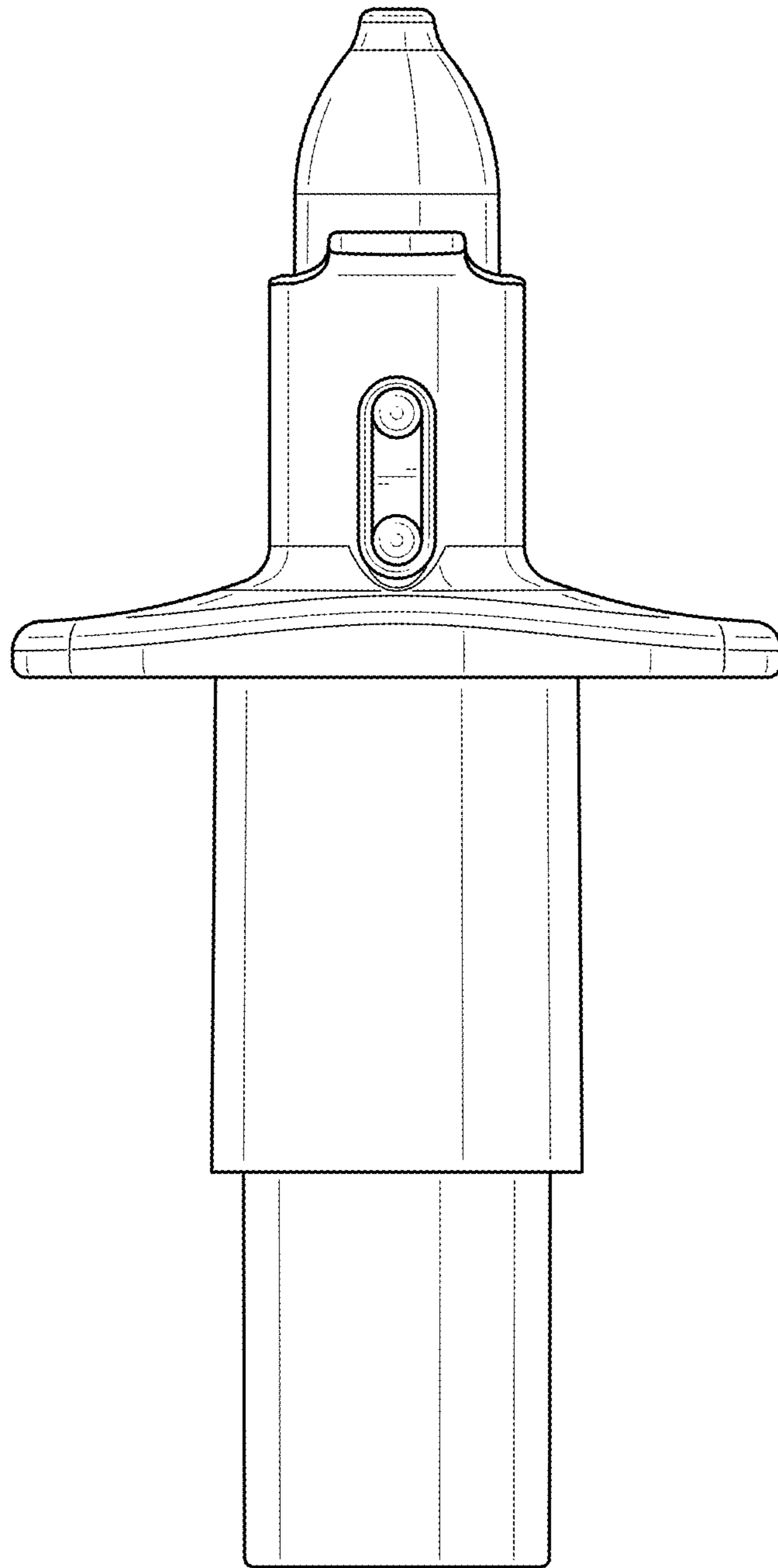


FIG. 3

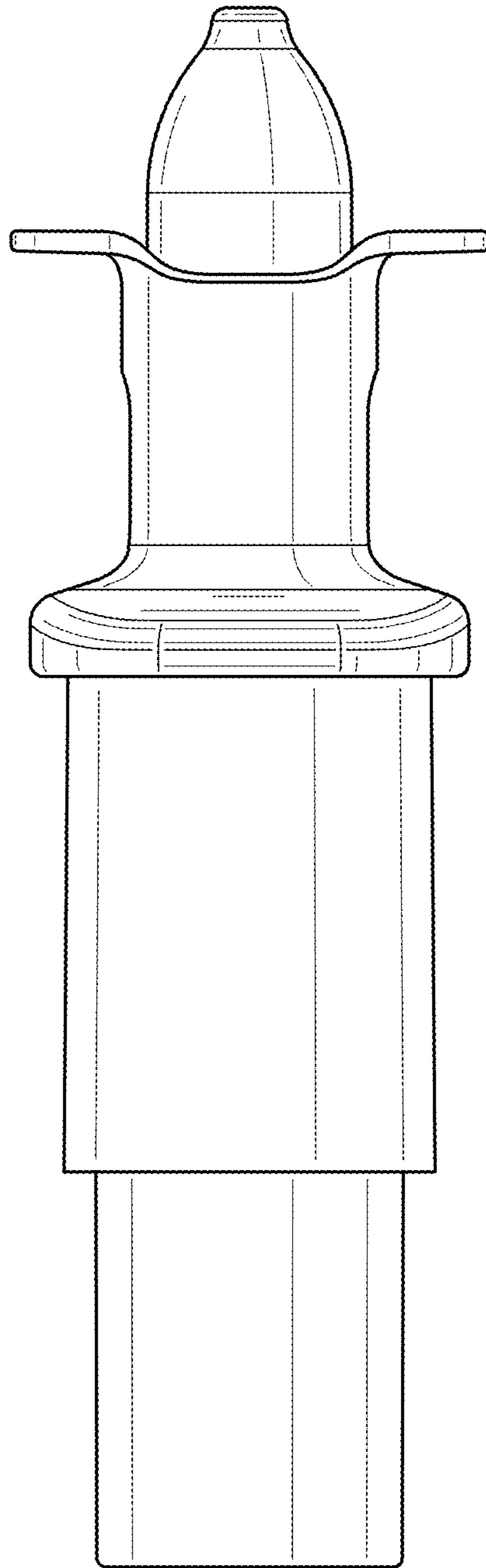


FIG. 4

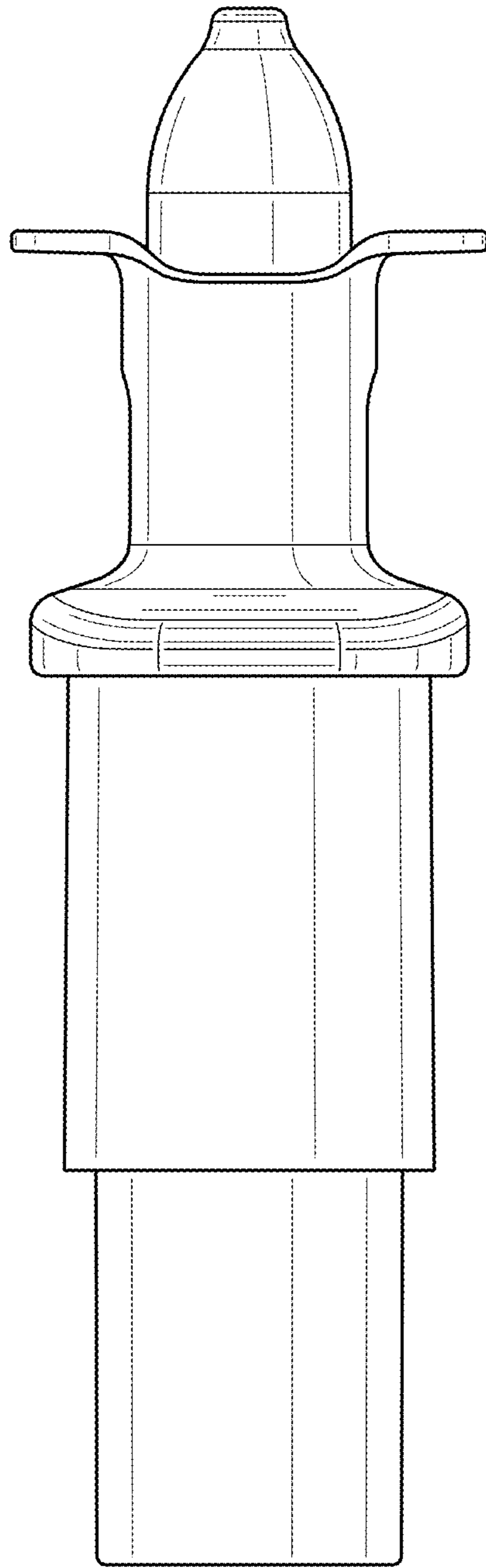


FIG. 5

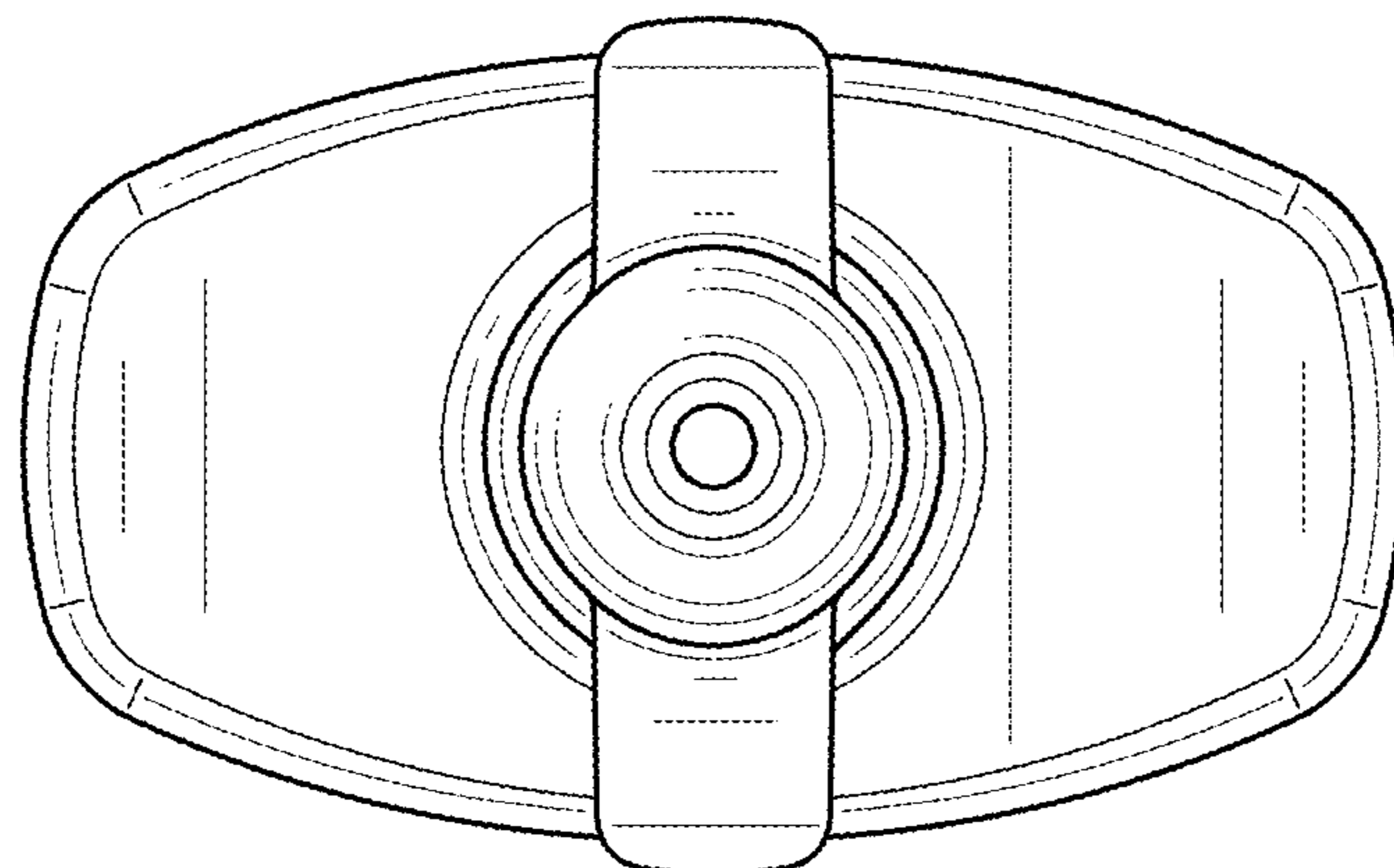


FIG. 6

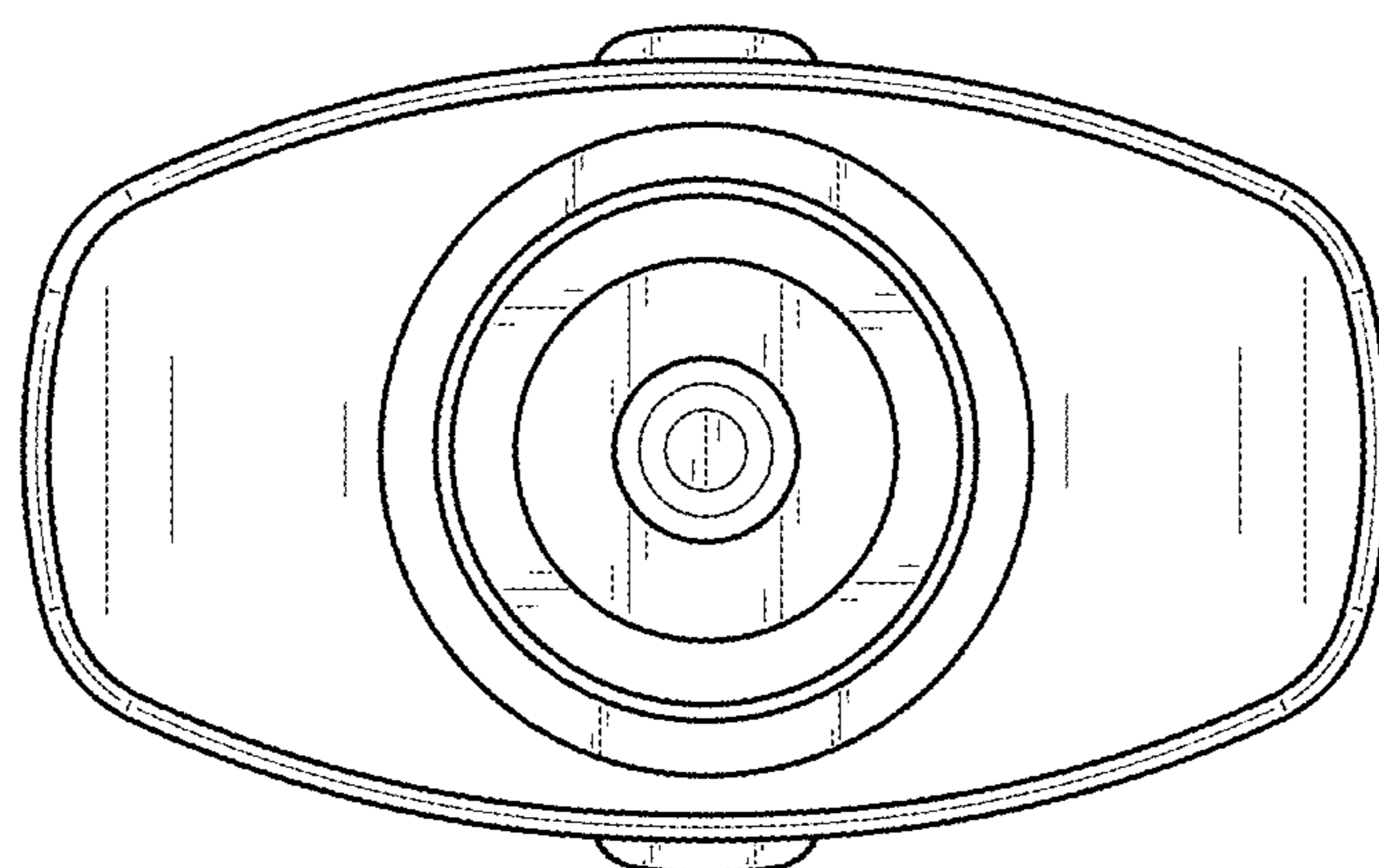


FIG. 7



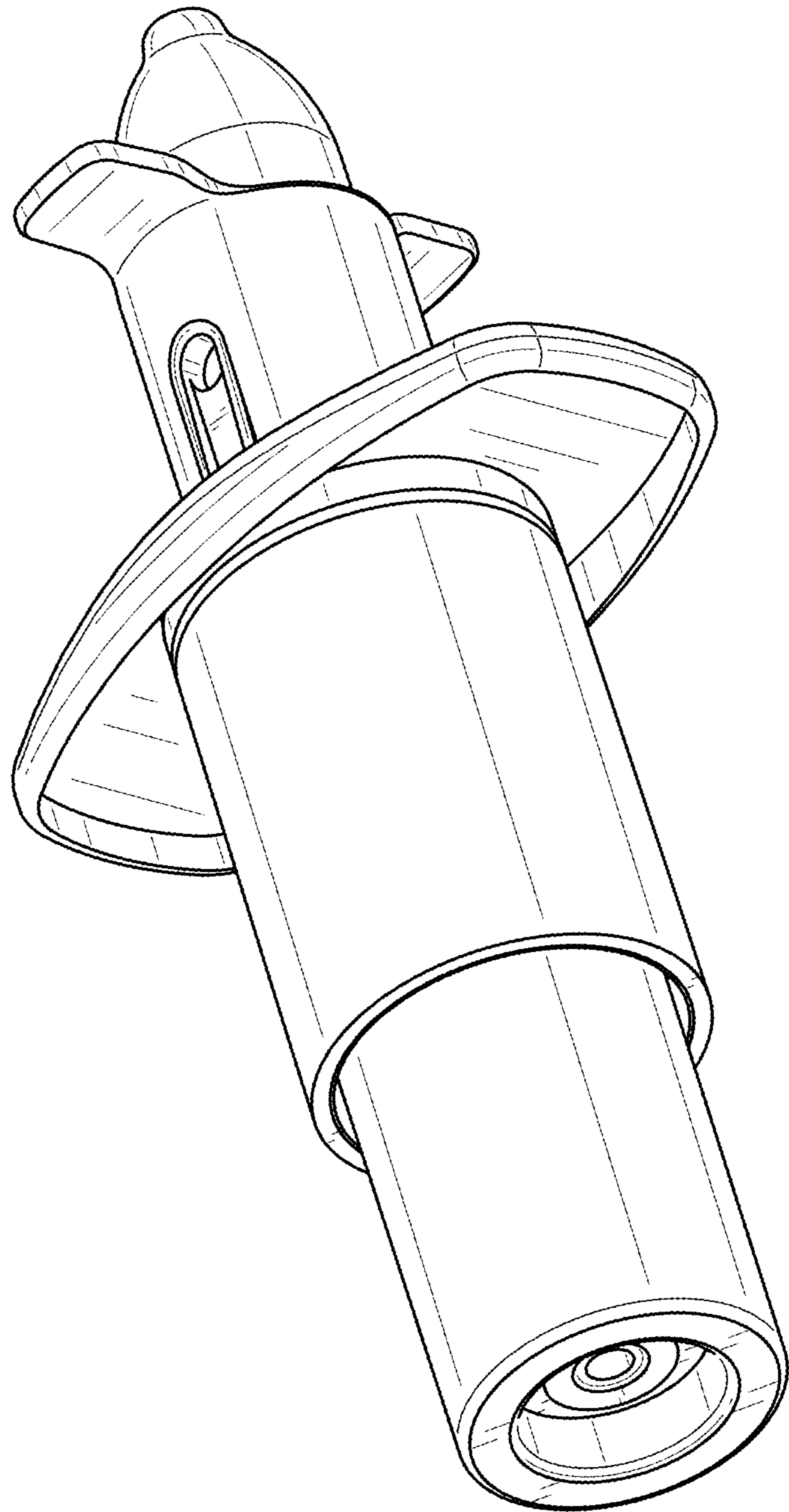


FIG. 8