



US00D860434S

(12) **United States Design Patent**
Orozco

(10) **Patent No.:** **US D860,434 S**

(45) **Date of Patent:** **** Sep. 17, 2019**

(54) **CEILING FAN BLADE ASSEMBLY**

(71) Applicant: **Sergio Orozco**, New York, NY (US)

(72) Inventor: **Sergio Orozco**, New York, NY (US)

(**) Term: **15 Years**

(21) Appl. No.: **29/632,065**

(22) Filed: **Jan. 4, 2018**

(51) **LOC (12) Cl.** **23-03**

(52) **U.S. Cl.**
USPC **D23/414**

(58) **Field of Classification Search**
USPC D23/370–385, 411–414; D26/59, 85, 86,
D26/89, 90
CPC F04D 25/088; F04D 29/38; F04D 29/384;
F04D 29/386; F21V 33/0096
See application file for complete search history.

(56) **References Cited**

U.S. PATENT DOCUMENTS

1,377,328	A *	5/1921	Eggerth	F03D 7/0224
					416/53
4,064,427	A *	12/1977	Hansen	F21S 8/065
					362/96
D279,293	S *	6/1985	Sutz	D15/1
5,528,469	A *	6/1996	Todd, Jr.	F04D 25/088
					362/216
D639,415	S *	6/2011	Dag	D23/377
D703,805	S *	4/2014	Masciarella	D23/414
D715,904	S *	10/2014	Tate	D23/387

D777,312	S *	1/2017	Badarello	D23/377
D785,155	S *	4/2017	Wang	D23/377
D797,274	S *	9/2017	Wang	D23/411
D813,370	S *	3/2018	Li	D23/377
D816,826	S *	5/2018	Johnson	D23/377
2018/0172014	A1 *	6/2018	Johnson	F04D 25/088

* cited by examiner

Primary Examiner — Cathron C Brooks

Assistant Examiner — Sharon S Oum

(74) *Attorney, Agent, or Firm* — Muncy, Geissler, Olds & Lowe, P.C.

(57) **CLAIM**

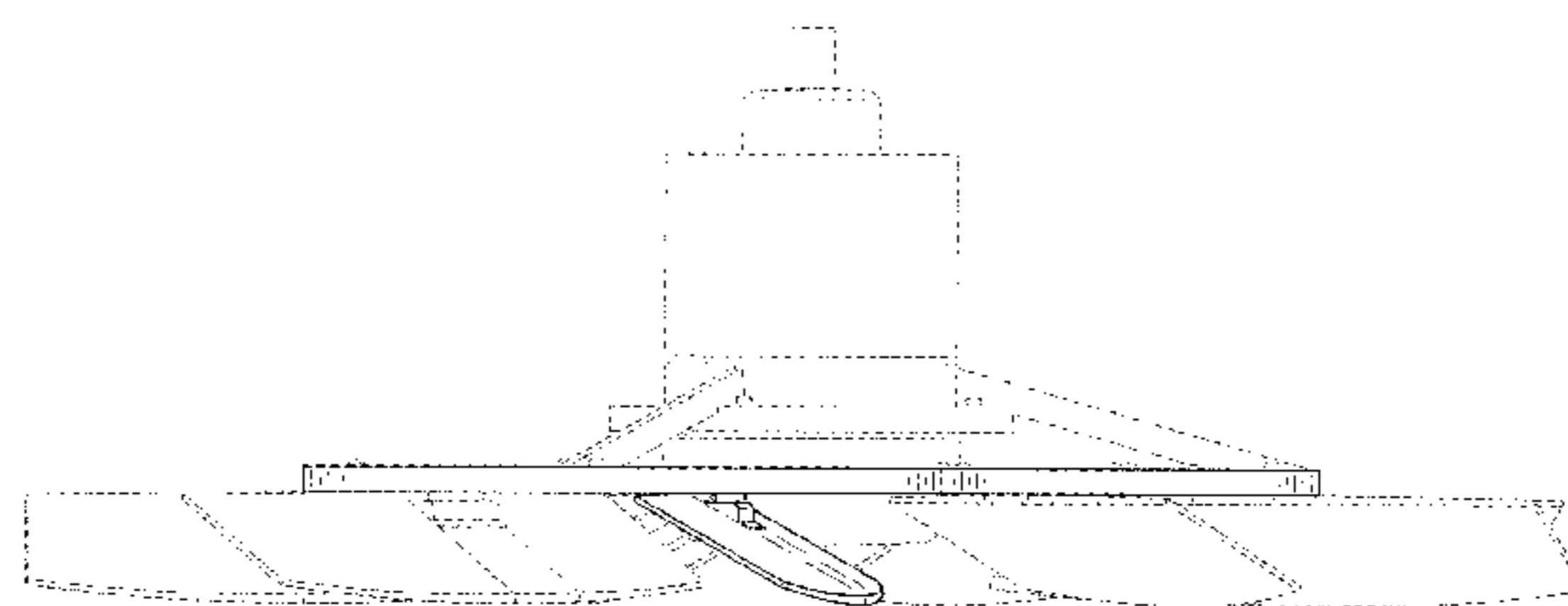
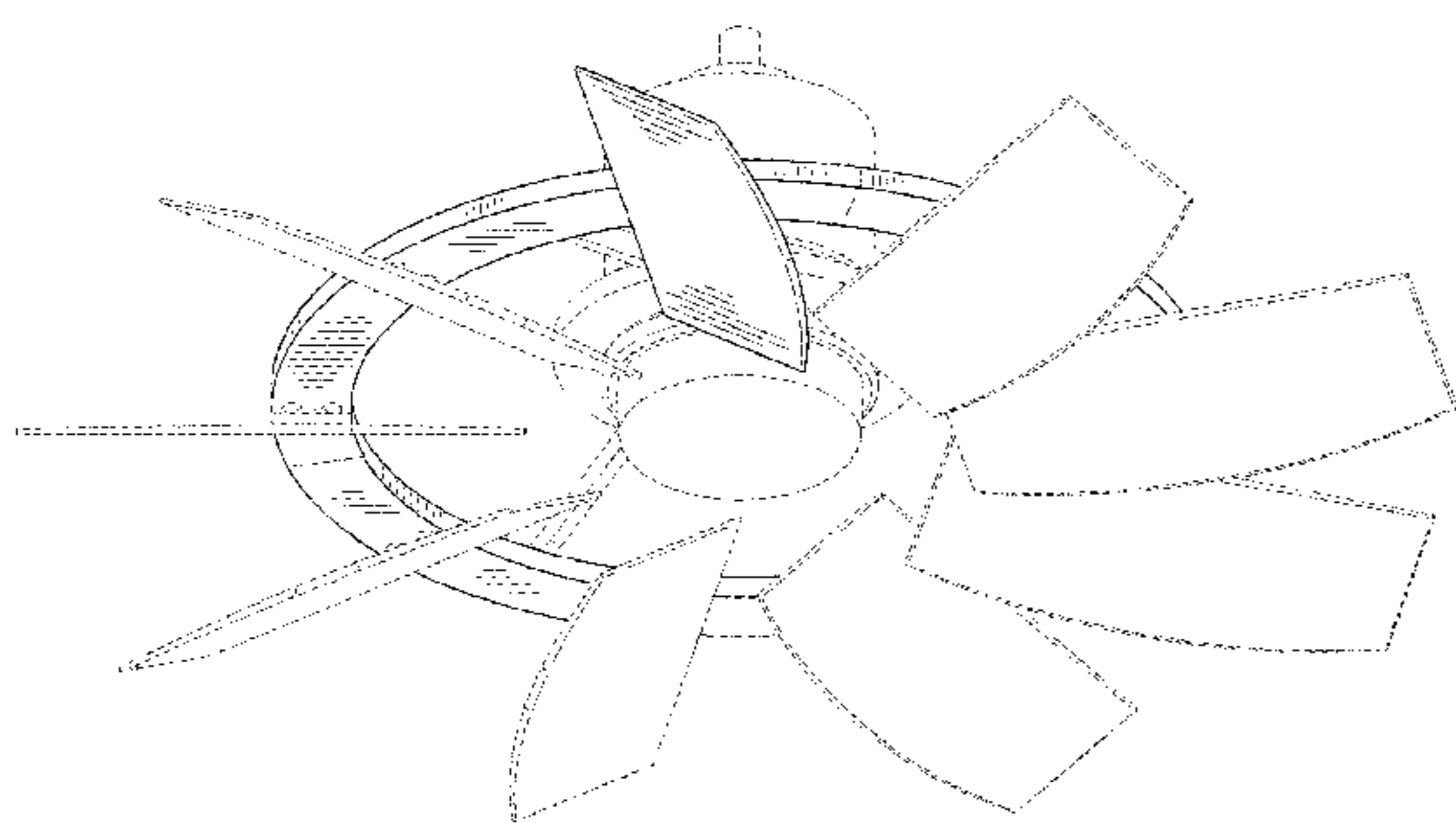
The ornamental design for a ceiling fan blade assembly, as shown and described.

DESCRIPTION

FIG. 1 is a perspective view of a ceiling fan blade assembly, showing the new design;
FIG. 2 is a front elevational view thereof;
FIG. 3 is an enlarged front elevational view of a portion thereof;
FIG. 4 is a rear elevational view thereof;
FIG. 5 is a left side elevational view thereof;
FIG. 6 is a right side elevational view thereof;
FIG. 7 is a top plan view thereof; and,
FIG. 8 is a bottom plan view thereof.

The broken lines showing the ceiling fan are for environmental purposes only and form no part of the claimed design. The broken lines showing portions of the ceiling fan blade assembly form no part of the claimed design.

1 Claim, 8 Drawing Sheets



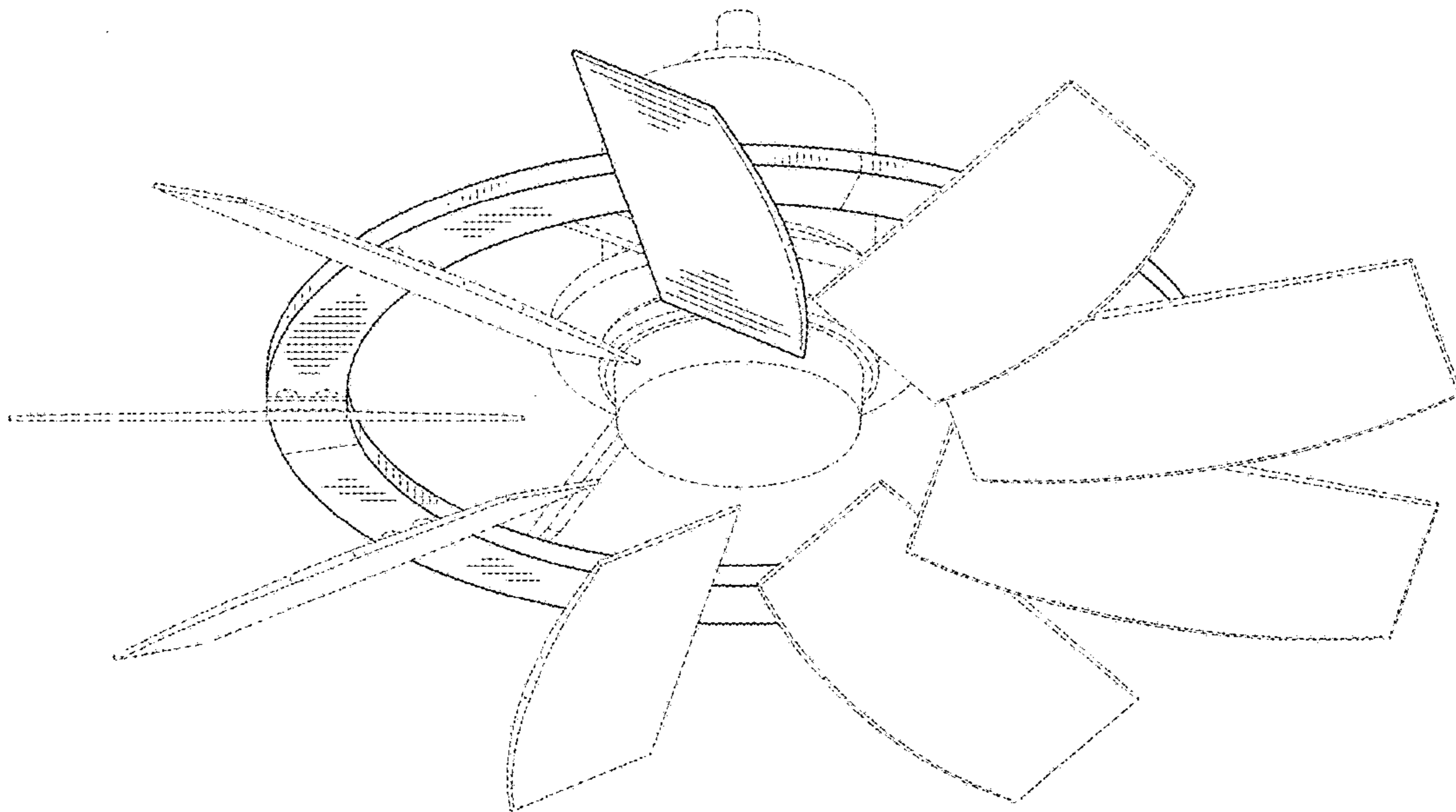


FIG. 1

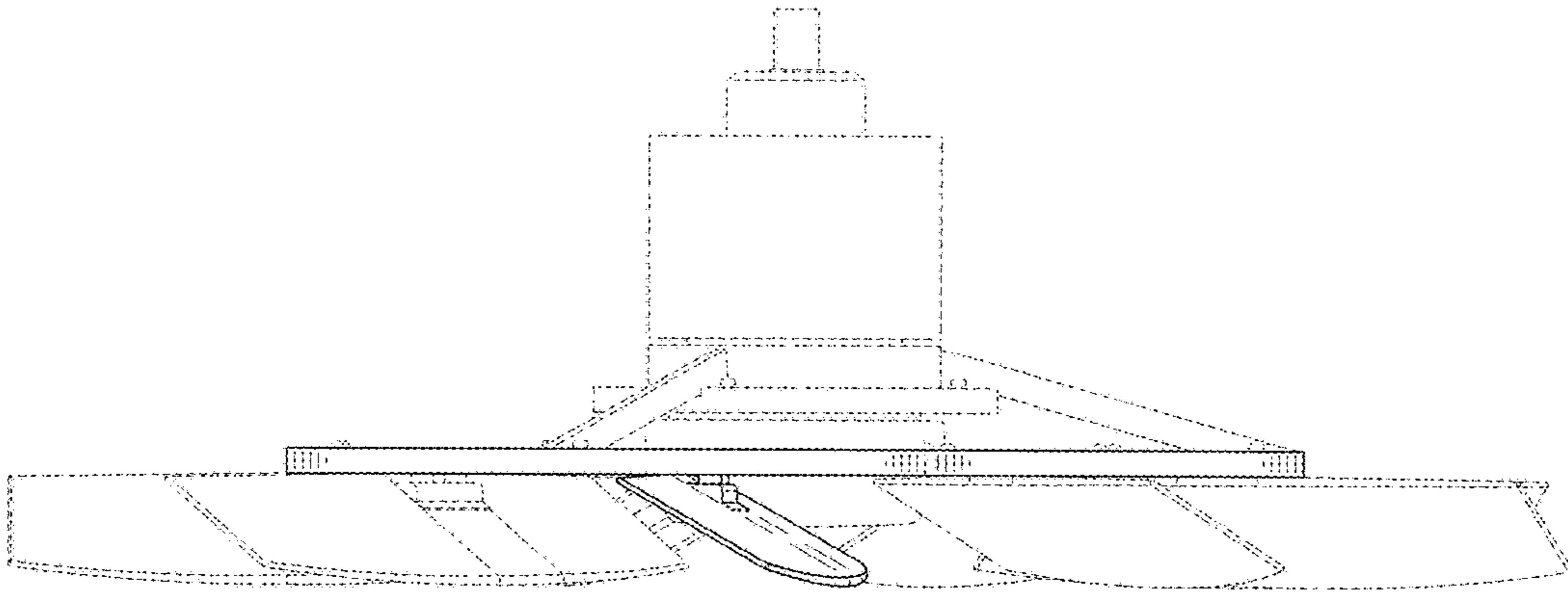


FIG. 2

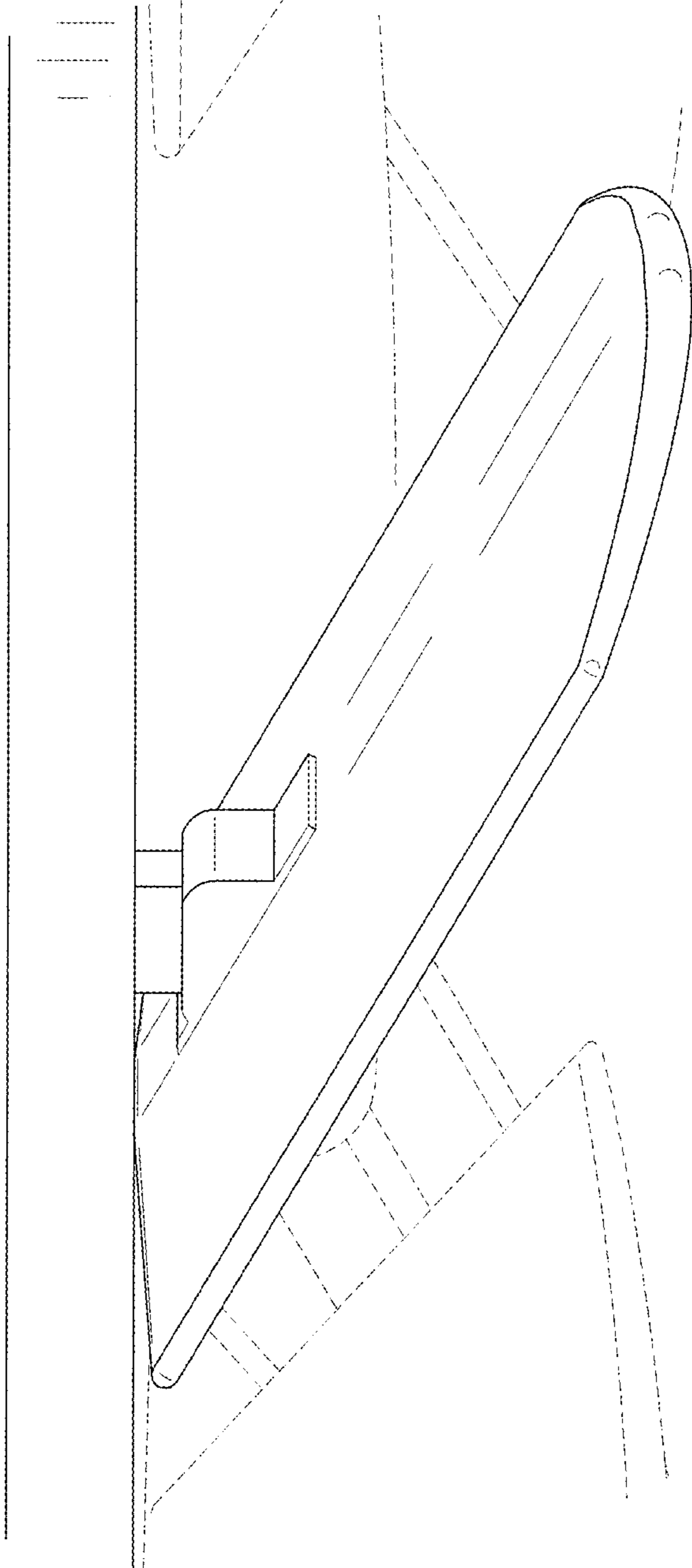


FIG. 3

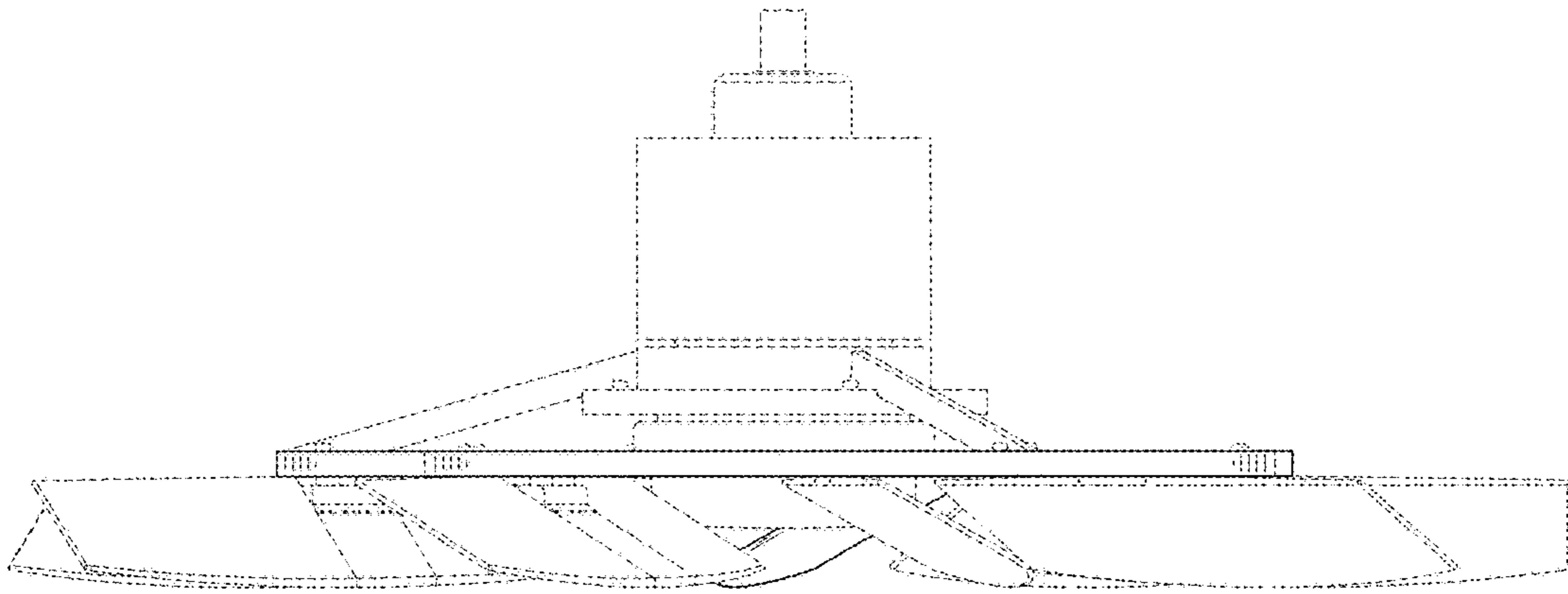


FIG. 4

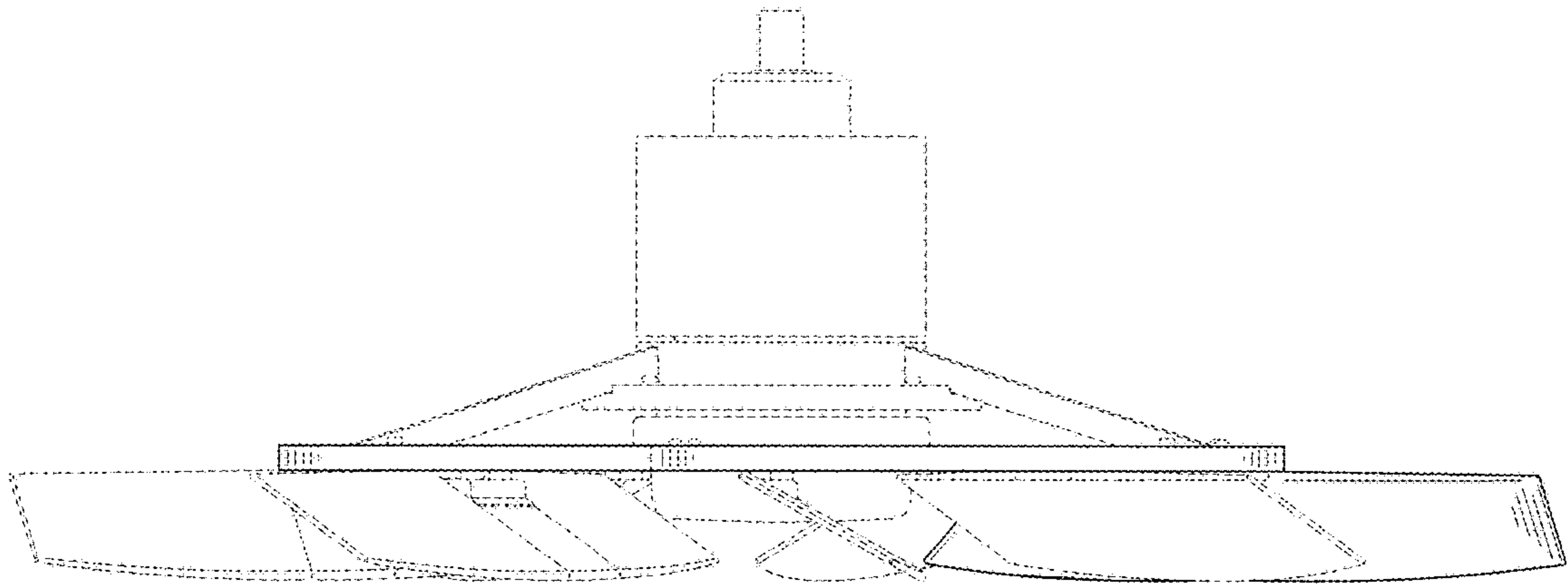


FIG. 5

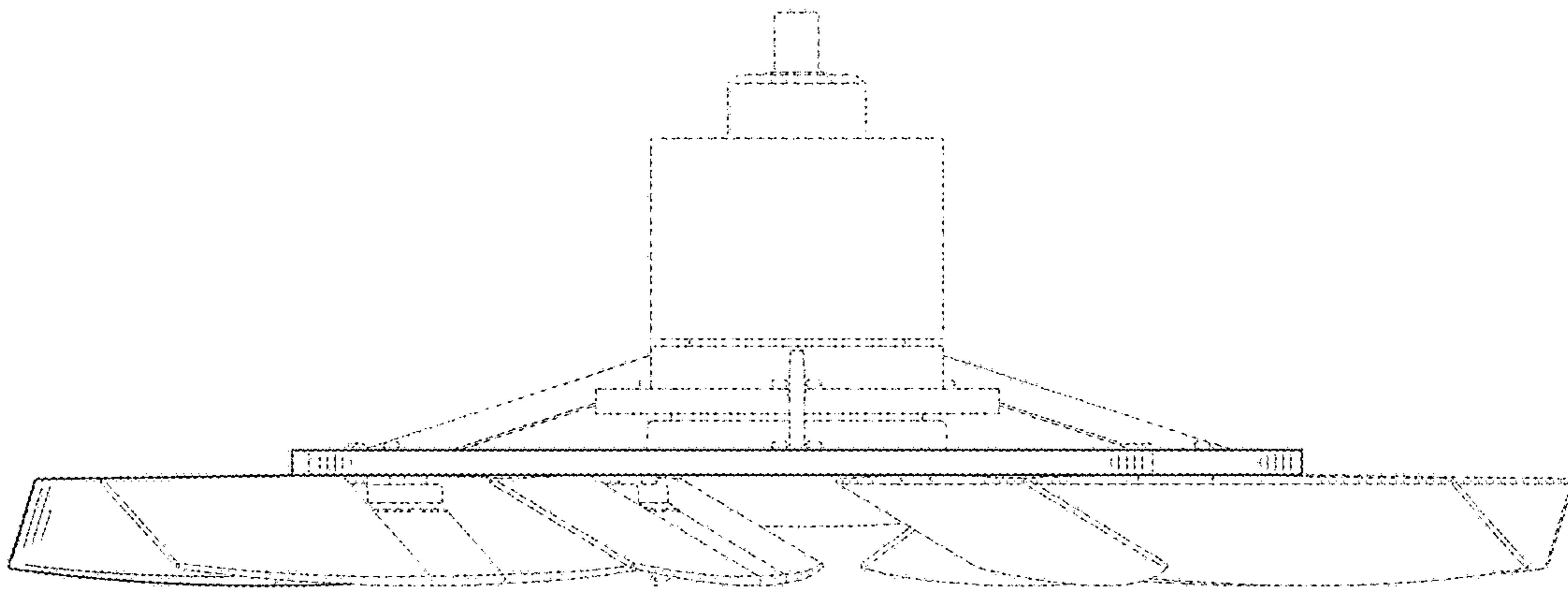


FIG. 6

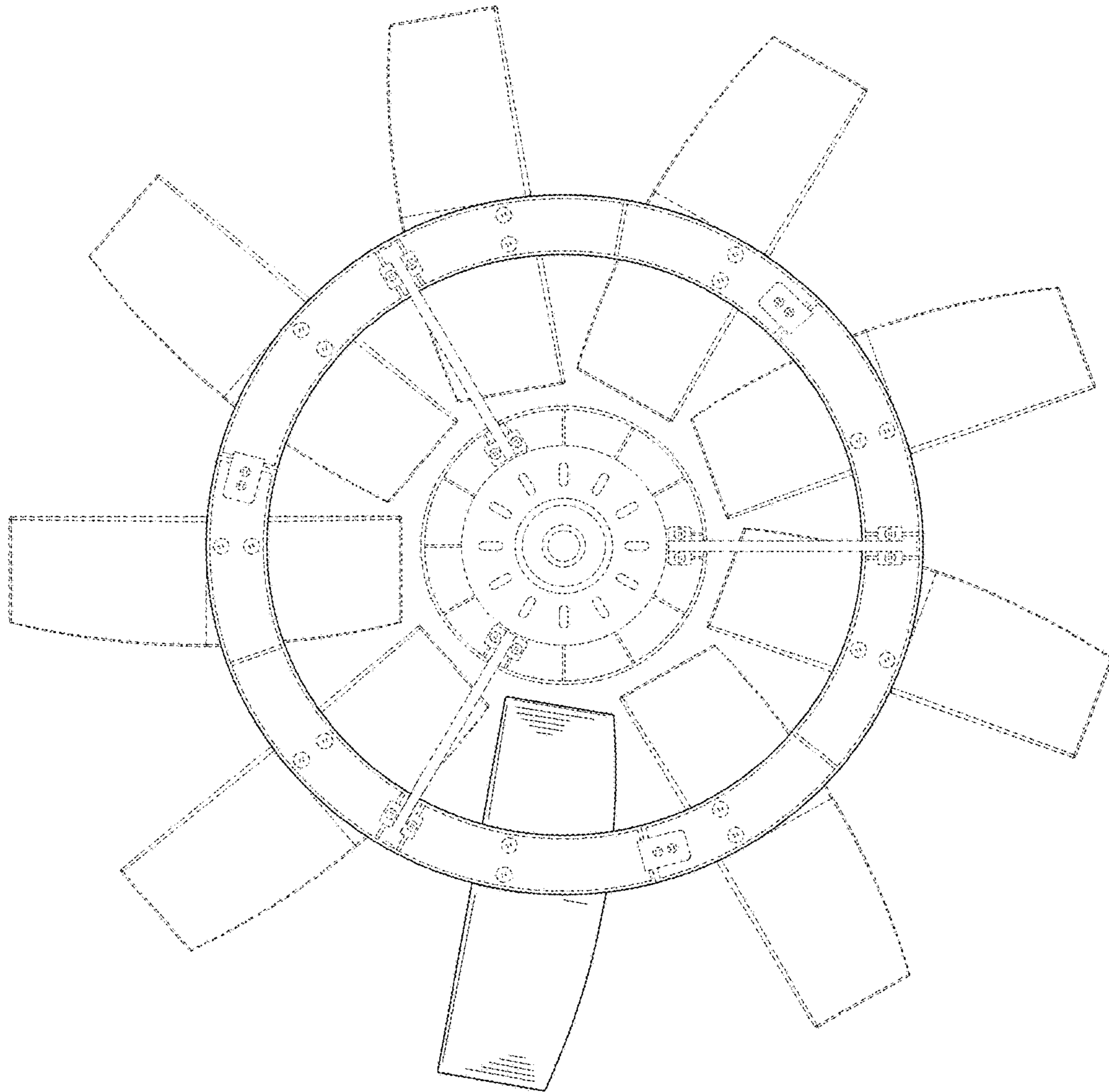


FIG. 7

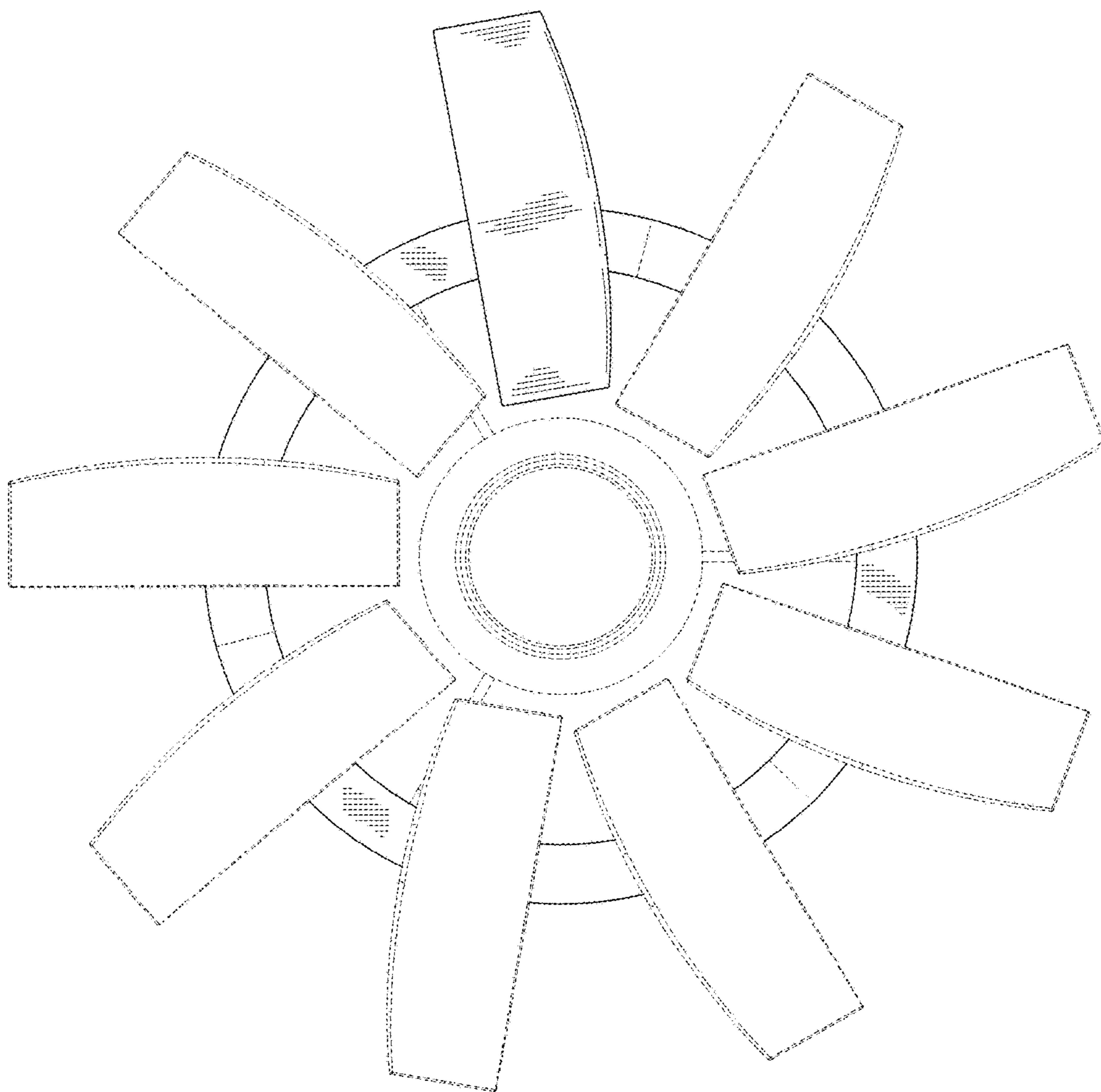


FIG. 8