

US00D860432S

(12) **United States Design Patent** (10) **Patent No.:** **US D860,432 S**
Badarello (45) **Date of Patent:** **** Sep. 17, 2019**

(54) **CANOPY FOR A CEILING FAN**
(71) Applicant: **HUNTER FAN COMPANY**,
Memphis, TN (US)
(72) Inventor: **Christophe Badarello**, Holly Springs,
MS (US)
(73) Assignee: **Hunter Fan Company**, Memphis, TN
(US)

D367,940 S * 3/1996 Dolan D26/149
D376,008 S 11/1996 Chan
D384,737 S 10/1997 Gee, II
D385,956 S * 11/1997 Doughty D23/259
D387,149 S 12/1997 Tsuji
D390,945 S * 2/1998 Pickett D23/377
D399,554 S 10/1998 Tsuji et al.
D409,742 S 5/1999 Yang
5,899,663 A * 5/1999 Feder F04D 29/646
416/5

(Continued)

(**) Term: **15 Years**

OTHER PUBLICATIONS

(21) Appl. No.: **29/634,059**

<http://www.kingoffans.com/#/products/ceilingFans>, Cameron II,
accessed Mar. 8, 2016.

(22) Filed: **Jan. 18, 2018**

<http://ceilingfans.emerson.com/shop/en/fan/fans-s-emerson-fans/fans-s-traditional/designer-fan-p-cf755>, Designer, CF755ORB, accessed
Mar. 8, 2016.

Related U.S. Application Data

http://www.cens.com/cens/html/en/product/product_main_77129.html, Aquarius-champagne light series, AC413, accessed Mar. 8,
2016.

(62) Division of application No. 29/557,368, filed on Mar.
8, 2016, now Pat. No. Des. 816,676.

(51) **LOC (12) Cl.** **23-03**

(Continued)

(52) **U.S. Cl.**
USPC **D23/411**

(58) **Field of Classification Search**
USPC D23/249, 252, 254, 370-385, 411-414;
D26/51, 59, 67, 72, 85, 88-90, 113, 118,
D26/120, 124, 138; D8/350, 330-331,
D8/352-353; D6/524, 550
CPC F04D 25/088; F21V 33/0096
See application file for complete search history.

Primary Examiner — Cathron C Brooks

Assistant Examiner — Sharon S Oum

(74) *Attorney, Agent, or Firm* — McGarry Bair PC

(57) **CLAIM**

The ornamental design for a canopy for a ceiling fan, as
shown and described.

(56) **References Cited**

DESCRIPTION

U.S. PATENT DOCUMENTS

D50,247 S * 1/1917 Polacheck D26/81
D77,096 S 1/1927 Jaffe et al.
D107,877 S * 1/1938 Levy D26/89
D312,868 S 12/1990 Rezek
D322,475 S 12/1991 Markwardt et al.
D323,028 S 1/1992 Holbrook
D329,894 S 9/1992 Scofield
5,151,011 A 9/1992 Rezek
5,349,513 A * 9/1994 Taylor, III F21S 8/04
362/147
D363,983 S * 11/1995 DiPasquale D23/411

FIG. 1 is a bottom perspective view of a canopy for a ceiling
fan;

FIG. 2 is a top perspective view thereof, but shown without
the ceiling fan environment;

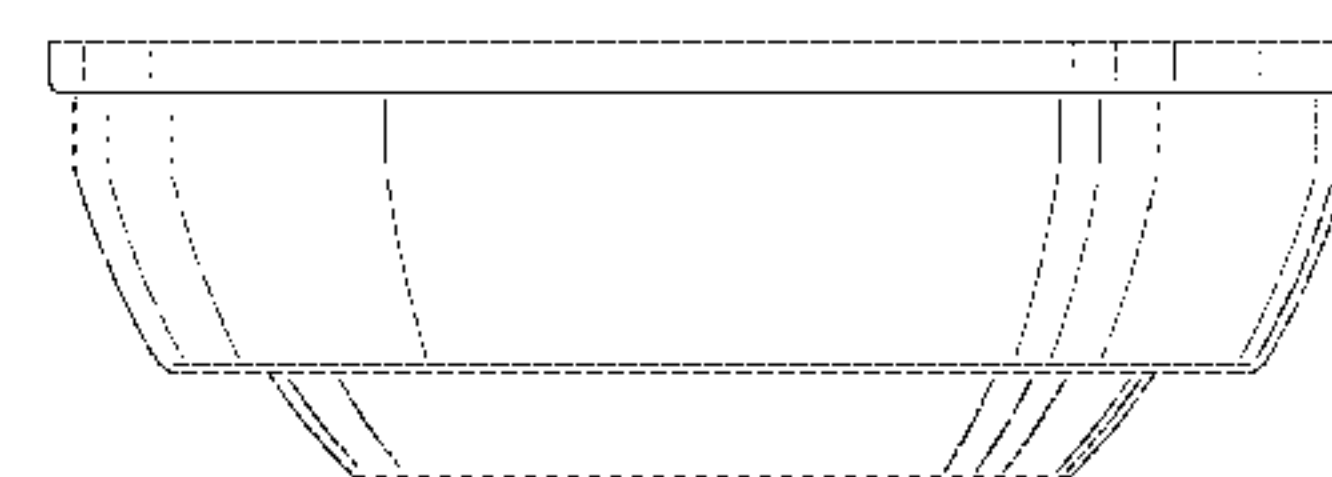
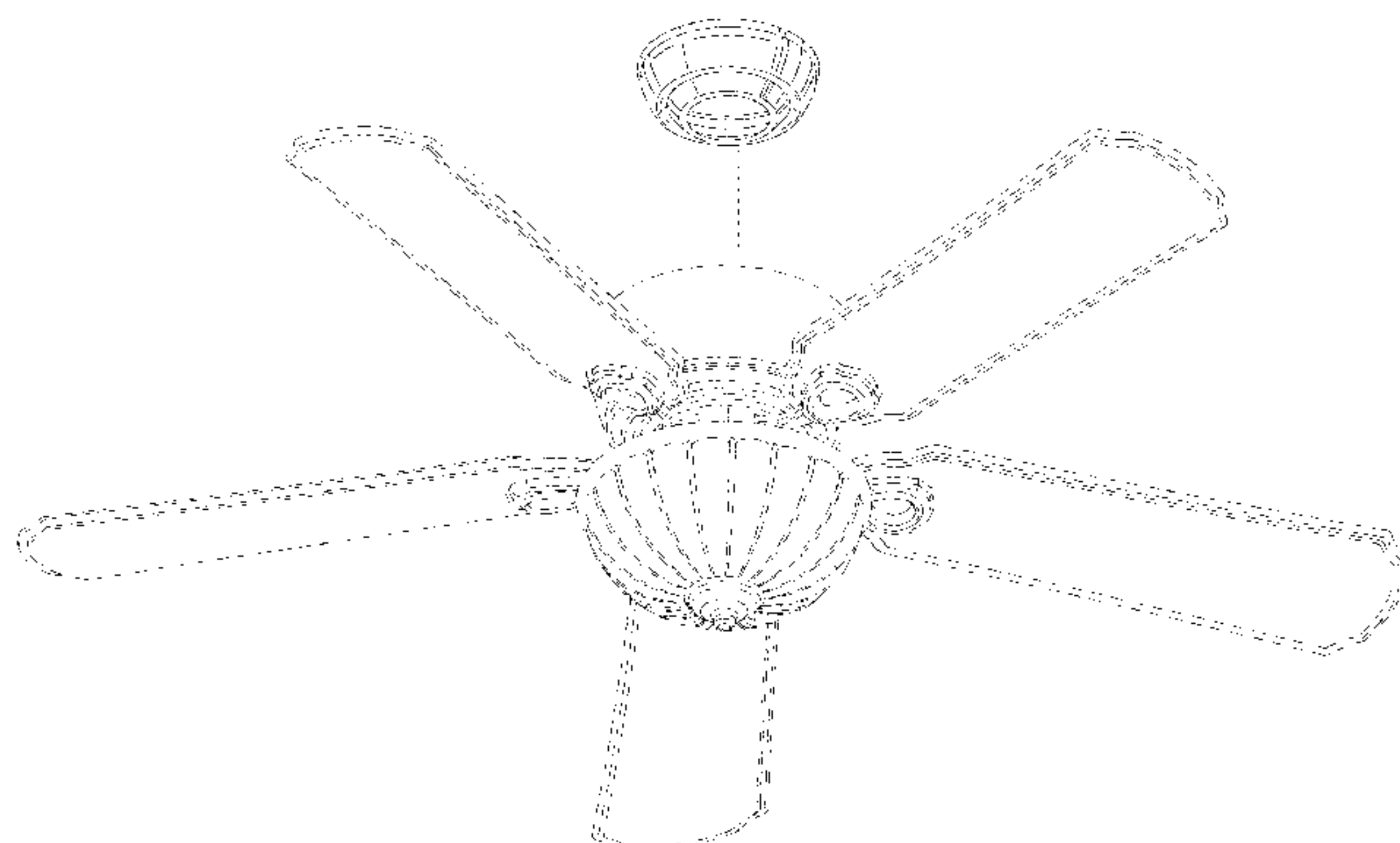
FIG. 3 is a top view thereof;

FIG. 4 is a front side view thereof, with rear, right, and left
side views being mirror images thereof; and,

FIG. 5 is a bottom view thereof.

The broken lines illustrate environmental structure and form
no part of the claimed design.

1 Claim, 3 Drawing Sheets



(56)

References Cited

U.S. PATENT DOCUMENTS

D421,115	S	*	2/2000	Gee, II	D23/377
D428,982	S		8/2000	Oldenburg		
D428,984	S		8/2000	Lee		
D434,844	S		12/2000	Williams		
D442,315	S	*	5/2001	Schaefer	D26/85
6,234,757	B1	*	5/2001	Pearce	F04D 25/088 416/244 R
D445,940	S	*	7/2001	Davis, Jr.	D26/81
D446,851	S		8/2001	Lee		
D451,593	S		12/2001	Lee		
D461,985	S	*	8/2002	Fuchs	D6/550
D463,968	S	*	10/2002	LaPlume	D8/352
D477,068	S		7/2003	Hsieh		
D480,470	S	*	10/2003	Tsuji	D23/411
D484,587	S		12/2003	Bucher et al.		
D488,669	S		4/2004	Tse		
D513,166	S		12/2005	Huang		
D521,628	S		5/2006	Hidalgo		
D524,928	S		7/2006	Young		
D531,297	S	*	10/2006	Ertze	D23/377
D531,338	S		10/2006	Chen		
D532,103	S		11/2006	Pickett		
D534,678	S	*	1/2007	Hsu	D26/87
D541,930	S	*	5/2007	Pickett	D23/411
D543,710	S	*	6/2007	Krumpe	D6/323
D545,422	S		6/2007	Glasbrenner		
D548,320	S		8/2007	Frampton		
D555,779	S		11/2007	Bucher		
D557,791	S		12/2007	Cox		
D559,953	S	*	1/2008	Bickler	D23/229
D567,361	S		4/2008	Curtin		
D570,987	S	*	6/2008	Hidalgo	D23/377
D572,813	S		7/2008	Hidalgo		
D573,243	S	*	7/2008	Pan	D23/377
D575,902	S		8/2008	Ricereto		
D582,028	S	*	12/2008	Lai	D23/377
D585,974	S		2/2009	Curtin		
D600,339	S		9/2009	Searle		
D603,035	S	*	10/2009	Yang	D23/377
D620,581	S		7/2010	Chen		
D621,497	S		8/2010	Chen		
D632,381	S		2/2011	Davenport et al.		
D635,443	S	*	4/2011	Roberts, III	D6/330
D635,444	S	*	4/2011	Roberts, III	D8/330
D659,802	S		5/2012	McKeone		
D661,792	S		6/2012	VanOttent Tolman		
D663,829	S		7/2012	Allen et al.		
D678,752	S		3/2013	Sedwick		
D679,171	S		4/2013	Sedwick		
D679,797	S		4/2013	Chen		
D707,807	S		6/2014	Pan		
D713,722	S		9/2014	Miller		
D718,136	S		11/2014	Harrity		
D719,252	S		12/2014	Allen et al.		
D722,400	S	*	2/2015	Gilbert	D26/86
D741,988	S		10/2015	Pan		
D760,368	S		6/2016	Chen		
D762,296	S		7/2016	Badarello et al.		
9,605,687	B1	*	3/2017	Zauhar	F04D 29/646
9,664,197	B2		5/2017	Walker et al.		
D834,173	S	*	11/2018	Holmes	D23/411
2004/0115062	A1	*	6/2004	Pearce	F04D 25/088 416/244 R
2011/0031368	A1	*	2/2011	Wang	F24F 7/007 248/343
2017/0248148	A1	*	8/2017	Kohen	F21V 33/0092
2018/0172014	A1	*	6/2018	Johnson	F04D 25/088

OTHER PUBLICATIONS

<http://www.minkagroup.net/products/f556-bndw>, Contractor Plus, F556-BN/DW, accessed Mar. 8, 2016.

<http://www.kingoffans.com/#/products/ceilingFans>, Accubreeze, accessed Mar. 8, 2016.

<http://www.craftmade.com/Craftmade-CXL52AGBronze-Ceiling-Fan.HTM>, Craftmade—CXL52AG—CXL 52" Ceiling Fan in Aged Bronze Textured, CXL52AG, accessed Mar. 8, 2016.

<http://www.fanimation.com/products/index.php/fans/camhaven.html>, Camhaven, FP8095, accessed Mar. 8, 2016.

http://www.lowes.com/pd_451795-82939-40114_1z0vgaxZ1z140v4_?productId=50057207&pl=1, Harbor Breeze Classic 42-in White Downrod or Flush Mount Indoor/Outdoor Ceiling Fan, 451795, accessed Mar. 8, 2016.

<http://www.hunterpacific.com.au/typhoonM2.php>, Typhoon Mach 2, accessed Mar. 8, 2016.

<http://www.hunterpacific.com.au/revolution.php>, Revolution 2, accessed Mar. 8, 2016.

<http://www.craftmade.com/Craftmade-FA52BN5Nickel-Ceiling-Fan.HTM>, Craftmade—FA52BN5—5th Avenue 52" Ceiling Fan Blades Included in Brushed Nickel with Matte Opal Glass, FA52BN5, accessed Mar. 8, 2016.

<http://www.kingoffans.com/#/products/ceilingFans>, Palm Beach, accessed Mar. 8, 2016.

<http://www.craftmade.com/Craftmade-VE58SS3-Stainless-Steel-Ceiling-Fan.HTM>, Velocity, VE58SS3, Mar. 8, 2016.

<http://www.menards.com/main/lighting-ceiling-fans/ceiling-fans/shop-all-ceiling-fans/turn-of-the-century-reg-ashton-52-brushed-nickel-ceiling-fan/p-1444424531588-c-7488.htm?tid=7022888069991374527>, Turn of the Century® Ashton 52" Brushed Nickel Ceiling Fan, 35060, Mar. 8, 2016.

http://www.lowes.com/pd_593755-88854-LP8321LAZ_1z0vgaxZ1z140v4_?productId=50244893&pl=1, Harbor Breeze Platinum Aniva Bay 52-in Aged Bronze Downrod Mount Indoor/Outdoor Ceiling Fan with Remote (3-Blade) Energy Star, 593755, Mar. 8, 2016.

Thurman Wall Sconce, posted date unknown, site visited Oct. 30, 2017, Copyright© 1997-2017, Available from Internet, <<https://www.rejuvenation.com/catalog/products/thurman-wall-sconce>>.

3-Light Bowl Ceiling Fan Light Kit, date first reviewed Aug. 25, 2014, site visited Nov. 2, 2017, Copyright© 2002-2017, Available from Internet, <<https://www.wayfair.com/lighting/pdp/royal-pacific-3-light-bowl-ceiling-fan-light-kit-ryp1221.html>>.

Courtyard Ceiling Fan, posted date unknown, site visited Nov. 2, 2017, Copyright © 2017, <http://www.neimanmarcus.com/Courtyard-Ceiling-Fan/prod200030086/p.prod?utm_medium=affiliate&parentId=cat59040731_&ecid=NMAFShopStyle%20UK&CS_003=5630585&utm_source=NMAFShopStyle%20UK>.

Schlage Champagne Privacy Lever, date first available May 10, 2007, site visited Nov. 2, 2017, Copyright © 1996-2017, <https://www.amazon.com/Schlage-Champagne-Privacy-Andover-Nickel/dp/BOOOPHBE04/ref=sr_1_2?ie=UTF8&qid=1509657020&sr=8-2&keywords=schlage+champagne+satin+nickel+bed+and+bath+lever>.

LASCO 03-6021 Tub Spout/Shower Arm Flange, date first available Mar. 2, 2015, site visited Nov. 10, 2017, Copyright © 1996-2017, <https://www.amazon.com/LASCO-03-6021-Shower-Flange-Chrome/dp/BOOUA7I MDK/ref=sr_1_30?s=hi&ie=UTF8&qid=1510368252&sr=1-30&keywords=Delta+Chrome+Shower+Arm+Flange>.

How long can this shower curtain rod be extended to?, posted date Jan. 7, 2016, site visited Nov. 16, 2017, Copyright © 2017, Available from Internet, <<https://www.houzz.com/discussions/3598434/how-long-can-this-shower-curtain-rod-be-extended-to>>.

* cited by examiner

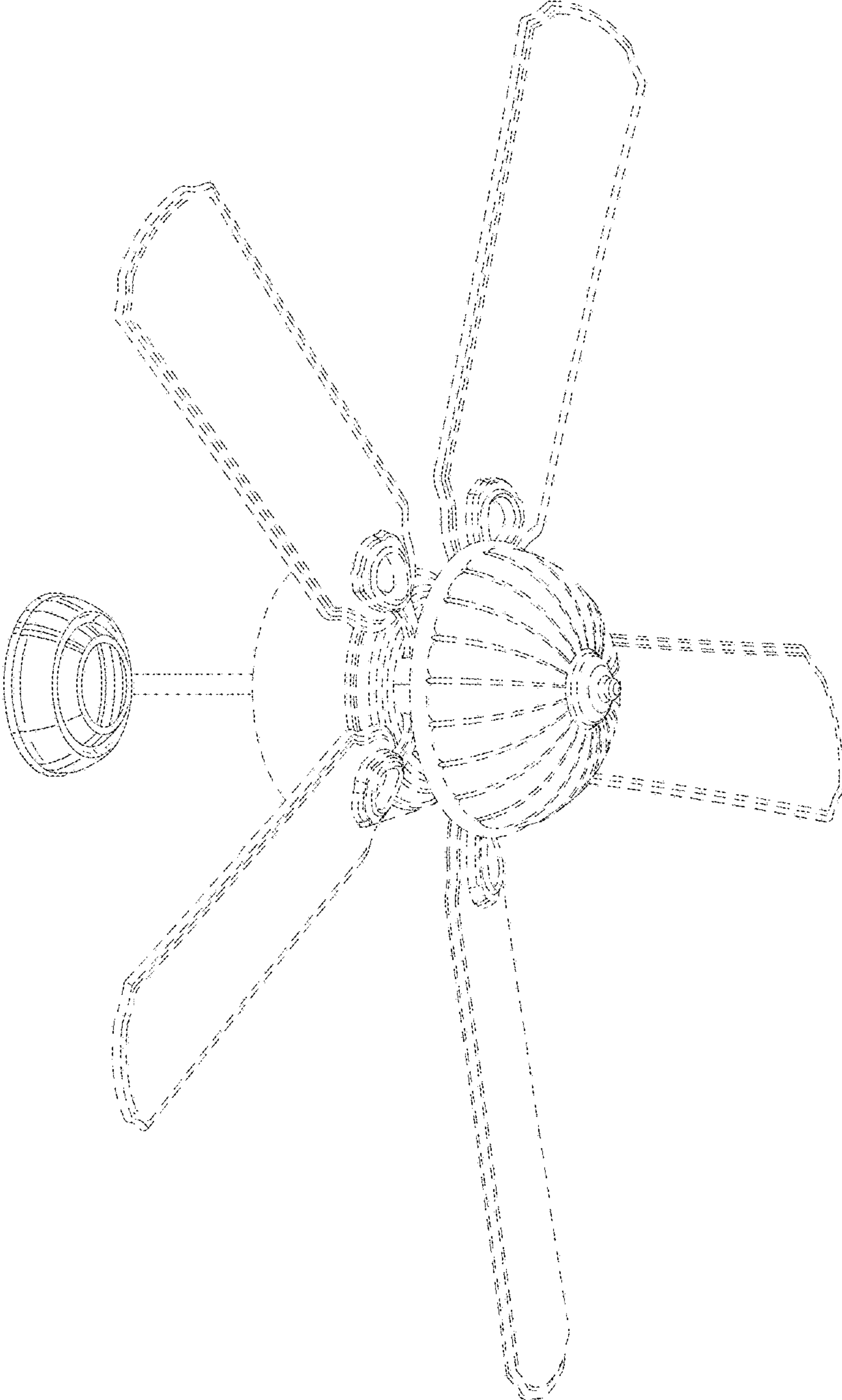


FIG.1

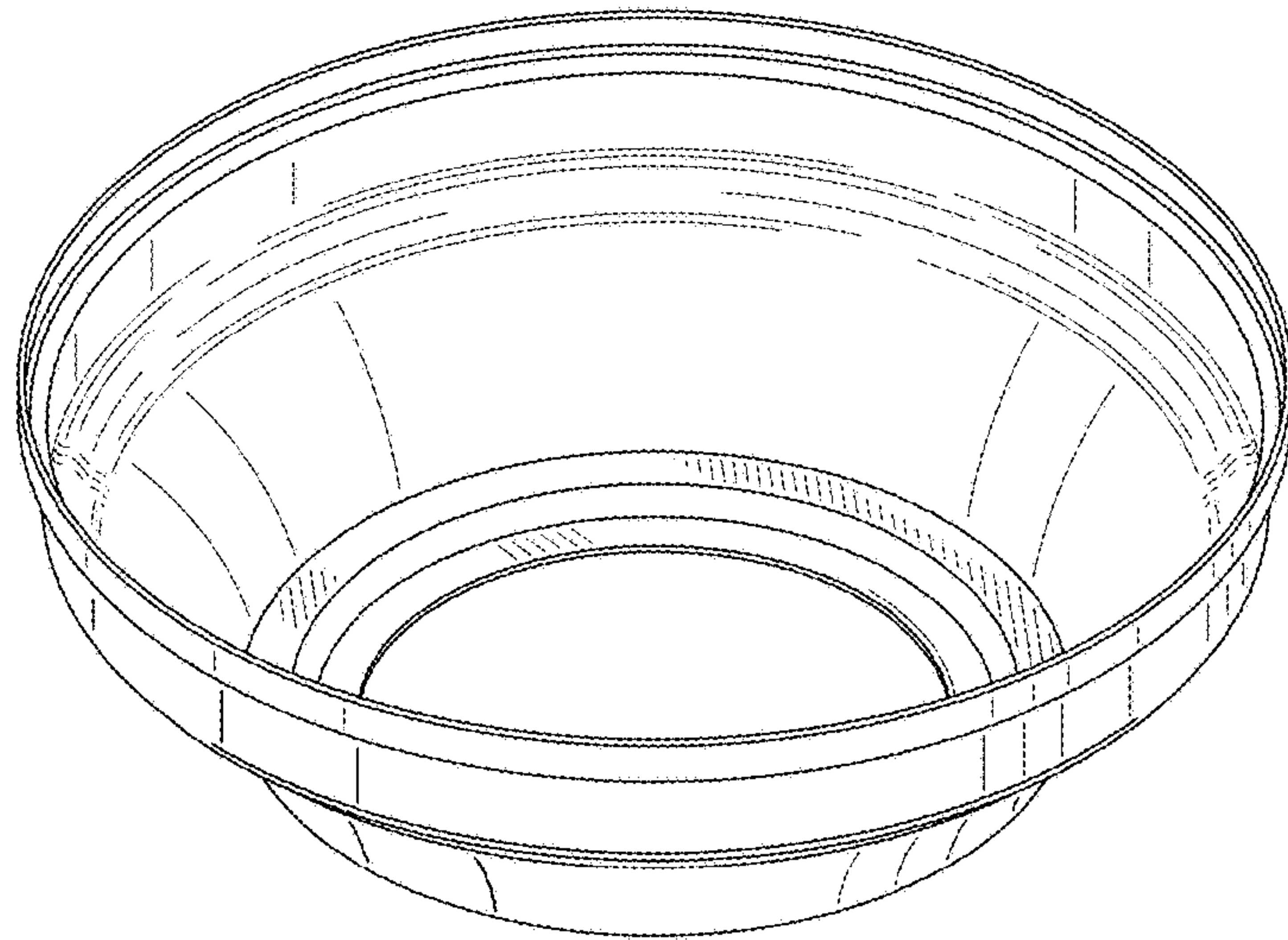


FIG. 2

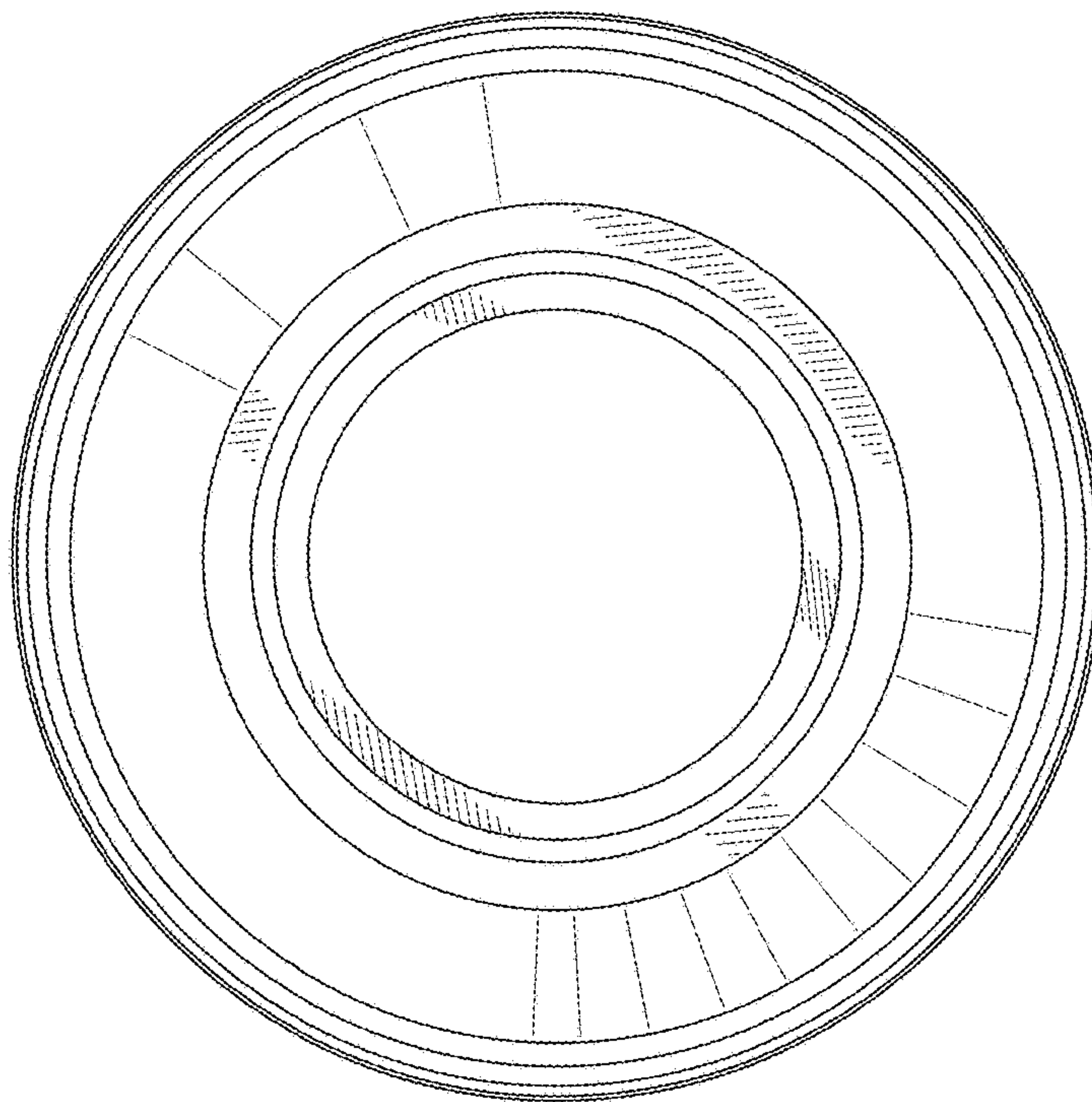


FIG. 3

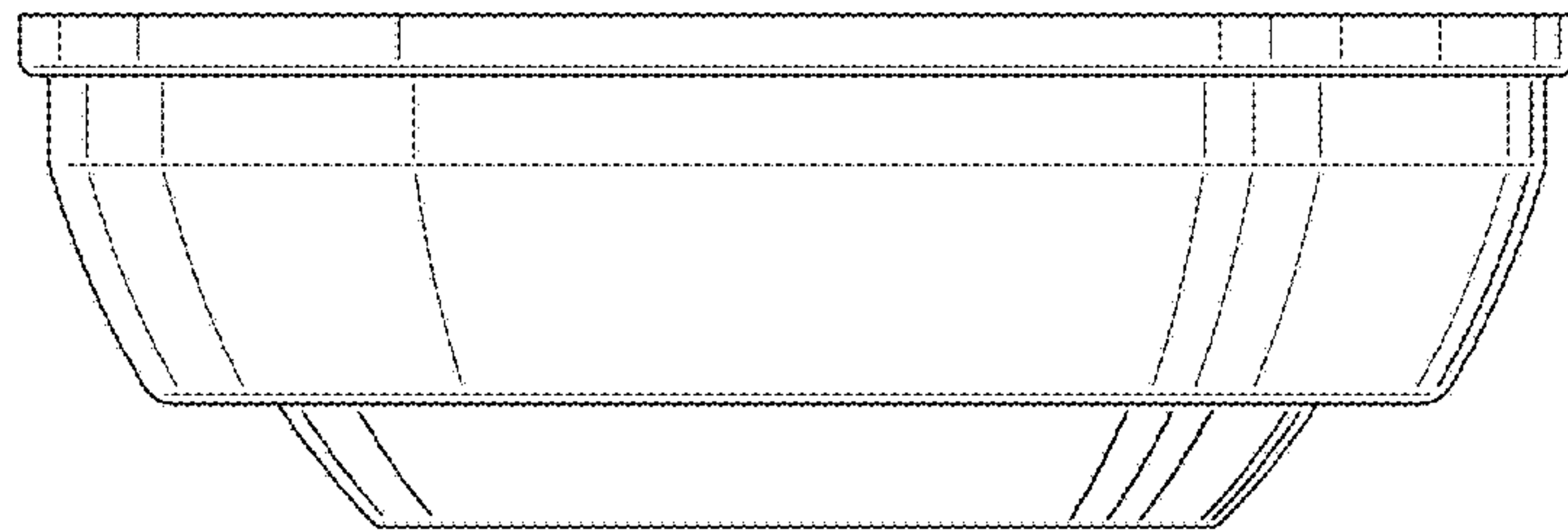


FIG. 4

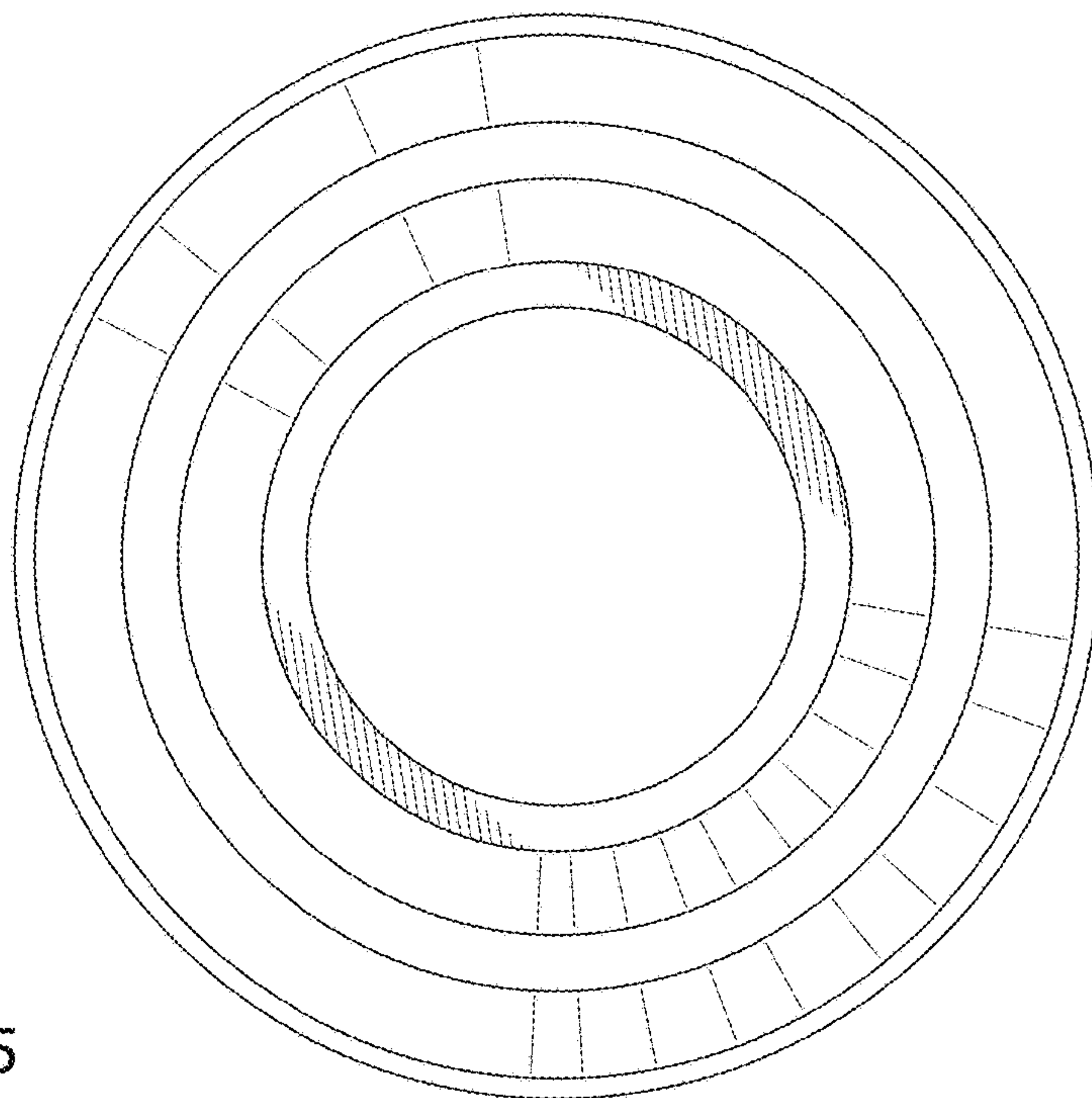


FIG. 5