



US00D860430S

(12) **United States Design Patent**  
**Orozco**

(10) **Patent No.:** **US D860,430 S**

(45) **Date of Patent:** **\*\* Sep. 17, 2019**

- (54) **CEILING FAN WITH LIGHT KIT**
- (71) Applicant: **Sergio Orozco**, New York, NY (US)
- (72) Inventor: **Sergio Orozco**, New York, NY (US)
- (\*\*) Term: **15 Years**
- (21) Appl. No.: **29/632,059**
- (22) Filed: **Jan. 4, 2018**
- (51) **LOC (12) Cl.** ..... **23-04**
- (52) **U.S. Cl.**  
USPC ..... **D23/377; D26/59**
- (58) **Field of Classification Search**  
USPC ..... D23/370–385, 411–414; D26/59, 85, 86,  
D26/89, 90  
CPC ..... F04D 25/088; F04D 29/38; F04D 29/384;  
F04D 29/386; F21V 33/0096  
See application file for complete search history.

(56) **References Cited**

**U.S. PATENT DOCUMENTS**

1,377,328	A *	5/1921	Eggerth	.....	F03D 7/0224 416/53
4,064,427	A *	12/1977	Hansen	.....	F21S 8/065 362/96
D279,293	S *	6/1985	Sutz	.....	D15/1
5,528,469	A *	6/1996	Todd, Jr.	.....	F04D 25/088 362/216
D482,112	S *	11/2003	Miller	.....	D23/377
D639,415	S *	6/2011	Dag	.....	D23/377
D703,805	S *	4/2014	Masciarella	.....	D23/414
D715,904	S *	10/2014	Tate	.....	D23/387

D777,312	S *	1/2017	Badarello	.....	D23/377
D785,155	S *	4/2017	Wang	.....	D23/377
D813,370	S *	3/2018	Li	.....	D23/377
D816,826	S *	5/2018	Johnson	.....	D23/377
2018/0172014	A1 *	6/2018	Johnson	.....	F04D 25/088

\* cited by examiner

*Primary Examiner* — Cathron C Brooks

*Assistant Examiner* — Sharon S Oum

(74) *Attorney, Agent, or Firm* — Muncy, Geissler, Olds & Lowe, P.C.

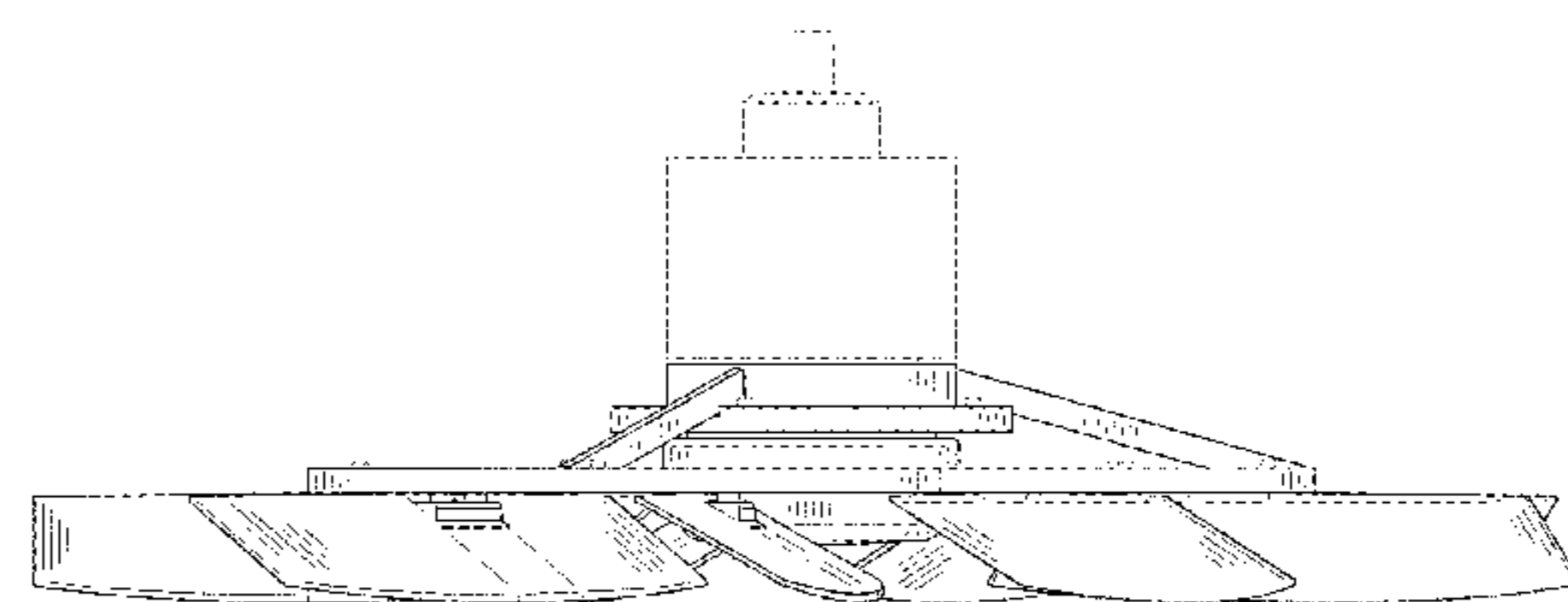
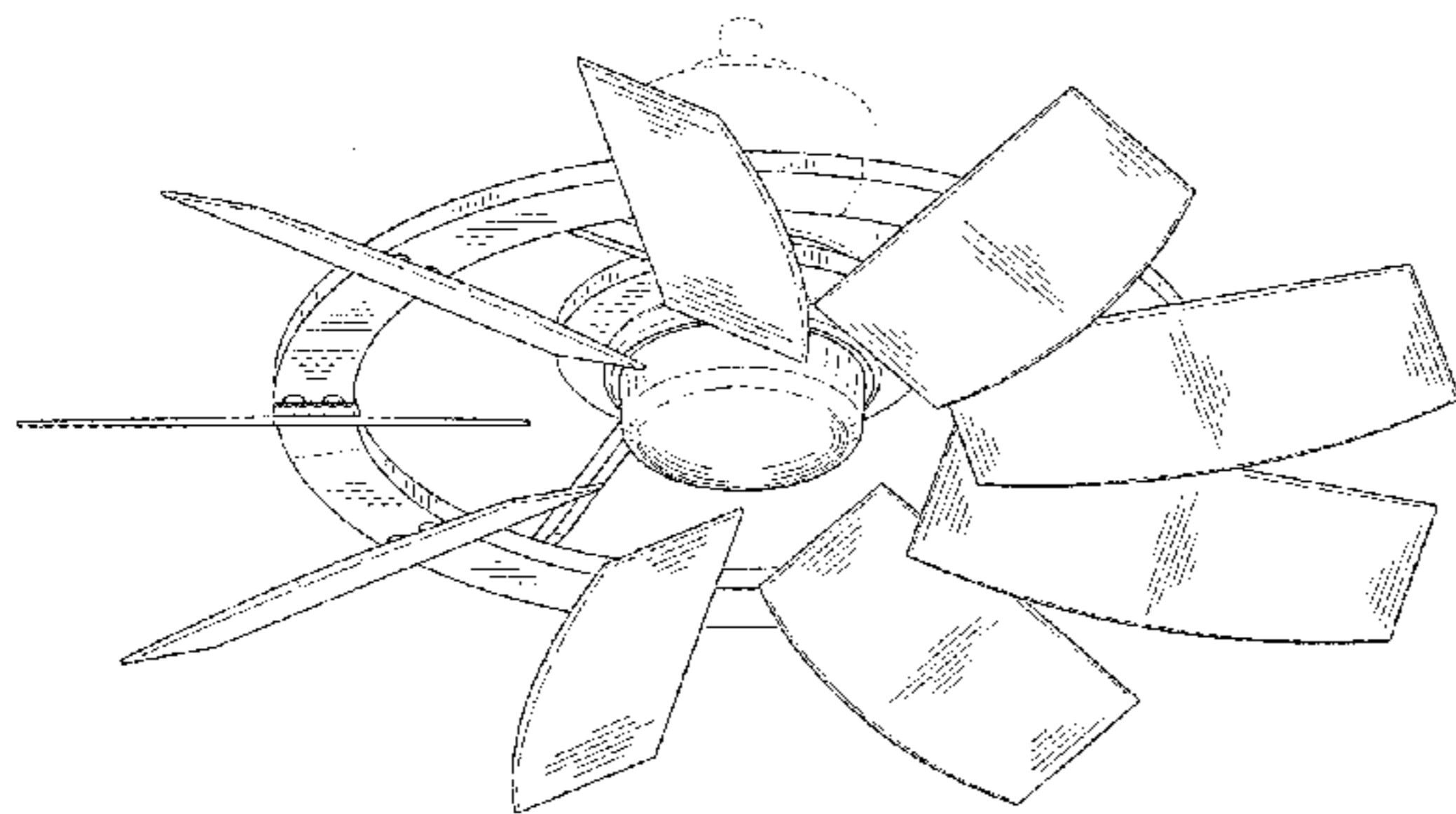
(57) **CLAIM**

The ornamental design for a ceiling fan with light kit, as shown and described.

**DESCRIPTION**

FIG. 1 is a perspective view of a ceiling fan with light kit, showing the new design;  
 FIG. 2 is a front elevational view thereof;  
 FIG. 3 is an enlarged front elevational view of a portion thereof;  
 FIG. 4 is a rear elevational view thereof;  
 FIG. 5 is a left side elevational view thereof;  
 FIG. 6 is a right side elevational view thereof;  
 FIG. 7 is a top plan view thereof; and,  
 FIG. 8 is a bottom plan view thereof.  
 The broken lines shown in FIGS. 1-8 depict portions of the ceiling fan with light kit that form no part of the claimed design.

**1 Claim, 8 Drawing Sheets**



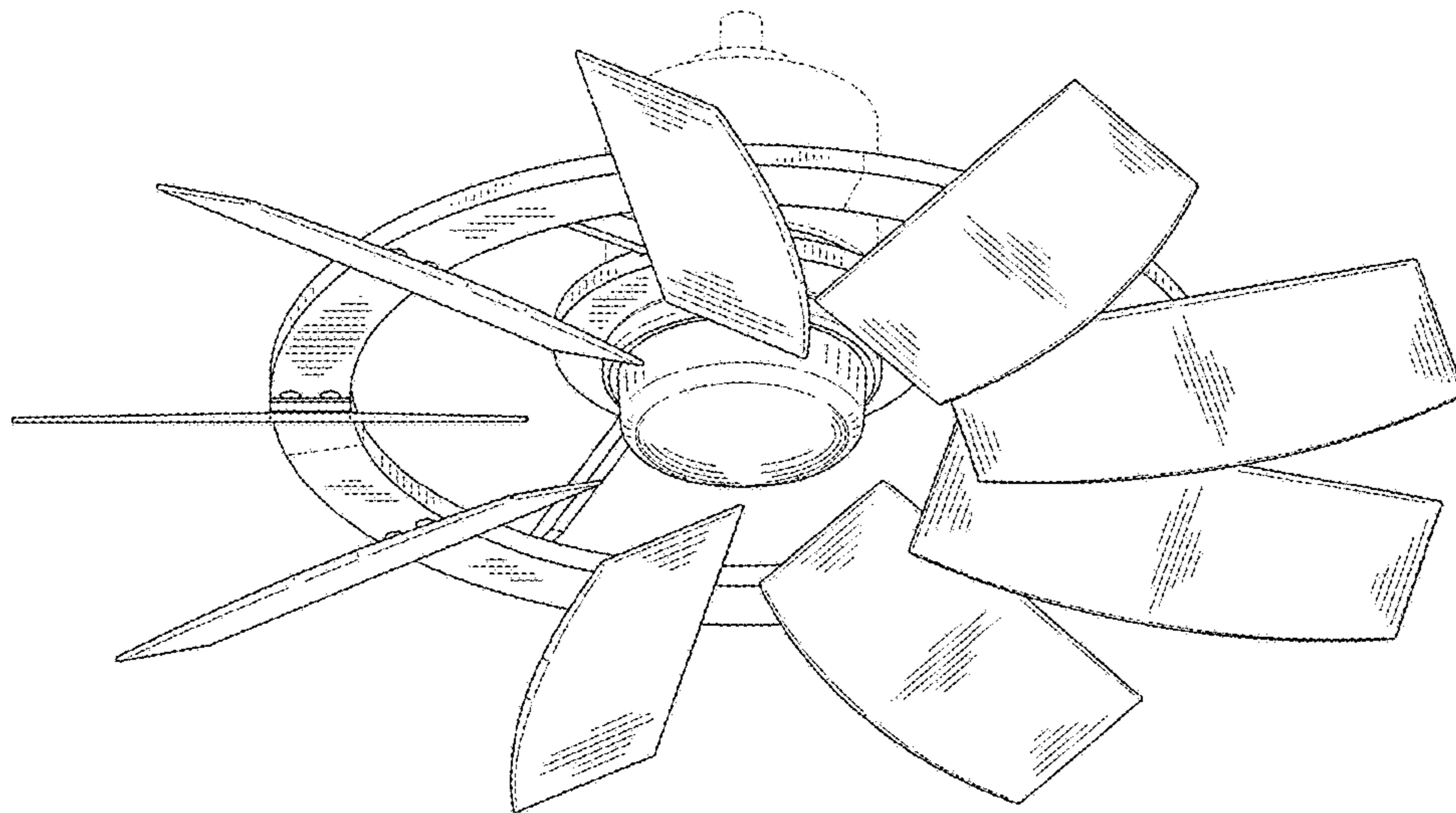


FIG. 1

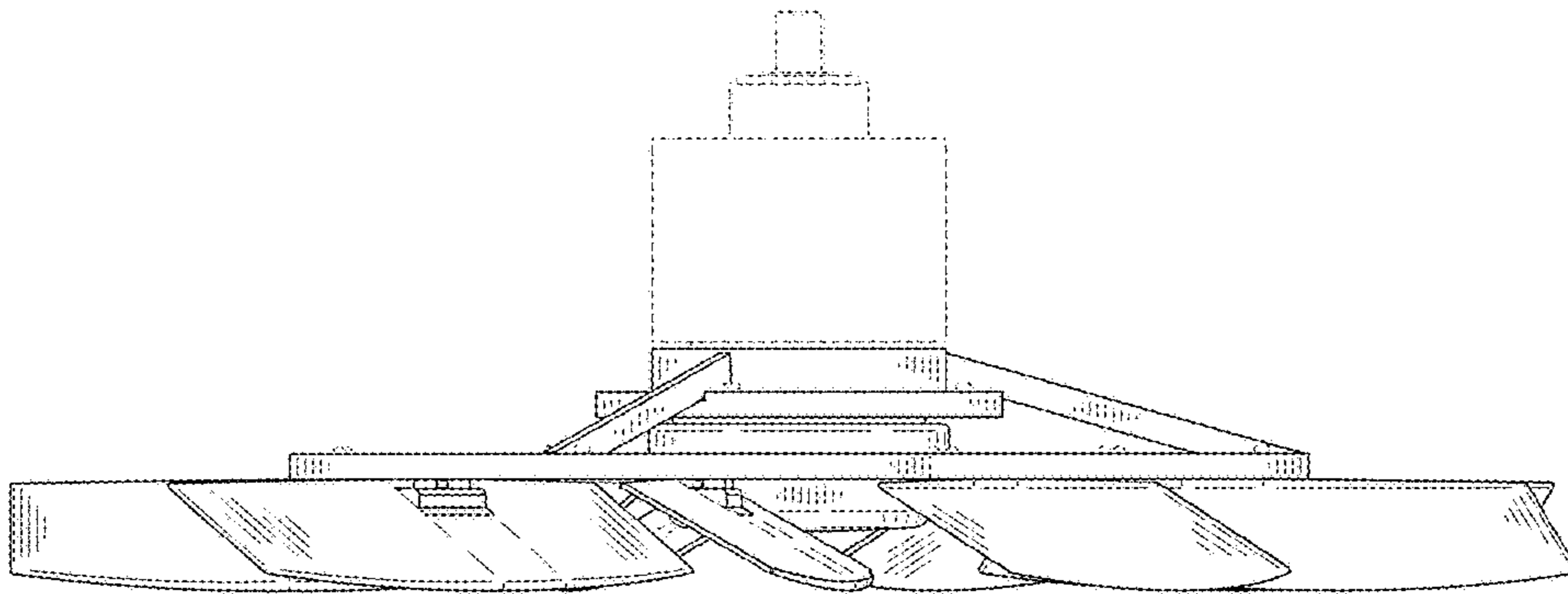


FIG. 2

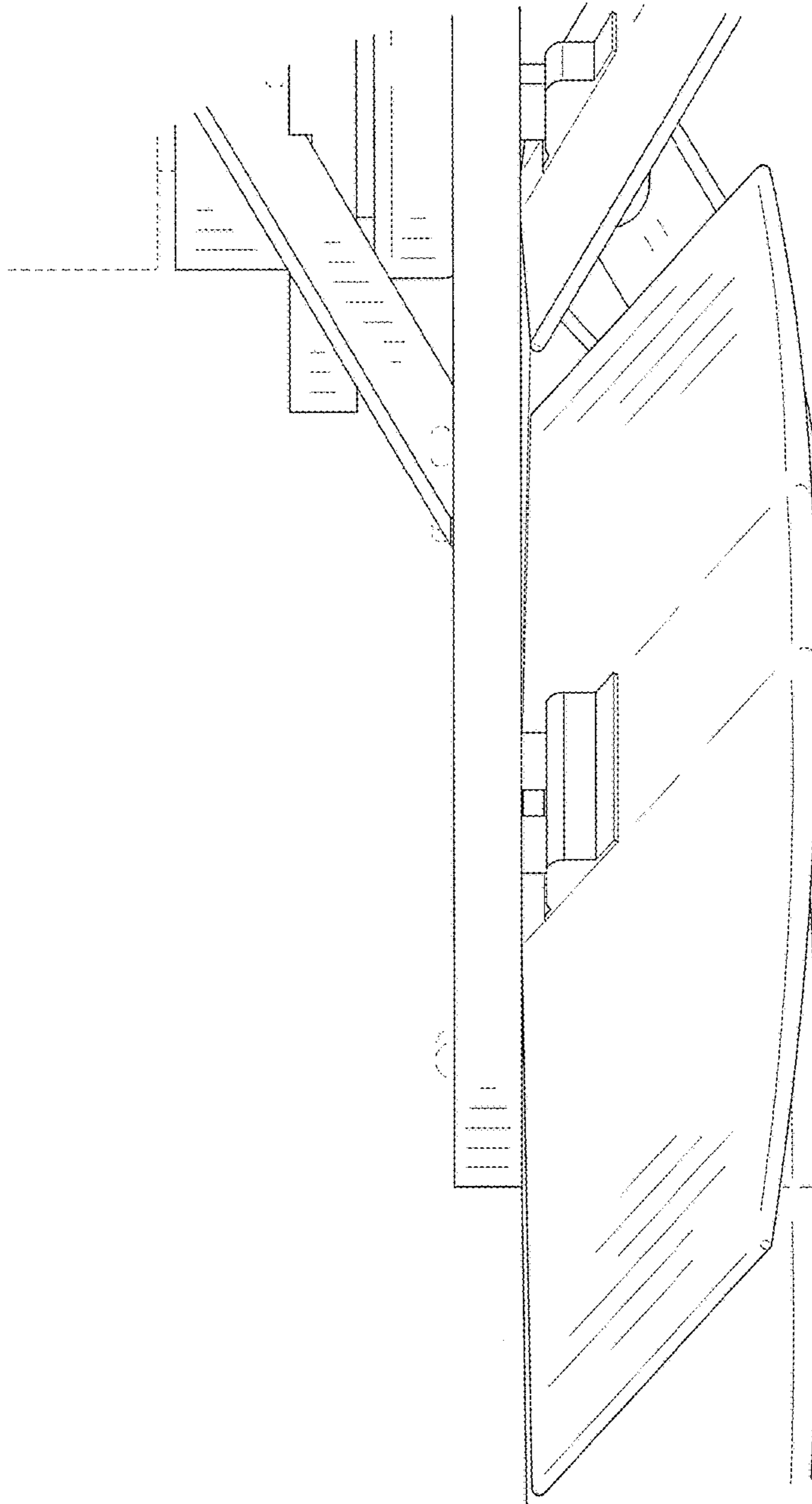


FIG. 3

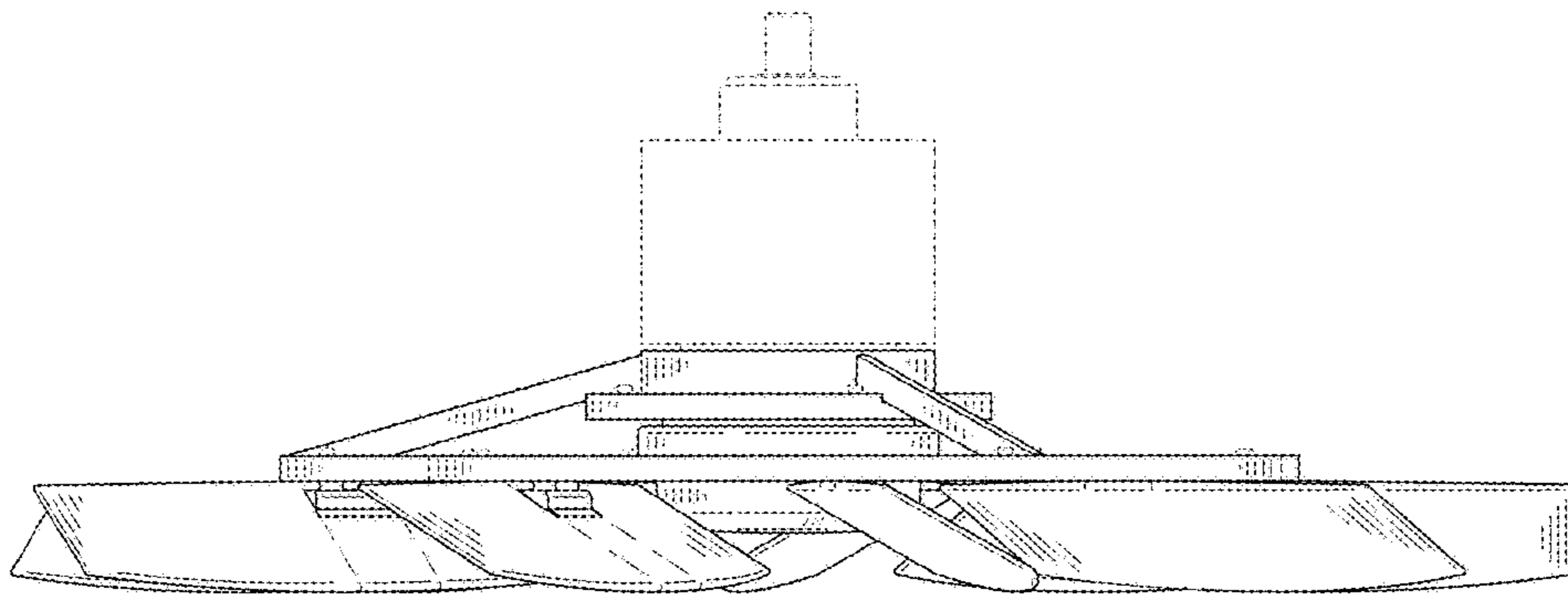


FIG. 4

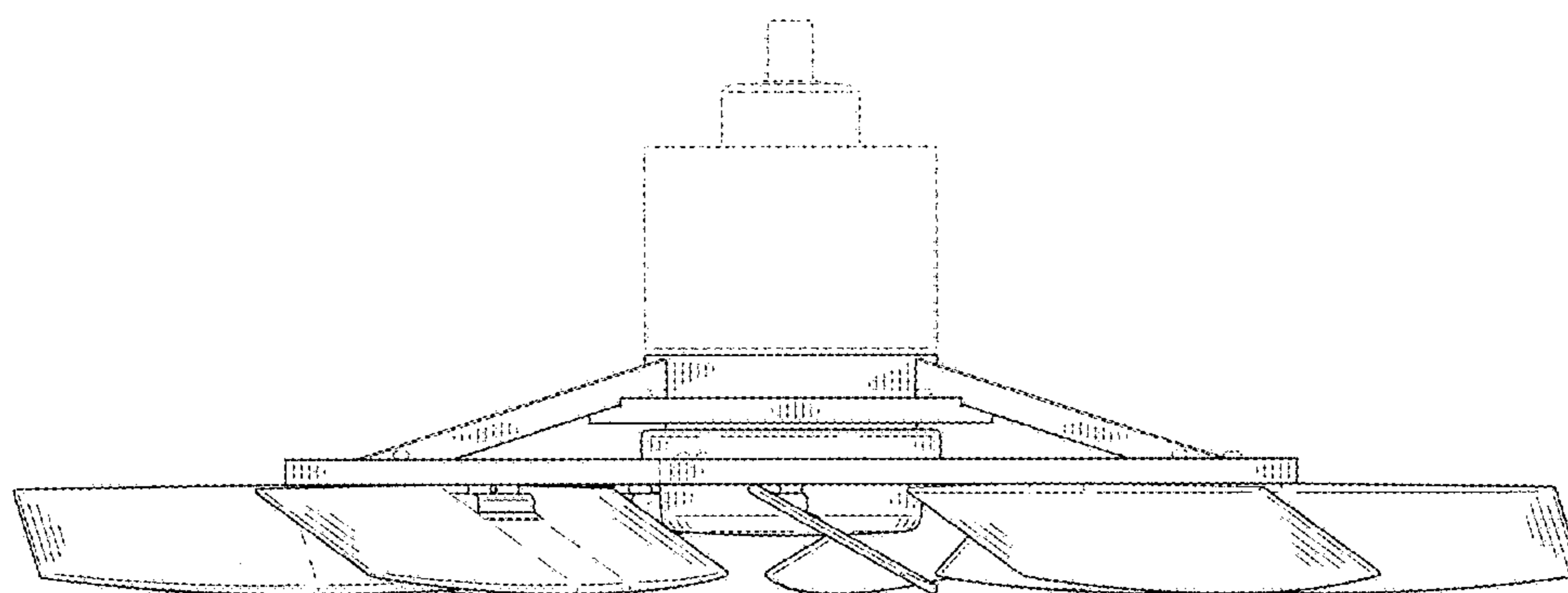


FIG. 5

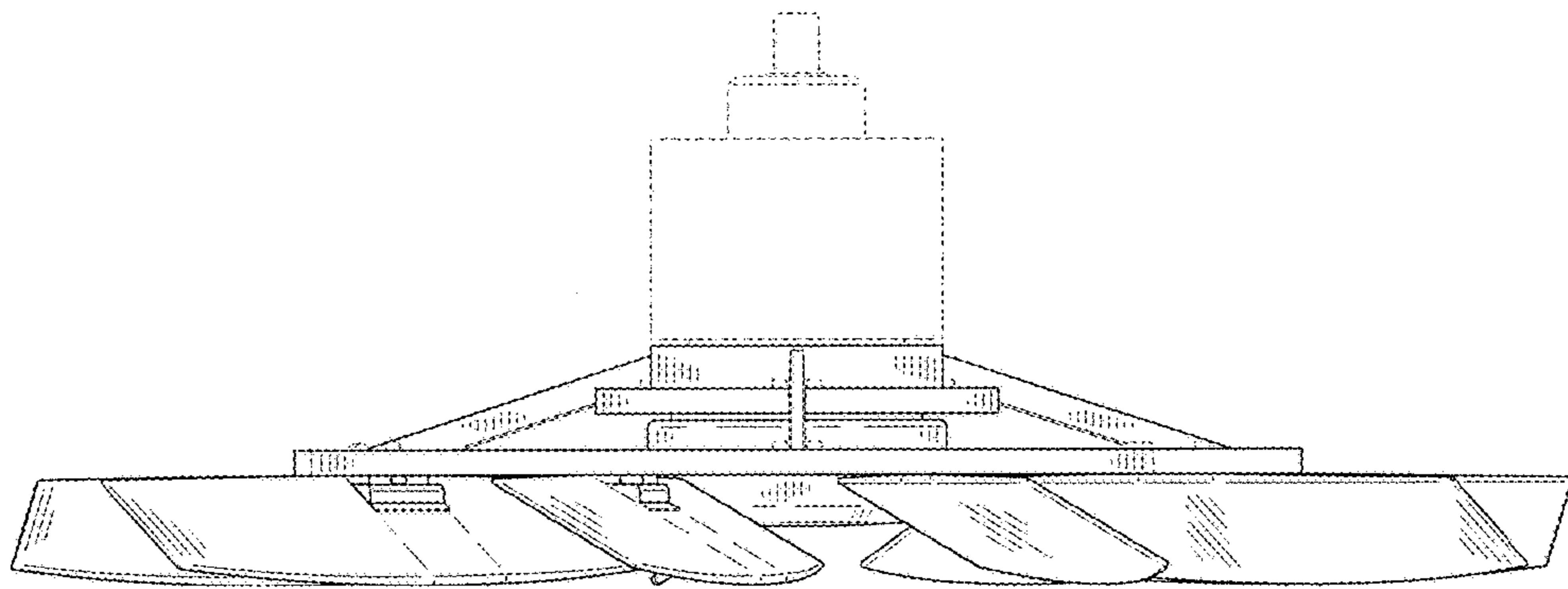


FIG. 6



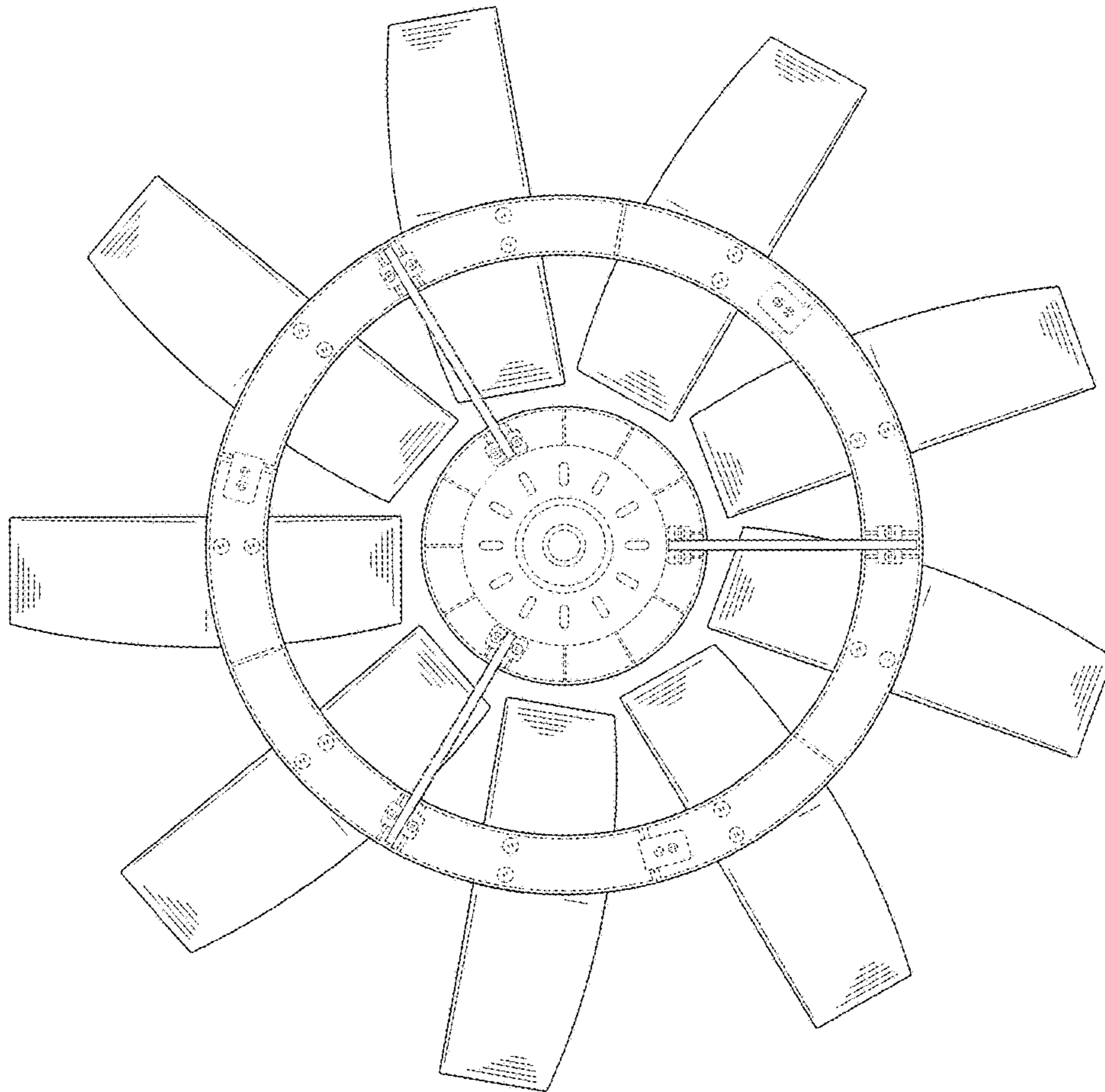


FIG. 7



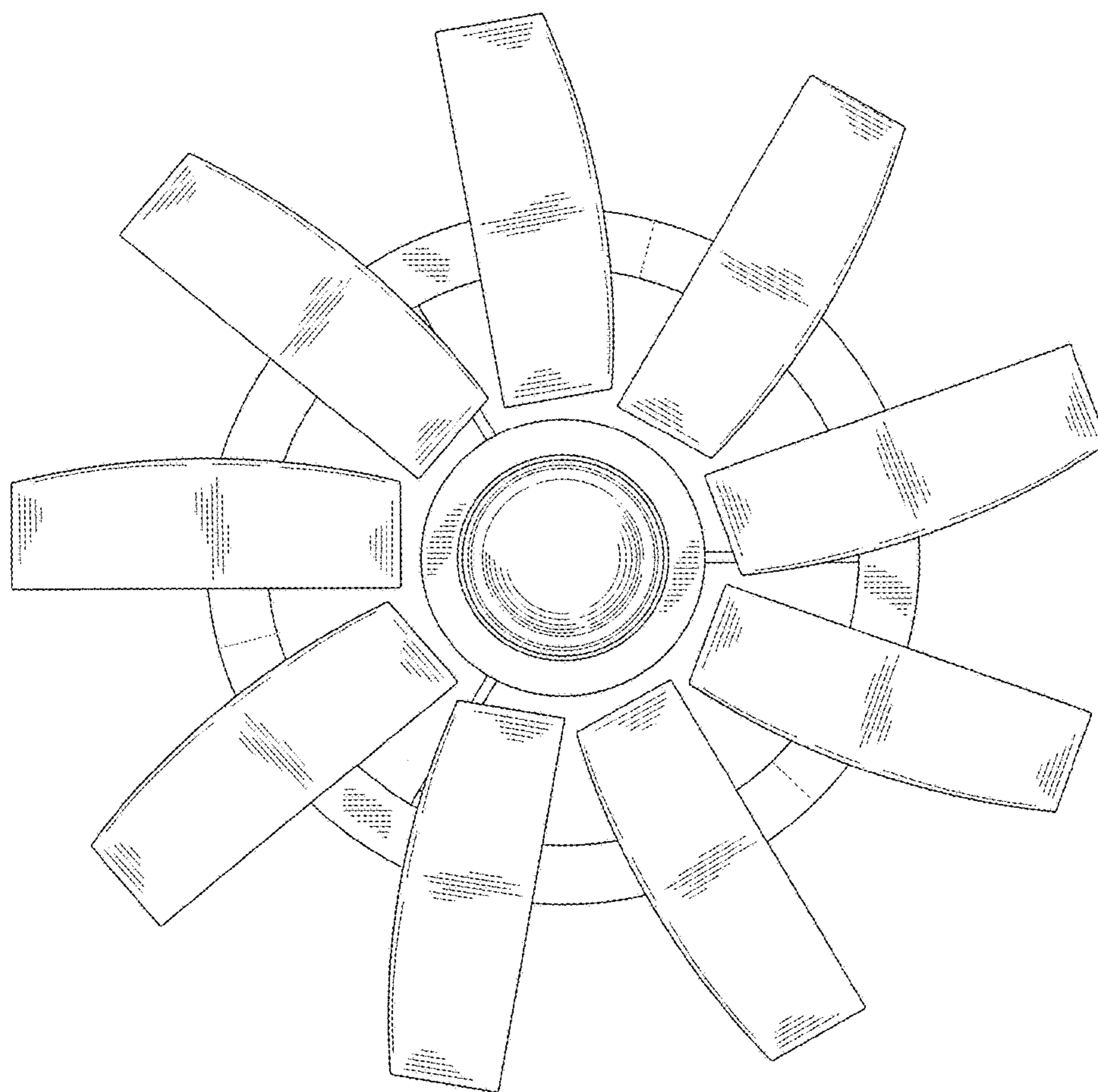


FIG. 8