

US00D860428S

(12) **United States Design Patent** (10) **Patent No.:** **US D860,428 S**
Orozco (45) **Date of Patent:** **** Sep. 17, 2019**

(54) **CEILING FAN**
(71) Applicant: **Sergio Orozco**, New York, NY (US)
(72) Inventor: **Sergio Orozco**, New York, NY (US)
(**) Term: **15 Years**
(21) Appl. No.: **29/631,830**
(22) Filed: **Jan. 3, 2018**
(51) **LOC (12) Cl.** **23-04**
(52) **U.S. Cl.**
USPC **D23/377**
(58) **Field of Classification Search**
USPC D23/370-385, 411-414; D26/59, 85, 86,
D26/89, 90
CPC F04D 25/088; F04D 29/38; F04D 29/384;
F04D 29/386; F21V 33/0096
See application file for complete search history.

D799,668 S * 10/2017 Wang D23/377
D804,630 S * 12/2017 Holmes D23/377
D814,011 S * 3/2018 McRoberts D23/377
D814,622 S * 4/2018 Gajewski D23/377
D831,187 S * 10/2018 Schulzman D23/377
D834,734 S * 11/2018 Guthrie D26/59

* cited by examiner

Primary Examiner — Cathron C Brooks
Assistant Examiner — Sharon S Oum
(74) *Attorney, Agent, or Firm* — Muncy, Geissler, Olds & Lowe, P.C.

(57) **CLAIM**

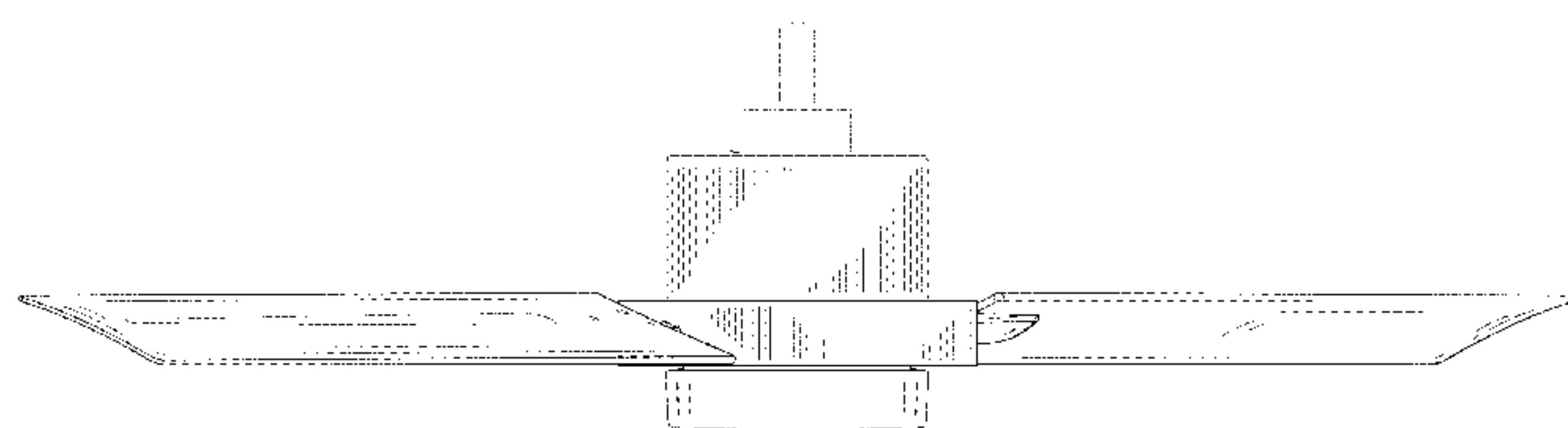
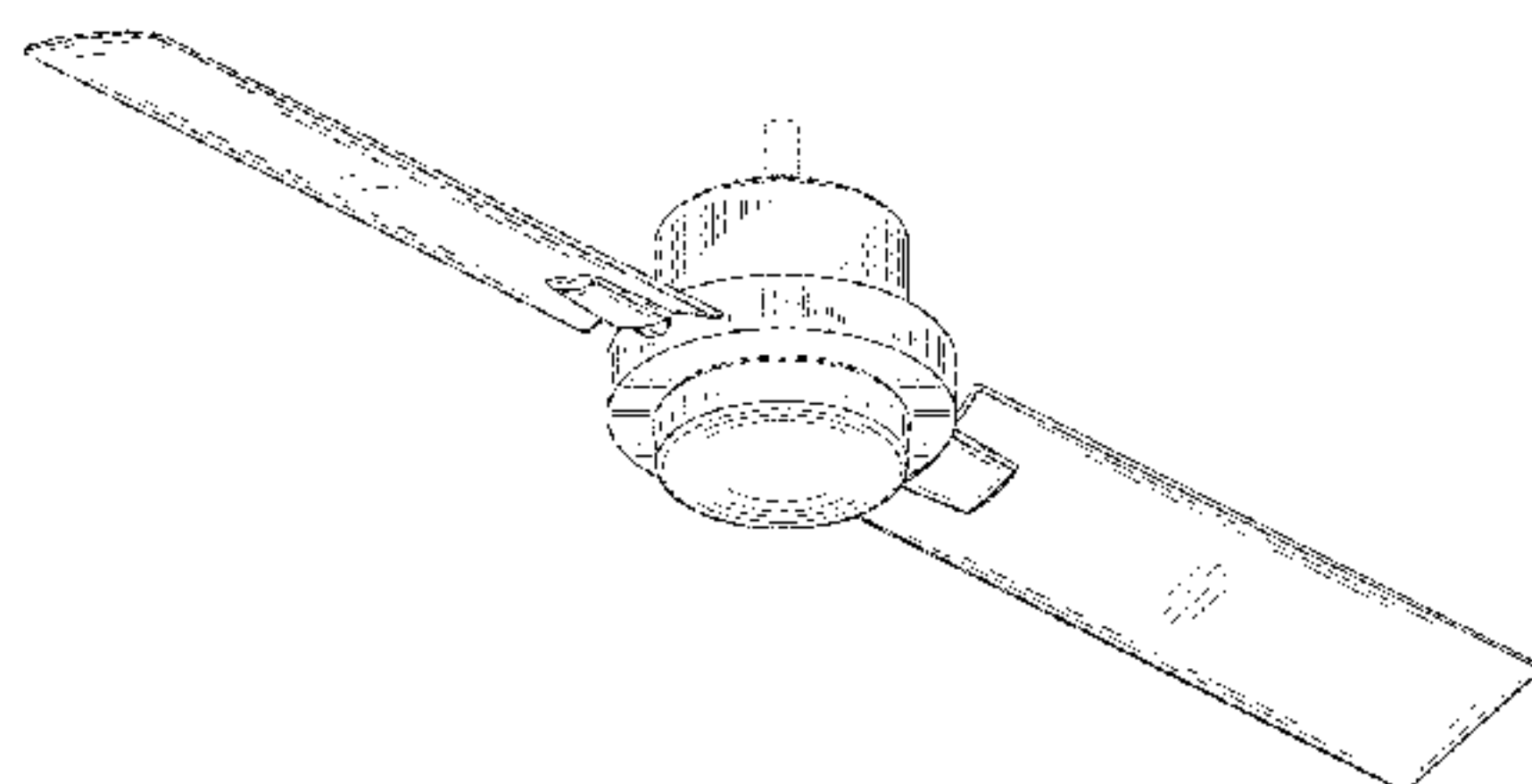
The ornamental design for a ceiling fan, as shown and described.

DESCRIPTION

FIG. 1 is a perspective view of a ceiling fan, showing the new design;
FIG. 2 is an enlarged perspective view thereof;
FIG. 3 is a front elevational view thereof;
FIG. 4 is a rear elevational view thereof;
FIG. 5 is a left side elevational view thereof;
FIG. 6 is a right side elevational view thereof;
FIG. 7 is a top plan view thereof; and,
FIG. 8 is a bottom plan view thereof.
The broken lines shown in FIGS. 1-7 depict portions of the ceiling fan that form no part of the claimed design.

1 Claim, 8 Drawing Sheets

(56) **References Cited**
U.S. PATENT DOCUMENTS
4,342,073 A * 7/1982 Ranten F04D 25/088
362/147
D408,515 S * 4/1999 Evans D23/377
D599,947 S * 9/2009 Sabernig D26/88
D627,053 S * 11/2010 Pan D23/411
D705,970 S * 5/2014 Ertze D26/59
D706,970 S * 6/2014 Wang D26/59
D773,634 S * 12/2016 Wang D23/385
D778,422 S * 2/2017 Gajewski D23/377
D795,412 S * 8/2017 Schulzman D23/377



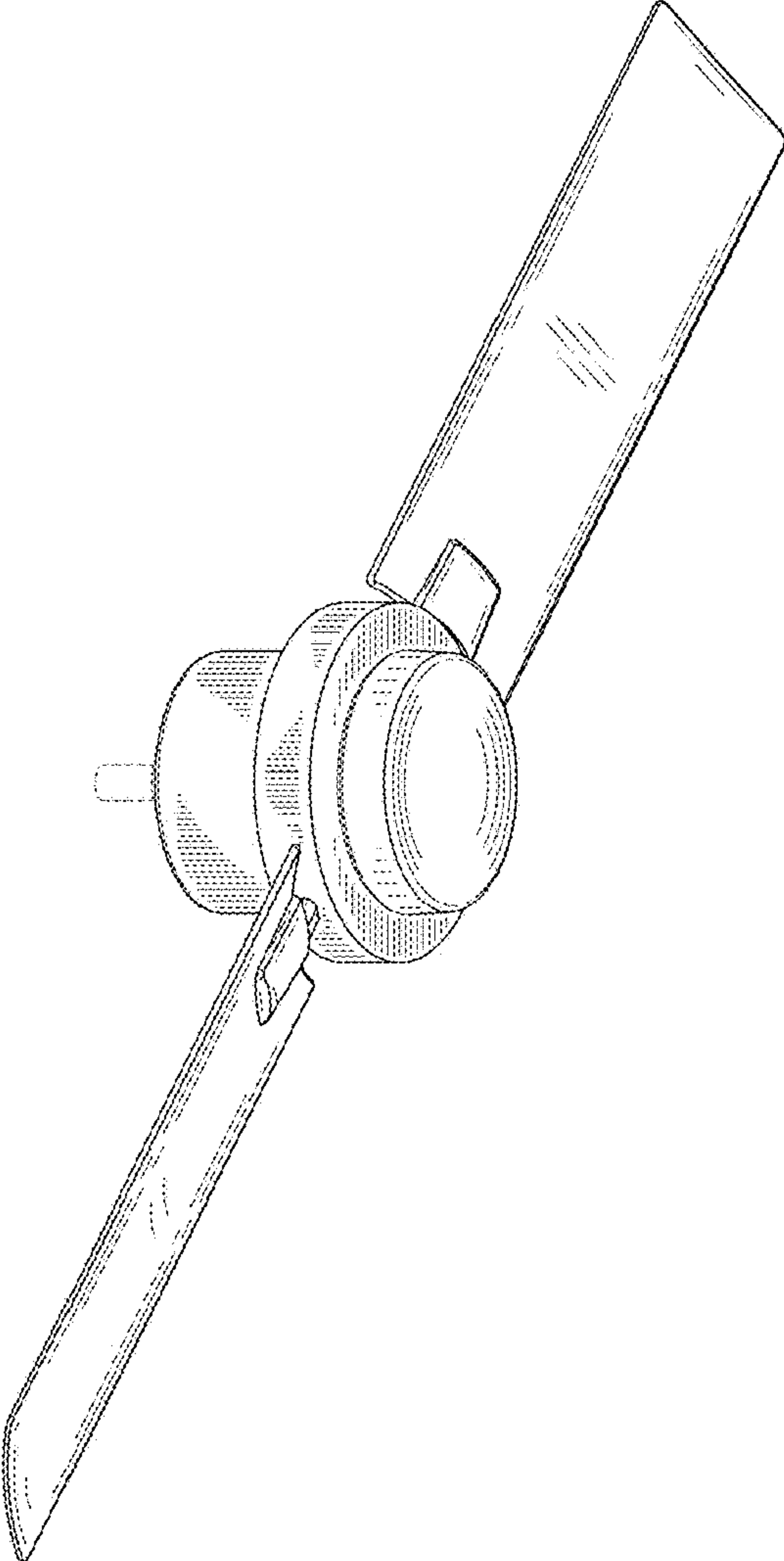


FIG. 1

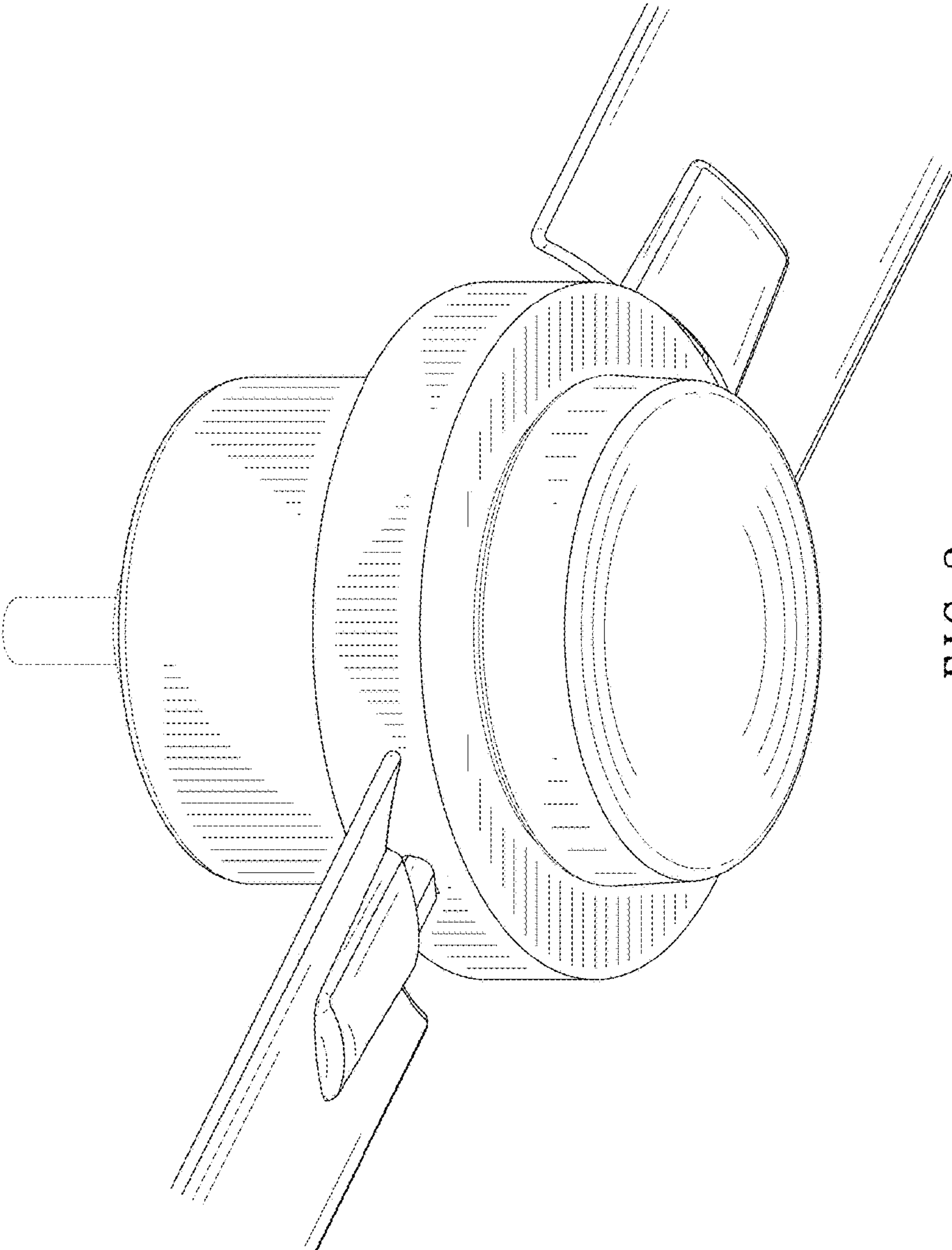


FIG. 2

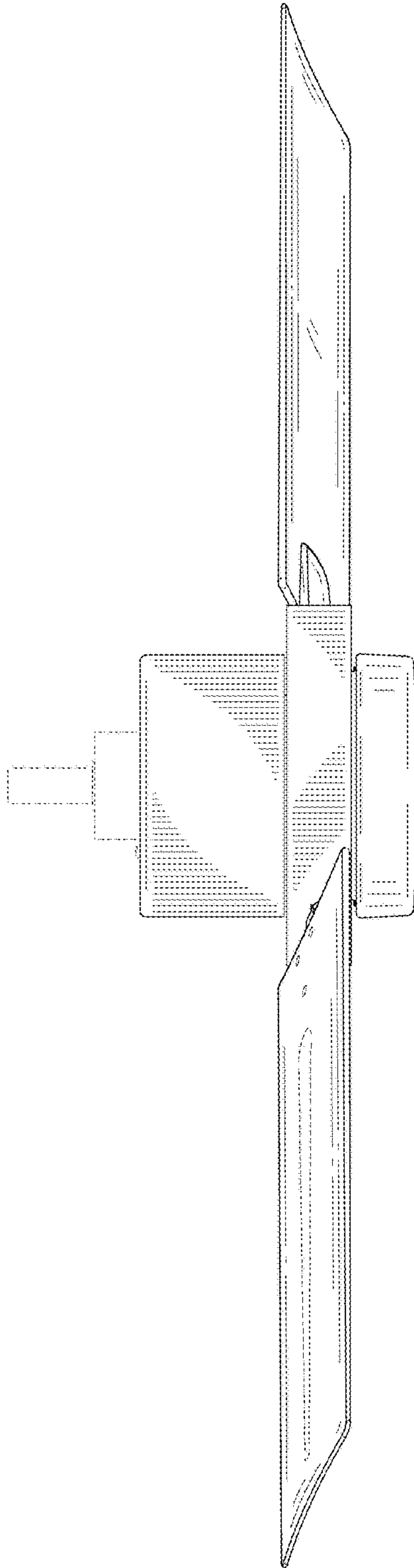


FIG. 3

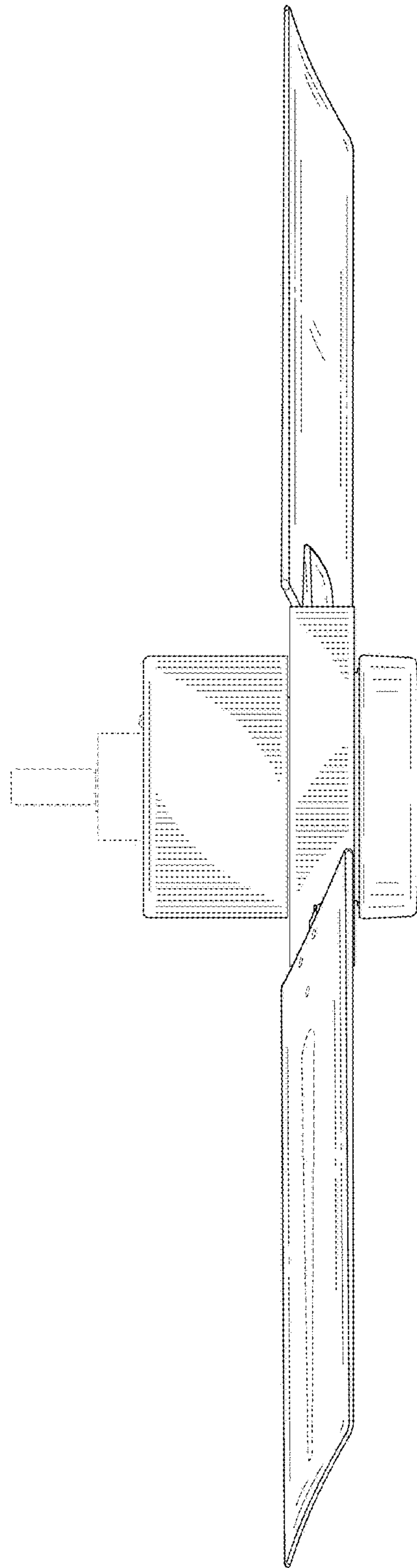


FIG. 4

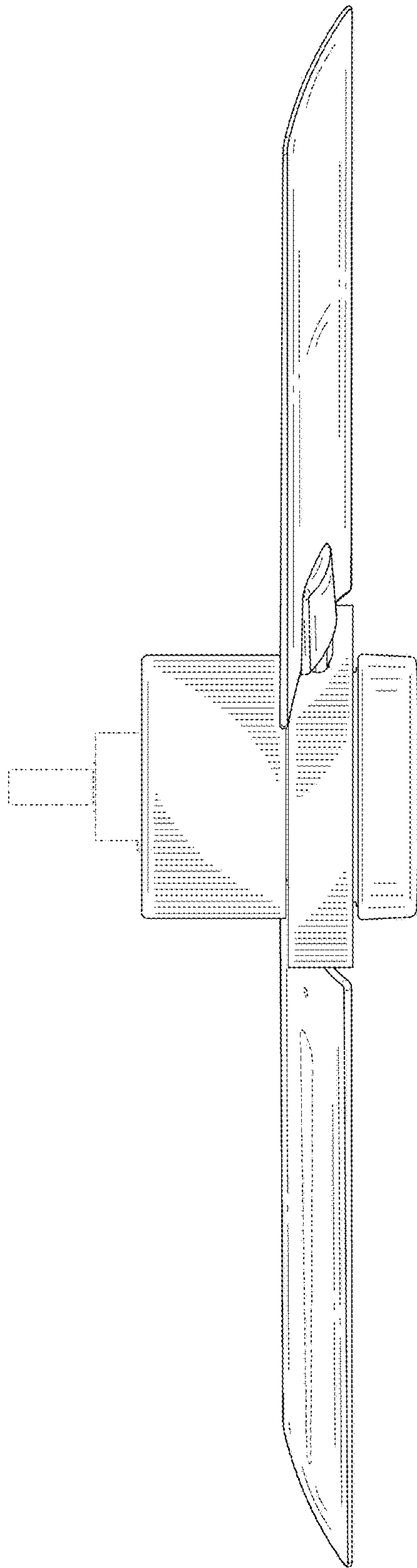


FIG. 5

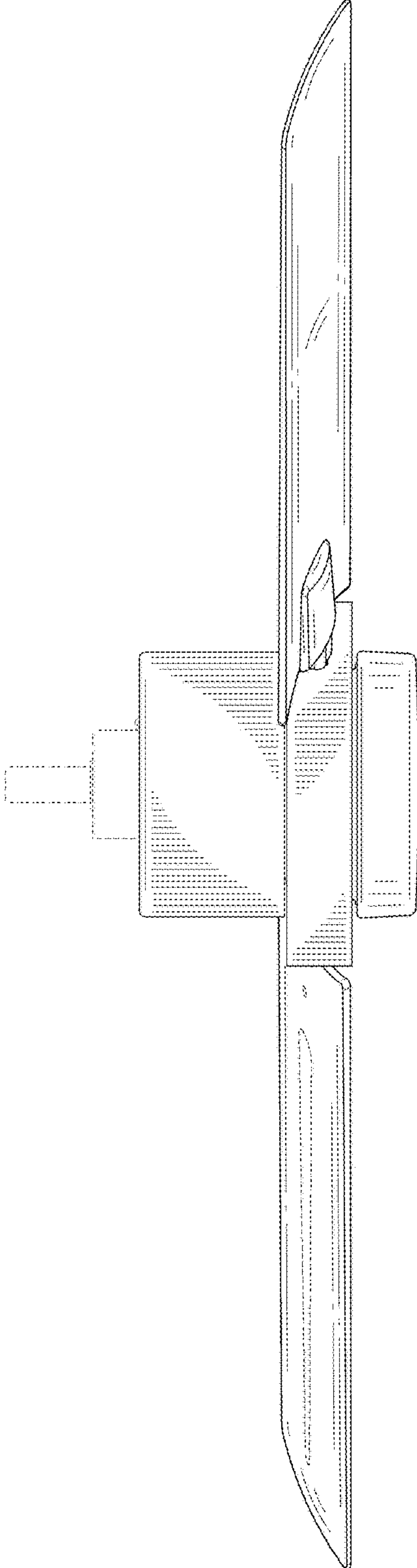


FIG. 6

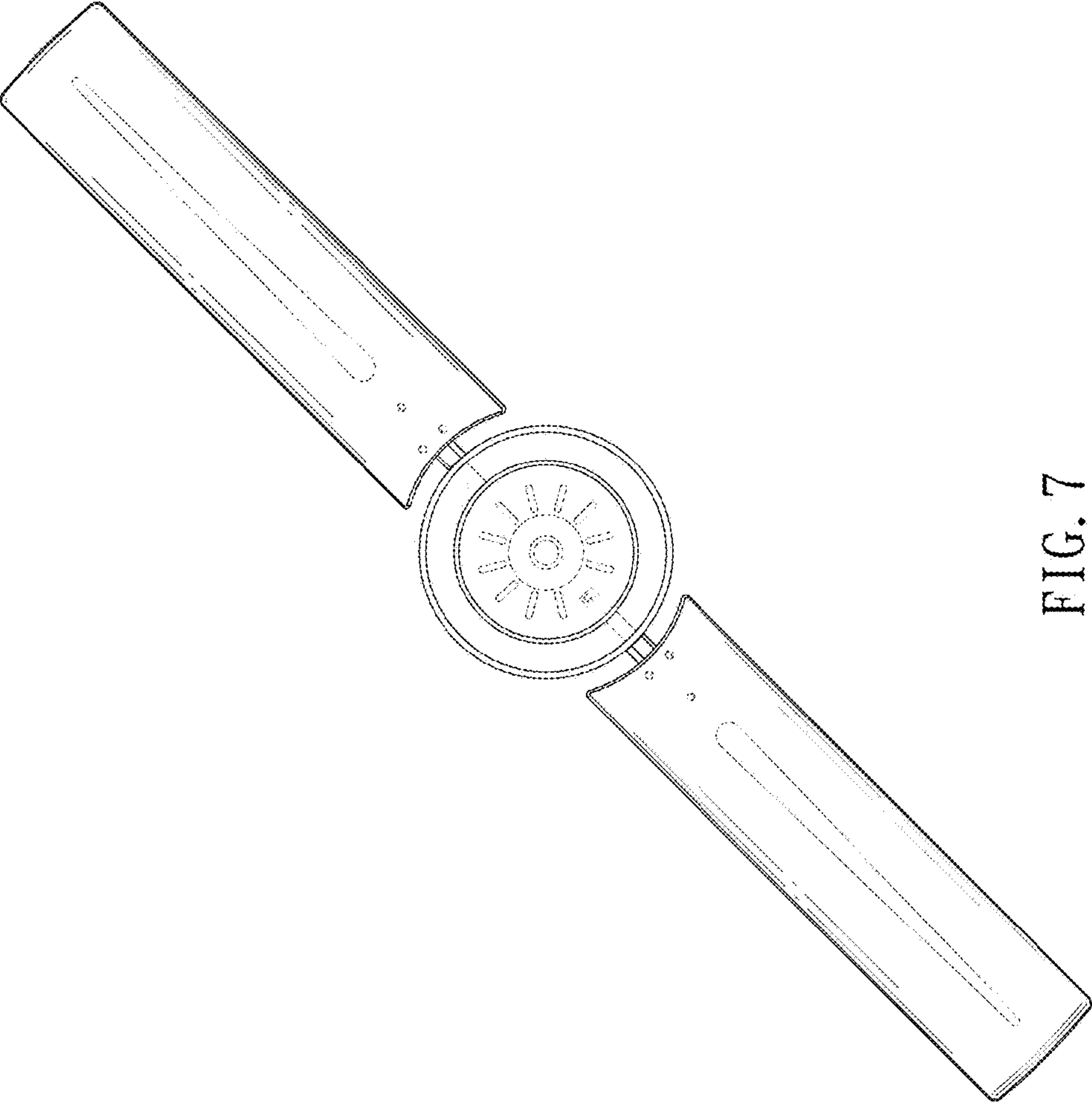


FIG. 7

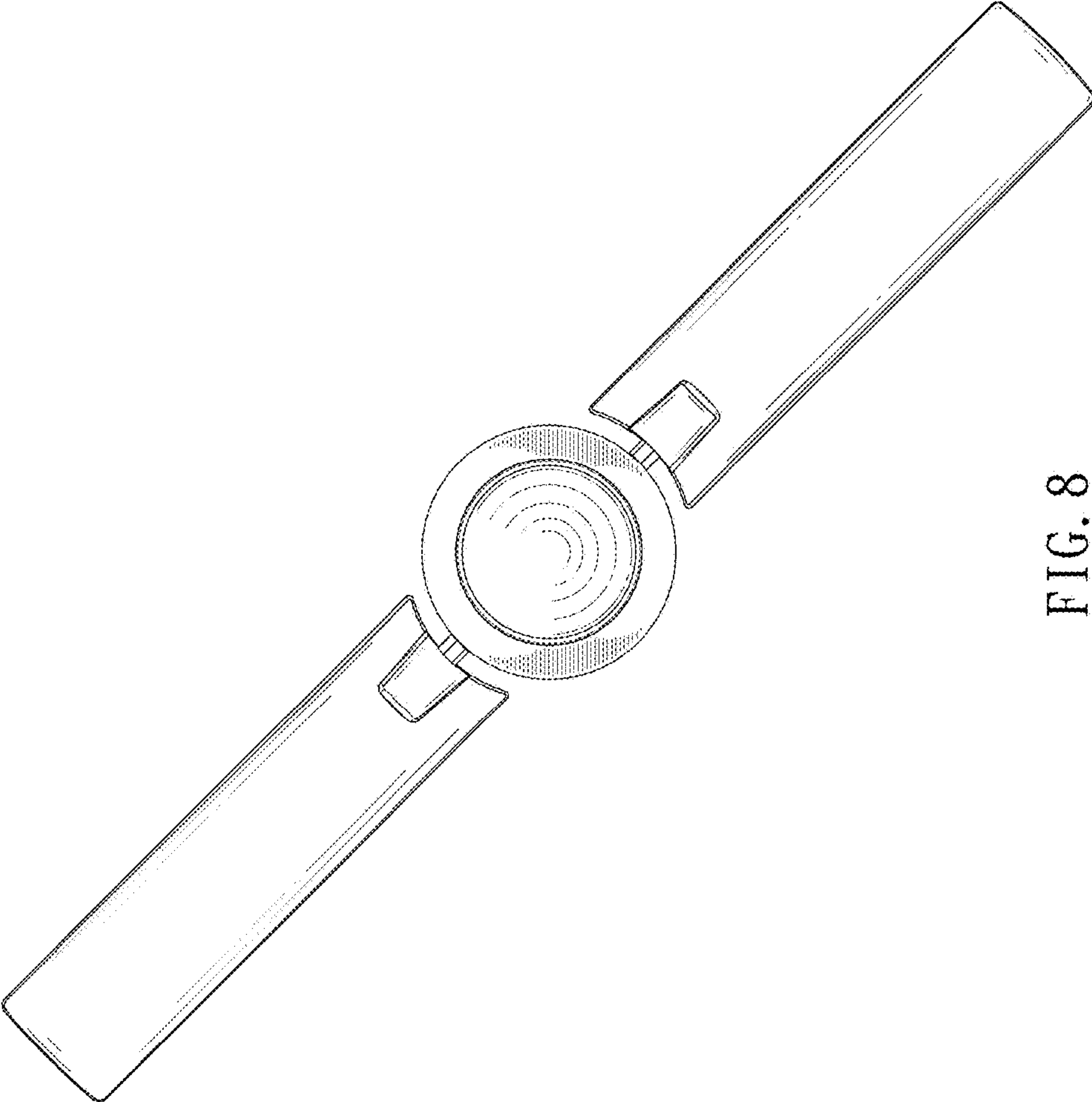


FIG. 8