



US00D860427S

(12) **United States Design Patent**
Cayton

(10) **Patent No.:** **US D860,427 S**

(45) **Date of Patent:** **** Sep. 17, 2019**

(54) **RING FAN**

4,459,087 A 7/1984 Barge
D275,884 S * 10/1984 Bushong D23/414
4,566,852 A 1/1986 Hauser

(Continued)

(71) Applicant: **Horton, Inc.**, Roseville, MN (US)

(72) Inventor: **Robert Donald Cayton**, Würzburg (DE)

(73) Assignee: **Horton, Inc.**, Roseville, MN (US)

(**) Term: **15 Years**

FOREIGN PATENT DOCUMENTS

DE 3304296 A 9/1983
DE 3304297 A1 3/1984

(Continued)

(21) Appl. No.: **29/617,972**

(22) Filed: **Sep. 18, 2017**

(51) **LOC (12) Cl.** **23-04**

(52) **U.S. Cl.**

USPC **D23/370**; D23/414; D23/324

(58) **Field of Classification Search**

USPC D23/314, 317, 324, 328, 332-342, 351,
D23/352, 354, 355, 356, 359, 362, 364,
D23/370-385, 386-389, 393, 397,
D23/411-414; D12/214

CPC F04D 25/08; F04D 29/38; F04D 29/384;
F04D 29/386; F04D 29/325; F04D 25/02;
F04D 29/682; F04D 29/684

See application file for complete search history.

OTHER PUBLICATIONS

Ring-type fan, Application No. 200730122532, application date Jul. 16, 2007, date published Aug. 13, 2008, site visited Mar. 27, 2019, available at www.orbit.com.*

(Continued)

Primary Examiner — Cathron C Brooks

Assistant Examiner — Sharon S Oum

(74) *Attorney, Agent, or Firm* — Westman, Champlin & Koehler, P.A.

(57)

CLAIM

The ornamental design for a ring fan, as shown and described.

DESCRIPTION

FIG. 1 is a front perspective view of a ring fan showing my new design.

FIG. 2 is a rear perspective view thereof;

FIG. 3 is a front elevation view thereof;

FIG. 4 is a rear elevation view thereof;

FIG. 5 is a top plan view thereof;

FIG. 6 is a right side elevation view thereof;

FIG. 7 is a left side elevation view thereof;

FIG. 8 is a bottom plan view thereof; and,

FIG. 9 is a partial section view thereof, taken along line 9-9 of FIG. 4.

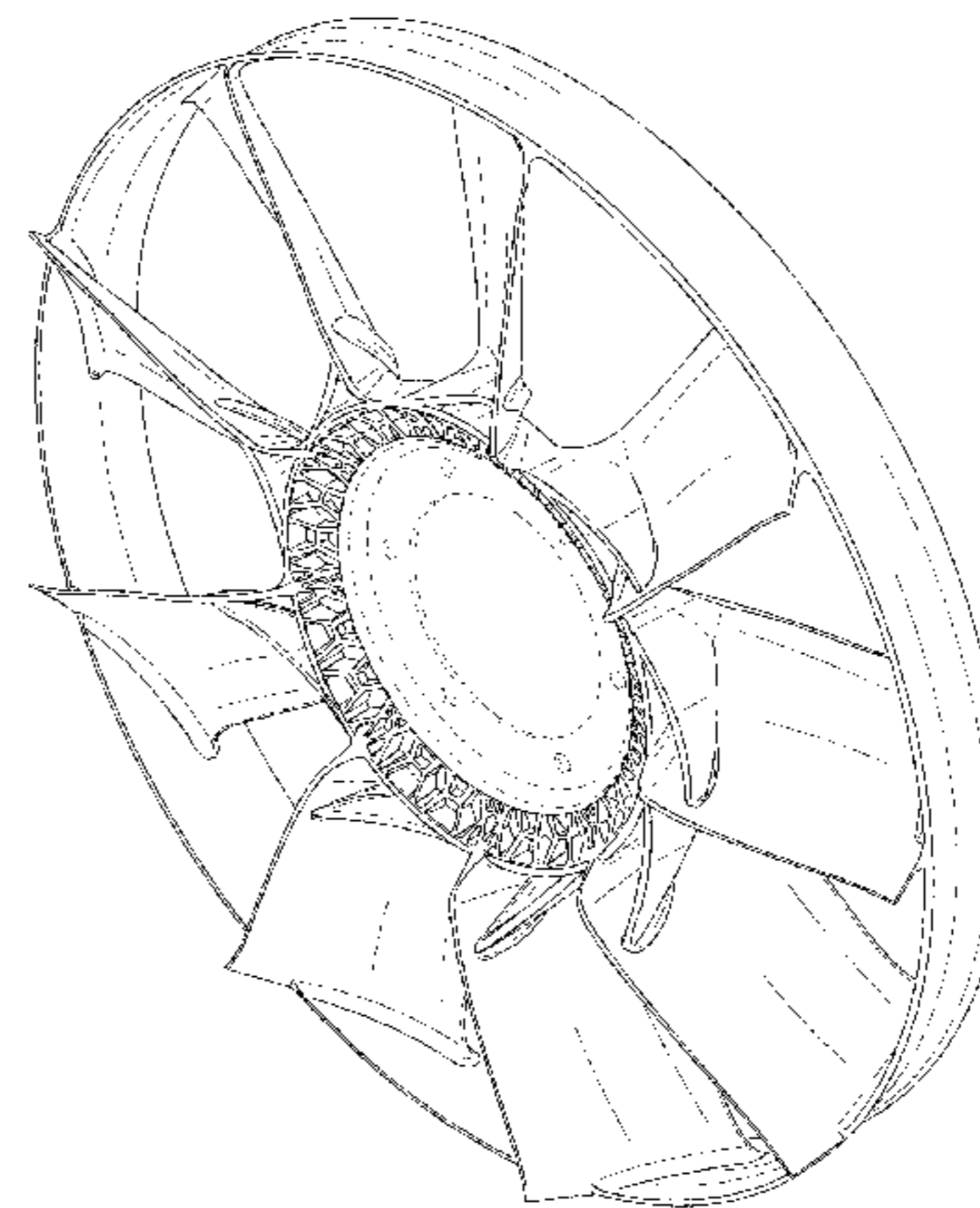
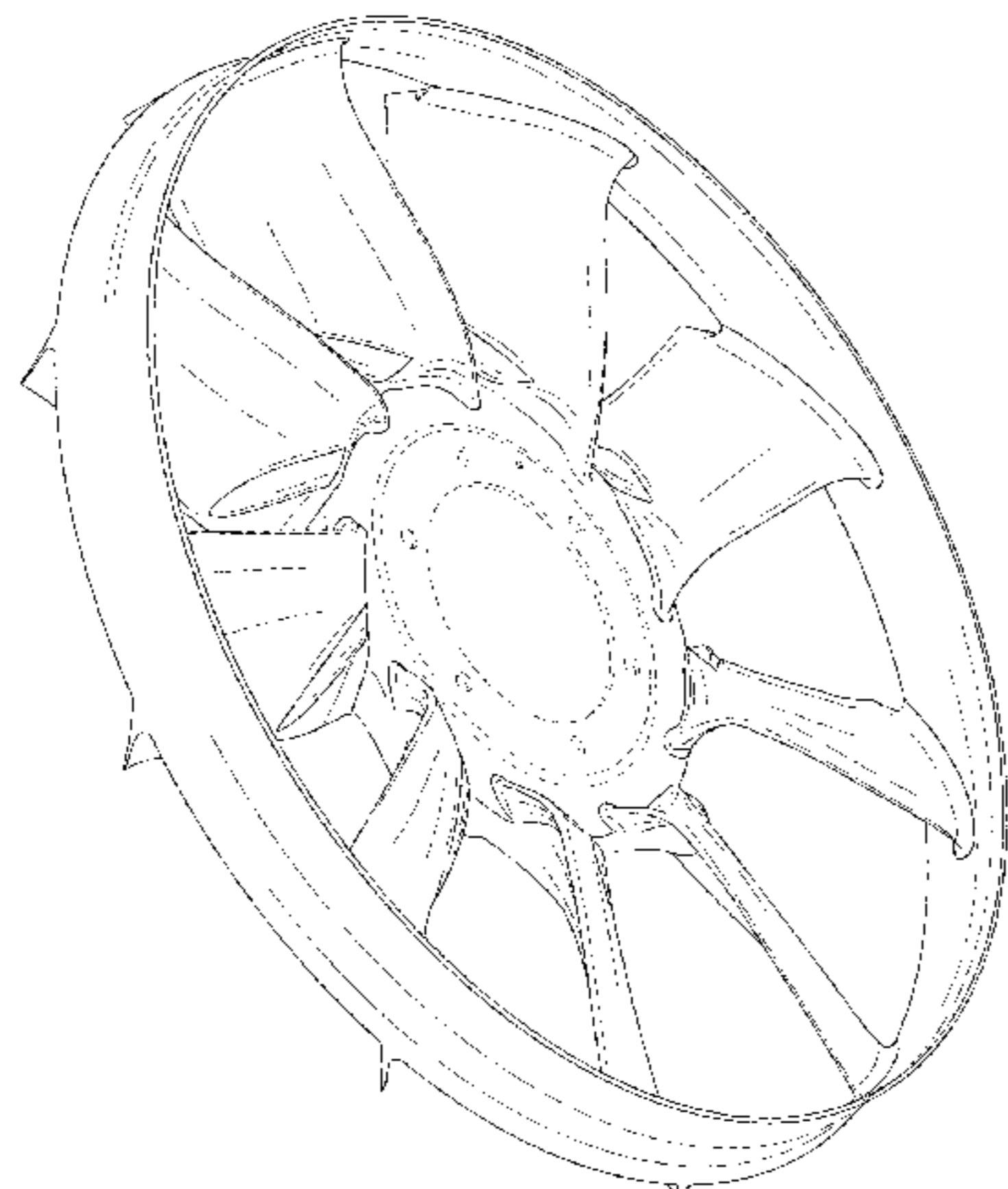
The portions of the ring fan shown in broken lines form no part of the claimed design.

(56) **References Cited**

U.S. PATENT DOCUMENTS

1,041,913 A	10/1912	Tyson
1,512,273 A	10/1924	Callahan
1,827,225 A	10/1931	Ferreby
3,842,902 A	10/1974	Poslusny
3,885,888 A	5/1975	Warhol
4,181,172 A	1/1980	Longhouse
4,187,055 A	2/1980	Barnstead
4,213,426 A	7/1980	Longhouse
4,329,946 A	5/1982	Longhouse
4,364,712 A	12/1982	Charles
4,396,351 A	8/1983	Hayashi et al.
4,451,202 A	5/1984	Hauser

1 Claim, 6 Drawing Sheets



(56)

References Cited

U.S. PATENT DOCUMENTS

4,768,472 A 9/1988 Hayashi et al.
 5,066,196 A 11/1991 Morofushi
 5,183,382 A 2/1993 Carroll
 5,193,981 A 3/1993 Scheidel et al.
 5,326,225 A 7/1994 Gallivan et al.
 5,489,186 A 2/1996 Yapp et al.
 5,513,951 A * 5/1996 Komoda F04D 29/386
 415/119
 5,695,318 A 12/1997 Harmsen
 5,701,854 A 12/1997 Hauser
 5,730,583 A * 3/1998 Alizadeh F04D 19/002
 416/169 A
 5,996,685 A * 12/1999 Alizadeh F04D 29/326
 123/41.49
 6,010,305 A 1/2000 Hauser
 6,024,537 A 2/2000 Moreau et al.
 6,037,692 A 3/2000 Miekka et al.
 D446,295 S * 8/2001 Williams D23/370
 6,302,650 B1 10/2001 Williams
 6,340,292 B1 1/2002 Chuang et al.
 6,341,940 B1 1/2002 Giribaldi
 6,358,009 B1 3/2002 Link
 6,375,427 B1 * 4/2002 Williams F04D 29/326
 416/169 A
 6,382,915 B1 5/2002 Aschermann et al.
 6,468,037 B1 10/2002 Link
 6,548,929 B2 4/2003 Nelson et al.
 6,565,320 B1 5/2003 Surls et al.
 6,595,744 B2 7/2003 Van Houten
 6,659,724 B2 12/2003 Takeuchi et al.
 6,726,445 B2 4/2004 Tsuchiya
 6,726,454 B2 4/2004 Blass et al.
 6,863,496 B2 3/2005 Cho et al.
 D511,824 S * 11/2005 Chen D23/370
 7,114,921 B2 10/2006 Iwasaki et al.
 7,331,764 B1 2/2008 Reynolds et al.
 7,399,157 B2 7/2008 Tonhaeuser
 7,462,013 B2 12/2008 Iwasaki et al.
 7,585,159 B2 9/2009 Caplan et al.
 7,789,622 B2 9/2010 Acre
 D634,833 S * 3/2011 Stagg D23/370
 8,091,177 B2 * 1/2012 Cote F04D 29/329
 16/203
 8,100,664 B2 1/2012 Hwang et al.
 8,240,996 B2 8/2012 Surls
 8,277,180 B2 10/2012 Blass et al.
 8,475,111 B2 7/2013 Stagg et al.
 8,573,931 B2 11/2013 Blass et al.
 8,985,970 B2 * 3/2015 Spaggiari F04D 29/263
 417/423.1
 9,011,094 B2 4/2015 McPeck et al.
 D736,368 S * 8/2015 Xu D23/370
 9,206,816 B2 12/2015 Olmo et al.
 9,217,331 B1 12/2015 Yellapragada et al.
 9,217,443 B2 * 12/2015 He F04D 29/329
 9,273,698 B2 3/2016 Murador et al.
 9,447,791 B2 9/2016 Aschermann et al.
 9,523,372 B2 12/2016 Stagg
 9,605,737 B2 3/2017 Wang et al.
 D806,223 S * 12/2017 Allard D23/370
 D814,008 S * 3/2018 Munz D23/370
 D820,966 S * 6/2018 De Filippis D23/370
 2004/0013526 A1 1/2004 Nilson
 2005/0260077 A1 11/2005 Sato
 2007/0280829 A1 * 12/2007 Stevens F04D 29/326
 416/189
 2008/0035316 A1 2/2008 Blass et al.
 2010/0018826 A1 1/2010 Schultheiss et al.
 2010/0092297 A1 4/2010 Surls
 2010/0272573 A1 * 10/2010 Bessho B29C 45/0005
 416/223 R
 2010/0329871 A1 12/2010 Cahill et al.
 2013/0017067 A1 1/2013 Cantelli et al.
 2013/0323072 A1 12/2013 Aschermann et al.

2014/0044575 A1 2/2014 Naffziger
 2014/0212291 A1 7/2014 Stagg et al.
 2014/0341748 A1 11/2014 Kojima et al.
 2015/0071787 A1 3/2015 Scouarnec et al.
 2015/0114791 A1 4/2015 Larpent et al.
 2015/0198177 A1 7/2015 Gabbin et al.
 2015/0354598 A1 12/2015 Dygert et al.
 2016/0305448 A1 10/2016 Hong
 2016/0312788 A1 10/2016 Bossi et al.
 2017/0096928 A1 4/2017 Burt
 2017/0130724 A1 5/2017 Bielesch et al.
 2017/0138369 A9 5/2017 Stagg et al.

FOREIGN PATENT DOCUMENTS

DE 29903619 U1 5/1999
 DE 102013015835 A1 4/2015
 DE 102014210232 A1 12/2015
 DE 102015207399 A1 10/2016
 DE 102015216335 A1 3/2017
 EP 0096498 B1 8/1986
 EP 0515839 B1 1/1996
 EP 0463385 B1 8/1996
 EP 1876407 B1 1/2009
 EP 2020489 A1 2/2009
 EP 1851443 B1 4/2010
 EP 2646695 A1 10/2013
 EP 2975284 A2 1/2016
 EP 2478226 B1 2/2016
 EP 2638295 B1 1/2017
 EP 2886873 B1 5/2017
 GB 2358677 A 8/2001
 JP H08159088 A 6/1996
 JP 3406733 B2 5/2003
 JP 2007063989 A 3/2007
 JP 2016148300 A 8/2016
 WO WO2002/17463 A1 2/2002
 WO WO2008/141253 A1 11/2008
 WO WO2009/105208 A2 8/2009
 WO WO2009/105228 A2 8/2009
 WO WO2015/132077 A1 9/2015
 WO WO2015/166820 A1 11/2015
 WO WO2015/171446 A1 11/2015
 WO WO2016/045971 A1 3/2016
 WO WO2016/045978 A1 3/2016
 WO WO2016/164533 A1 10/2016
 WO WO2017/017264 A1 2/2017
 WO WO2017/093245 A1 6/2017

OTHER PUBLICATIONS

BorgWarner "Polymer Fans" Product Sheet (2010), 2 pages.
 BorgWarner "Thermal Systems" Product Sheet (Accessed Online Jul. 25, 2017), 7 pages.
 BorgWarner "X Series Fans" Product Sheet (2010), 2 pages.
 BorgWarner "Products [Polymer Fans]" web page; <https://www2.borgwarner.com/en/Thermal/products/Pages/Polymer-Fans.aspx> (Accessed Online Jul. 25, 2017), 2 pages.
 Horton, Inc. "HEHF Fan" web page; <https://www.hortonww.com/on-highway/fans/hehf.html> (Accessed Online Jul. 25, 2017), 5 pages.
 Horton, Inc. "HS9 Nylon Fan" web page; <https://www.hortonww.com/on-highway/fans/hs9-standard-fan.html> (Accessed Online Jul. 25, 2017), 5 pages.
 Horton, Inc. "HS11 Nylon Fan" web page; <https://www.hortonww.com/on-highway/fans/hs11-standard-fan.html> (Accessed Online Jul. 25, 2017), 5 pages.
 Horton, Inc. "MS9 Nylon Fan" web page; <https://www.hortonww.com/on-highway/fans/ms9-standard-fan.html> (Accessed Online Jul. 25, 2017), 5 pages.
 Horton, Inc. "Windmaster Molded Ring Fans" web page; <https://www.hortonww.com/on-highway/fans/molded-ring-fans.html> (Accessed Online Jul. 25, 2017) 5 pages.
 Horton, Inc. "Windmaster MS8 Nylon Standard Fan" web page; <https://www.hortonww.com/on-highway/fans/ms8-standard-fans.html> (Accessed Online Jul. 25, 2017), 5 pages.

(56)

References Cited

OTHER PUBLICATIONS

Horton, Inc. "Windmaster Nylon LS11 Standard Fans" web page; <https://www.hortonww.com/on-highway/fans/ls11-standard-fans.html> (Accessed Online Jul. 25, 2017), 5 pages.

Mahle Group, "Visco(R) fans and Visco(R) fan drives" web page; <http://www.mahle.com/mahle/en/products-and-services/commercial-vehicles/cooling/visco-fans-and-visco-fan-drives/index.jsp> (Accessed Online Jul. 25, 2017), 1 page.

* cited by examiner

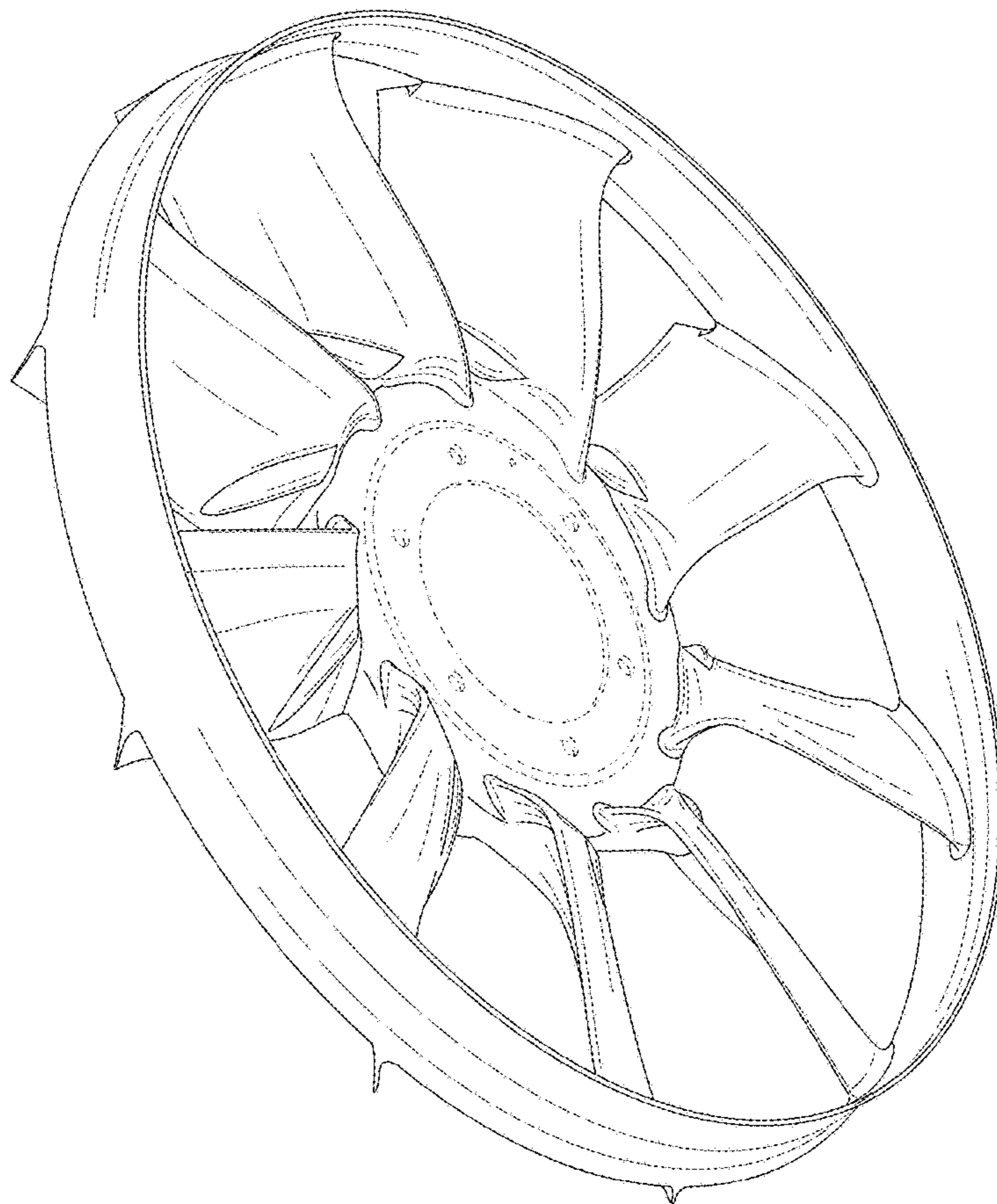


FIG. 1

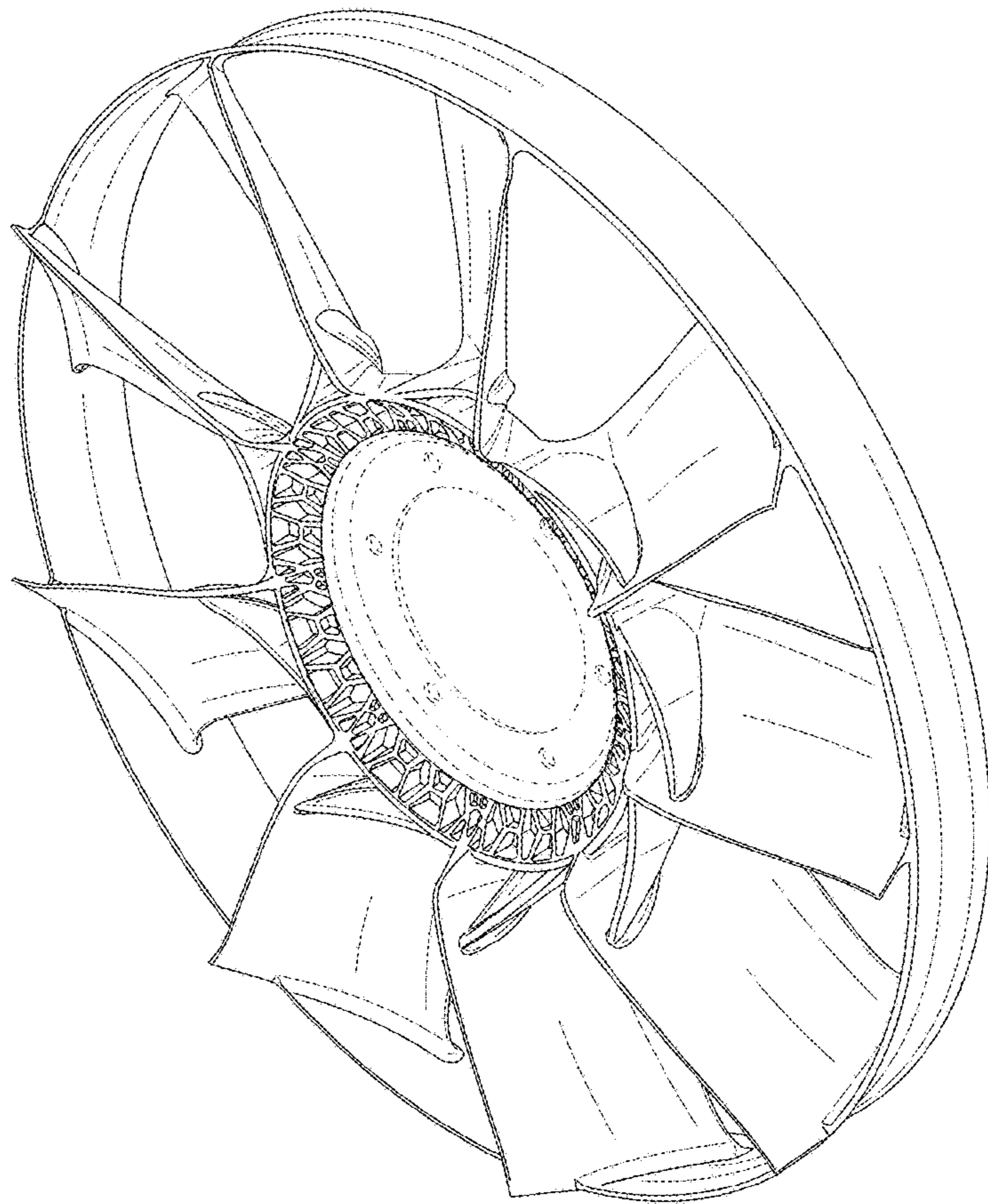


FIG. 2

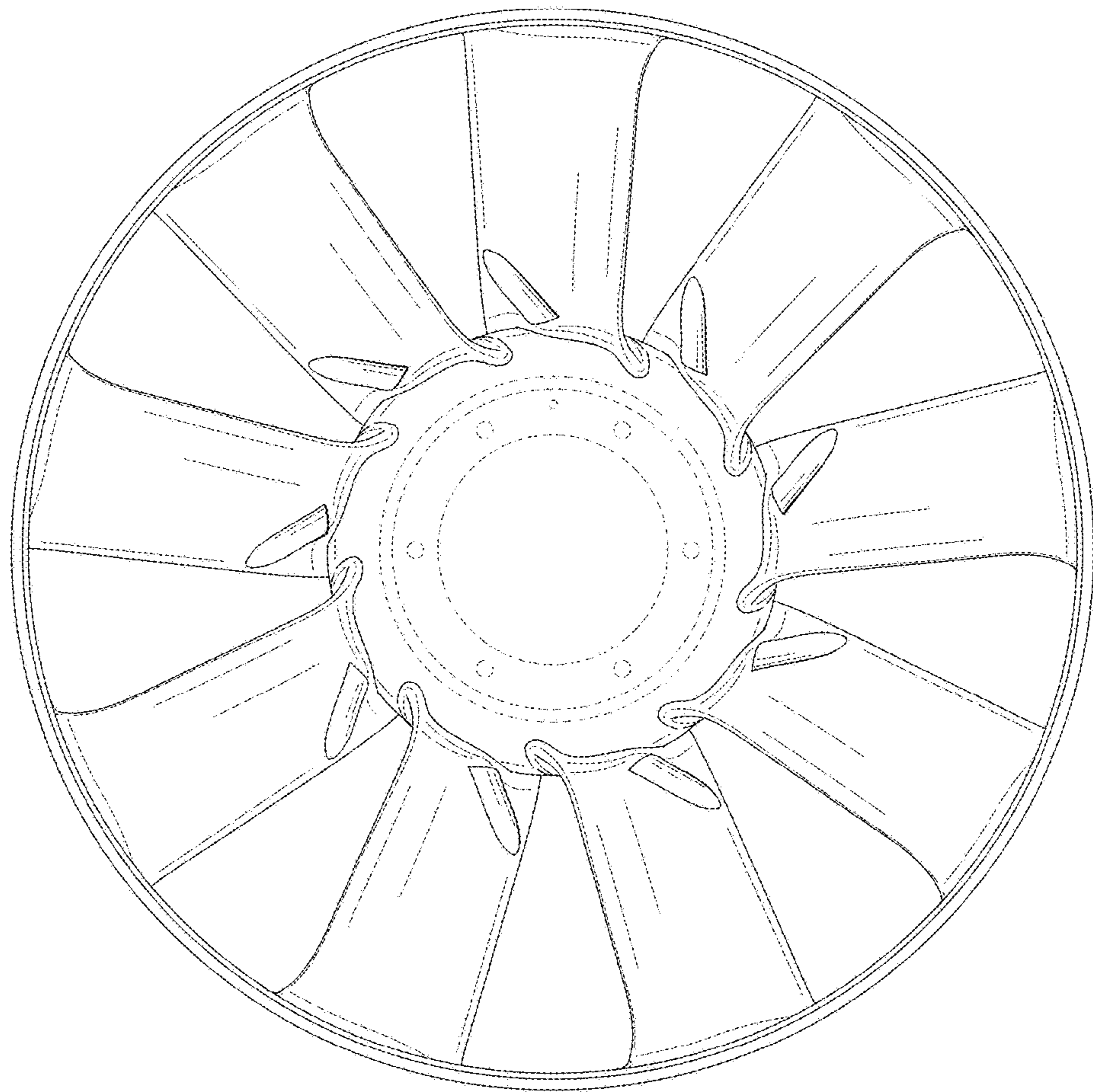


FIG. 3

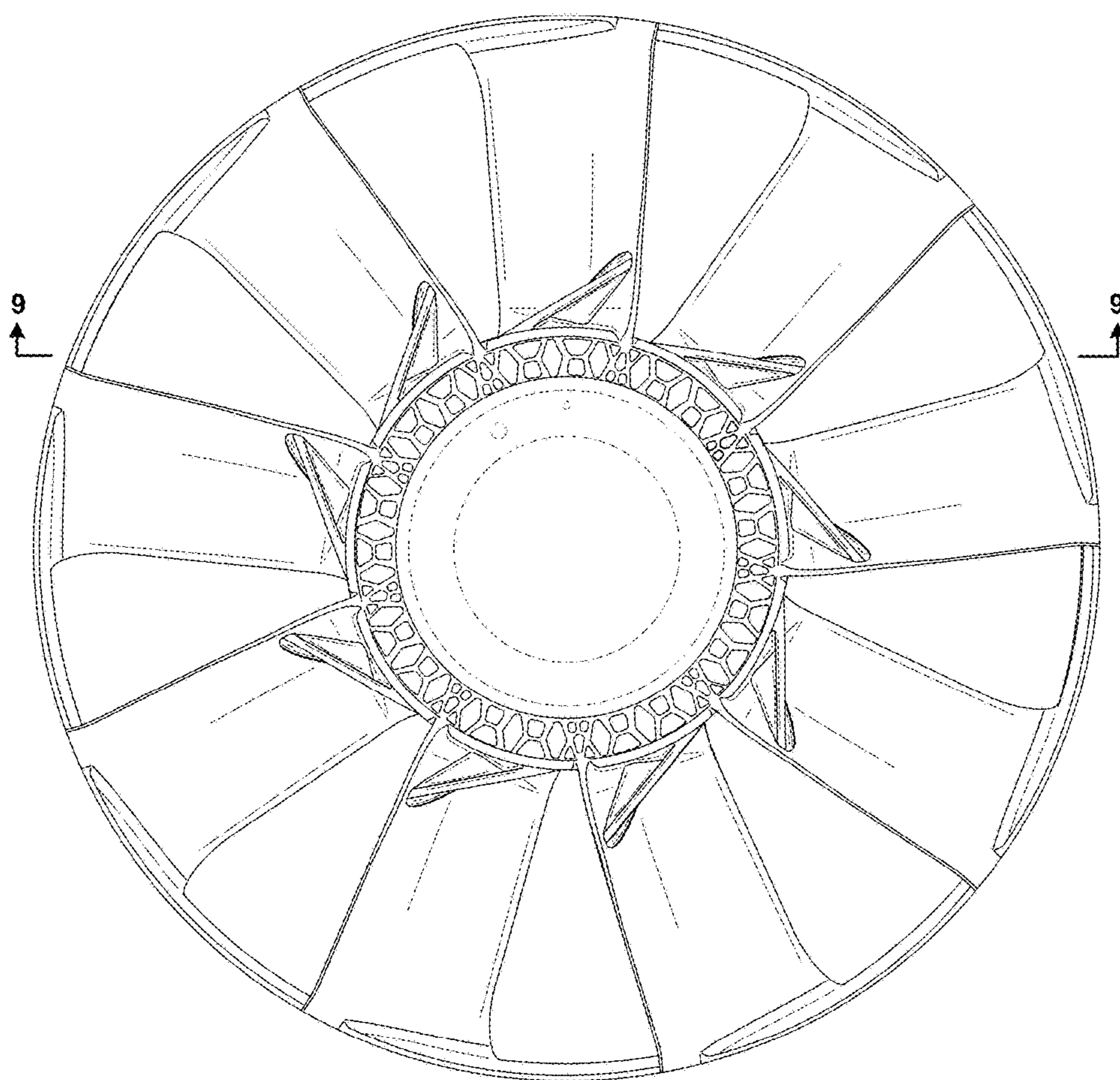


FIG. 4

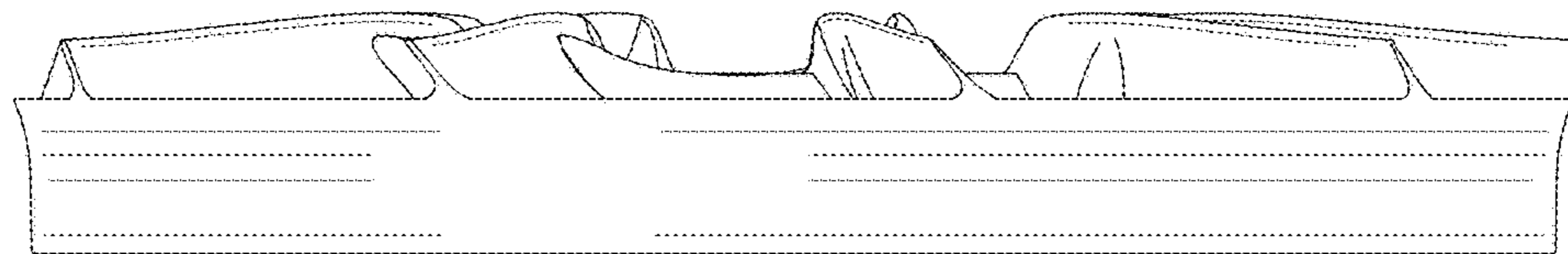


FIG. 5

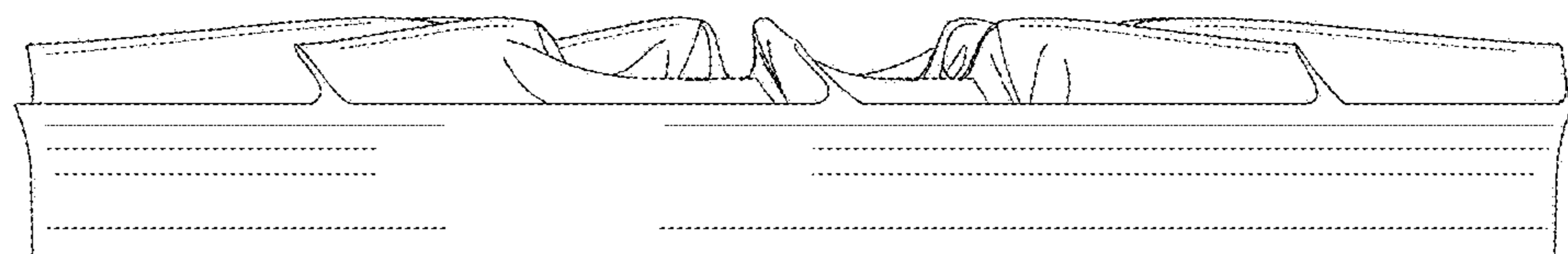


FIG. 6

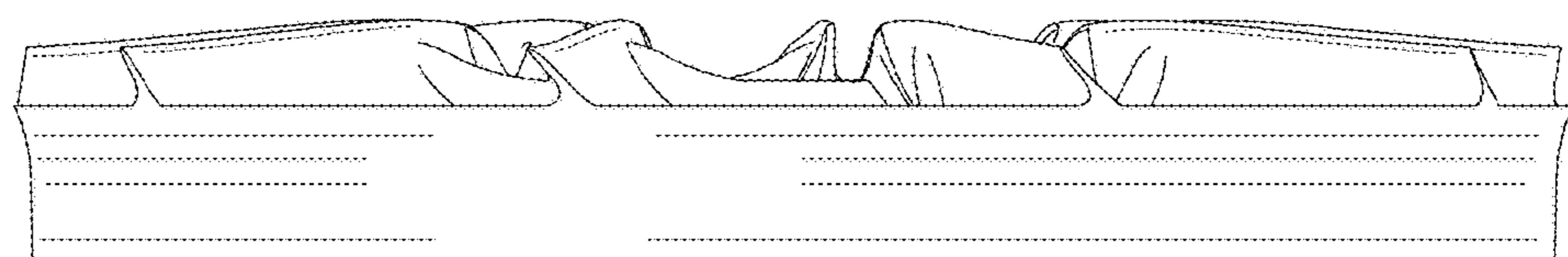


FIG. 7

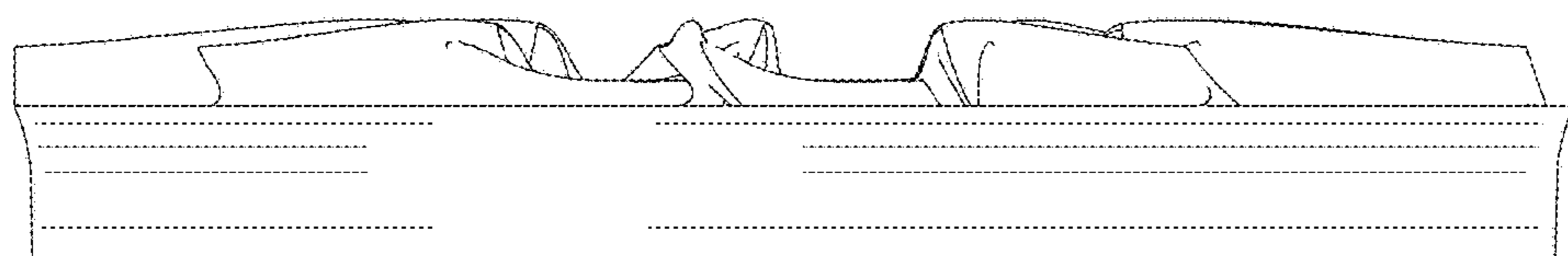


FIG. 8

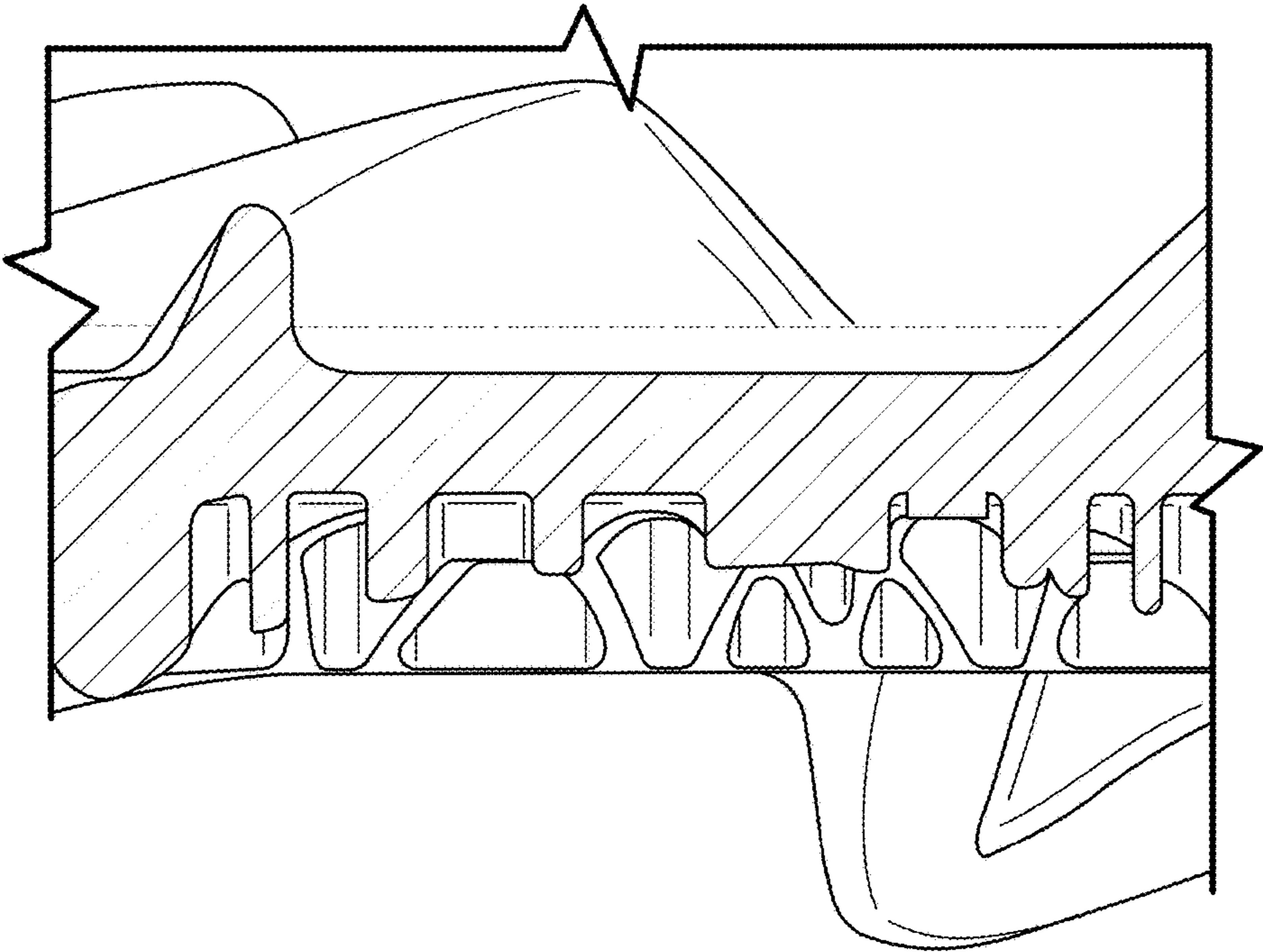


FIG. 9