



US00D860426S

(12) **United States Design Patent**  
**Hugues et al.**

(10) **Patent No.:** **US D860,426 S**

(45) **Date of Patent:** **\*\* Sep. 17, 2019**

(54) **AIR FILTER**

(71) Applicant: **Camfil AB**, Stockholm (SE)

(72) Inventors: **Mathieu Hugues**, Vagnhärad (SE);  
**Sverker Hugert**, Trosa (SE)

(73) Assignee: **CAMFIL AB** (SE)

(\*\*) Term: **15 Years**

(21) Appl. No.: **29/627,797**

(22) Filed: **Nov. 29, 2017**

(30) **Foreign Application Priority Data**

May 29, 2017 (EM) ..... 004022788-0006

(51) **LOC (12) Cl.** ..... **23-04**

(52) **U.S. Cl.**  
USPC ..... **D23/365**

(58) **Field of Classification Search**

USPC ..... D23/209, 235, 341, 358, 363–365;  
D15/5; D32/21–25, 31, 32

CPC ..... F02M 35/04; F02M 35/10; F02M 35/024;  
B01D 46/0002; B01D 46/10

See application file for complete search history.

(56) **References Cited**

**U.S. PATENT DOCUMENTS**

2,952,333 A \* 9/1960 Bush ..... B01D 46/10  
55/500

3,423,908 A \* 1/1969 Hart ..... B01D 46/0004  
55/481

D278,553 S \* 4/1985 Cherry ..... D23/365

4,685,944 A \* 8/1987 Allan ..... B01D 46/0004  
55/491

D380,537 S \* 7/1997 Ellwood ..... D23/364

6,485,538 B1 \* 11/2002 Toyoshima ..... B01D 46/0005  
55/482  
8,523,972 B2 \* 9/2013 Borkent ..... B01D 46/0023  
55/484  
D742,496 S \* 11/2015 Carter ..... D23/365  
9,205,359 B2 \* 12/2015 Kelmartin ..... B01D 46/0002  
9,393,513 B2 \* 7/2016 Hiroto ..... B01D 46/10  
9,522,355 B2 \* 12/2016 Kohn ..... B01D 46/0016  
9,682,338 B2 \* 6/2017 Eyers ..... B01D 46/008  
2009/0193773 A1 \* 8/2009 Sundvik ..... B01D 46/125  
55/478

\* cited by examiner

*Primary Examiner* — Lakiya G Rogers

*Assistant Examiner* — John A Voytek

(74) *Attorney, Agent, or Firm* — Condo Roccia Koptiw  
LLP

(57) **CLAIM**

The ornamental design for an air filter, as shown and described.

**DESCRIPTION**

FIG. 1 is a first perspective view of the filter embodying our new design;

FIG. 2 is a second perspective view the filter of FIG. 1;

FIG. 3 is a top view the filter of FIG. 1;

FIG. 4 is a first side view the filter of FIG. 1;

FIG. 5 is a second side view the filter of FIG. 1;

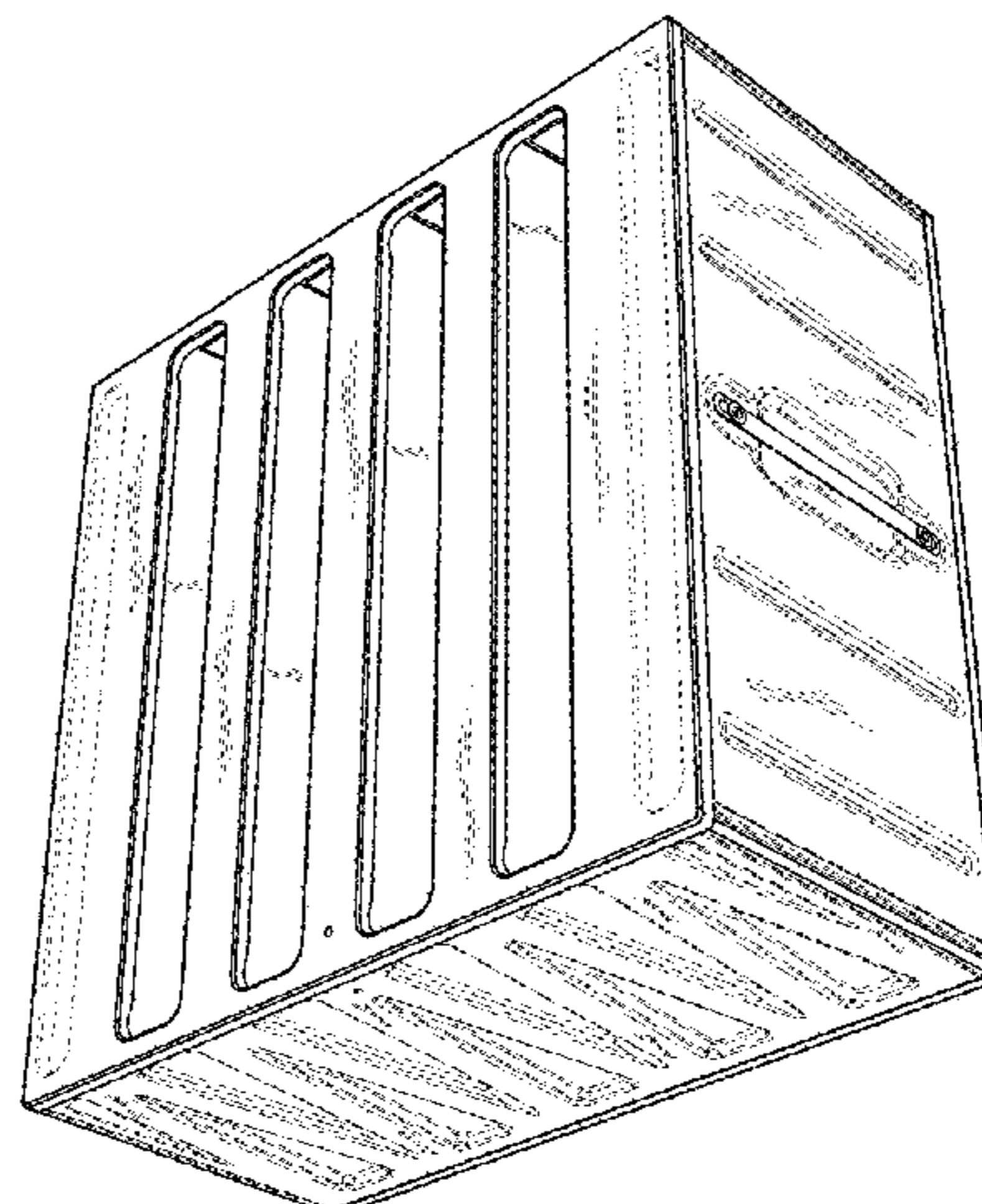
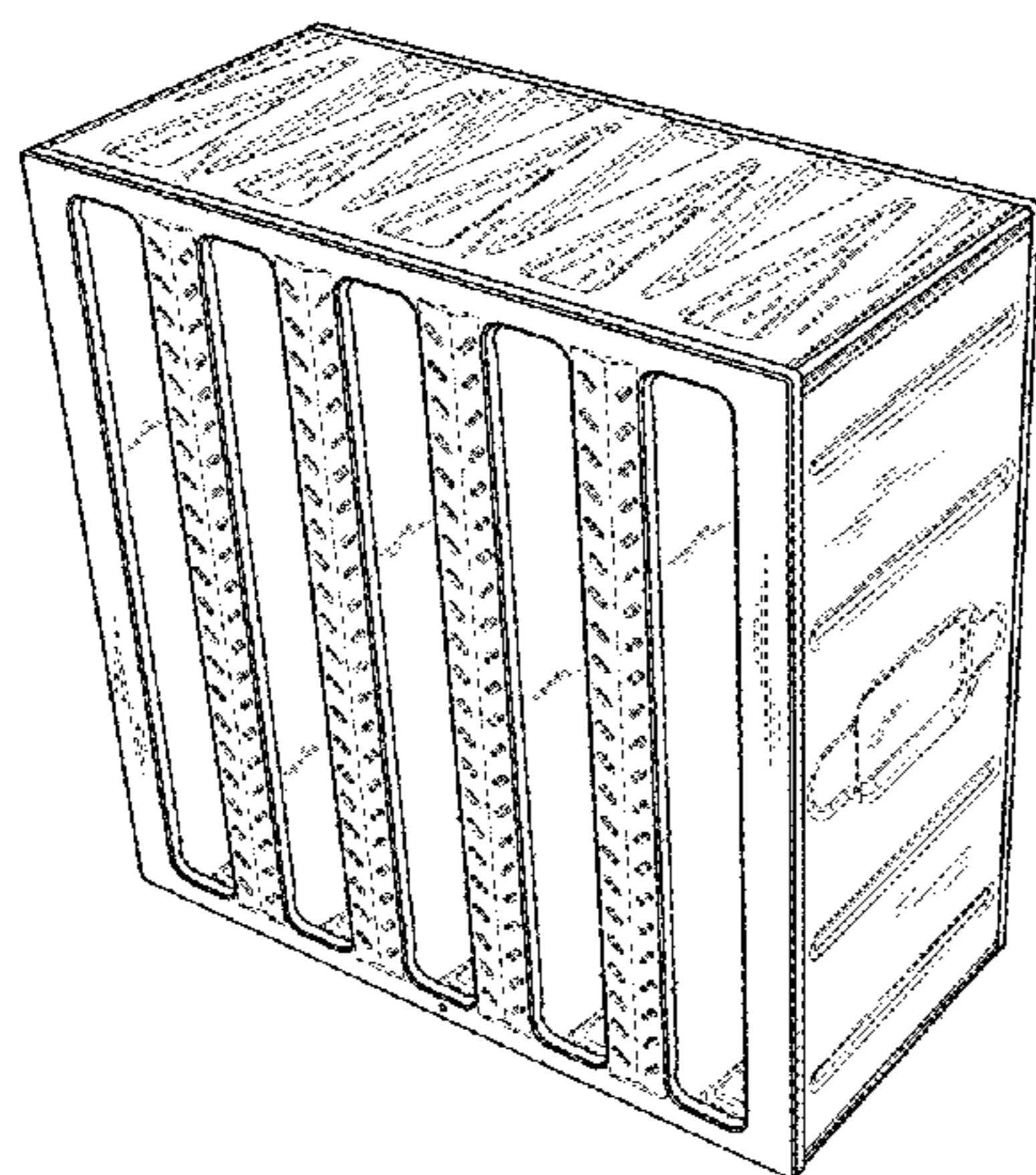
FIG. 6 is a third side view the filter of FIG. 1; and,

FIG. 7 is a fourth side view the filter of FIG. 1.

Although not shown, a bottom view of the filter of FIG. 1 is identical to the top view shown in FIG. 3 and corresponds to an opposite side of the filter shown in FIG. 3.

In the drawings, the broken lines show portions of the filter that form no part of the claim.

**1 Claim, 7 Drawing Sheets**



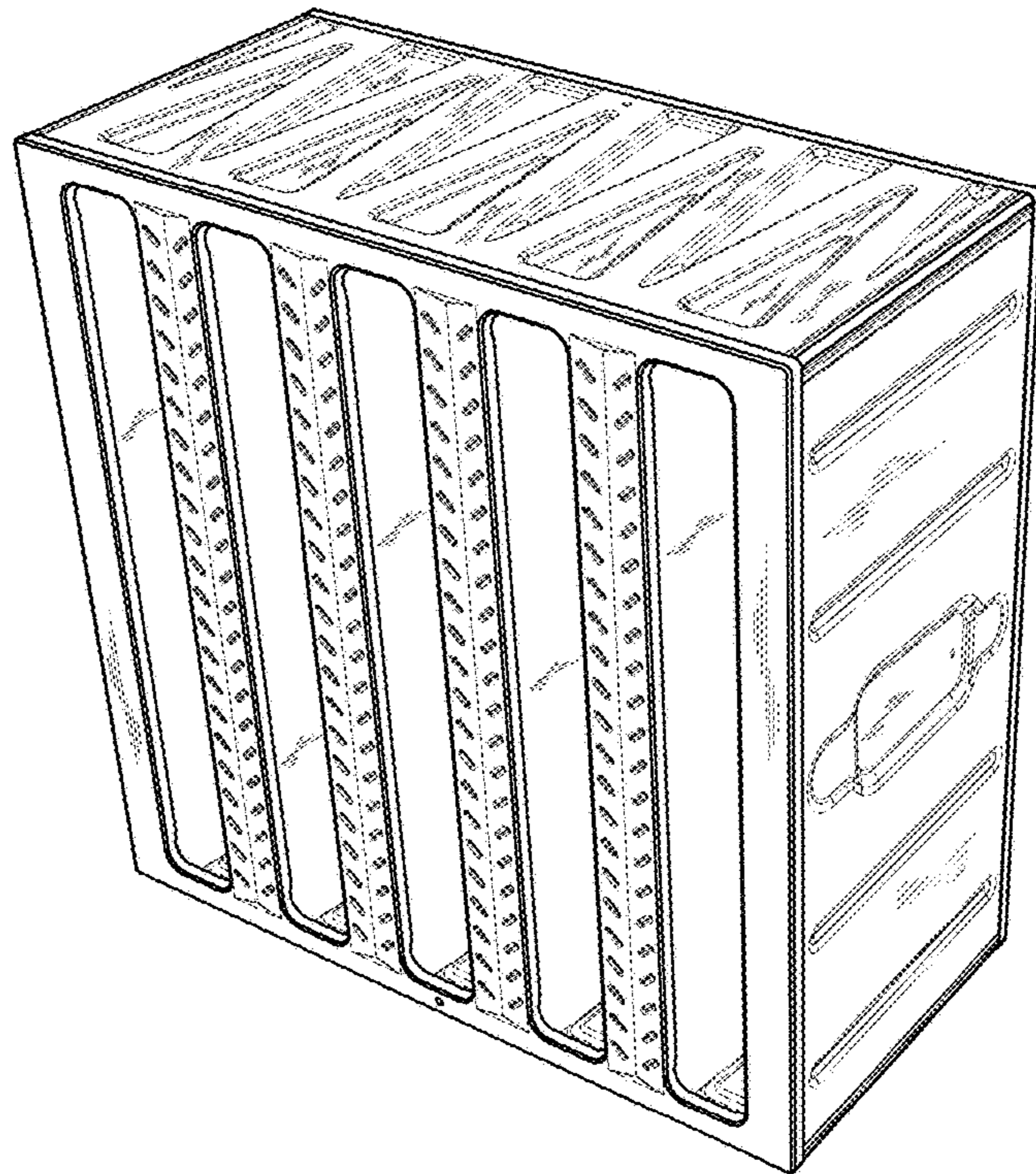


Fig. 1

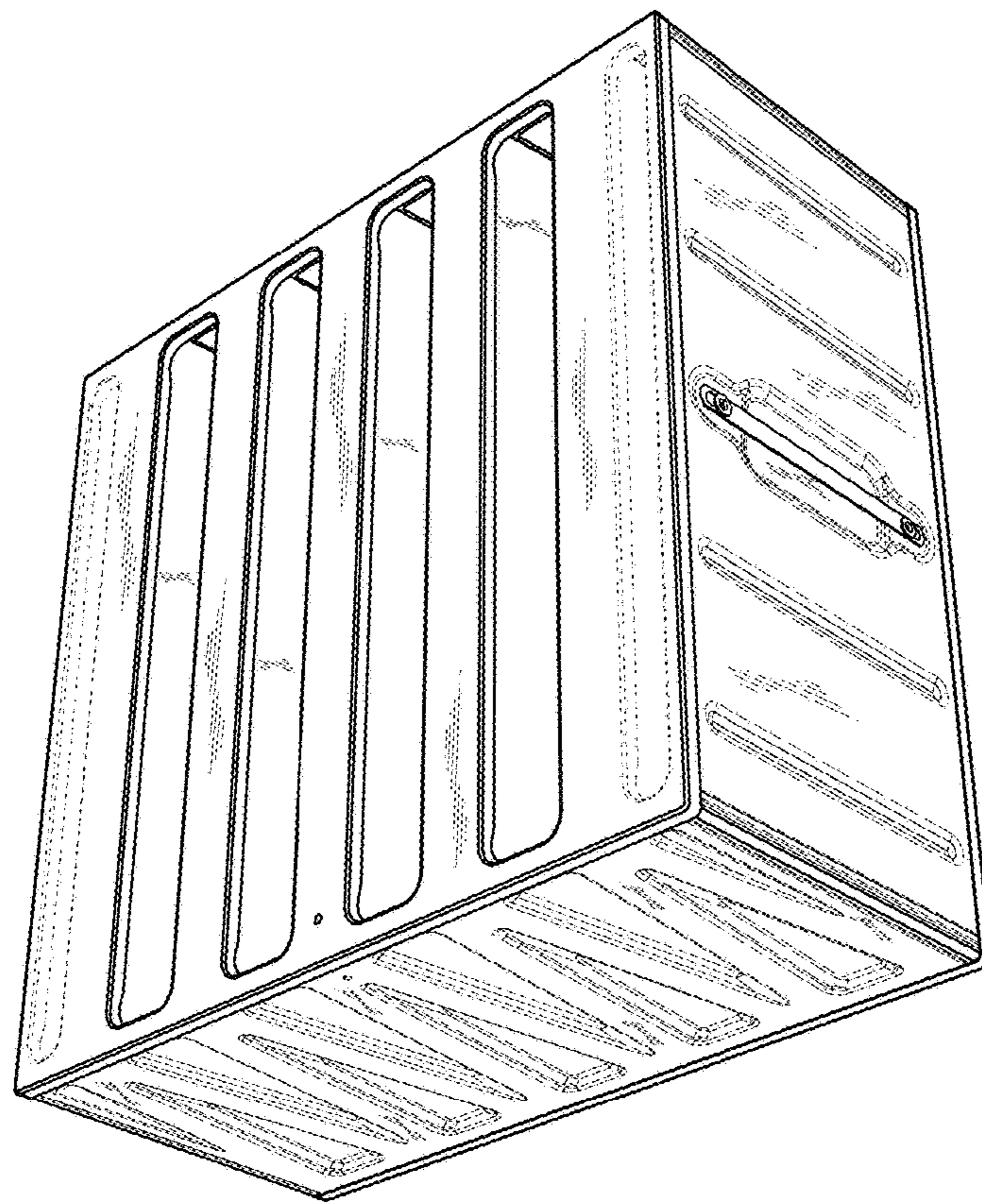


Fig. 2

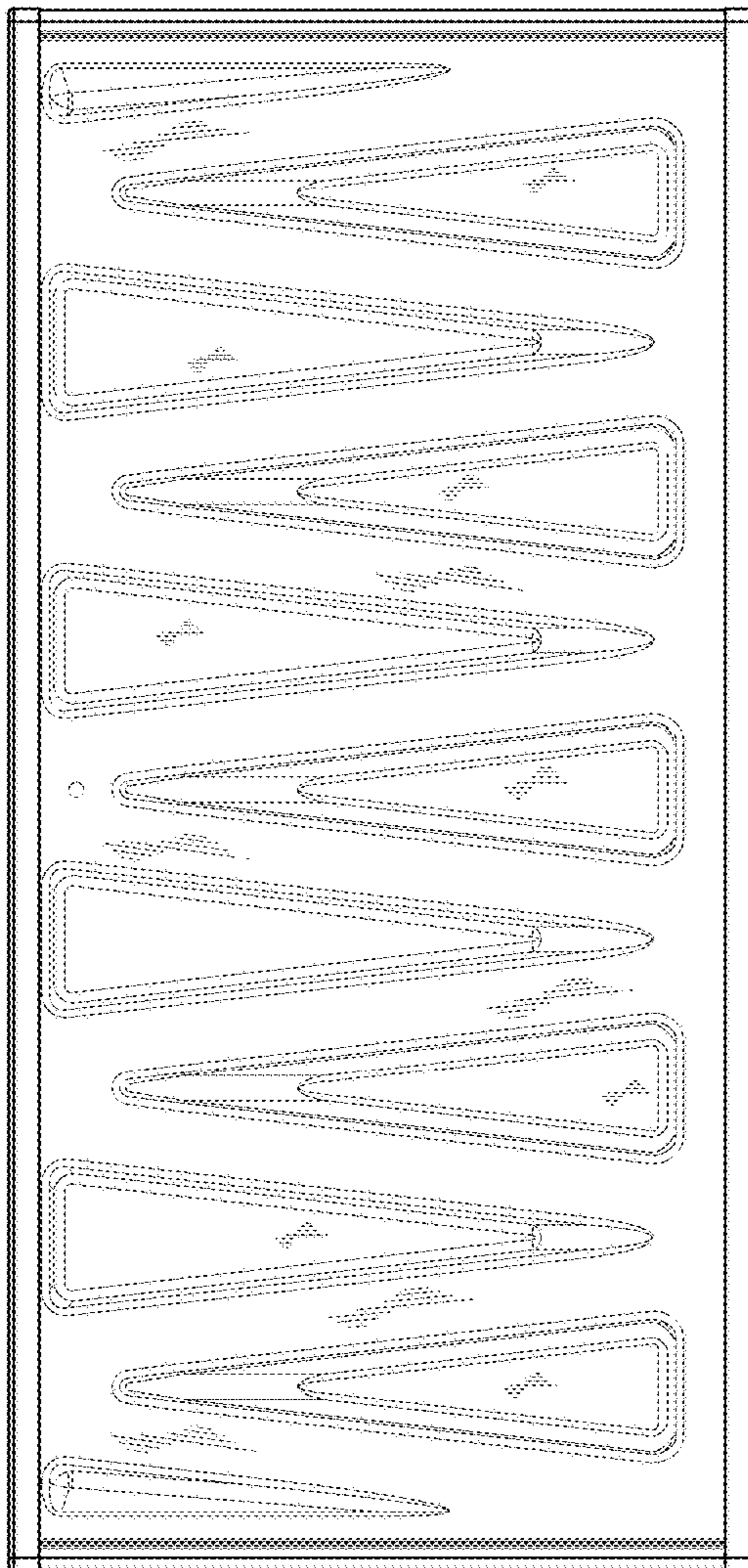


Fig. 3

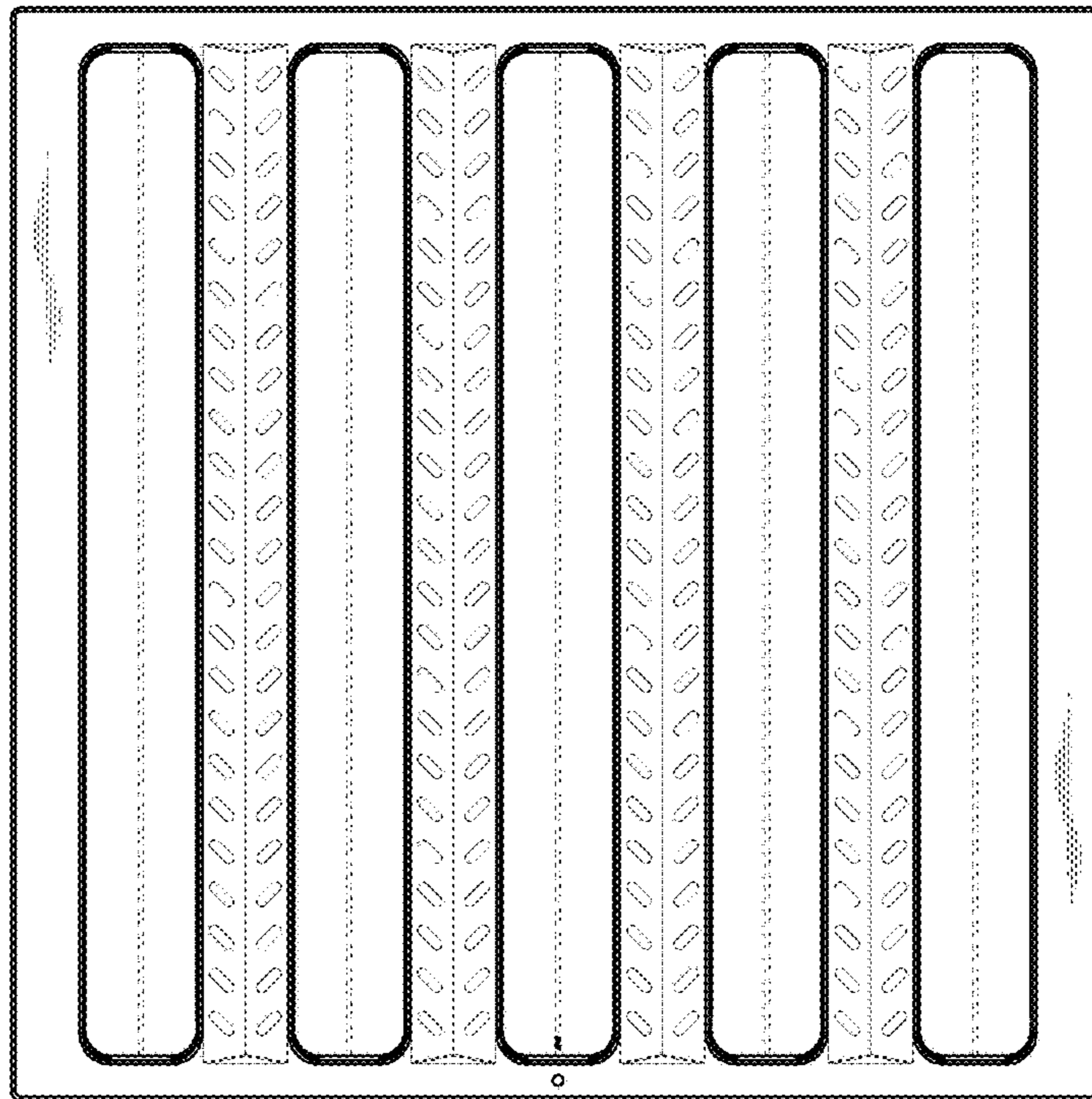


Fig. 4

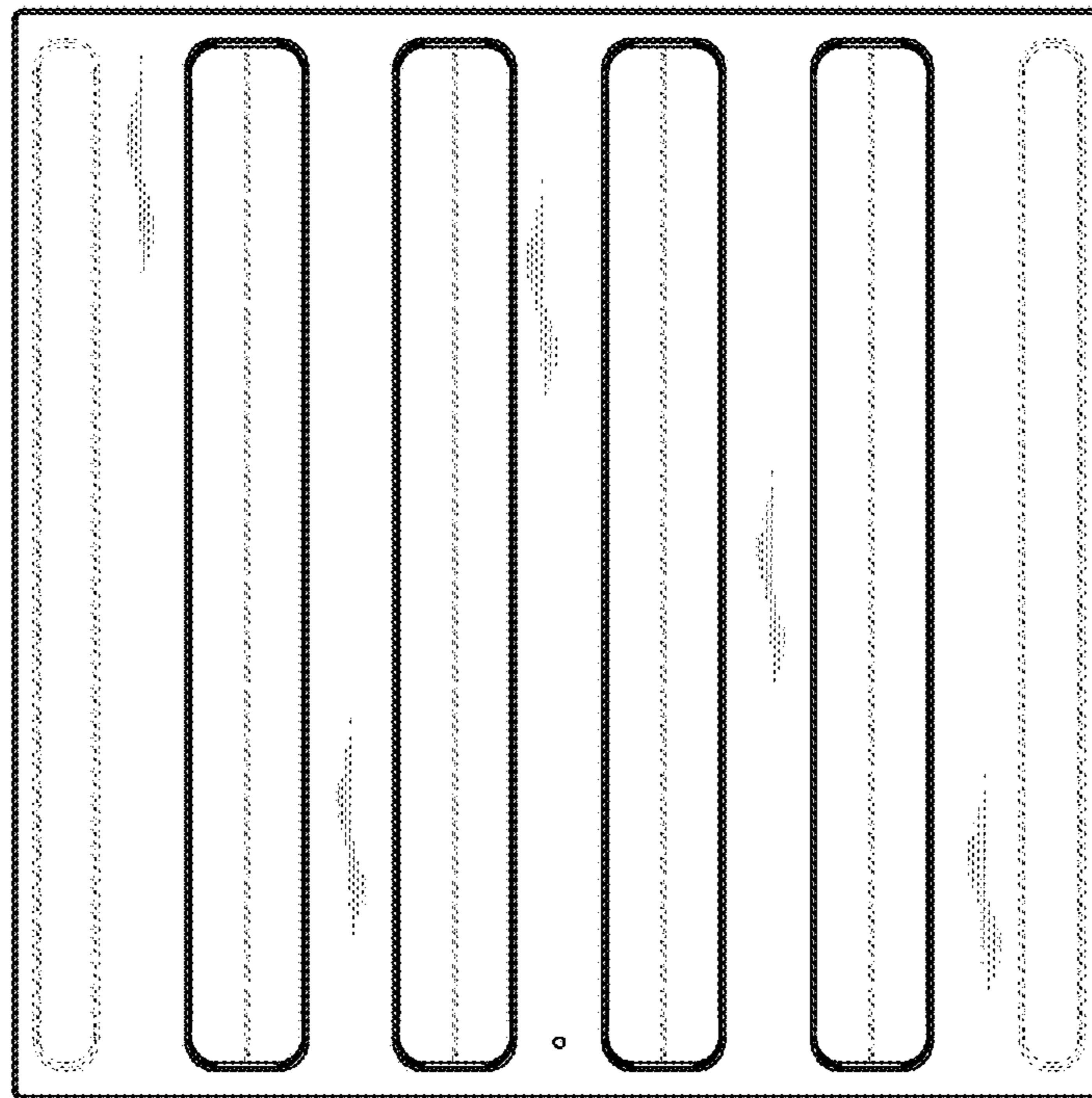


Fig. 5

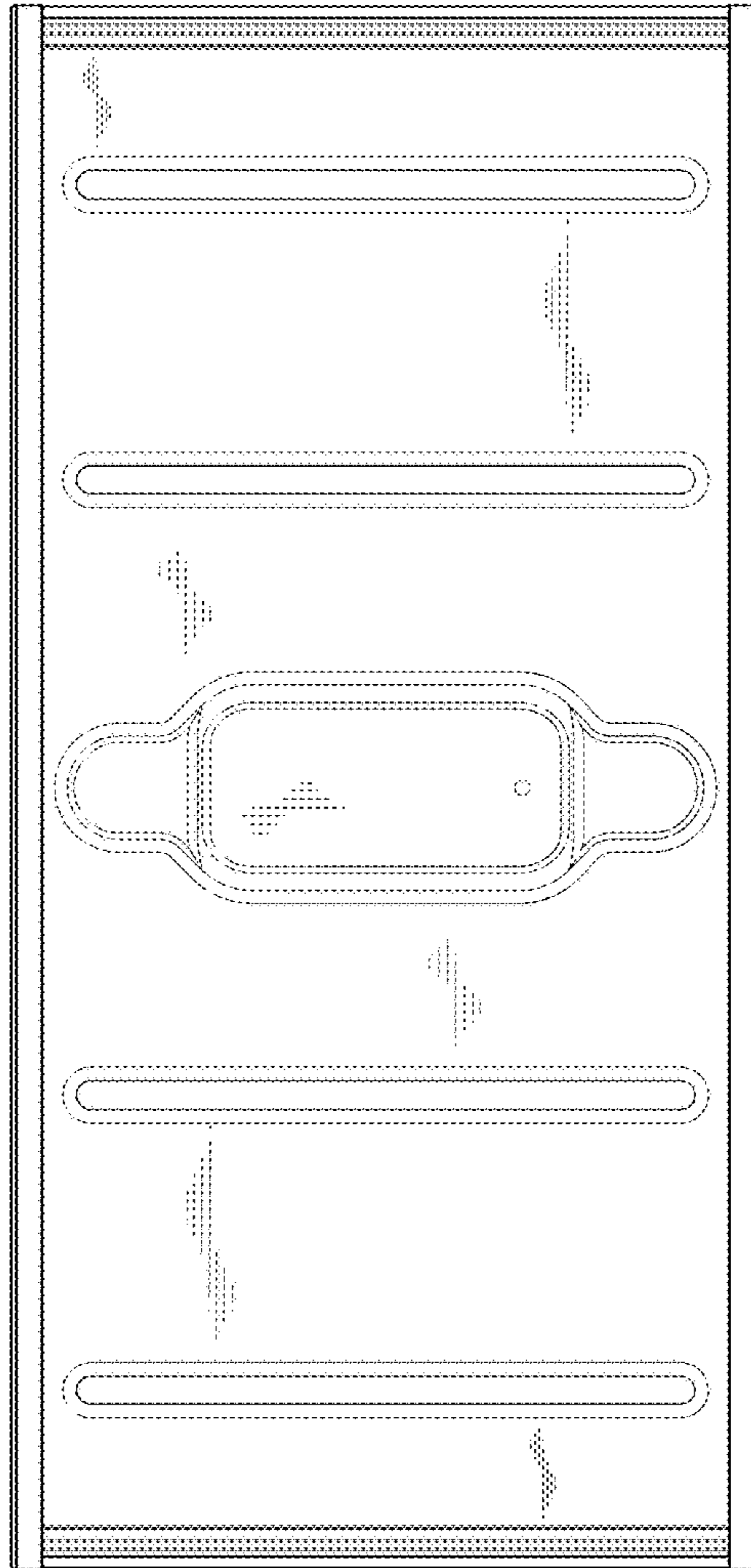


Fig. 6

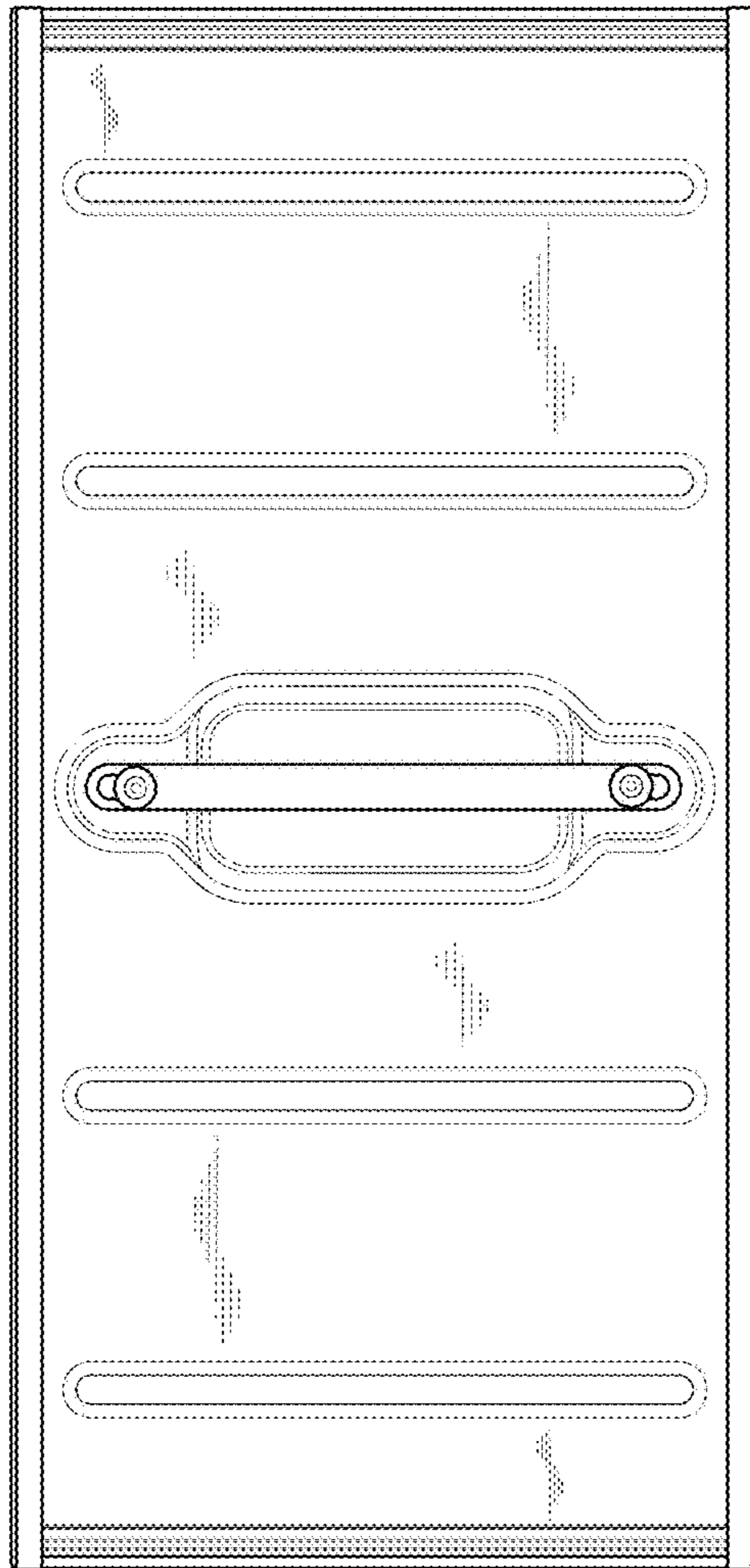


Fig. 7