

US00D860425S

(12) **United States Design Patent** (10) **Patent No.:** **US D860,425 S**  
**Lobdell et al.** (45) **Date of Patent:** **\*\* Sep. 17, 2019**

(54) **AIR PURIFIER**

(71) Applicant: **CARICO INTERNATIONAL, INC.**,  
Fort Lauderdale, FL (US)

(72) Inventors: **Vince G. Lobdell**, Pulaski, NY (US);  
**Richard R. Cappadona**, Boca Raton,  
FL (US)

(\*\*) Term: **15 Years**

(21) Appl. No.: **29/634,388**

(22) Filed: **Jan. 22, 2018**

(51) **LOC (12) Cl.** ..... **23-04**

(52) **U.S. Cl.**  
USPC ..... **D23/364**

(58) **Field of Classification Search**  
USPC ..... D23/355–366, 352, 369, 332, 333, 335,  
D23/336, 342, 351; 422/120, 122;  
55/356, 473, 504; 96/97; D14/188, 170,  
D14/172; 261/DIG. 17, DIG. 65,  
261/DIG. 88, DIG. 31; D18/34.6  
CPC .. A61L 9/16; A61L 9/22; B01D 47/00; B01D  
47/027; B01D 2221/02; B01D 2259/4508;  
B03C 3/155; B03C 3/368; F24F 3/16;  
F24F 13/20; F24F 13/28; F24F 3/1405;  
F24F 3/1603; F24F 13/222  
See application file for complete search history.

(56) **References Cited**

**U.S. PATENT DOCUMENTS**

D411,879 S \* 7/1999 Stanek ..... D23/356  
D503,971 S \* 4/2005 Otaki ..... D15/79  
D556,250 S \* 11/2007 Kent ..... D18/34.6  
D577,800 S \* 9/2008 Yoon ..... D23/359  
D611,132 S \* 3/2010 Borgi ..... D23/355  
D621,019 S \* 8/2010 Kim ..... D23/356  
D673,665 S \* 1/2013 Langford ..... D23/359  
D678,494 S \* 3/2013 Wolfe ..... D23/359  
D744,077 S \* 11/2015 Yasukochi ..... D23/364

D748,235 S \* 1/2016 Yamashita ..... D23/364  
D788,894 S \* 6/2017 Qin ..... D23/333  
2010/0071399 A1\* 3/2010 Yoon ..... F24F 3/153  
62/291  
2011/0016904 A1\* 1/2011 Yoon ..... F24F 3/1405  
62/285

**OTHER PUBLICATIONS**

youtube.com, Nutri-tech Air purification System video, 2-218,  
<https://www.youtube.com/watch?v=WtHxhldaug>.\*

\* cited by examiner

*Primary Examiner* — David G Muller

*Assistant Examiner* — Nathan M Johnston

(74) *Attorney, Agent, or Firm* — Jones Day

(57) **CLAIM**

The ornamental design for an air purifier, as shown and described.

**DESCRIPTION**

FIG. 1 is a perspective view of the air purifier showing our new design;

FIG. 2 is a front view thereof.

FIG. 3 is a rear view thereof.

FIG. 4 is a left side view thereof.

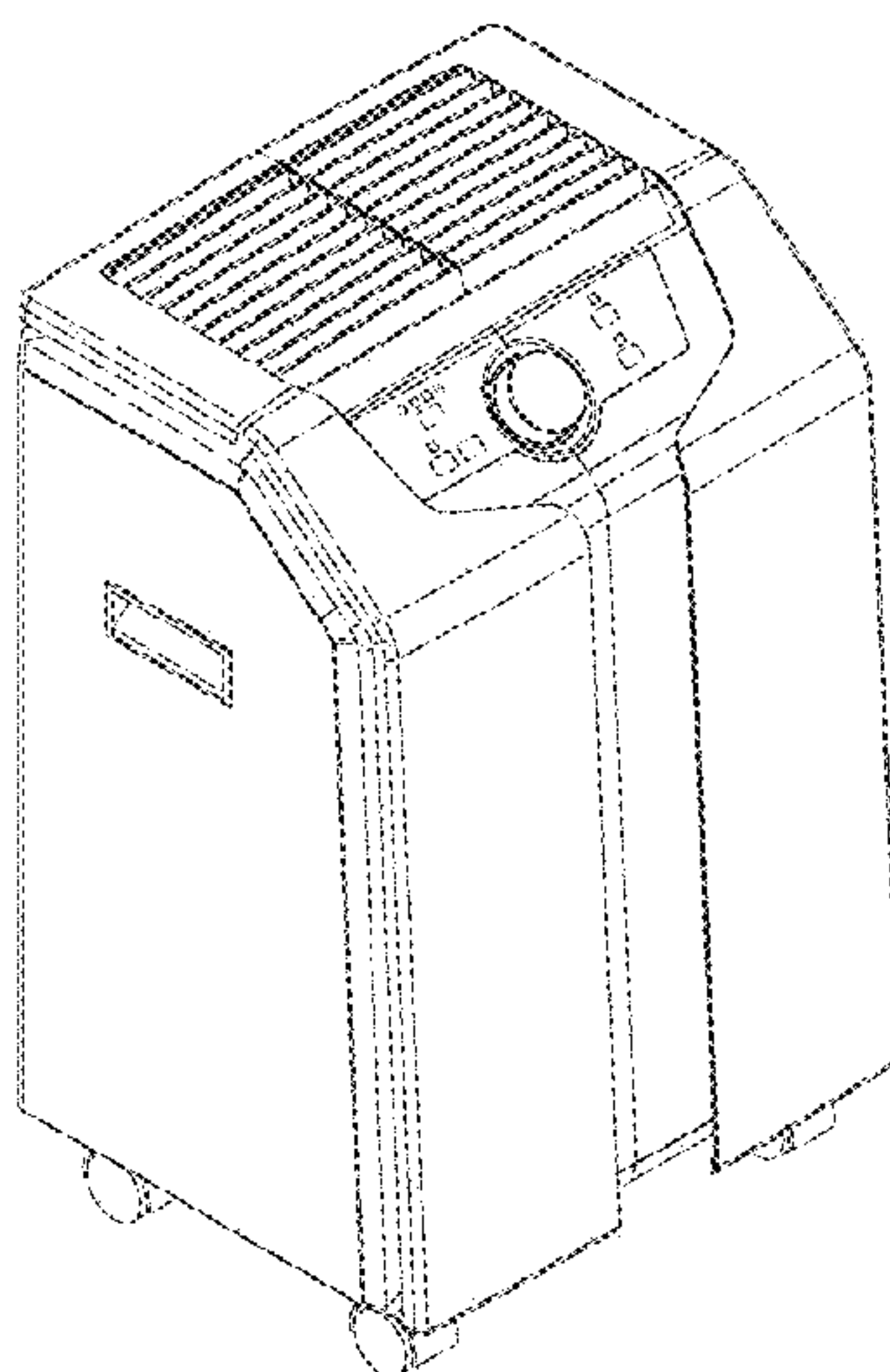
FIG. 5 is a right side view thereof.

FIG. 6 is a top view thereof; and,

FIG. 7 is a bottom view thereof.

Some of the solid lines in the figures are radius-transition lines that demarcate where a surface's curvature transitions from one radius to another. Such radius-transition lines would not appear as visible lines to an observer of the air purifier.

**1 Claim, 6 Drawing Sheets**



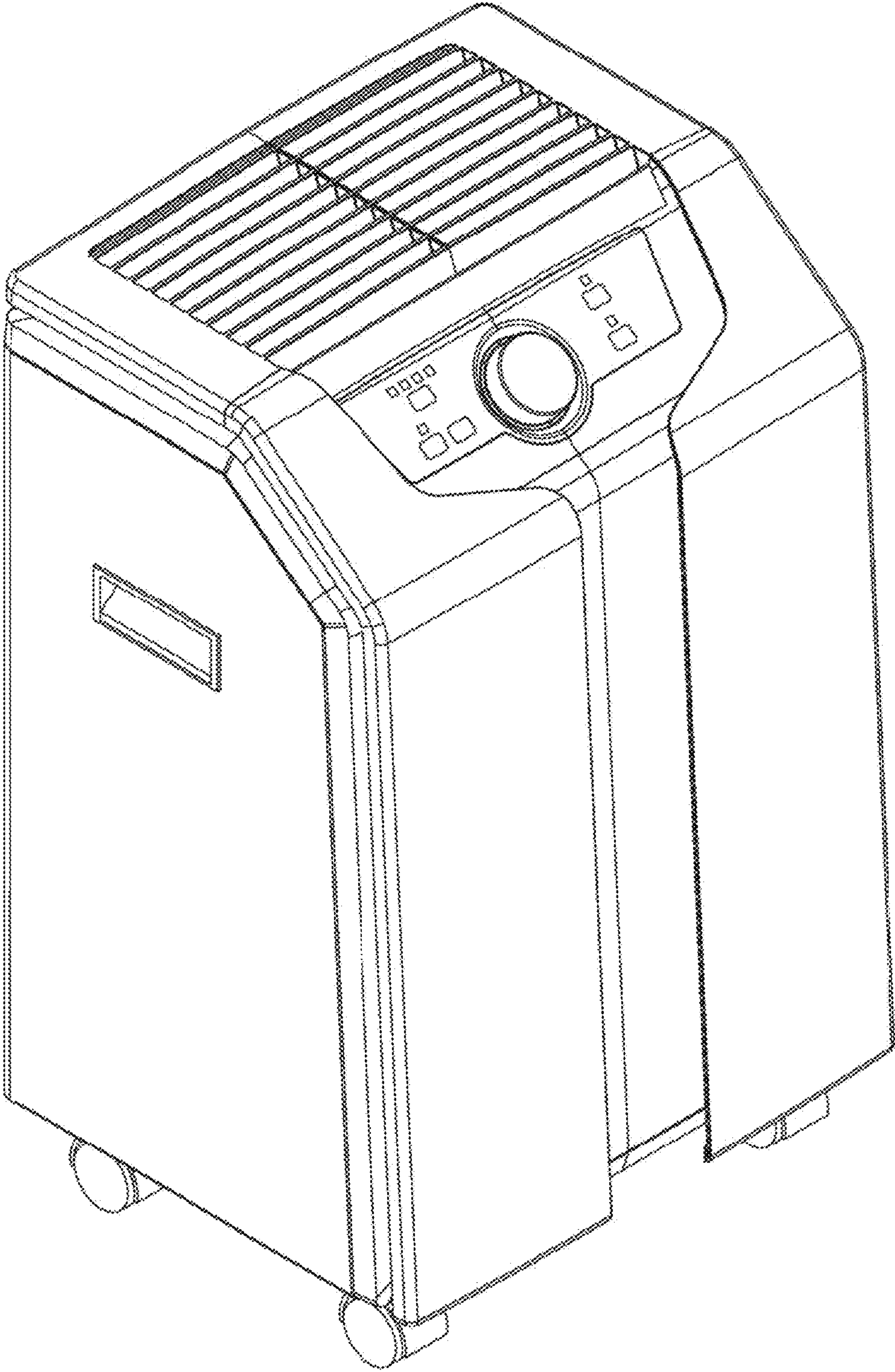


FIG. 1

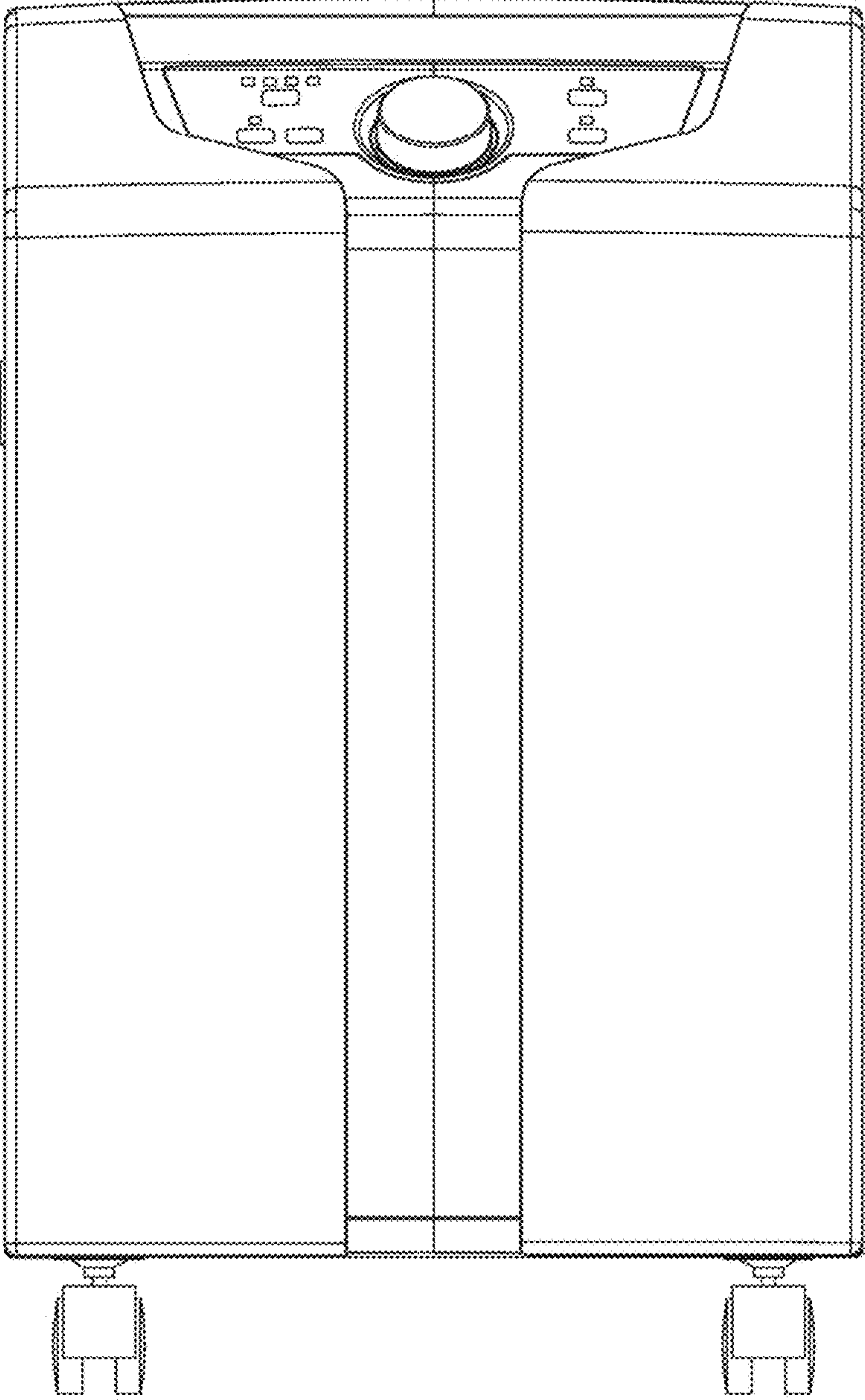


FIG. 2



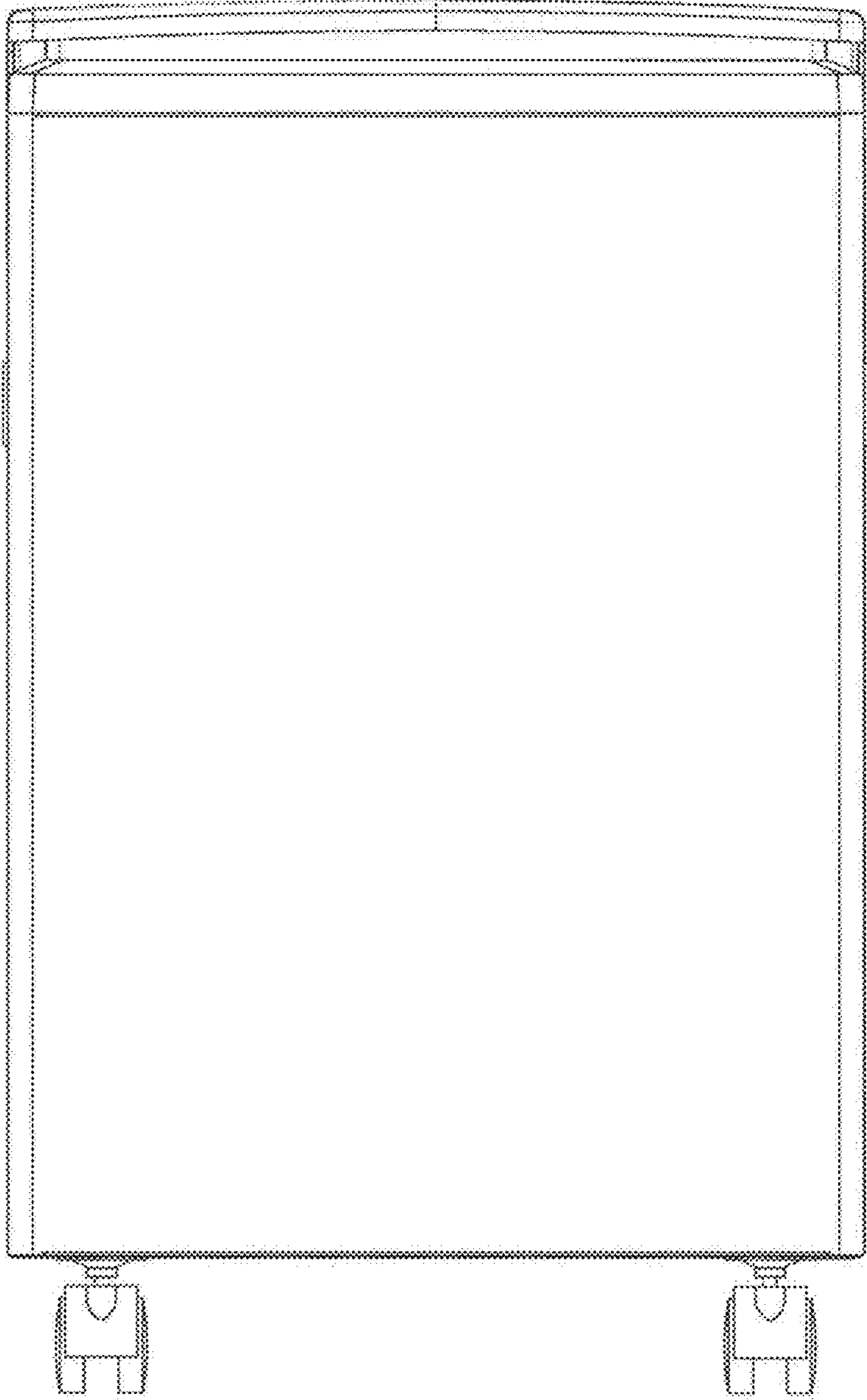


FIG. 3

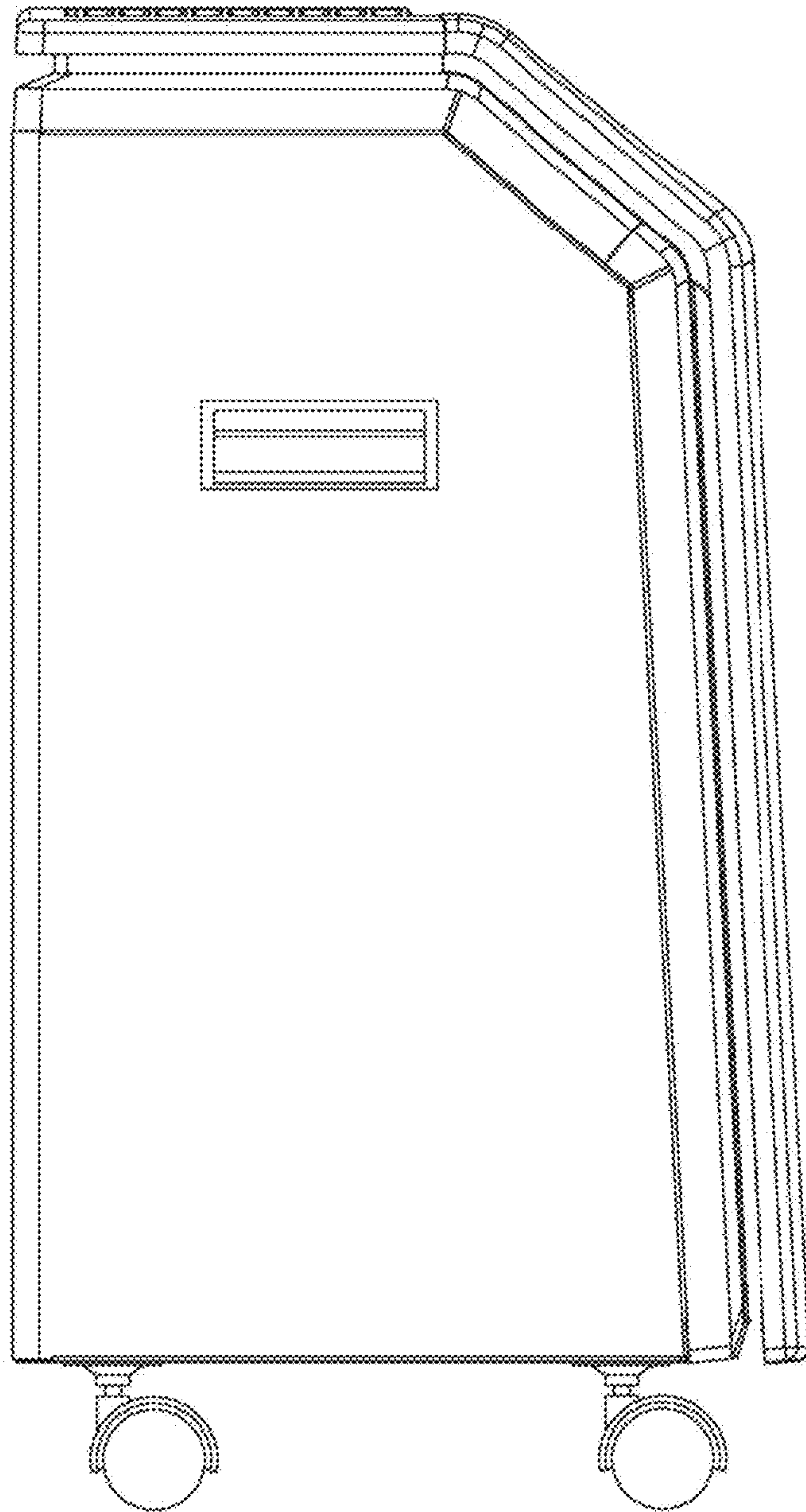


FIG. 4

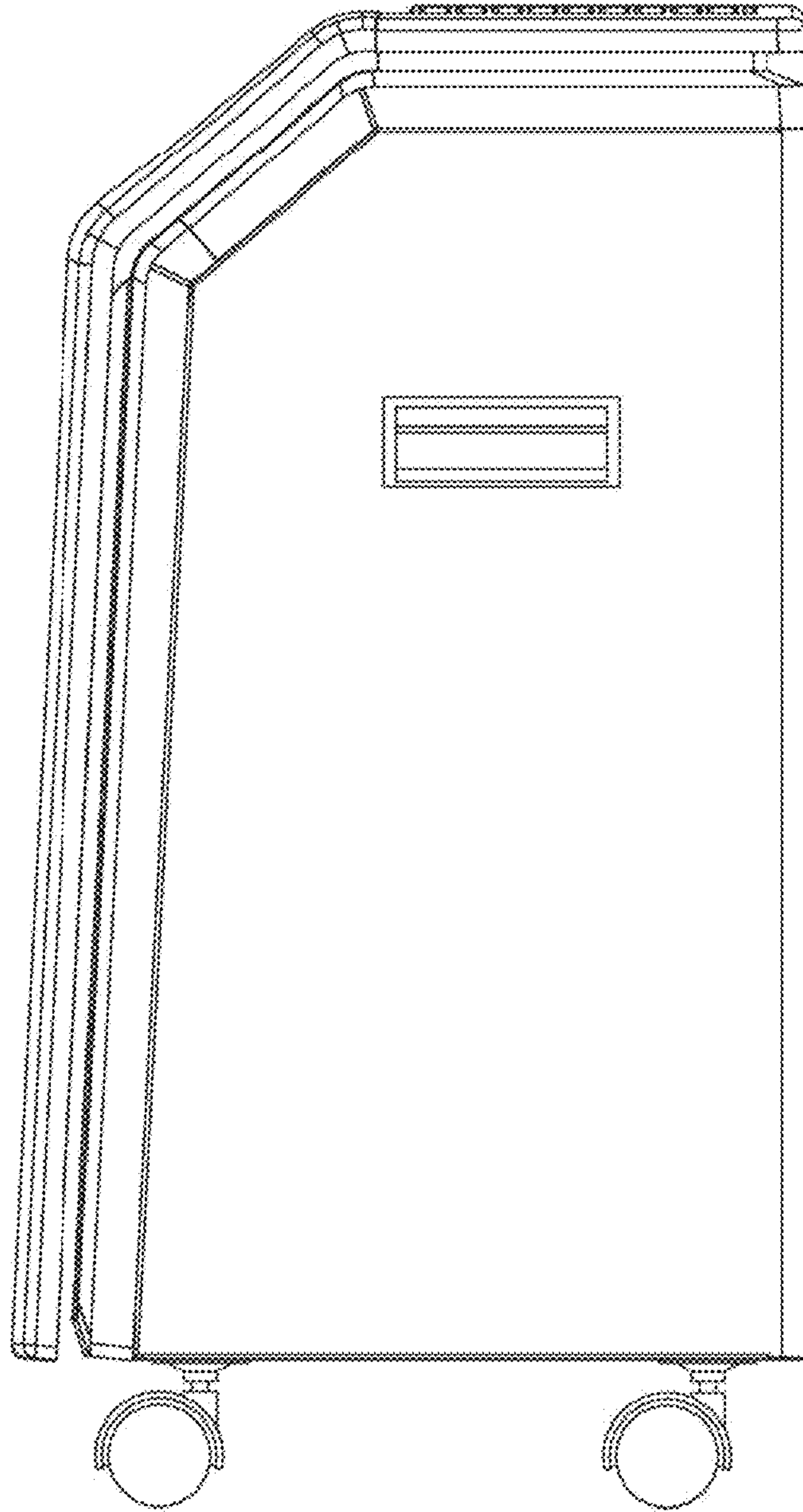


FIG. 5

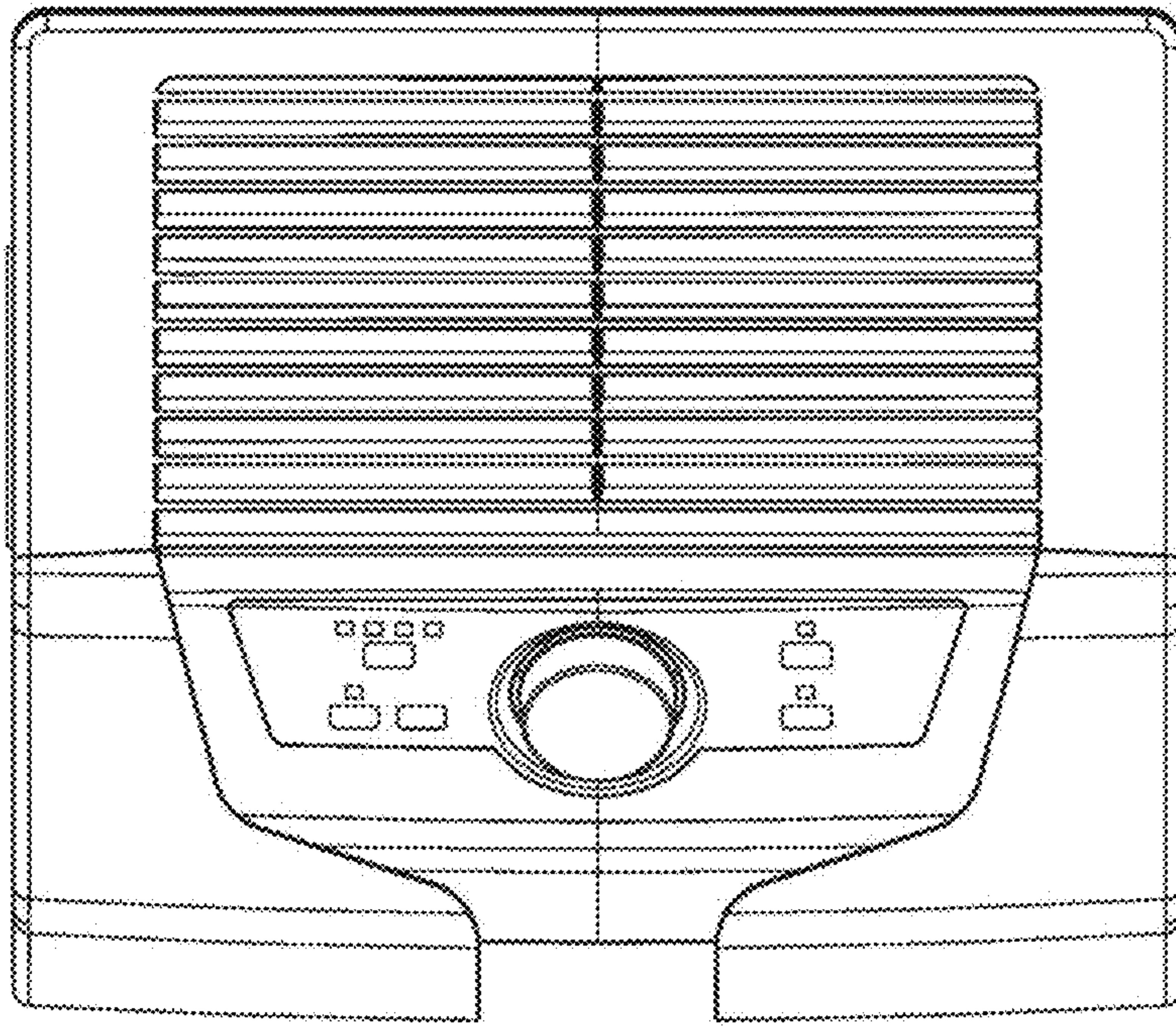


FIG. 6

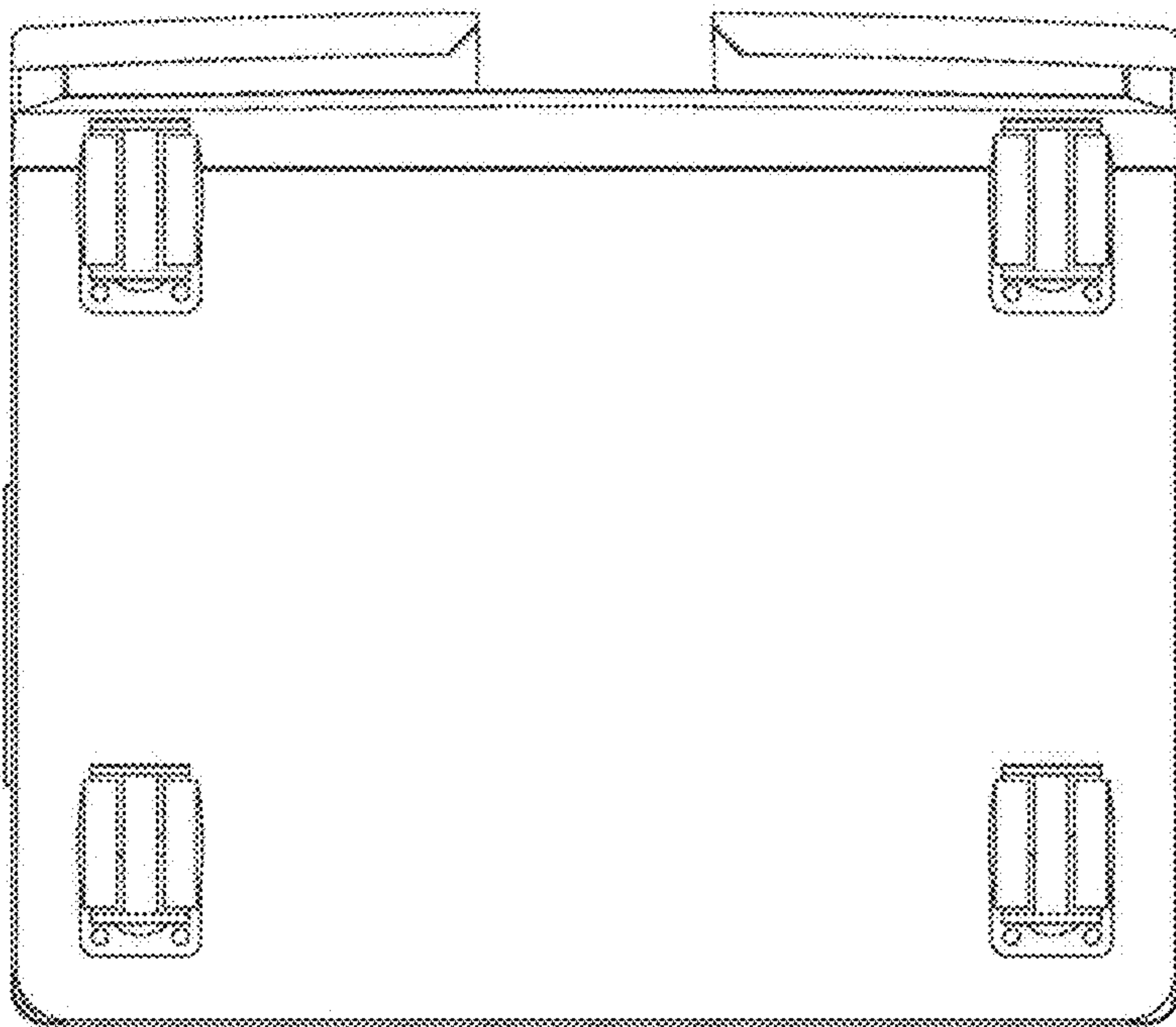


FIG. 7