

US00D860424S

(12) **United States Design Patent** (10) **Patent No.:** **US D860,424 S**  
**Seo et al.** (45) **Date of Patent:** **\*\* Sep. 17, 2019**

(54) **WATER TANK FOR HUMIDIFIER**  
(71) Applicant: **MIRO CO. LTD.**, Incheon (KR)  
(72) Inventors: **Dong Jin Seo**, Incheon (KR); **Yong Ju Oh**, Incheon (KR); **Min Seok Kim**, Incheon (KR); **Jeong Won Lee**, Incheon (KR)  
(73) Assignee: **MIRO CO. LTD.**, Incheon (KR)  
(\*\*) Term: **15 Years**  
(21) Appl. No.: **29/629,099**  
(22) Filed: **Dec. 11, 2017**

(30) **Foreign Application Priority Data**  
Sep. 4, 2017 (KR) ..... 30-2017-0041187  
(51) **LOC (12) Cl.** ..... **23-02**  
(52) **U.S. Cl.**  
USPC ..... **D23/358**  
(58) **Field of Classification Search**  
USPC ..... D23/355–366, 352, 369, 332, 333, 335,  
D23/336, 342, 351; 422/120, 122;  
55/356, 473, 504; 96/97; D14/188, 170,  
D14/172; 261/DIG. 17, DIG. 65,  
261/DIG. 88, DIG. 31  
CPC ..... A61L 9/22; B01D 47/00; B01D 47/027;  
B01D 2221/02; B01D 2259/4508; B03C  
3/155; B03C 3/368; F24F 3/16; F24F  
13/20; F24F 13/28; F24F 2001/0096;  
F24F 3/1405; F24F 3/1603; F24F 13/222  
See application file for complete search history.

(56) **References Cited**  
U.S. PATENT DOCUMENTS  
D157,798 S \* 3/1950 Slatkin ..... D22/120  
2,642,310 A \* 6/1953 Meek ..... A61L 9/12  
131/231

D179,194 S \* 11/1956 Flurry ..... D23/362  
D575,912 S \* 8/2008 Mangano ..... D32/1  
D598,527 S \* 8/2009 Fitsch ..... D23/356  
D627,650 S \* 11/2010 Yeung ..... D28/9  
D664,853 S \* 8/2012 Kipry ..... D28/73  
D665,893 S \* 8/2012 Li ..... D23/366  
D692,547 S \* 10/2013 Wirz ..... D23/366  
D692,551 S \* 10/2013 Wirz ..... D23/366  
D698,429 S \* 1/2014 Jorgensen ..... D23/366  
D698,909 S \* 2/2014 Chou ..... D23/366  
D698,910 S \* 2/2014 Lin ..... D23/366  
D706,915 S \* 6/2014 Suzuki ..... D23/366  
D720,063 S \* 12/2014 Li ..... D23/366  
D724,714 S \* 3/2015 Benson ..... D23/332  
D729,370 S \* 5/2015 Chou ..... D23/366

(Continued)

*Primary Examiner* — David G Muller  
*Assistant Examiner* — Nathan M Johnston  
(74) *Attorney, Agent, or Firm* — Novick, Kim & Lee,  
PLLC; Sang Ho Lee; Hyun Woo Shin

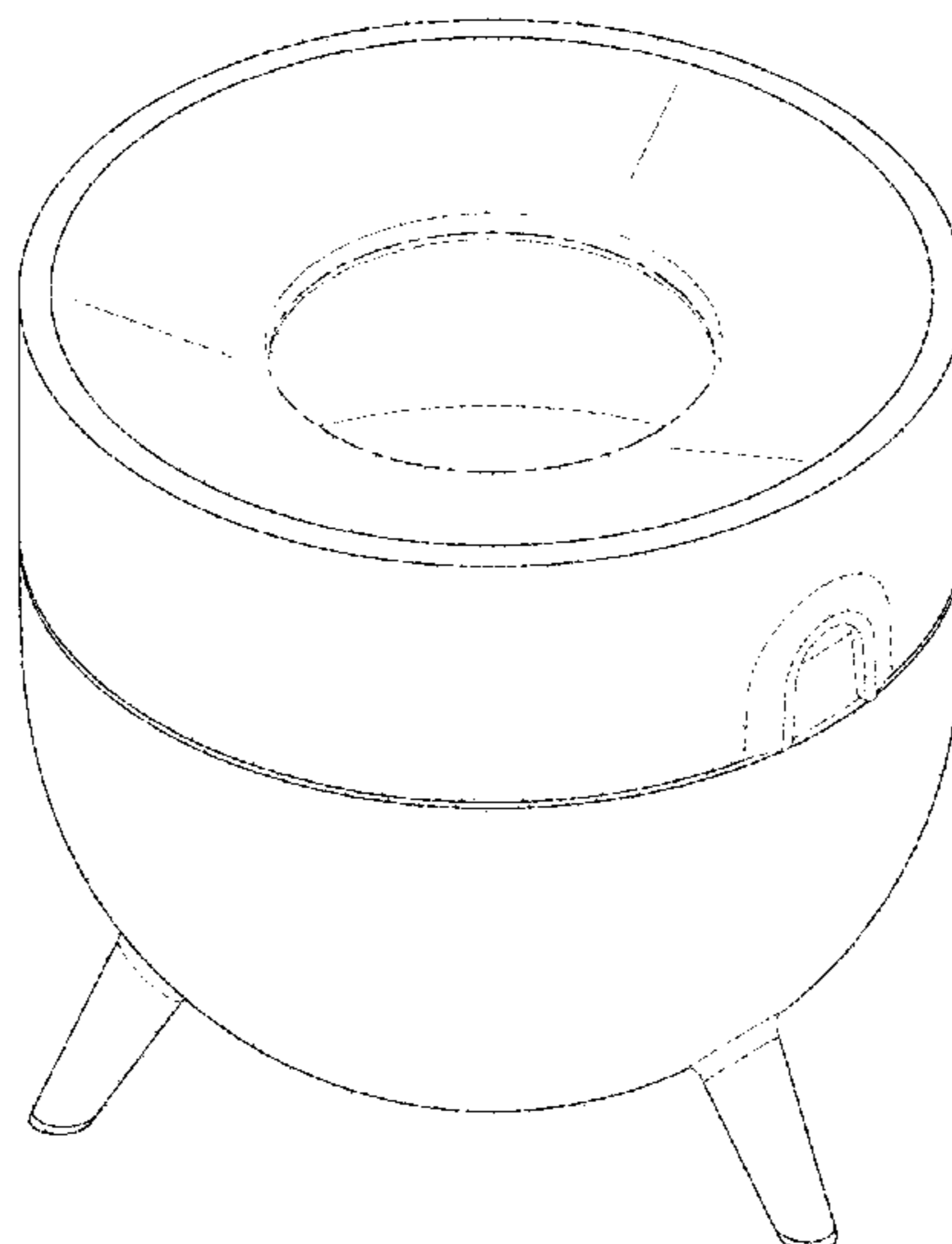
(57) **CLAIM**

We claim the ornamental design for a water tank for humidifier, as shown and described.

**DESCRIPTION**

FIG. 1 is a perspective view of a water tank for humidifier, showing our new design;  
FIG. 2 is a front elevational view thereof;  
FIG. 3 is a rear elevational view thereof;  
FIG. 4 is a left side elevational view thereof;  
FIG. 5 is a right side elevational view thereof;  
FIG. 6 is a top plan view thereof; and,  
FIG. 7 is a bottom plan view thereof.  
The dashed dot lines immediately adjacent to the shaded areas in the figures represent the boundaries of the claimed design. The dashed lines in the figures illustrate the portions of the design that form no part of the claimed design. None of the broken lines form any part of the claimed design.

**1 Claim, 7 Drawing Sheets**



(56)

**References Cited**

U.S. PATENT DOCUMENTS

D729,923	S	*	5/2015	Chou	.....	D23/366
D729,924	S	*	5/2015	Hsiao	.....	D23/366
D732,653	S	*	6/2015	Hsiao	.....	D23/366
D732,654	S	*	6/2015	Hsiao	.....	D23/366
D733,859	S	*	7/2015	Hsiao	.....	D23/366
D753,279	S	*	4/2016	Li	.....	D23/366
D772,391	S	*	11/2016	Zimmerli	.....	D23/366
D800,285	S	*	10/2017	Seo	.....	D23/358
D813,366	S	*	3/2018	Tang	.....	D23/366

\* cited by examiner

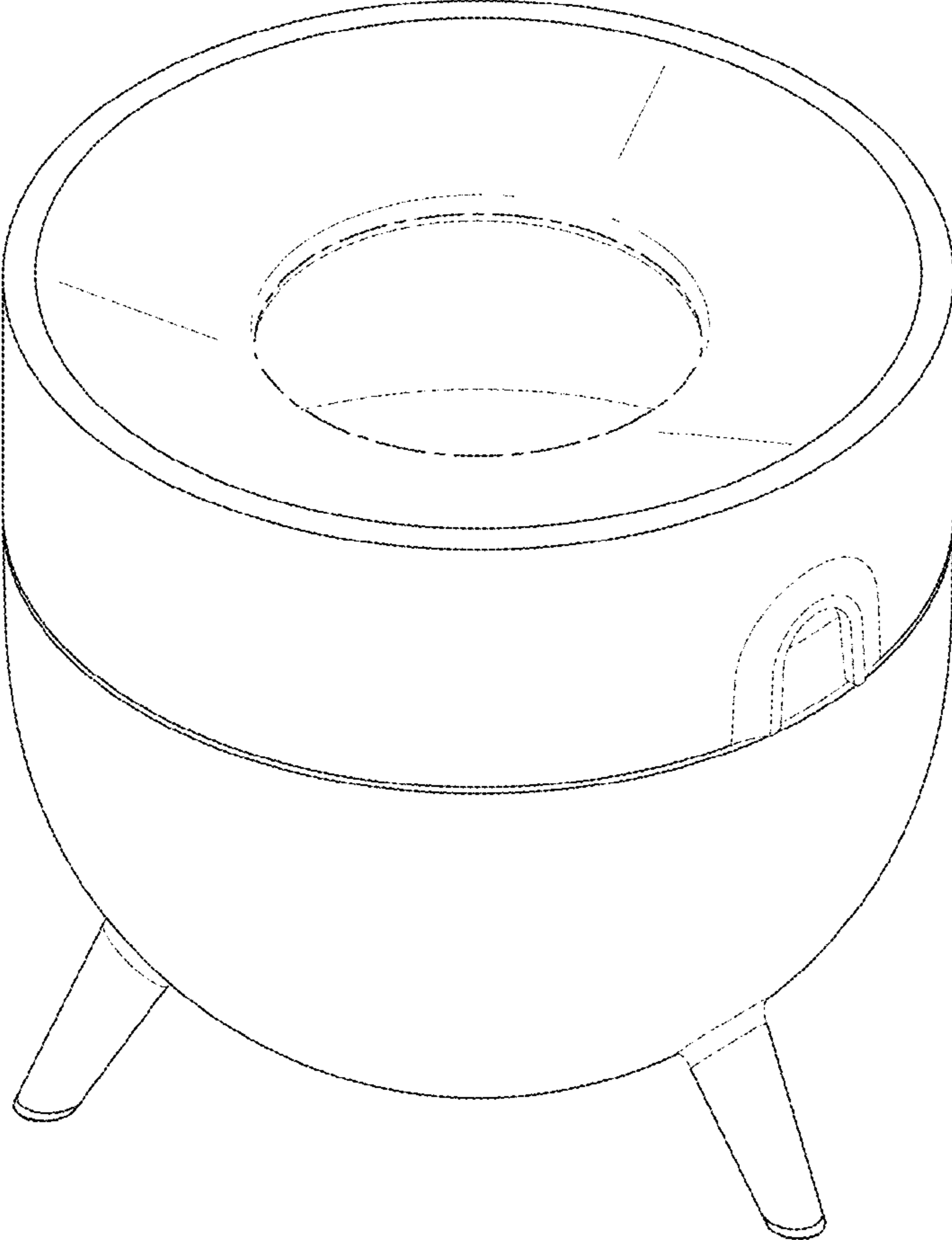


FIG. 1

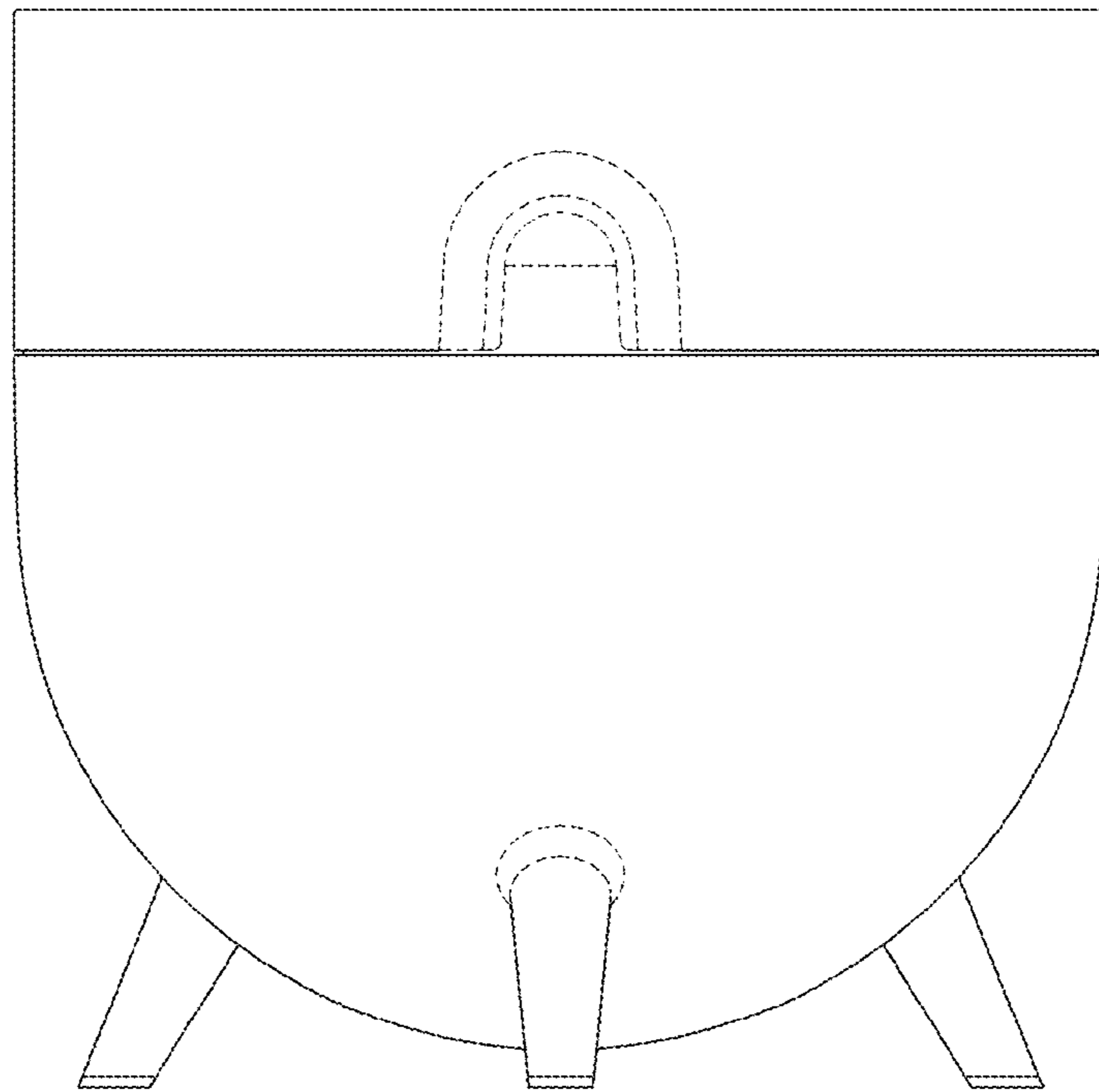


FIG. 2

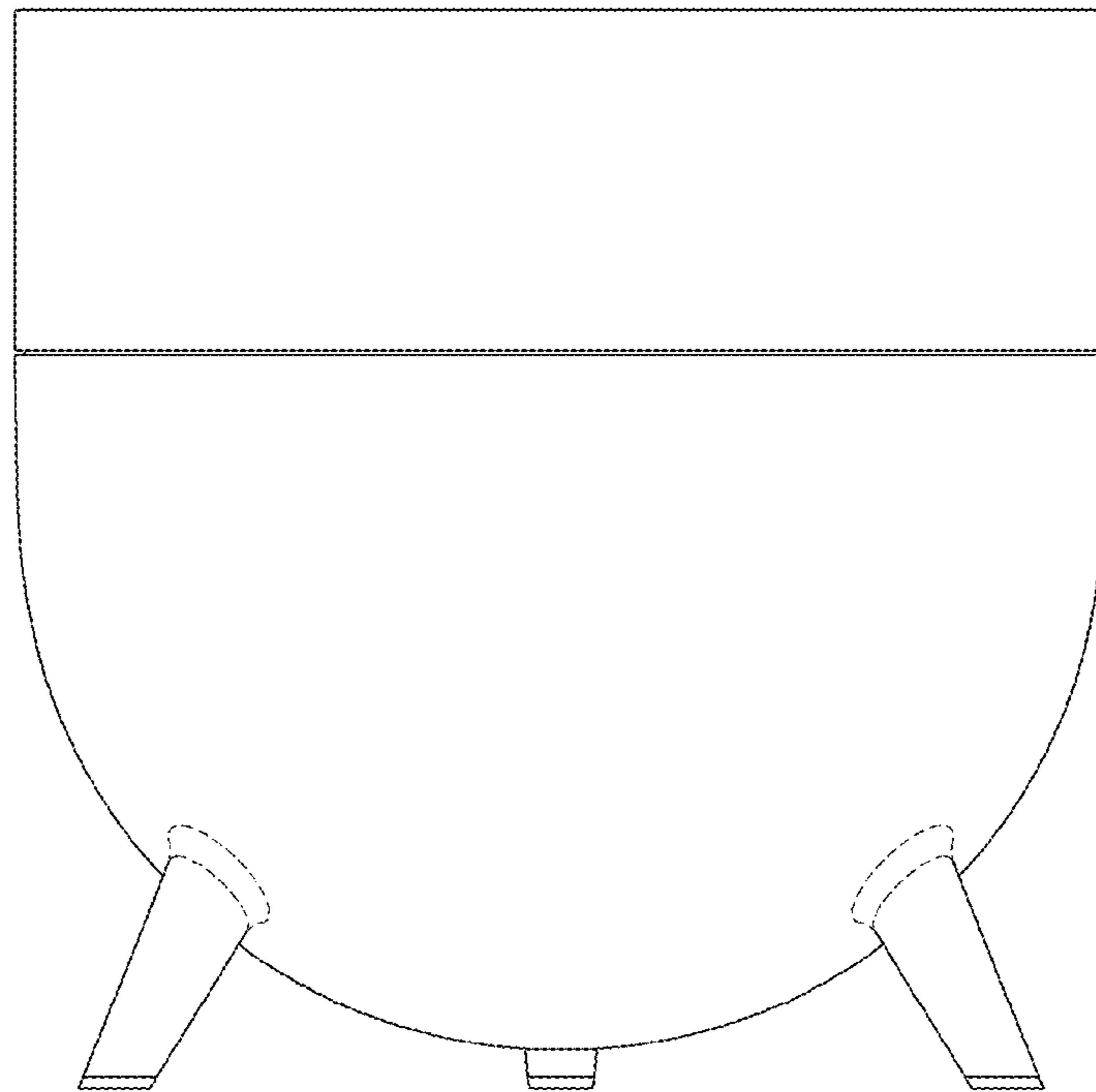


FIG. 3

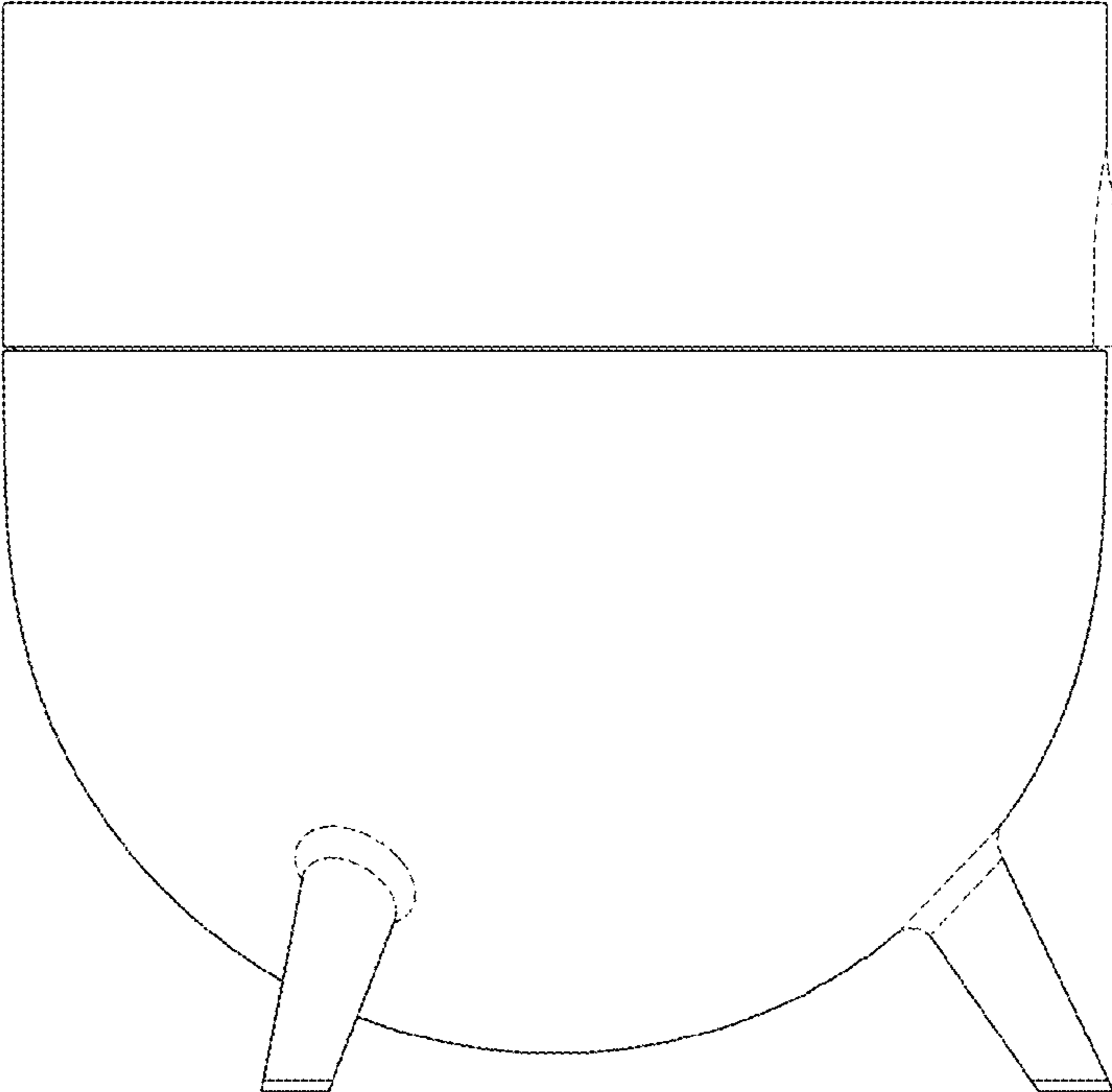


FIG. 4

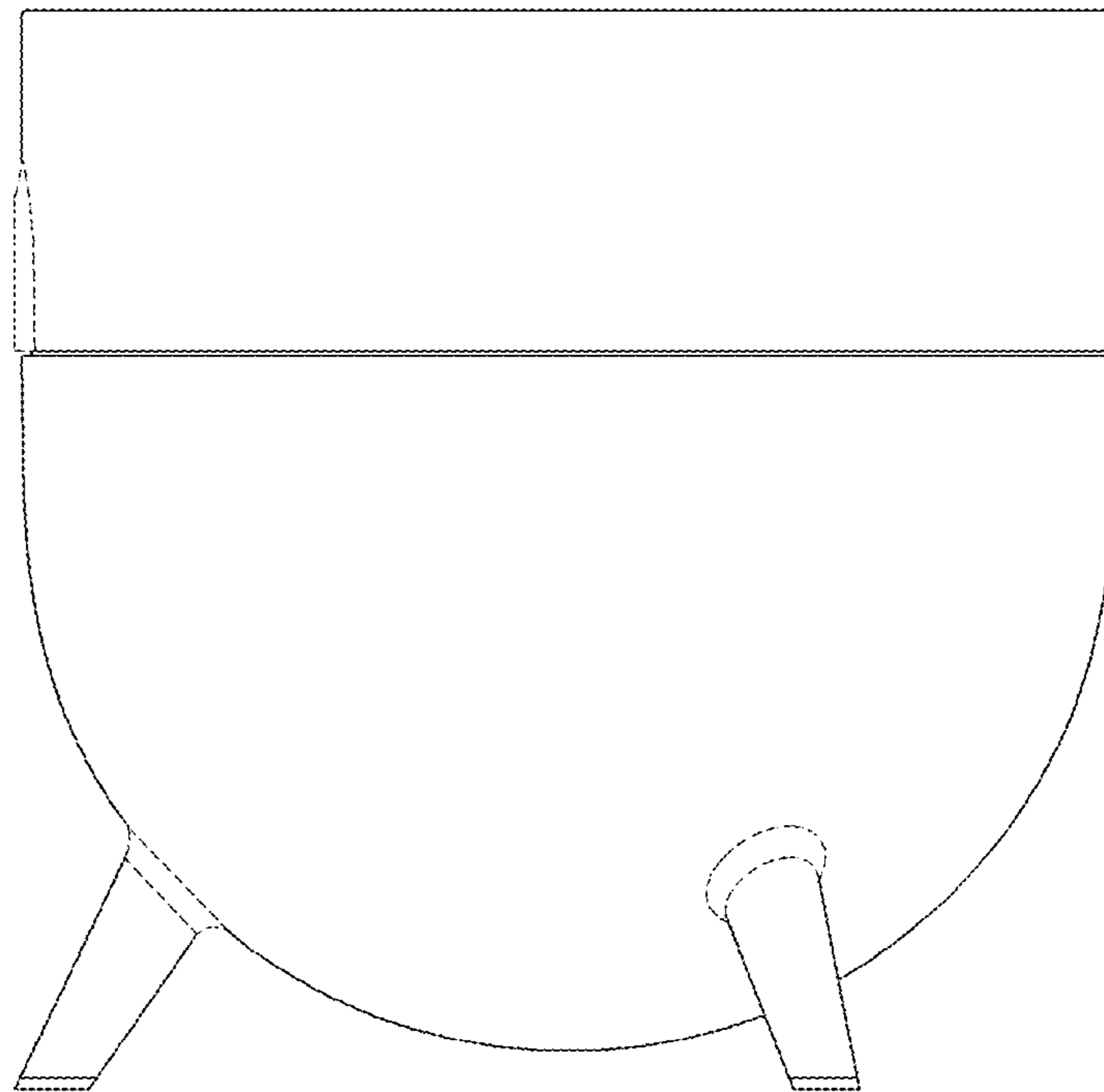
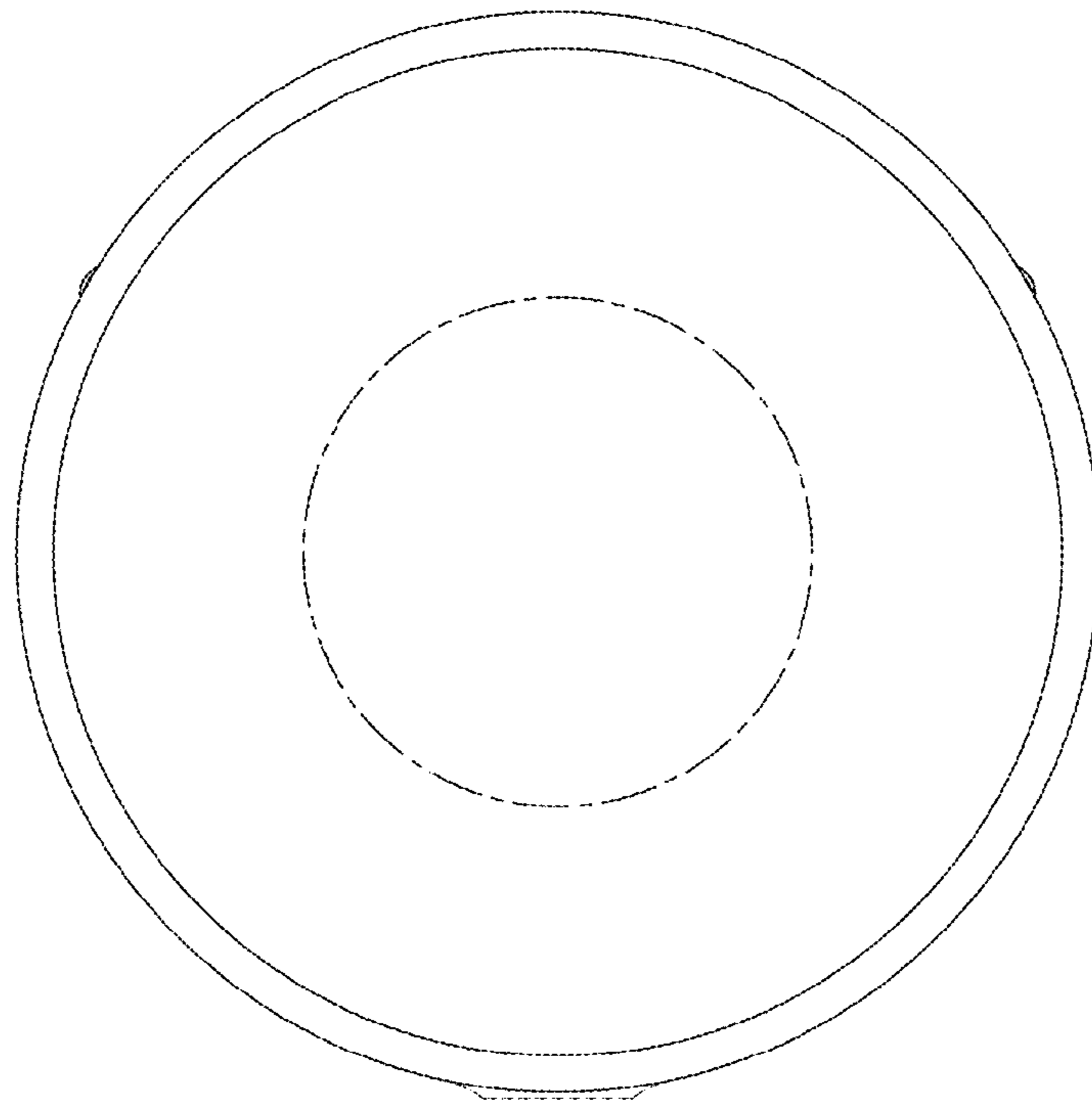


FIG. 5



**FIG. 6**



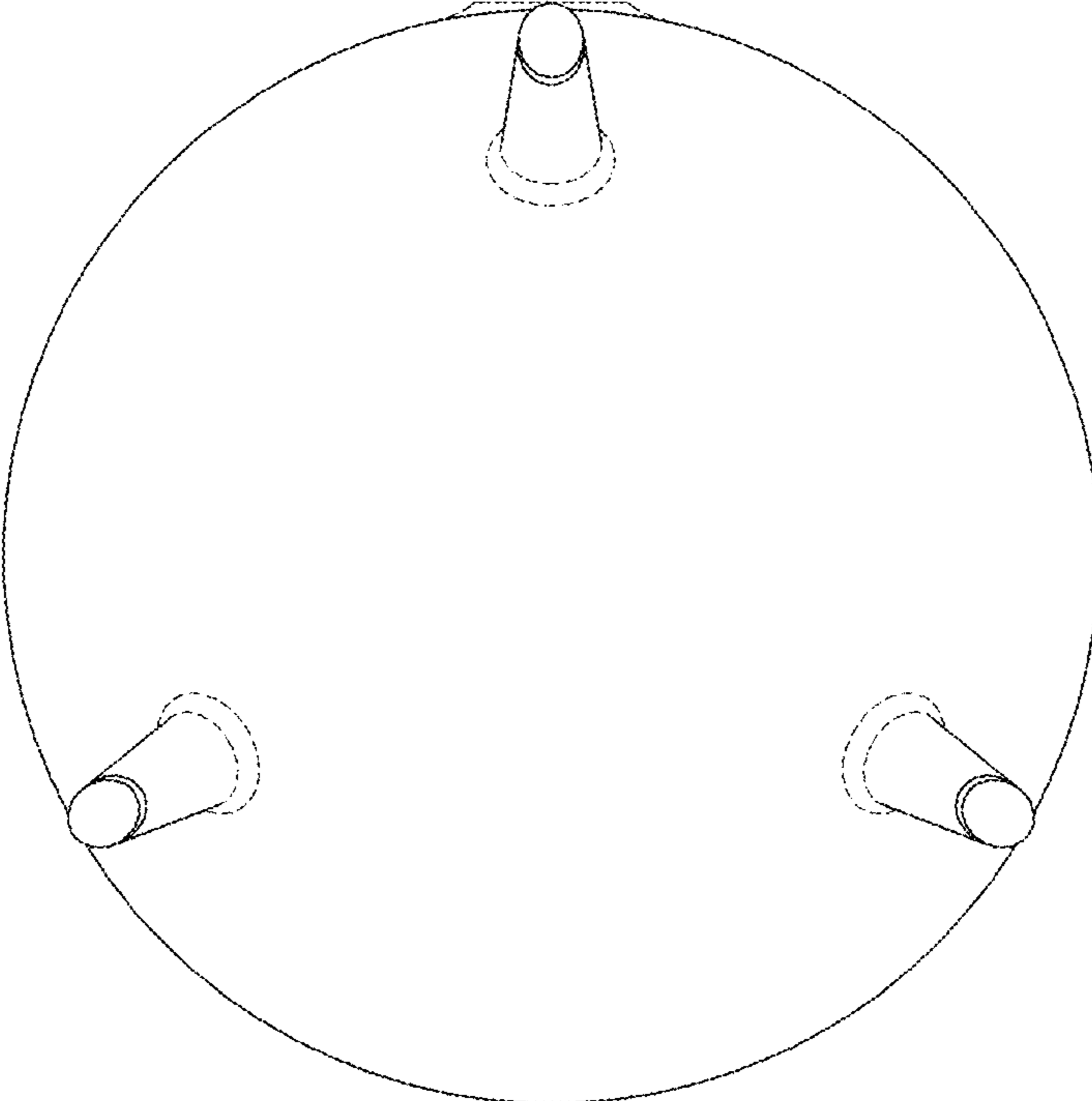


FIG. 7