

US00D860420S

(12) **United States Design Patent** (10) **Patent No.:** **US D860,420 S**
Kosugi et al. (45) **Date of Patent:** **** Sep. 17, 2019**

(54) **ELECTRIC FURNACE FOR SUBSTRATE PROCESSING APPARATUS**

(71) Applicant: **KOKUSAI ELECTRIC CORPORATION**, Tokyo (JP)

(72) Inventors: **Tetsuya Kosugi**, Toyama (JP); **Hitoshi Murata**, Toyama (JP); **Masaaki Ueno**, Toyama (JP)

(73) Assignee: **KOKUSAI ELECTRIC CORPORATION**, Tokyo (JP)

(**) Term: **15 Years**

(21) Appl. No.: **29/656,369**

(22) Filed: **Jul. 12, 2018**

(30) **Foreign Application Priority Data**

Feb. 27, 2018 (JP) 2018-004004

(51) **LOC (12) Cl.** **23-03**

(52) **U.S. Cl.**
USPC **D23/329**

(58) **Field of Classification Search**
USPC D23/314, 318, 319, 323, 329, 341;
D13/112, 179; D15/144, 144.1, 144.2
CPC H01L 21/67109; H01L 21/67098; H01L
21/324
See application file for complete search history.

(56) **References Cited**

U.S. PATENT DOCUMENTS

D383,525 S *	9/1997	Purcell	D23/315
D754,066 S *	4/2016	Yamada	D13/112
D766,828 S *	9/2016	Yamada	D13/112
D768,079 S *	10/2016	Yamada	D13/112
D790,048 S *	6/2017	Emami	D23/329
D823,363 S *	7/2018	Takewaki	D15/144.1
D824,440 S *	7/2018	Takewaki	D15/144.1

2011/0249960 A1*	10/2011	Poole	F27B 5/04 392/408
2012/0260857 A1*	10/2012	Takahashi	H01L 21/67017 118/725
2013/0062333 A1*	3/2013	Emami	H01L 21/67109 219/438
2013/0094840 A1*	4/2013	Seitz	F24H 1/202 392/449
2013/0192522 A1*	8/2013	Erickson	H01L 31/18 118/666

(Continued)

FOREIGN PATENT DOCUMENTS

JP 1582475 S 7/2017

Primary Examiner — T Chase Nelson

Assistant Examiner — Ania Aman

(74) *Attorney, Agent, or Firm* — Fitch, Even, Tabin & Flannery, LLP

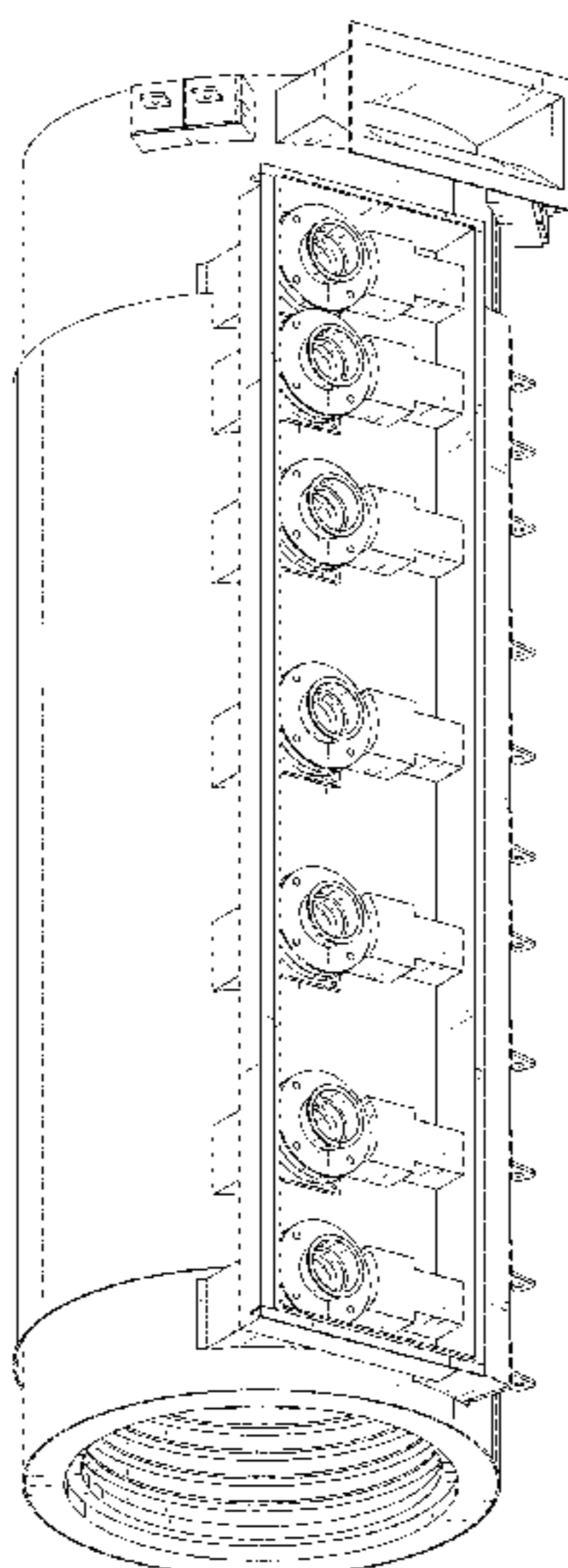
(57) **CLAIM**

The ornamental design for an electric furnace for substrate processing apparatus, as shown and described.

DESCRIPTION

FIG. 1 is a front, bottom and left side perspective view of an electric furnace for substrate processing apparatus showing our new design;
 FIG. 2 is a front elevational view thereof;
 FIG. 3 is a right side elevational view thereof;
 FIG. 4 is a left side elevational view thereof;
 FIG. 5 is a rear elevational view thereof;
 FIG. 6 is a top plan view thereof;
 FIG. 7 is a bottom plan view thereof.
 FIG. 8 is a cross-sectional view take along line 8-8 in FIG. 2 thereof; and,
 FIG. 9 is an enlarged portion view taken along line 9-9 in FIG. 2.
 In FIG. 8, the broken lines depict unclaimed subject matter only and form no part of the claimed design.

1 Claim, 8 Drawing Sheets



(56)

References Cited

U.S. PATENT DOCUMENTS

2014/0178057 A1* 6/2014 Hayden H05B 3/16
392/480
2017/0074545 A1* 3/2017 Klein F24H 1/102
2017/0356310 A1* 12/2017 Powell F01K 23/065
2018/0038649 A1* 2/2018 Peck F27B 9/068
2018/0337027 A1* 11/2018 L'Heureux H01L 21/67109

* cited by examiner

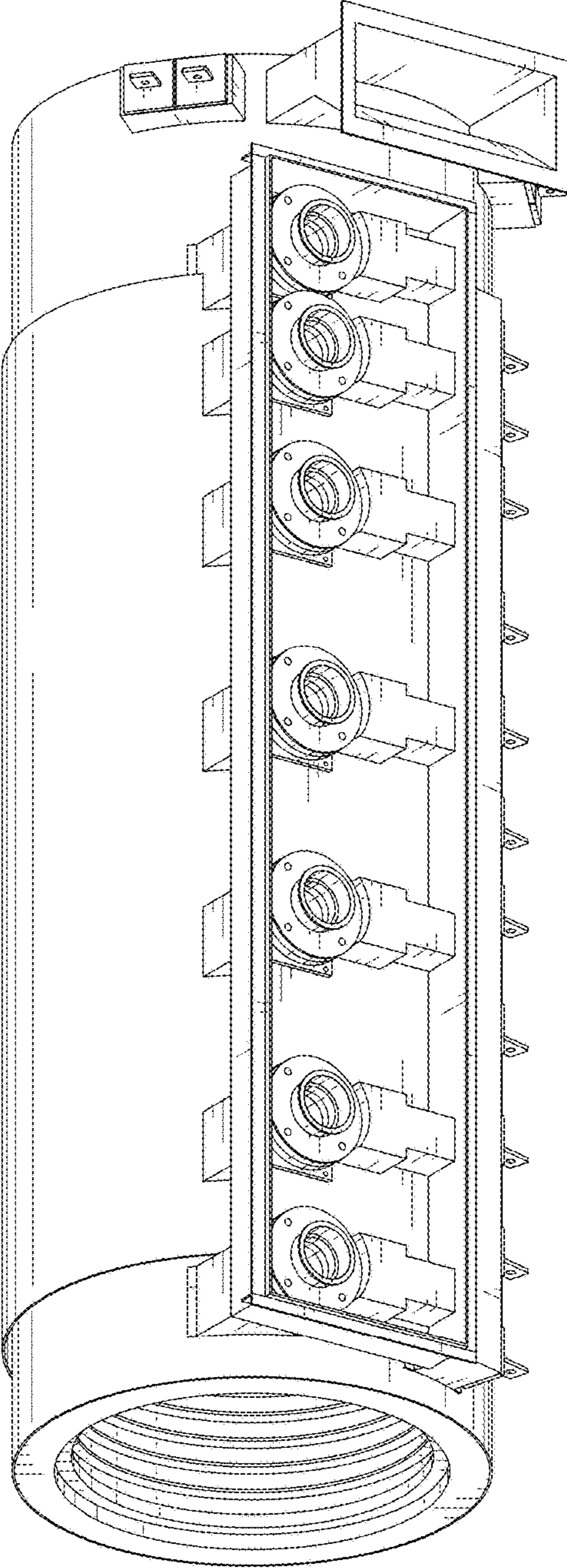


FIG. 1

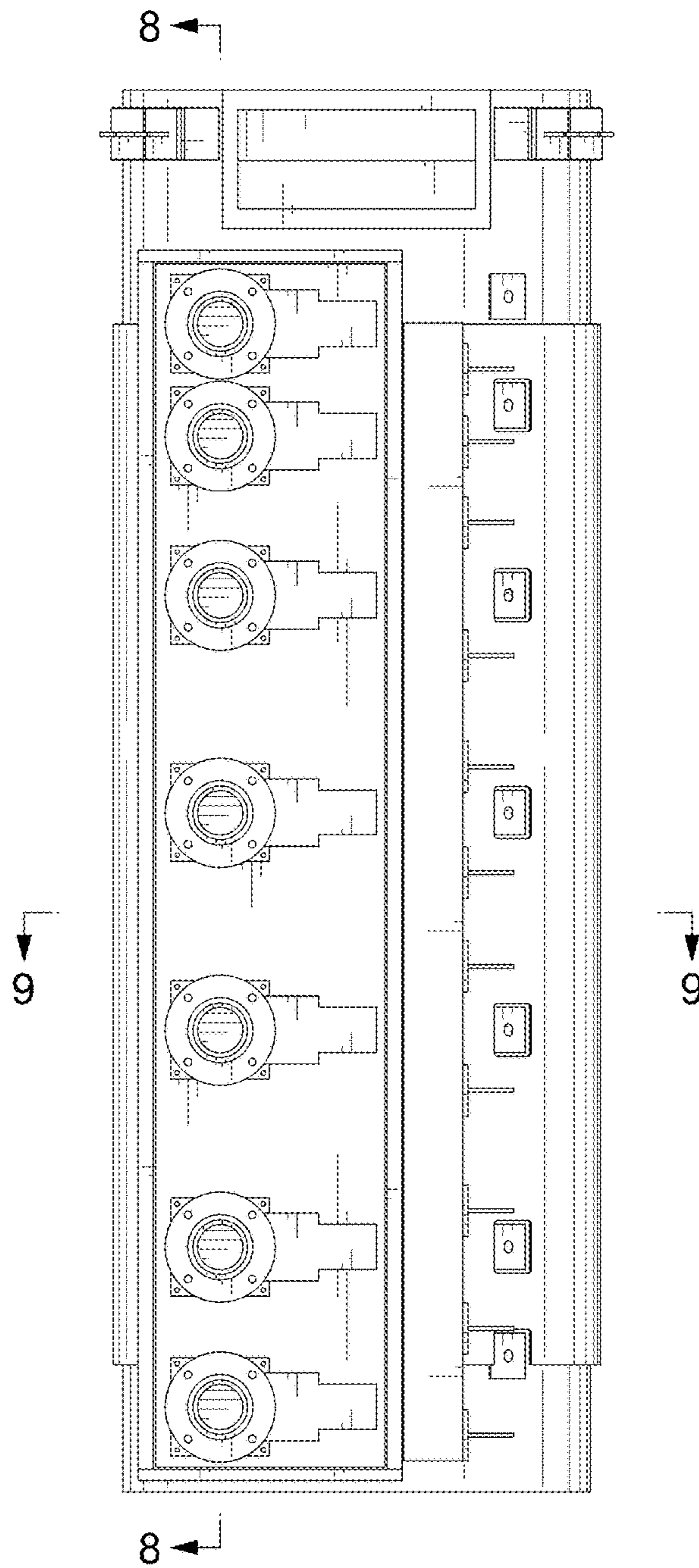


FIG. 2

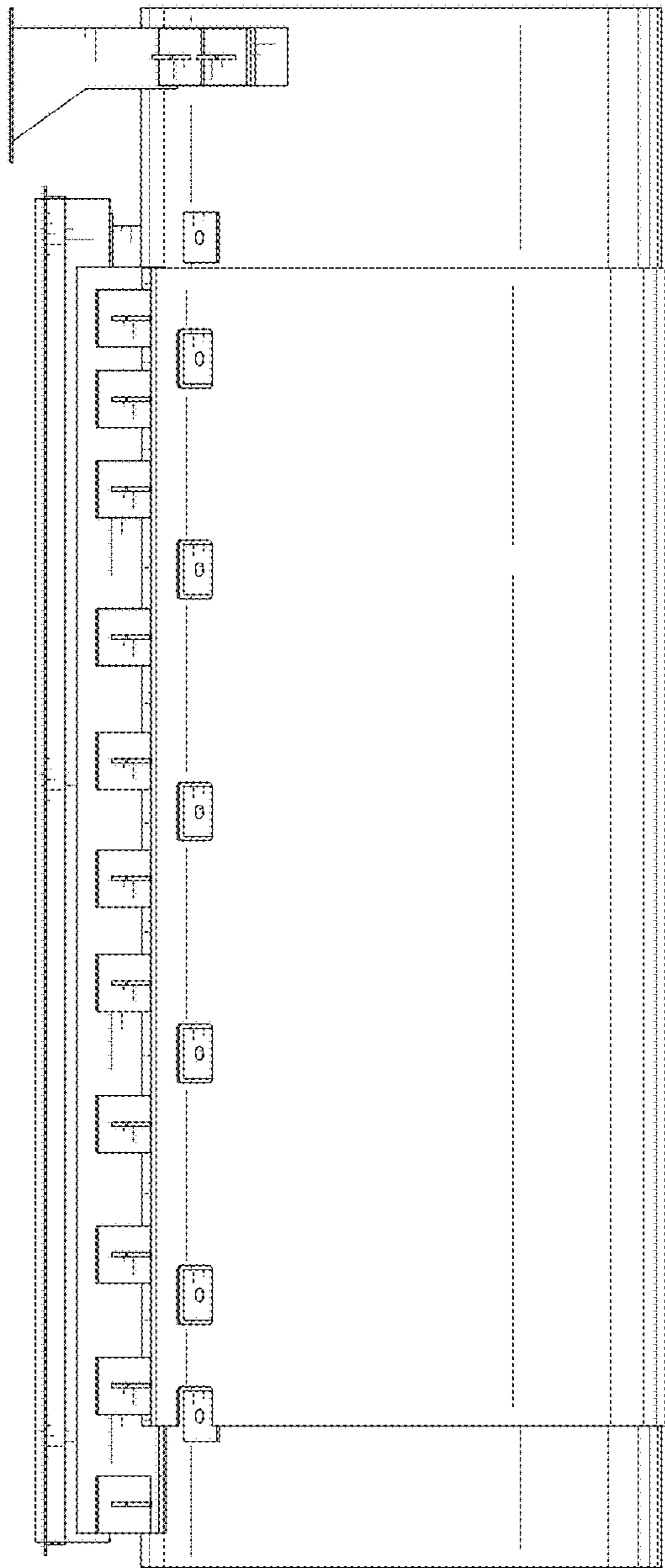


FIG. 3

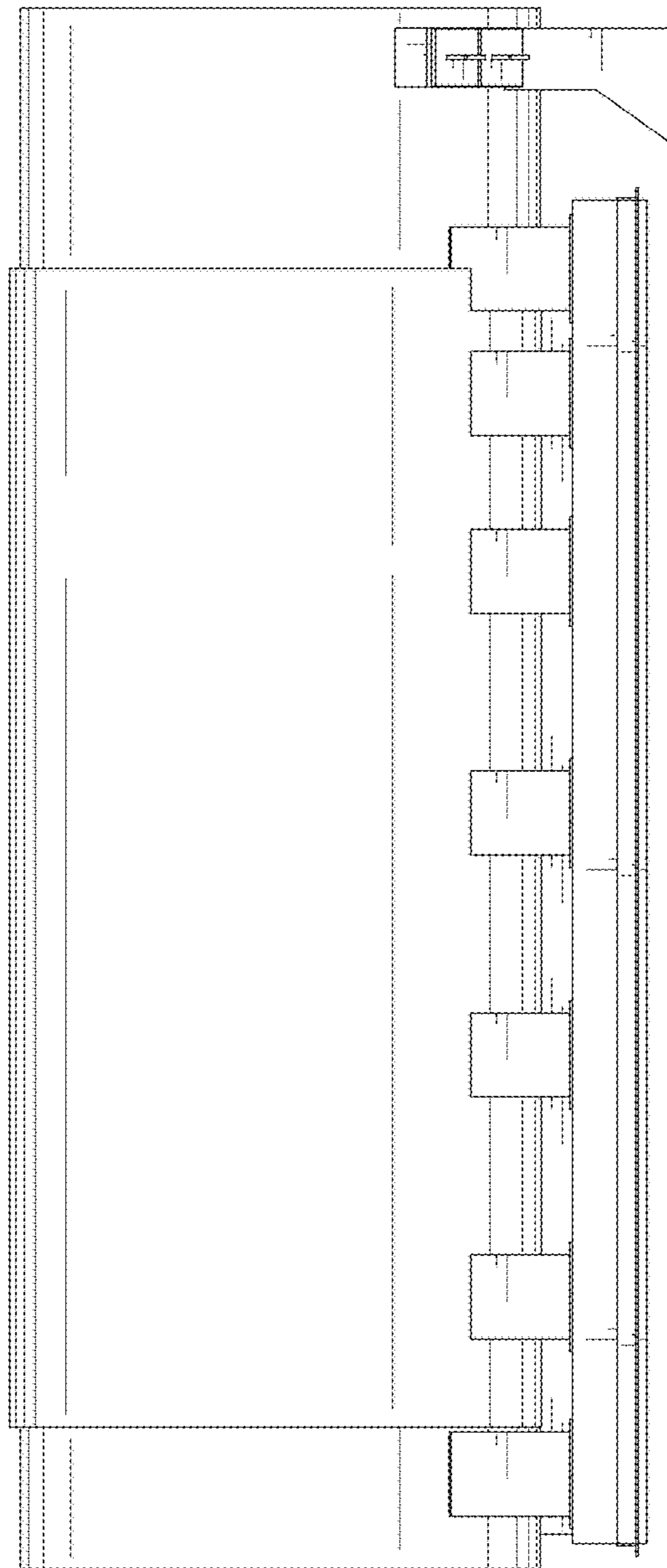


FIG. 4

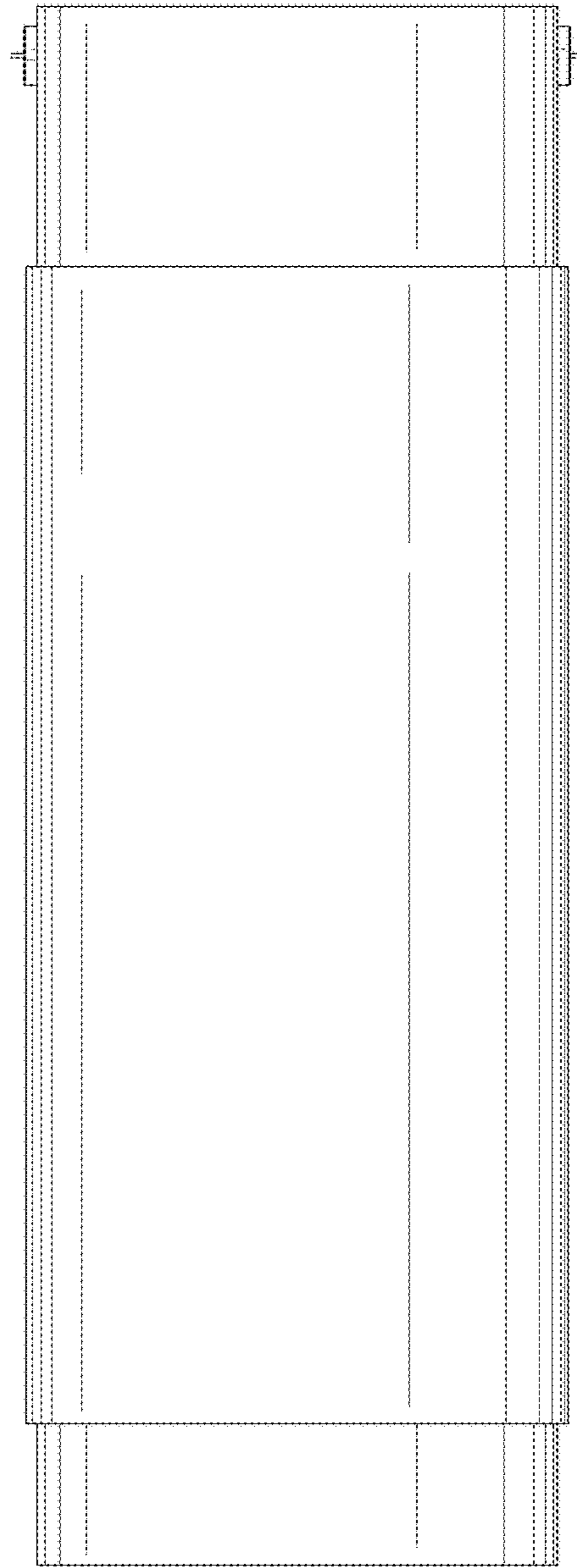


FIG. 5

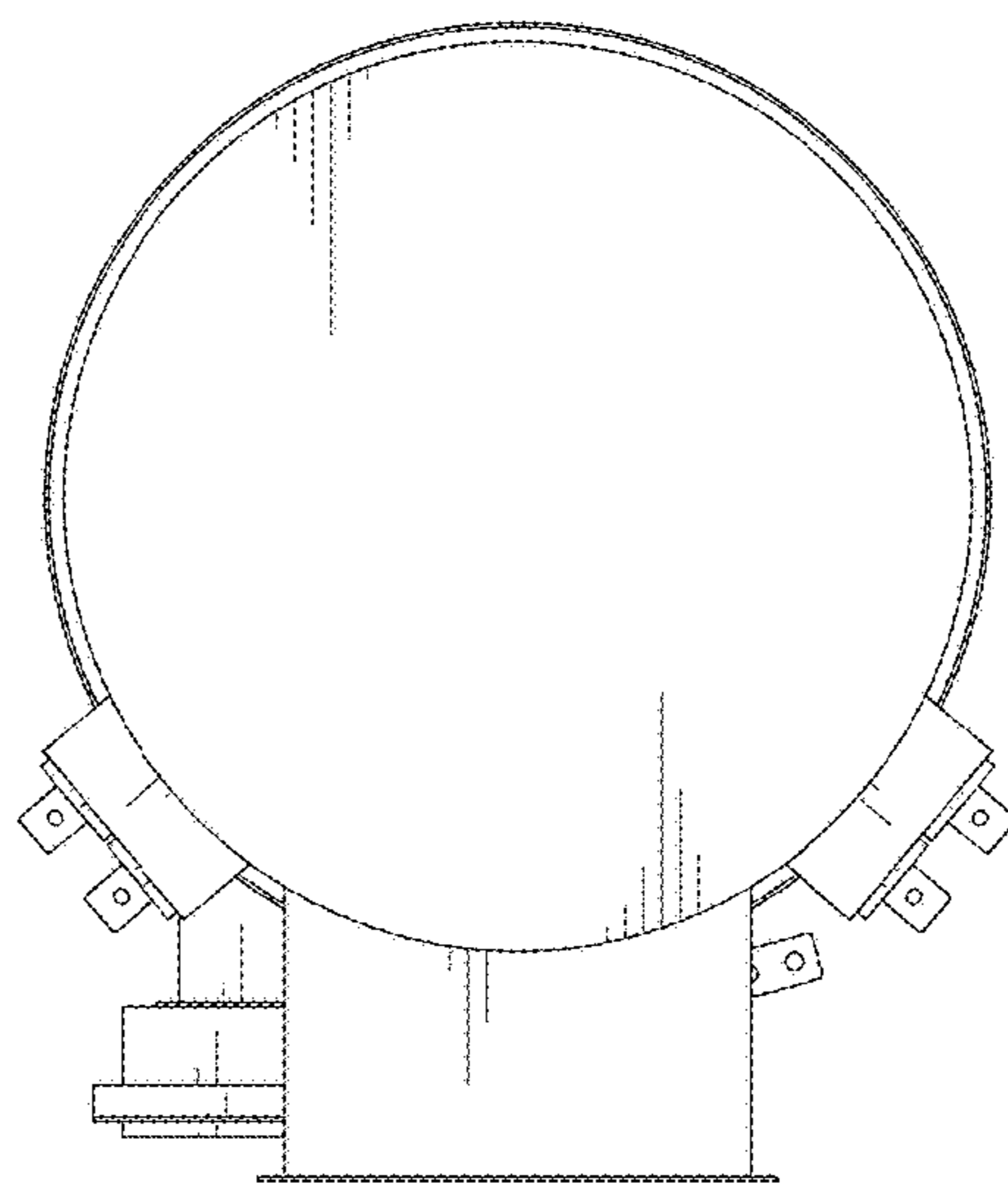


FIG. 6

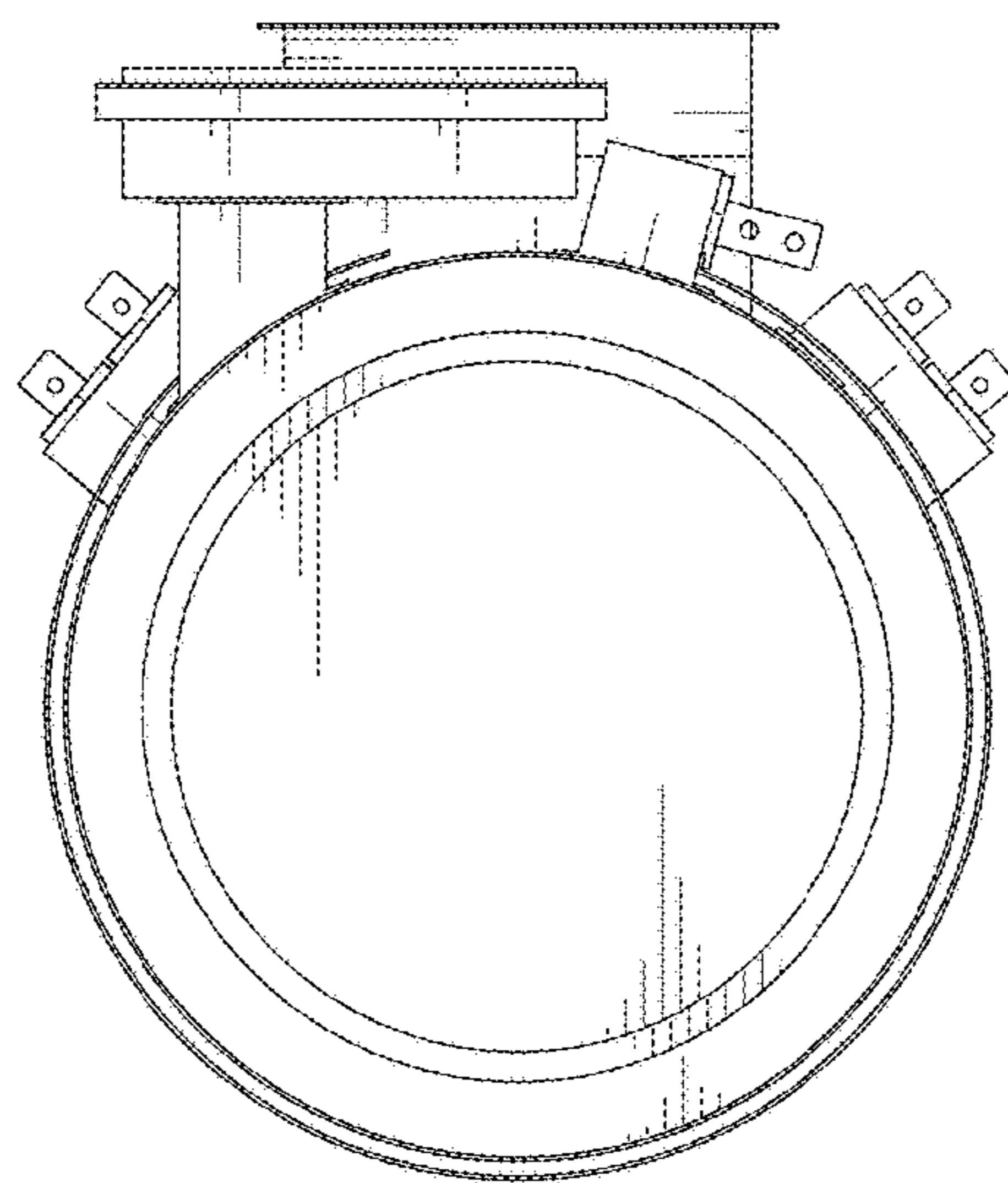


FIG. 7

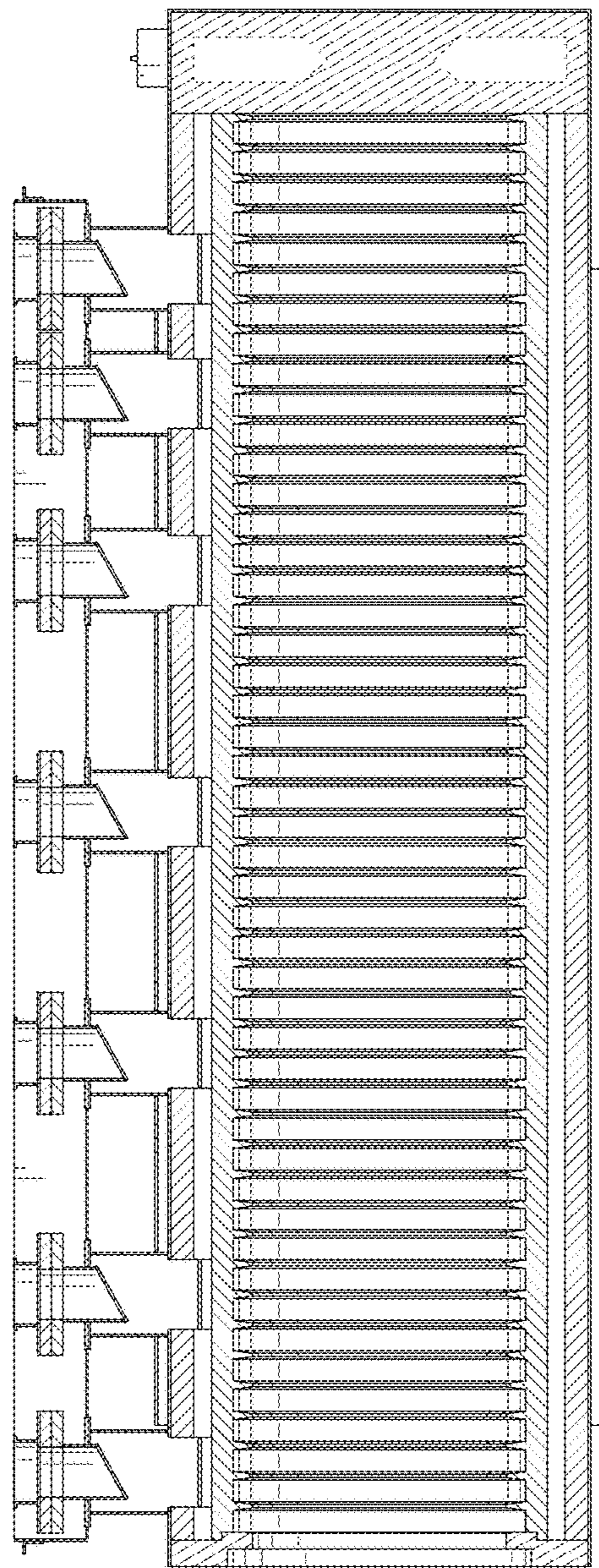


FIG. 8

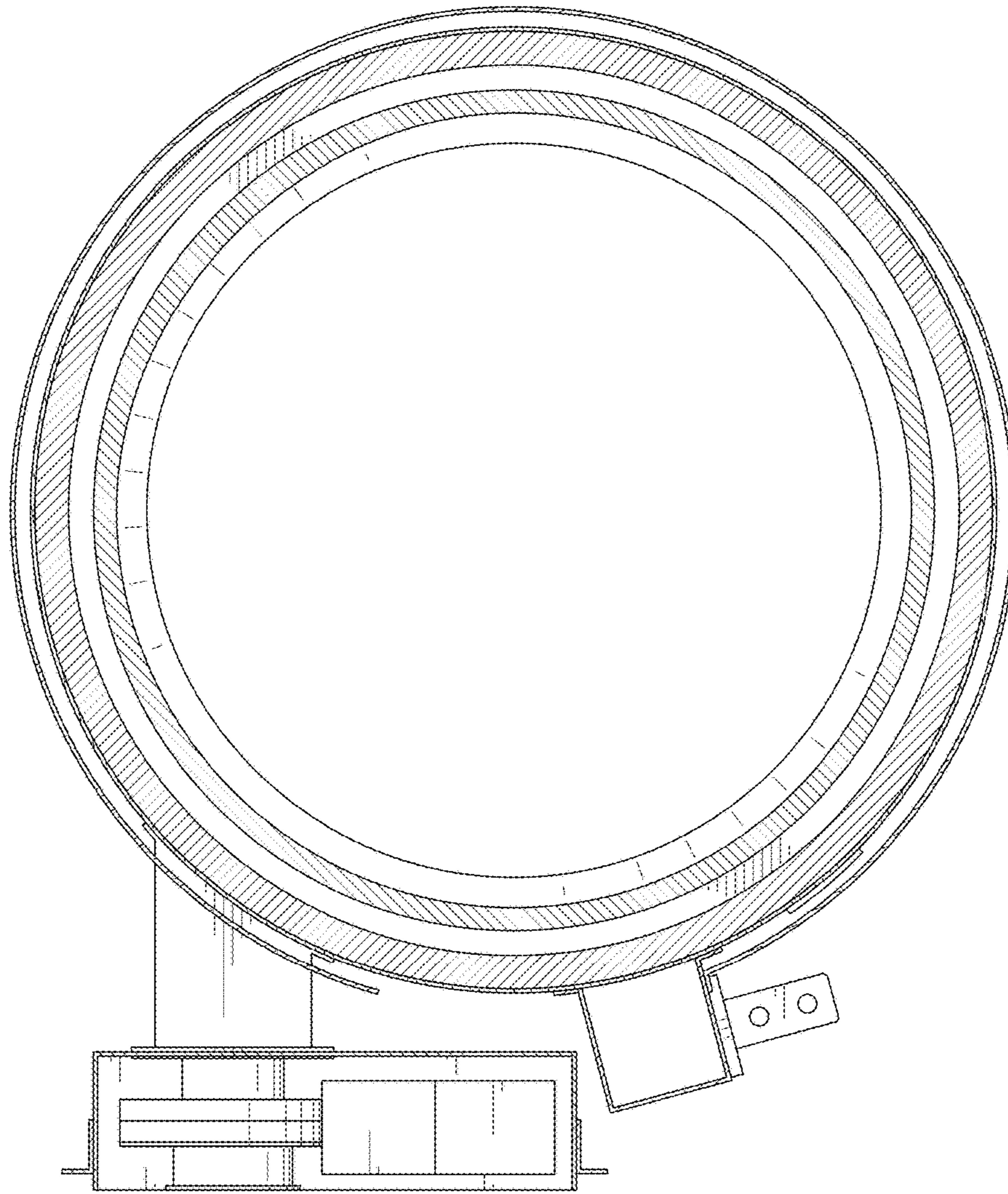


FIG. 9