



US00D860418S

(12) **United States Design Patent**
Zheng

(10) **Patent No.:** **US D860,418 S**

(45) **Date of Patent:** **** Sep. 17, 2019**

(54) **PORTABLE ELECTRONIC WATER HEATER**

(71) Applicant: **BAISHIBAI(XIAMEN)**
ELECTRONIC TECHNOLOGY CO.,
LTD., Fujian (CN)

(72) Inventor: **Zhouyang Zheng**, Fujian (CN)

(73) Assignee: **BAISHIBAI(XIAMEN)**
ELECTRONIC TECHNOLOGY CO.,
LTD., Fujian (CN)

(**) Term: **15 Years**

(21) Appl. No.: **29/642,849**

(22) Filed: **Apr. 3, 2018**

(30) **Foreign Application Priority Data**

Mar. 20, 2018 (CN) 2018 3 0103815

(51) **LOC (12) Cl.** **23-03**

(52) **U.S. Cl.**
USPC **D23/318**

(58) **Field of Classification Search**
USPC D23/314, 316, 318, 319, 322, 323, 329,
D23/330, 332, 341
CPC ... F24H 1/08; F24H 1/10; F24H 1/101; F24H
1/00
See application file for complete search history.

(56) **References Cited**

U.S. PATENT DOCUMENTS

3,291,112 A * 12/1966 Springer F24H 1/186
126/344
8,276,548 B2 * 10/2012 Consadori F24H 1/08
122/18.1

D726,294 S * 4/2015 Bacigalupo D23/318
D788,275 S * 5/2017 Hwang D23/318
2003/0097710 A1 * 5/2003 Adrian F24H 1/06
4/598
2017/0172831 A1 * 6/2017 Sang A61G 9/02

* cited by examiner

Primary Examiner — Michelle E. Wilson

Assistant Examiner — Ania Aman

(74) *Attorney, Agent, or Firm* — JCIPRNET

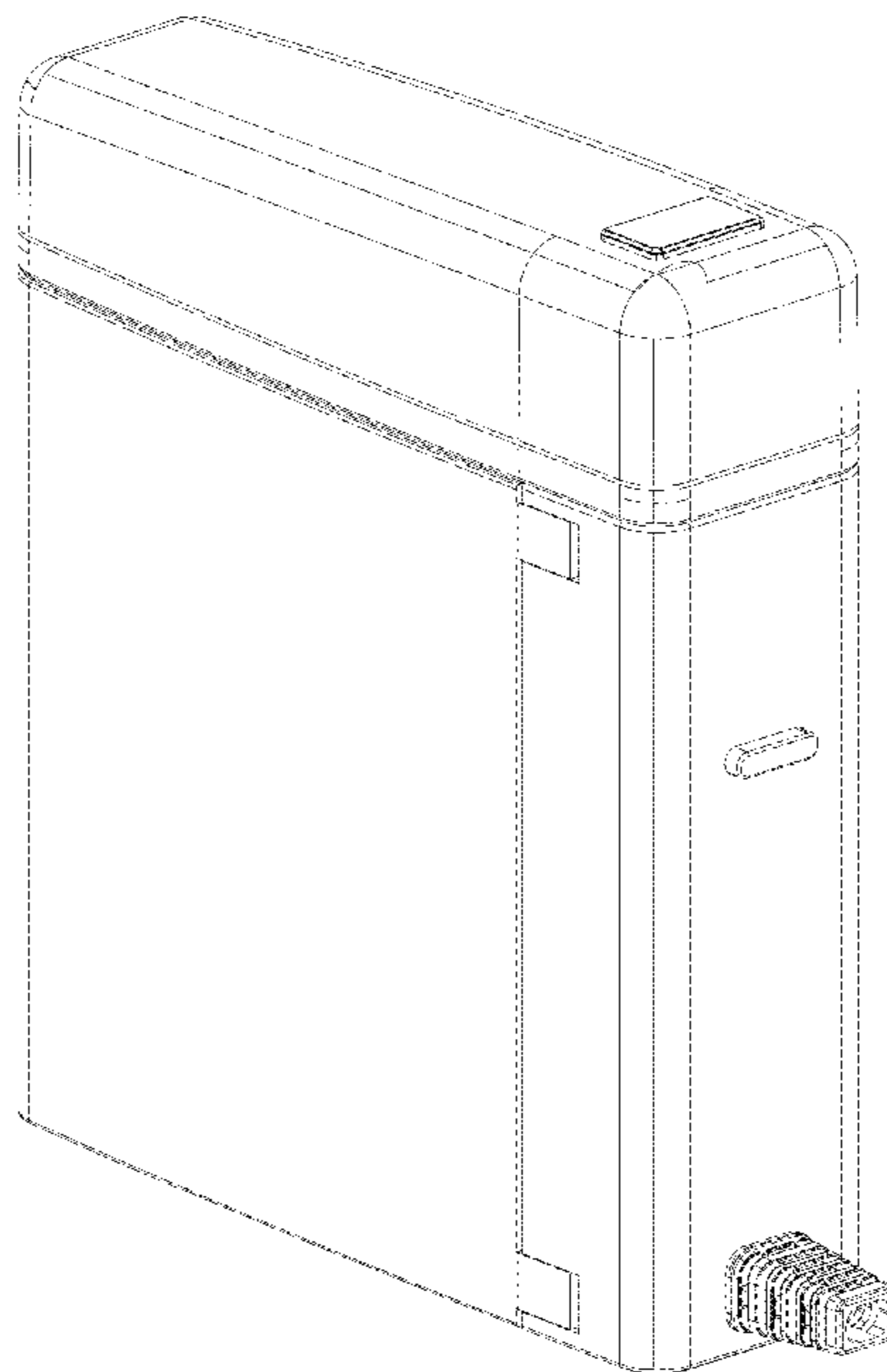
(57) **CLAIM**

The ornamental design for a portable electronic water heater, as shown and described.

DESCRIPTION

FIG. 1 is a perspective view of a portable electronic water heater showing my new design;
FIG. 2 is a front view thereof;
FIG. 3 is a rear view thereof;
FIG. 4 is a left side view thereof;
FIG. 5 is a right side view thereof;
FIG. 6 is a top view thereof;
FIG. 7 is a bottom view thereof;
FIG. 8 is a perspective view thereof with the portable electronic water heater in an open position; and,
FIG. 9 is another perspective view thereof with the portable electronic water heater in an open position.

1 Claim, 7 Drawing Sheets



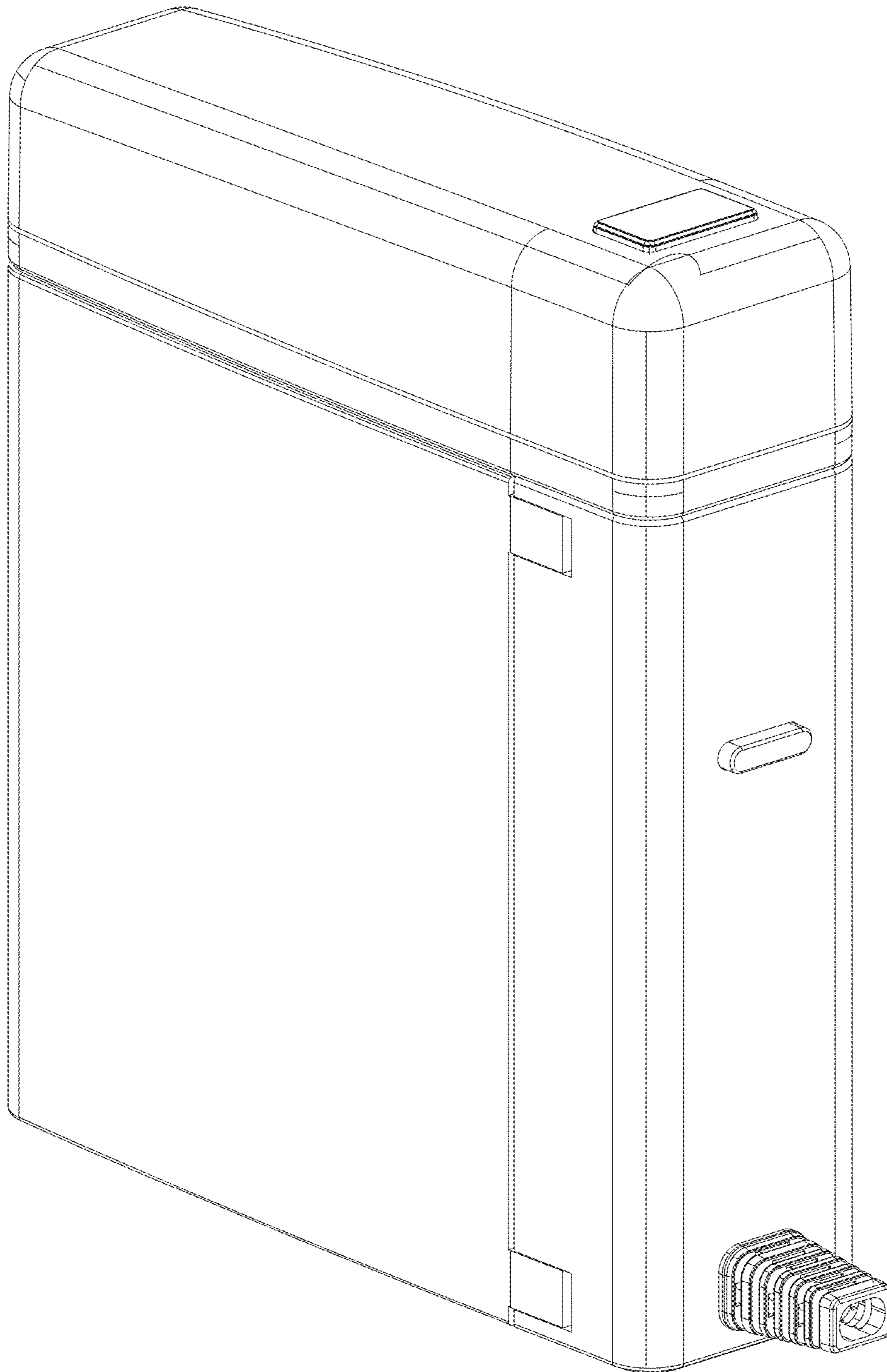


FIG. 1

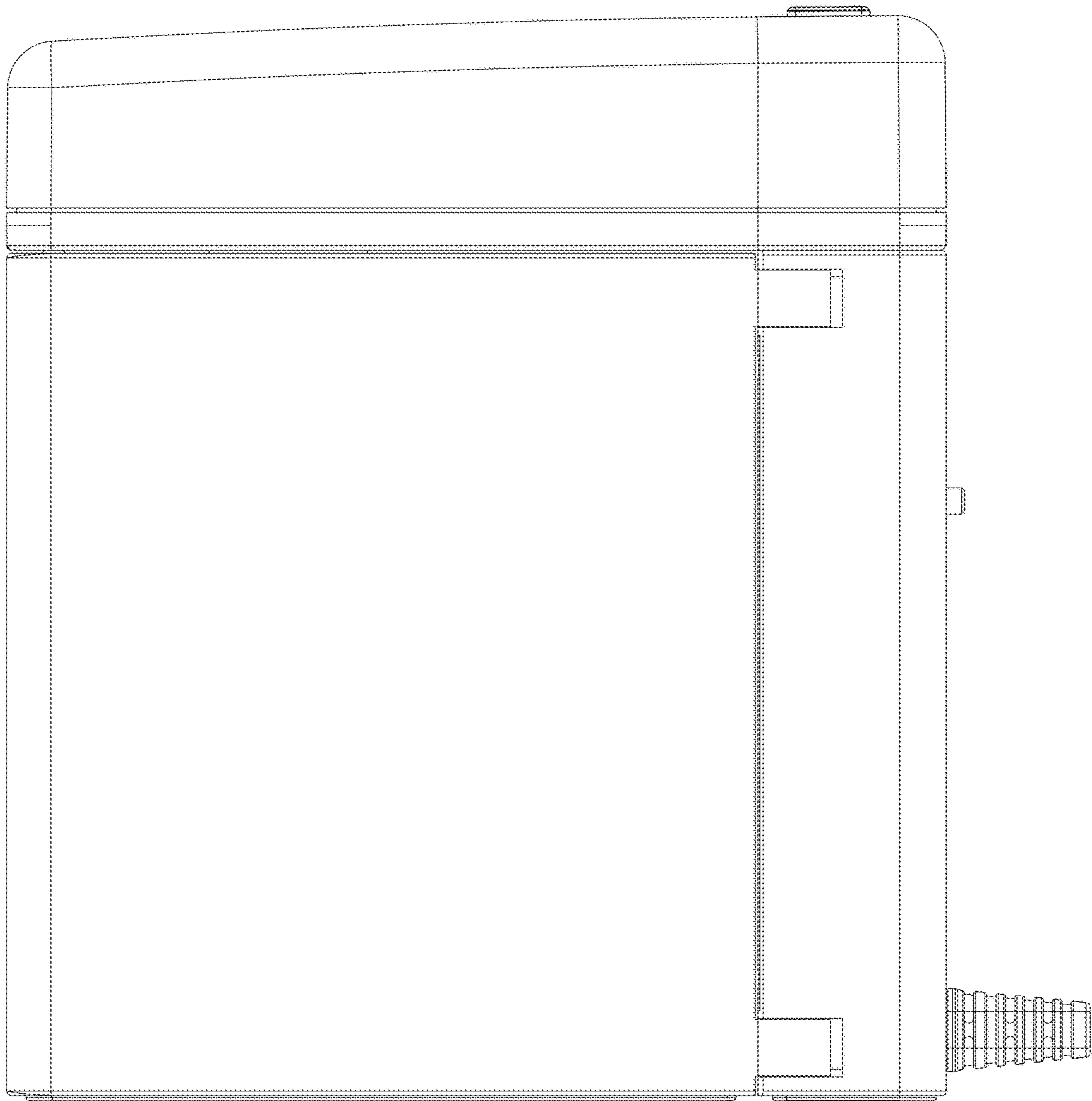


FIG. 2

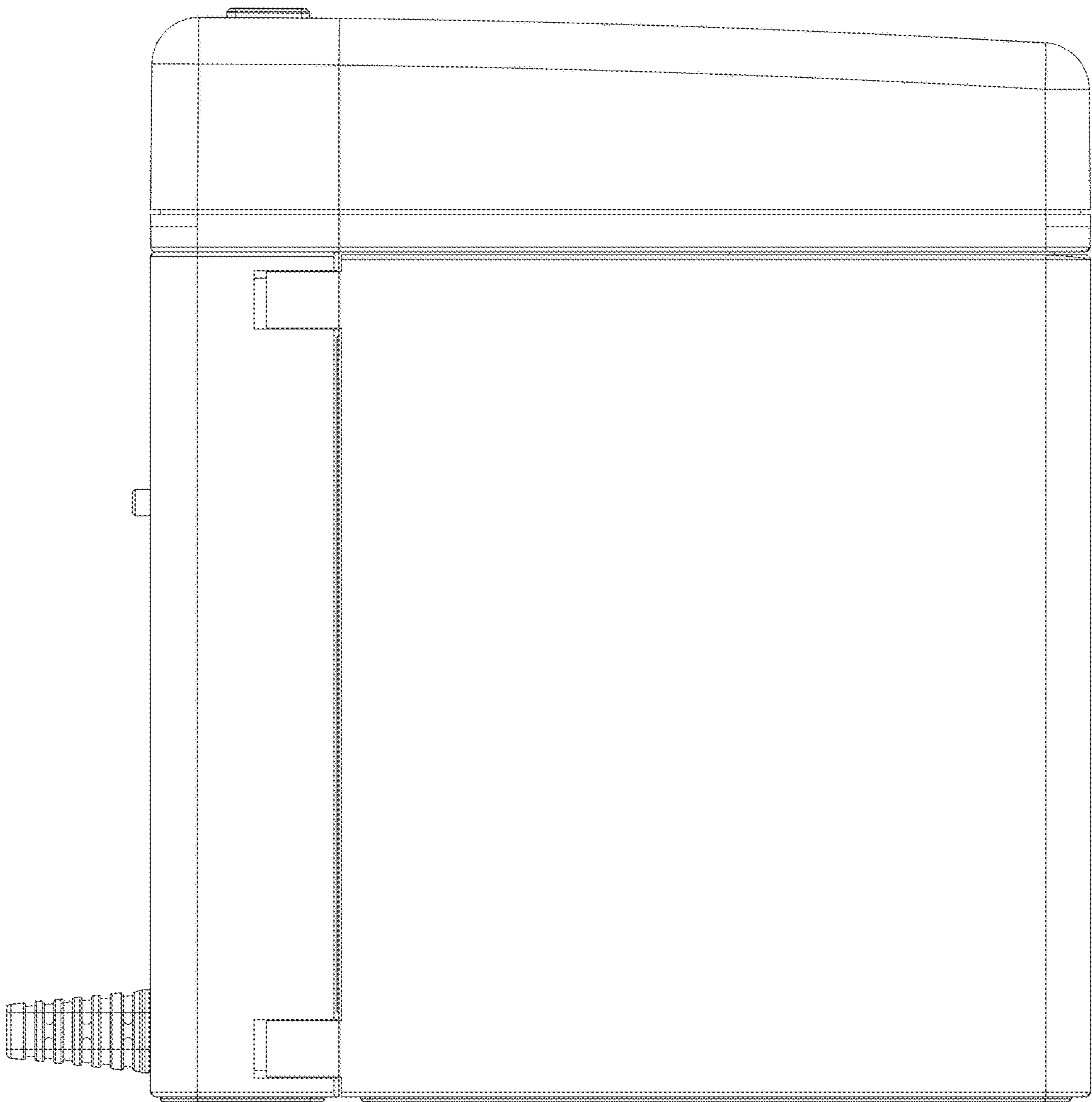


FIG. 3

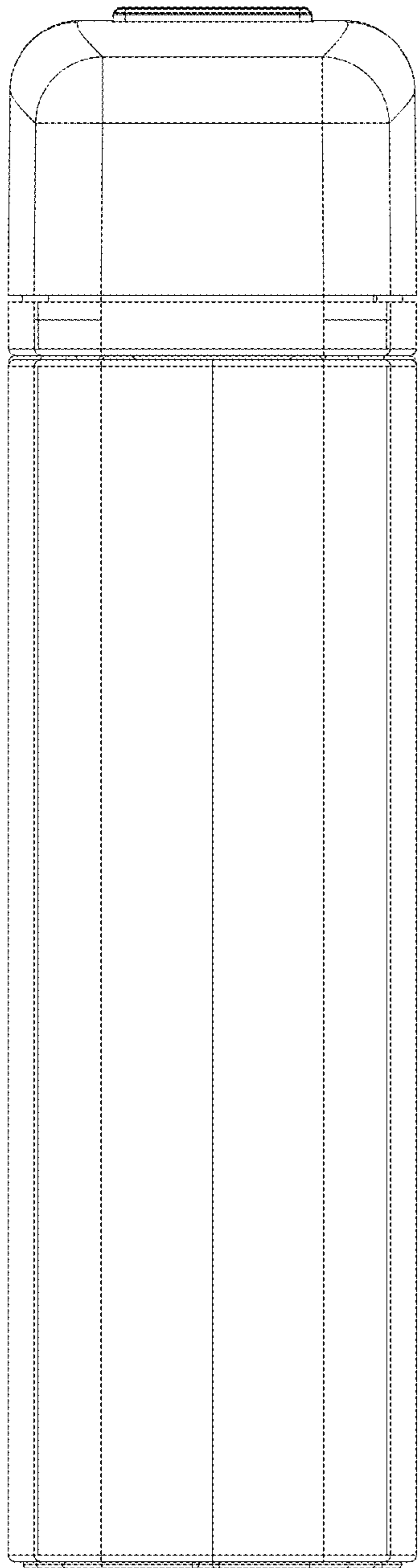


FIG. 4

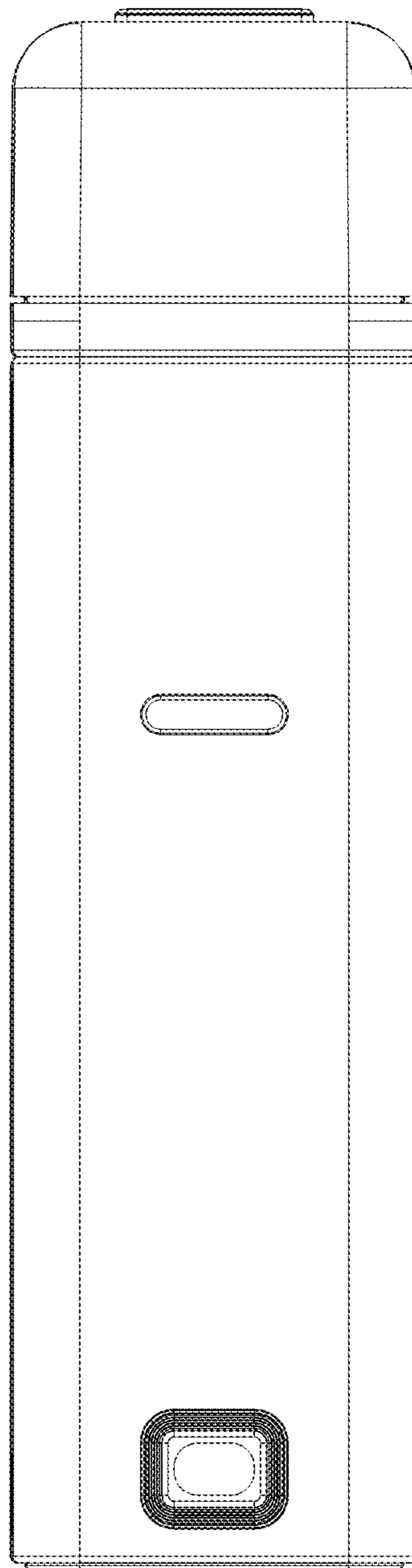


FIG. 5

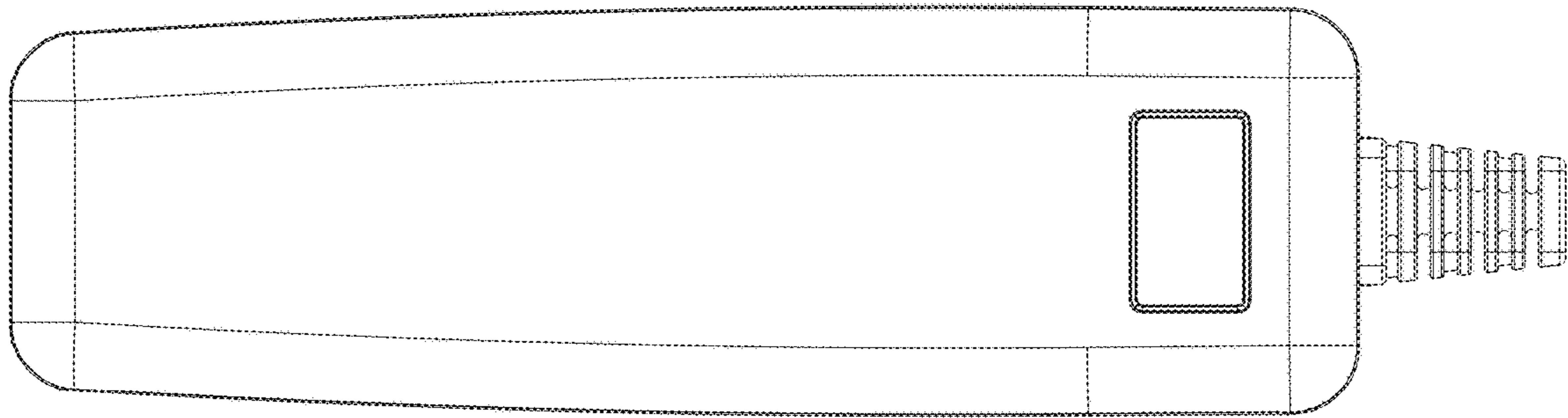


FIG. 6

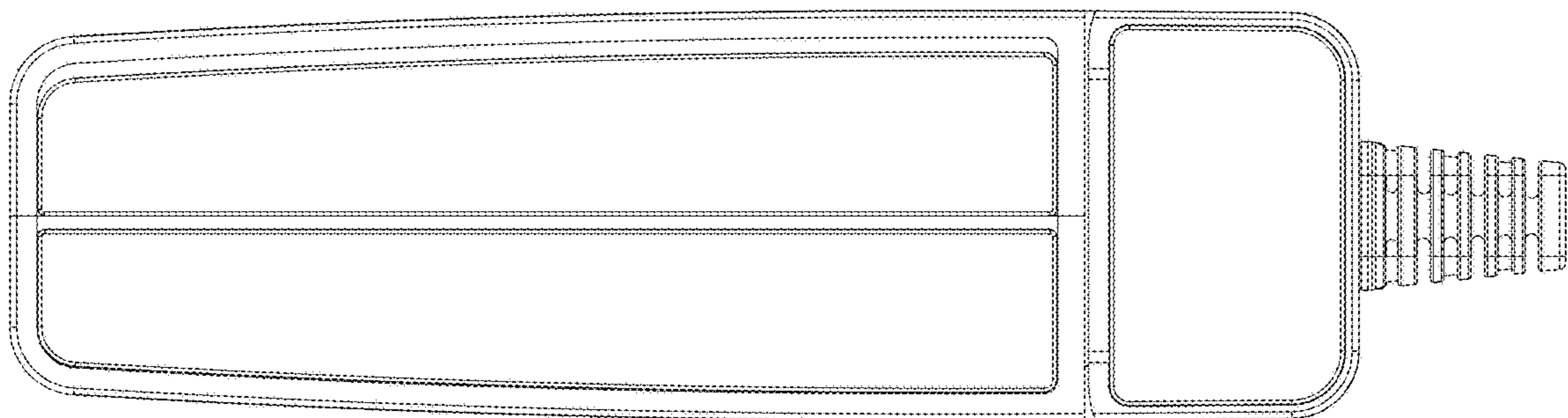


FIG. 7

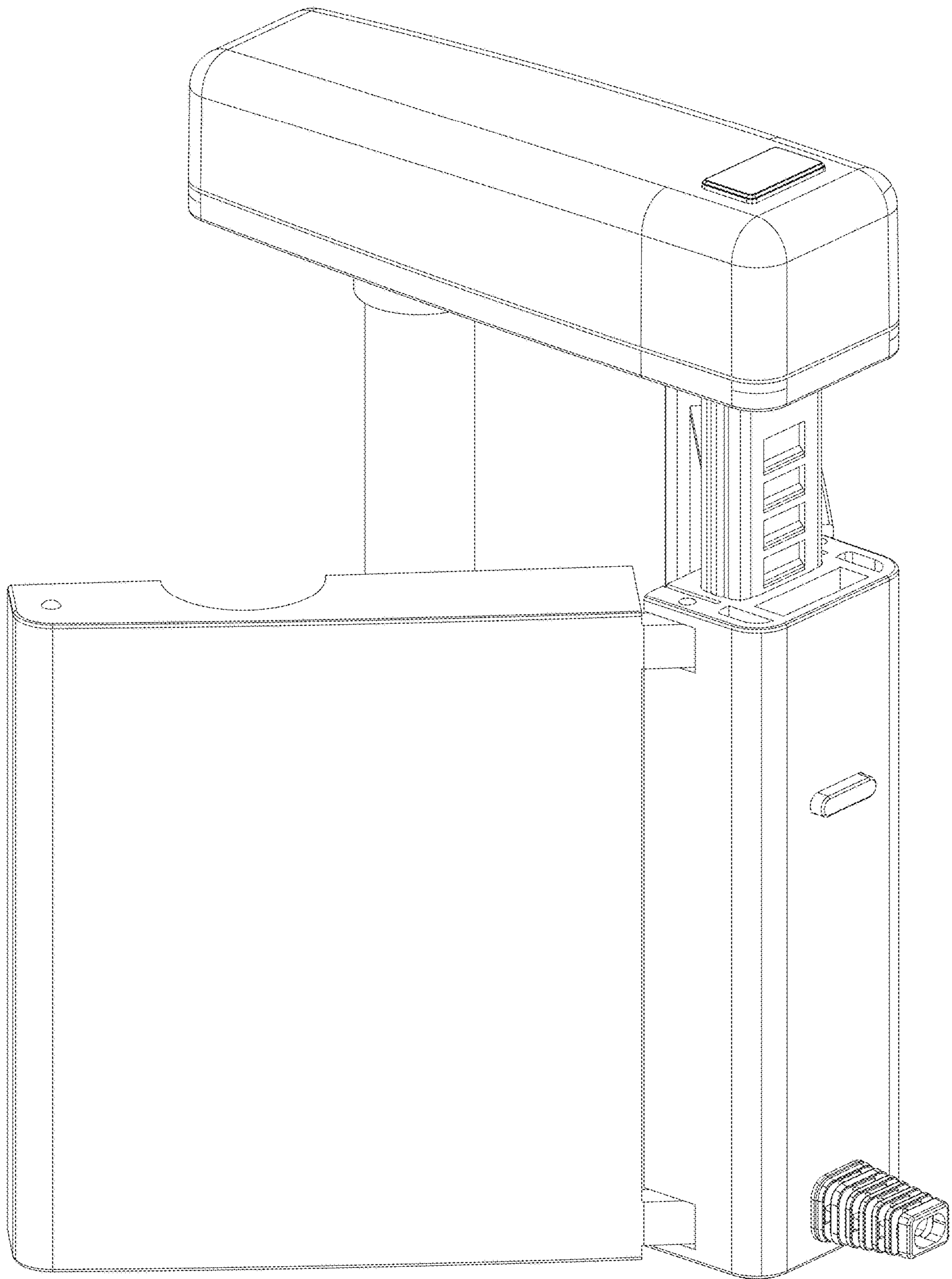


FIG. 8

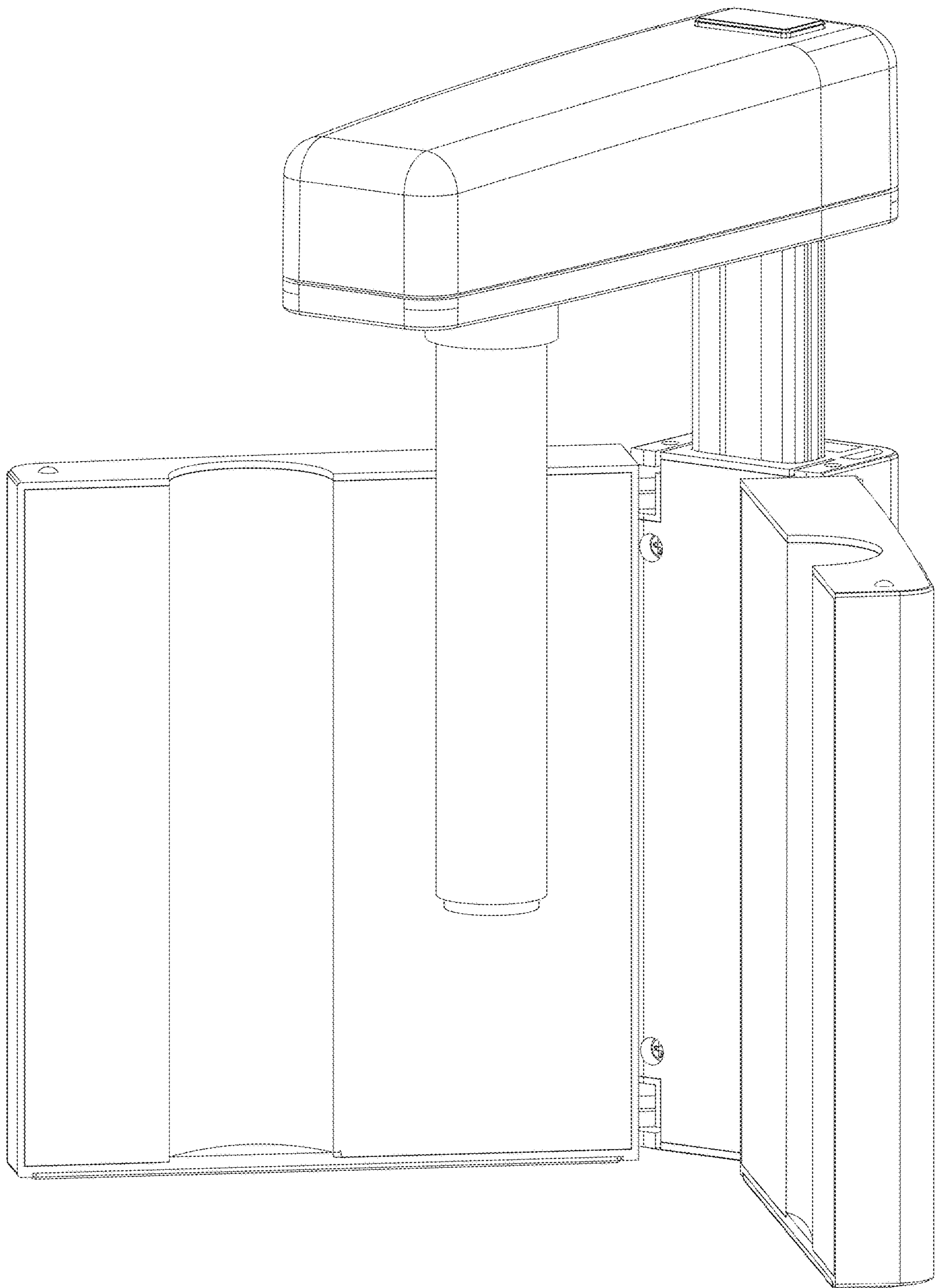


FIG. 9