



US00D860417S

(12) **United States Design Patent** (10) **Patent No.:** **US D860,417 S**
Kergoet (45) **Date of Patent:** **** Sep. 17, 2019**

(54) **TOILET TANK**
(71) Applicant: **KOHLER CO.**, Kohler, WI (US)
(72) Inventor: **Francois Kergoet**, Malakoff (FR)
(73) Assignee: **KOHLER CO.**, Kohler, WI (US)
(**) Term: **15 Years**

D536,771 S 2/2007 Chenesseau
D538,410 S 3/2007 Chenesseau
D549,508 S 8/2007 Clark
D557,392 S 12/2007 Mukai
D578,184 S 10/2008 Kitzmiller
D585,119 S 1/2009 Kitzmiller
(Continued)

(21) Appl. No.: **29/640,131**
(22) Filed: **Mar. 12, 2018**

Related U.S. Application Data

(62) Division of application No. 29/576,678, filed on Sep. 6, 2016, now Pat. No. Des. 812,728.

Foreign Application Priority Data

Mar. 9, 2016 (EM) 003021922

(51) **LOC (12) Cl.** **23-02**

(52) **U.S. Cl.**
USPC **D23/309**

(58) **Field of Classification Search**
USPC D23/295-301, 303, 309, 311-313
CPC A47K 11/02; A47K 11/026; A47K 11/00;
A47K 13/00; E03D 11/18; E03D 5/10;
E03D 13/00

See application file for complete search history.

(56) **References Cited**

U.S. PATENT DOCUMENTS

723,973 A 3/1903 Alexander
D337,376 S 7/1993 Ragonot
D449,674 S 10/2001 Otte
D455,477 S 4/2002 Soulier
D463,538 S 9/2002 Chipperfield
D471,621 S * 3/2003 Bennie D23/313
D496,444 S * 9/2004 Kergoet D23/301
D508,984 S 8/2005 Gordon
D531,714 S * 11/2006 Soulier D23/313
D536,428 S 2/2007 Kohler, Jr.

OTHER PUBLICATIONS

Tavistock Micra Comfort Height Toilet with Push Button Cistern [May 3, 2019] found online [May 3, 2019]—https://www.heatandplumb.com/catalog/tavistock-micra-comfort-height-toilet-pc100s-c100s-ts100wsc.*

Primary Examiner — Brandon M Rosati

Assistant Examiner — John A Voytek

(74) *Attorney, Agent, or Firm* — Foley & Lardner LLP

(57) **CLAIM**

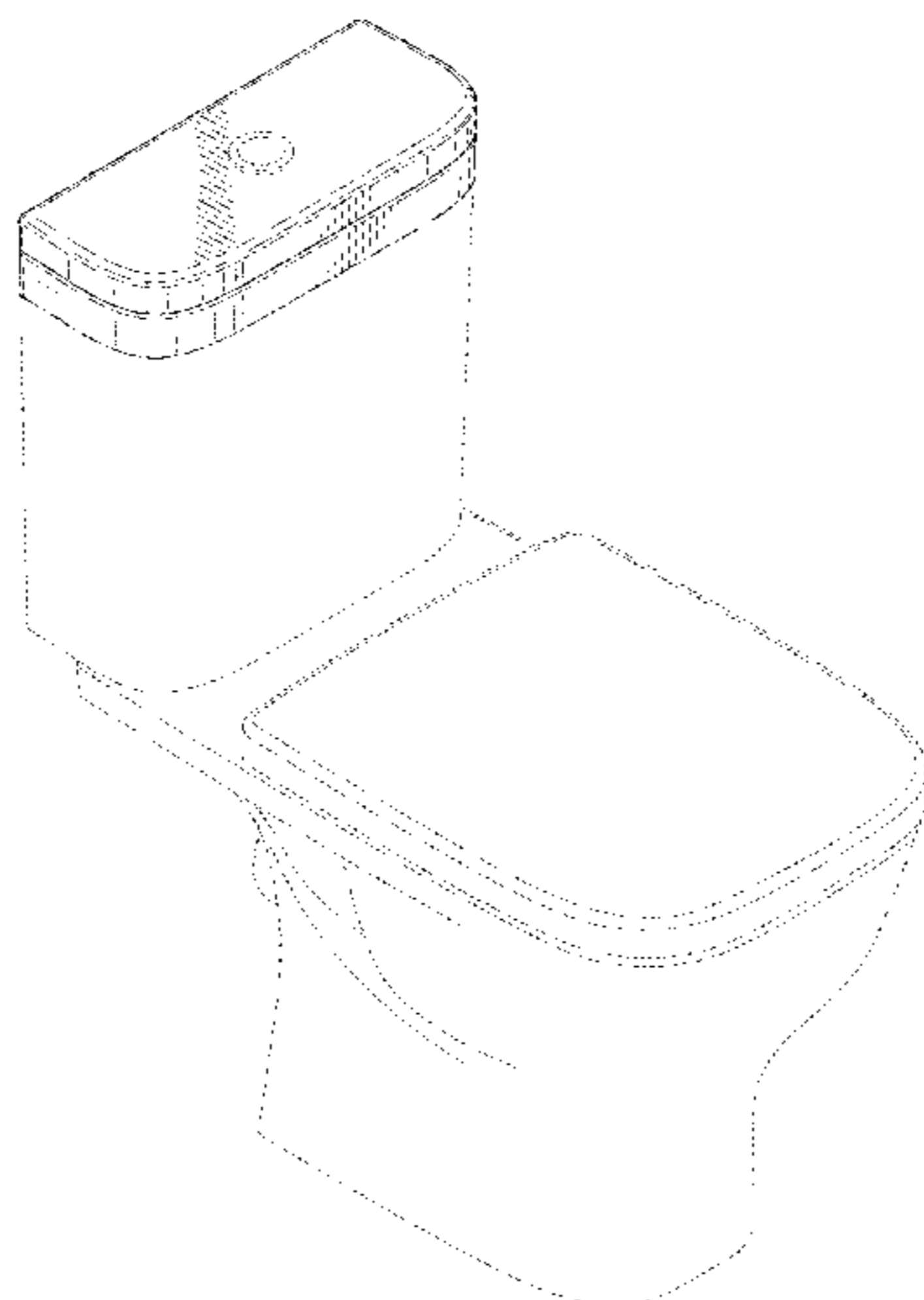
The ornamental design for a toilet tank, as shown and described.

DESCRIPTION

FIG. 1 is a top, front, left perspective view of an embodiment of the claimed design;
FIG. 2 is a right side elevation view thereof;
FIG. 3 is a left side elevation view thereof;
FIG. 4 is a front elevation view thereof;
FIG. 5 is a rear elevation view thereof;
FIG. 6 is a top plan view thereof; and,
FIG. 7 is a bottom plan view thereof.

The ornamental design which is claimed is shown in solid lines in the drawings. The broken lines in the drawings are for illustrative purposes only and form no part of the claimed design. Broken lines formed by equal length dashes in the drawings illustrate unclaimed portions of the design. Broken lines formed of unequal length dashes (i.e., dash-dot) show boundaries between claimed and unclaimed portions of the design.

1 Claim, 7 Drawing Sheets



(56)

References Cited

U.S. PATENT DOCUMENTS

D588,679	S	3/2009	Cheng	
D594,944	S	6/2009	Starck	
D600,333	S	9/2009	Liu	
D600,335	S	9/2009	Cleppe	
D601,233	S	9/2009	Kergoet	
D602,133	S	10/2009	Soulier	
D624,997	S	10/2010	Schonherr	
D630,715	S	1/2011	Thomas	
D631,143	S	1/2011	Thomas	
D637,702	S	5/2011	Rexach	
D645,124	S	9/2011	Palomba	
D646,366	S *	10/2011	Palomba	D23/301
D659,811	S	5/2012	Licini	
D667,940	S	9/2012	Licini	
8,296,870	B2	10/2012	Kannenglesser	
D687,936	S *	8/2013	Kennedy	D23/313
D694,378	S	11/2013	Bates	
D694,379	S	11/2013	Bates	
D695,384	S	12/2013	Bates	
D700,686	S	3/2014	Spangler	
D702,819	S	4/2014	Garland	
D770,020	S	10/2016	Lilly	
D797,911	S *	9/2017	Mesun	D23/301
D799,011	S	10/2017	Stevenson	
D802,105	S *	11/2017	Stevenson	D23/301
D802,106	S *	11/2017	Stevenson	D23/301
D809,636	S	2/2018	Dong	
D811,563	S	2/2018	L'Henaff	
D829,873	S *	10/2018	Booth	D23/313
D840,521	S *	2/2019	Kergoet	D23/295
2008/0201835	A1	8/2008	Ueno	

* cited by examiner

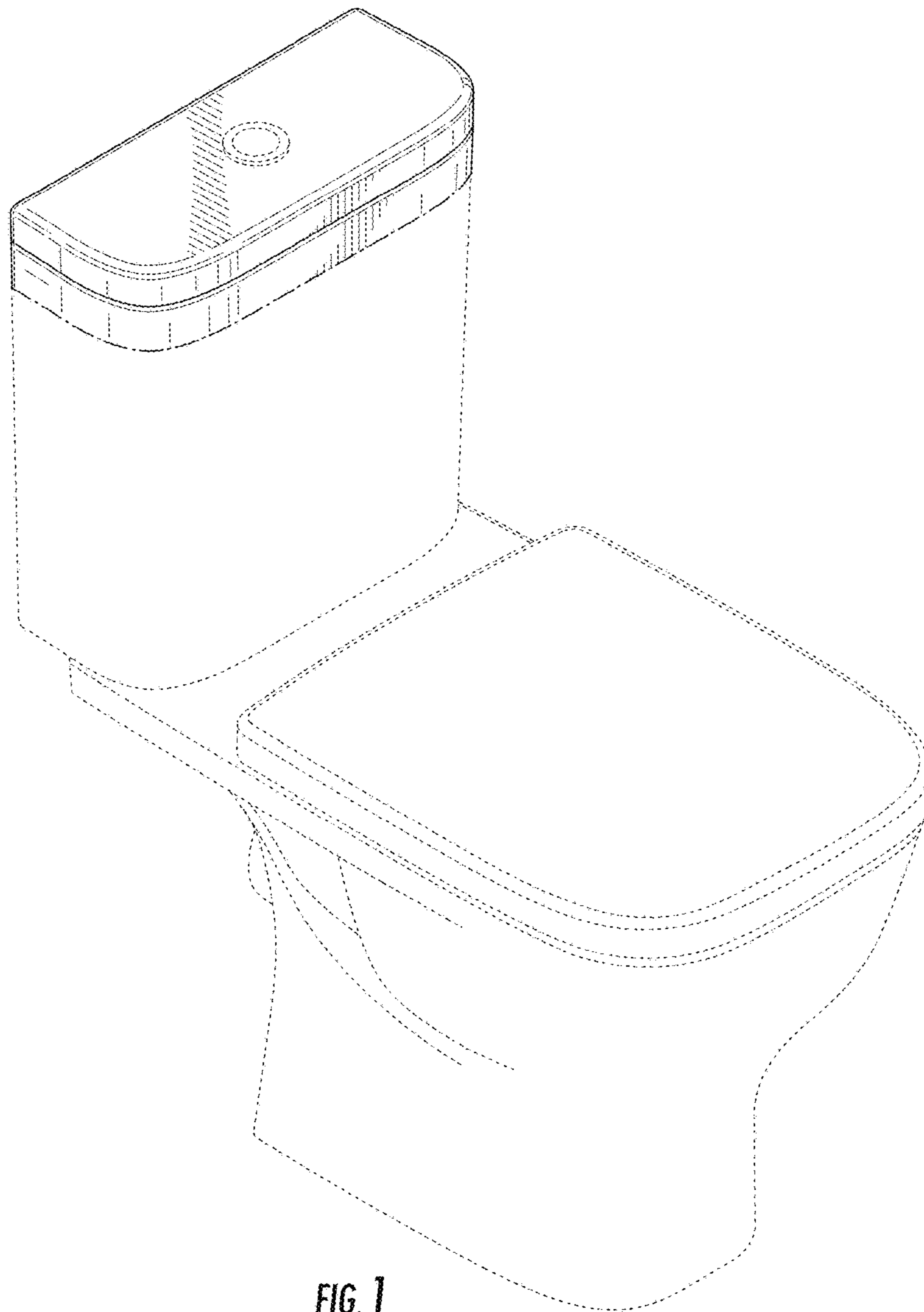


FIG. 1

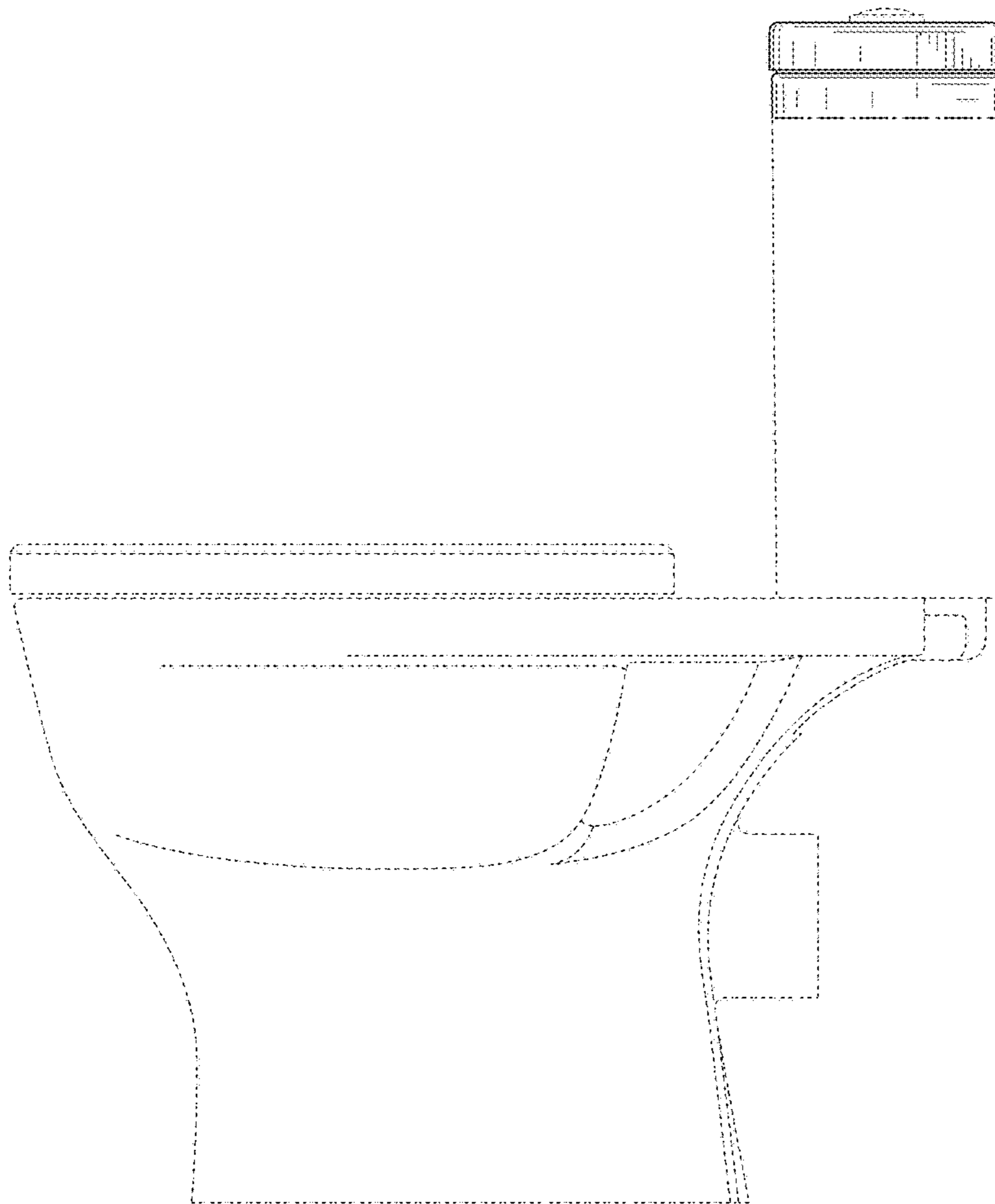


FIG. 2

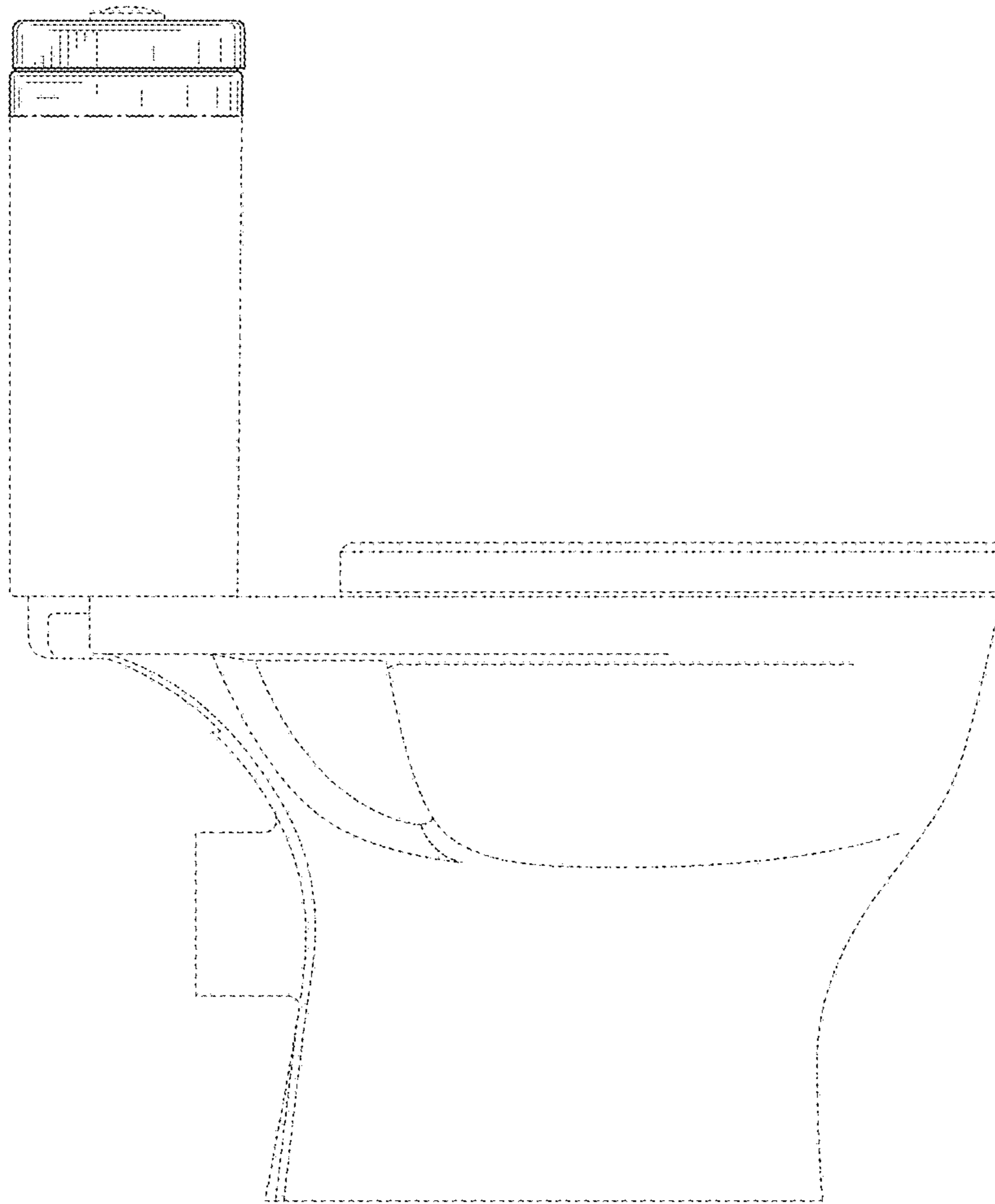


FIG. 3

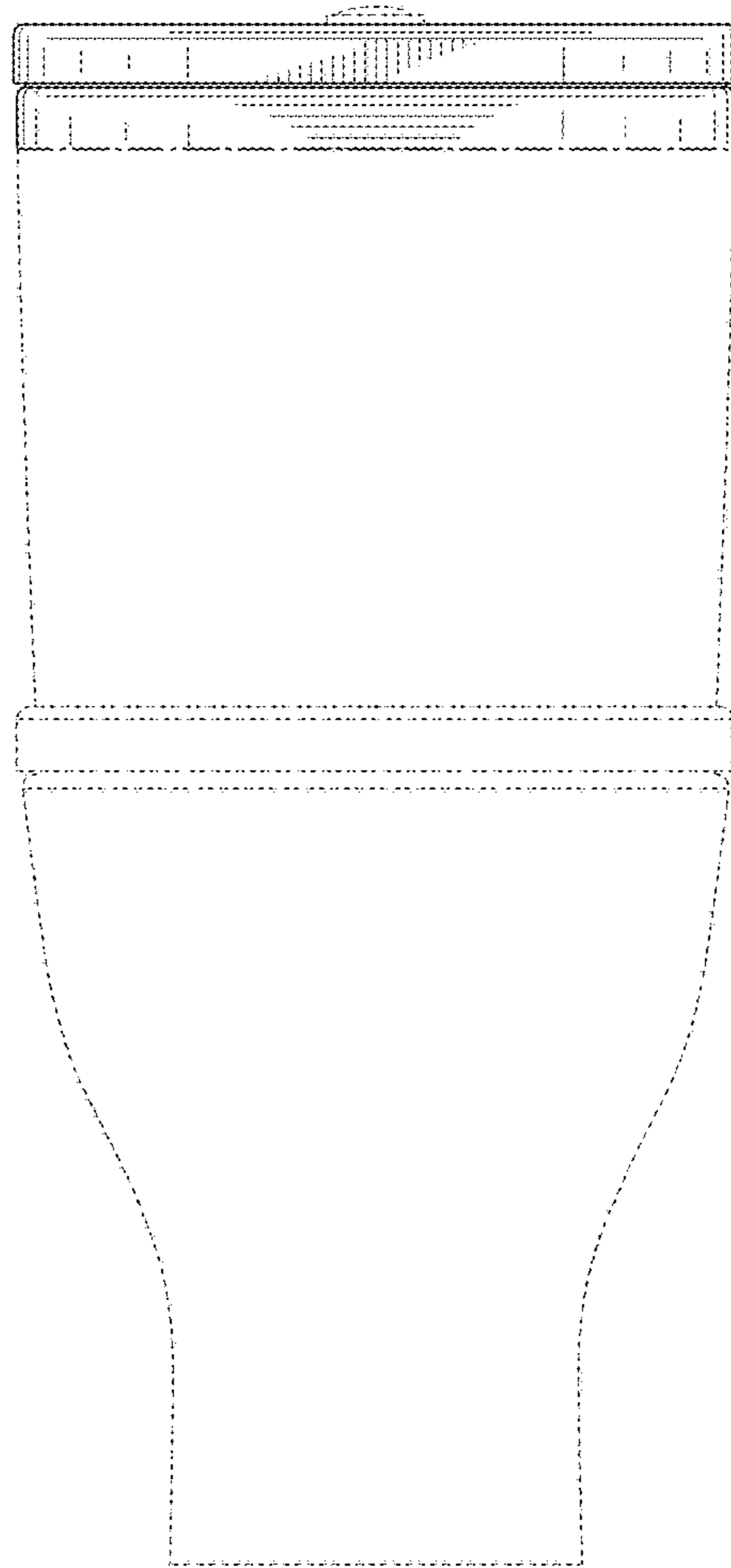


FIG. 4

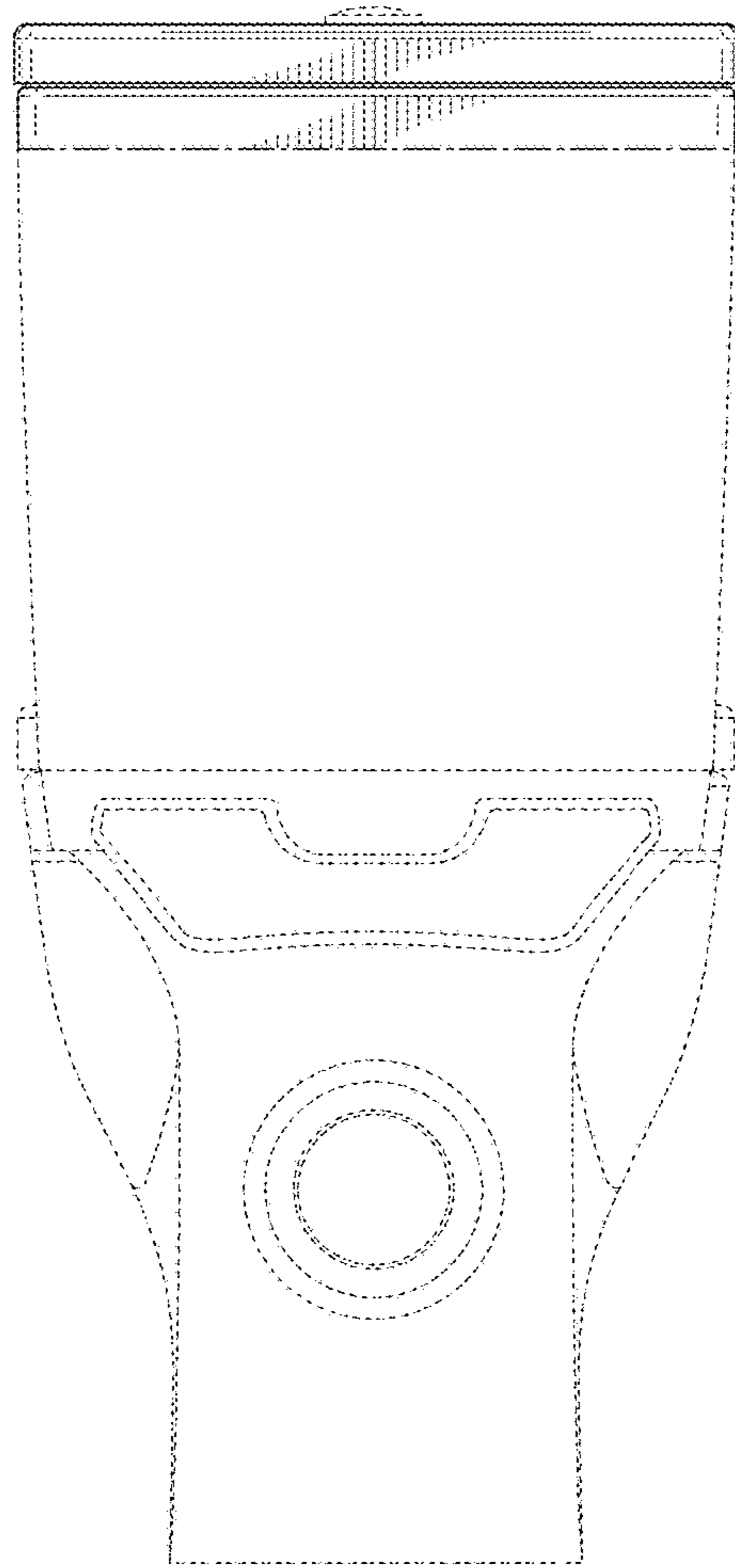


FIG. 5

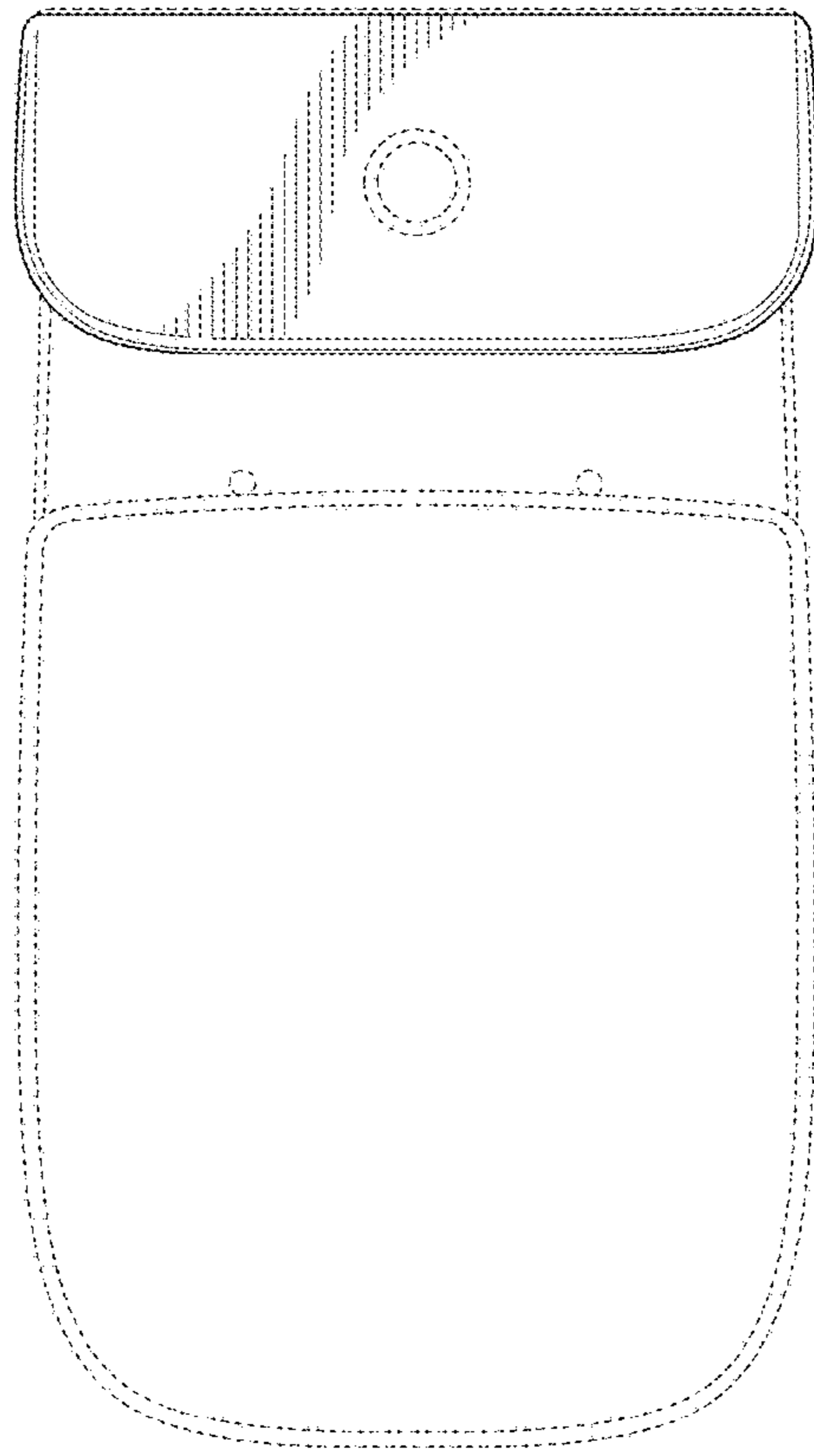


FIG. 6

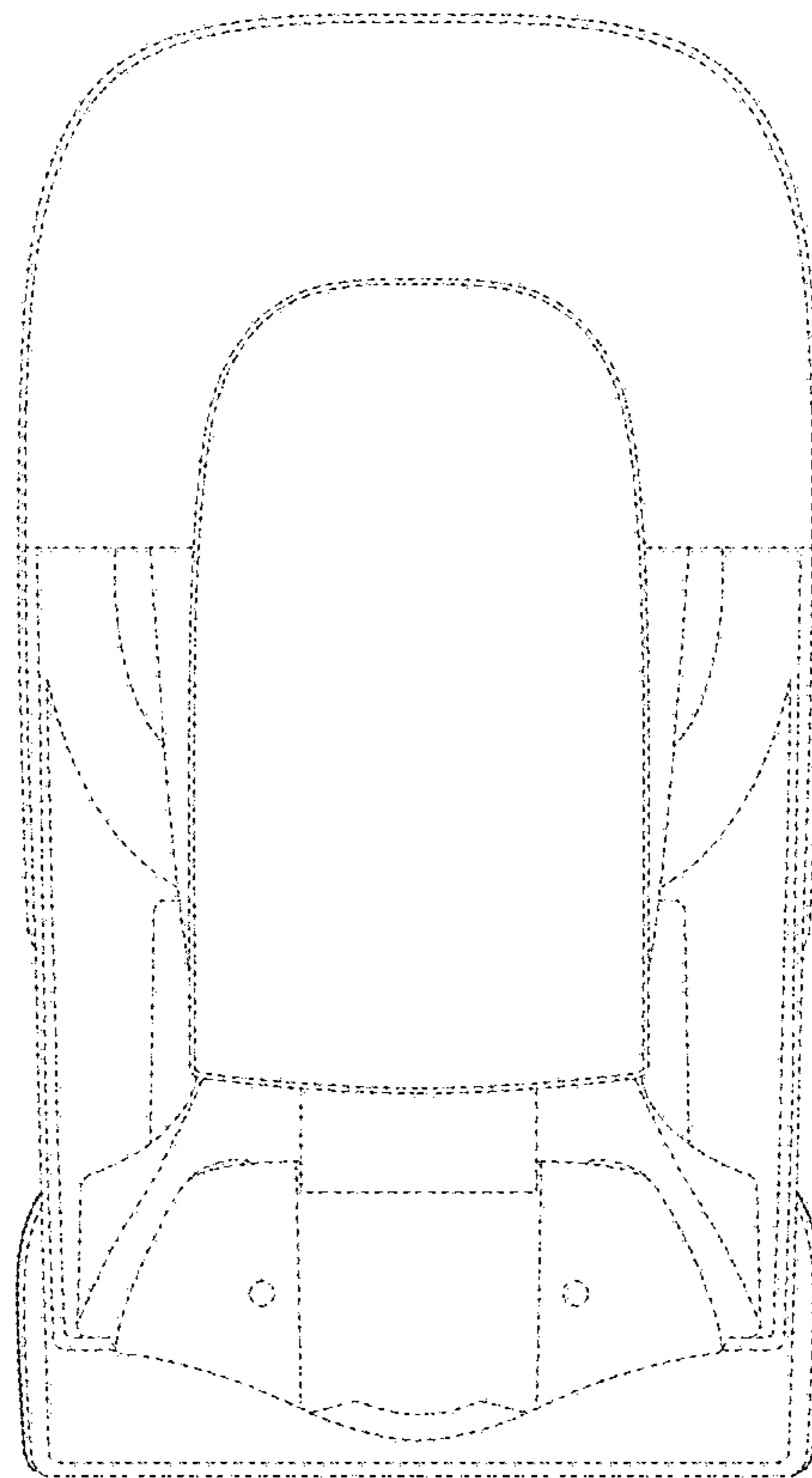


FIG. 7