



US00D860416S

(12) **United States Design Patent** (10) **Patent No.:** **US D860,416 S**
Kergoet (45) **Date of Patent:** **** Sep. 17, 2019**

- (54) **SINK**
- (71) Applicant: **KOHLER CO.**, Kohler, WI (US)
- (72) Inventor: **Francois Kergoet**, Malakoff (FR)
- (73) Assignee: **KOHLER CO.**, Kohler, WI (US)
- (**) Term: **15 Years**
- (21) Appl. No.: **29/640,086**
- (22) Filed: **Mar. 12, 2018**

Related U.S. Application Data

- (62) Division of application No. 29/576,678, filed on Sep. 6, 2016, now Pat. No. Des. 812,728.

Foreign Application Priority Data

Mar. 9, 2016 (EM) 003021922

- (51) **LOC (12) Cl.** **23-02**

- (52) **U.S. Cl.**
USPC **D23/308**

Field of Classification Search

USPC D23/284-292, 293.1, 295-301, 303, 308;
D9/425; D8/1; D11/155, 156; D3/304
CPC A47K 1/04; A47B 77/06; A47J 47/20
See application file for complete search history.

(56) **References Cited**

U.S. PATENT DOCUMENTS

723,973 A	3/1903	Alexander	
D198,016 S *	4/1964	Kaiser	D23/284
D337,376 S	7/1993	Ragonot	
D434,124 S *	11/2000	McKeone	D23/284
D449,674 S	10/2001	Otte	
D455,477 S	4/2002	Soulier	
D463,538 S	9/2002	Chipperfield	
D508,984 S	8/2005	Gordon	

D536,428 S	2/2007	Kohler, Jr.	
D536,771 S	2/2007	Chenesseau	
D538,410 S	3/2007	Chenesseau	
D549,508 S	8/2007	Clark	
D557,392 S	12/2007	Mukai	
D578,184 S	10/2008	Kitzmiller	
D585,119 S	1/2009	Kitzmiller	
D588,679 S	3/2009	Cheng	
D594,944 S	6/2009	Starck	
D600,333 S	9/2009	Liu	
D600,335 S	9/2009	Cleppe	
D601,233 S	9/2009	Kergoet	
D602,133 S	10/2009	Soulier	
D624,997 S	10/2010	Schonherr	
D630,715 S	1/2011	Thomas	
D631,143 S	1/2011	Thomas	
D634,409 S *	3/2011	Palomba	D23/284

(Continued)

Primary Examiner — Lakiya G Rogers

Assistant Examiner — John A Voytek

(74) *Attorney, Agent, or Firm* — Foley & Lardner LLP

(57) **CLAIM**

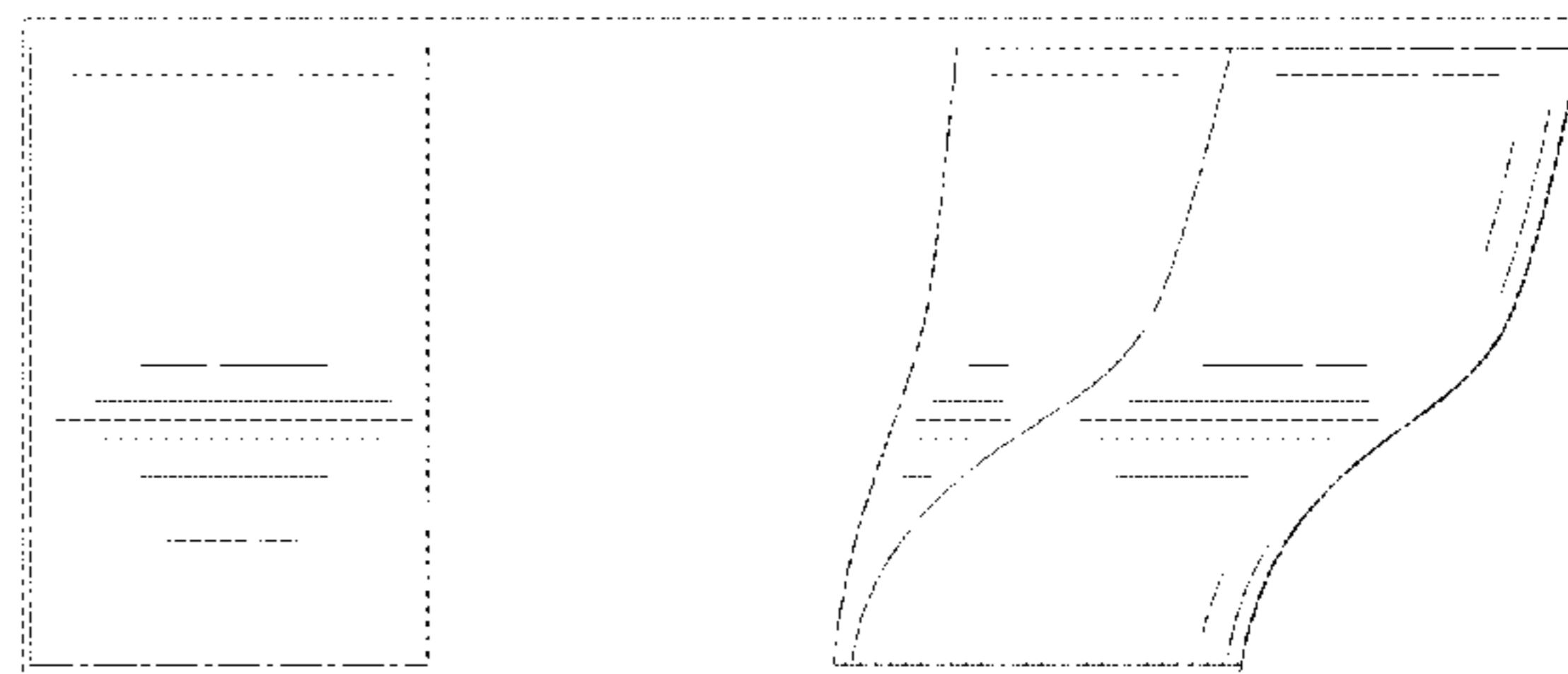
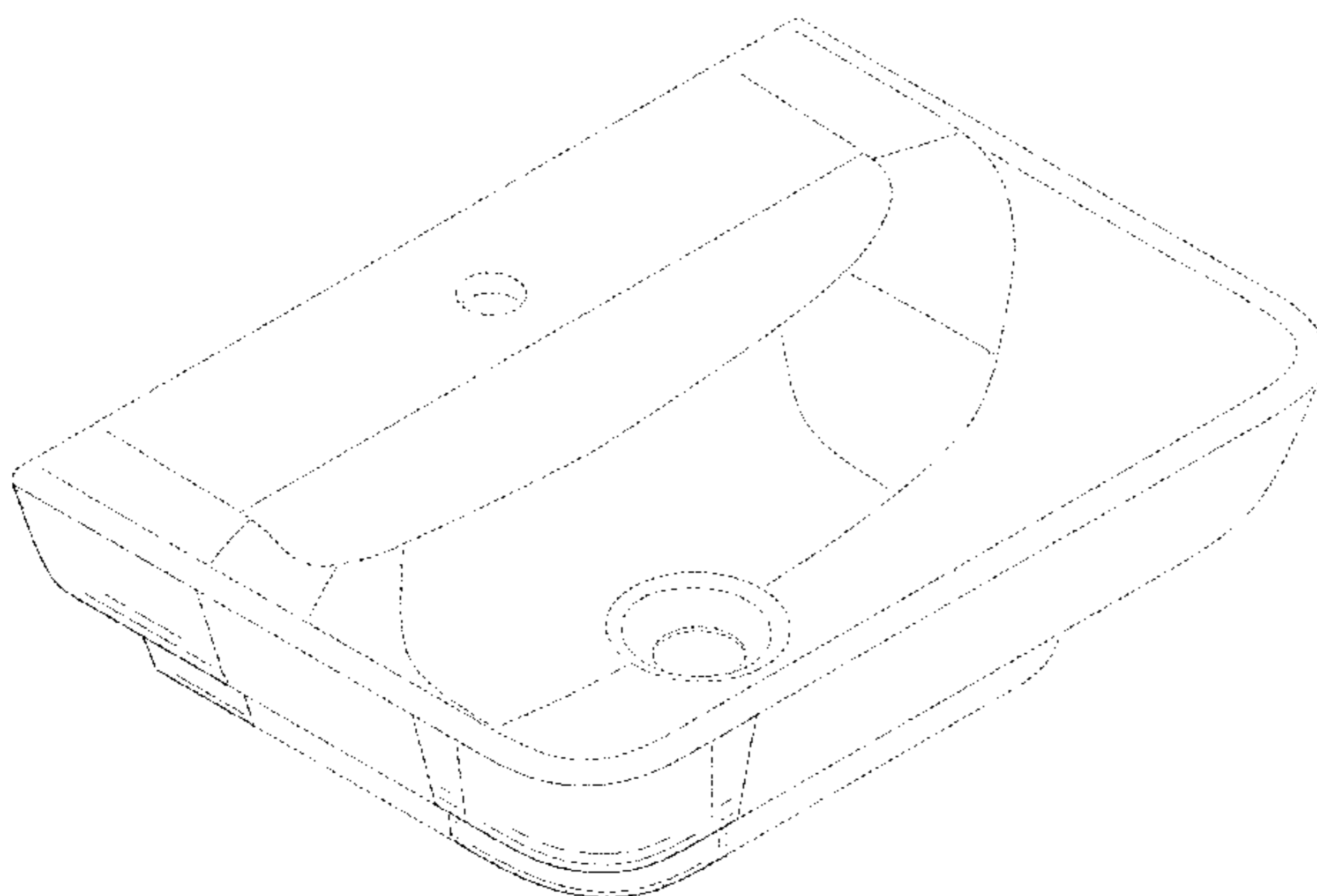
I claim the ornamental design for a sink, as shown and described.

DESCRIPTION

FIG. 1 is a top, front, left perspective view of an embodiment of the claimed design;
 FIG. 2 is a front elevation view thereof;
 FIG. 3 is a rear elevation view thereof;
 FIG. 4 is a left side elevation view thereof;
 FIG. 5 is a right side elevation view thereof;
 FIG. 6 is a top plan view thereof; and,
 FIG. 7 is a bottom plan view thereof.

Broken lines formed by equal length dashes in the drawings illustrate unclaimed portions of the design. Broken lines formed of unequal length dashes (i.e., dash-dot) show boundaries between claimed and unclaimed portions of the design.

1 Claim, 6 Drawing Sheets



(56)

References Cited

U.S. PATENT DOCUMENTS

D634,410 S *	3/2011	Palomba	D23/284
D637,702 S	5/2011	Rexach	
D645,124 S	9/2011	Palomba	
D659,811 S	5/2012	Licini	
D667,940 S	9/2012	Licini	
8,296,870 B2	10/2012	Kannenglesser	
D694,378 S	11/2013	Bates	
D694,379 S	11/2013	Bates	
D695,384 S	12/2013	Bates	
D700,686 S	3/2014	Spangler	
D702,819 S	4/2014	Garland	
D770,020 S	10/2016	Lilly	
D798,424 S *	9/2017	Mesun	D23/301
D799,011 S	10/2017	Stevenson	
D801,490 S *	10/2017	Stevenson	D23/295
D809,636 S	2/2018	Dong	
D811,563 S	2/2018	L'Henaff	
D812,728 S *	3/2018	Kergoet	D23/293.1
D823,994 S *	7/2018	Kergoet	D23/284
D840,003 S *	2/2019	Starck	D23/284
2008/0201835 A1	8/2008	Ueno	

* cited by examiner

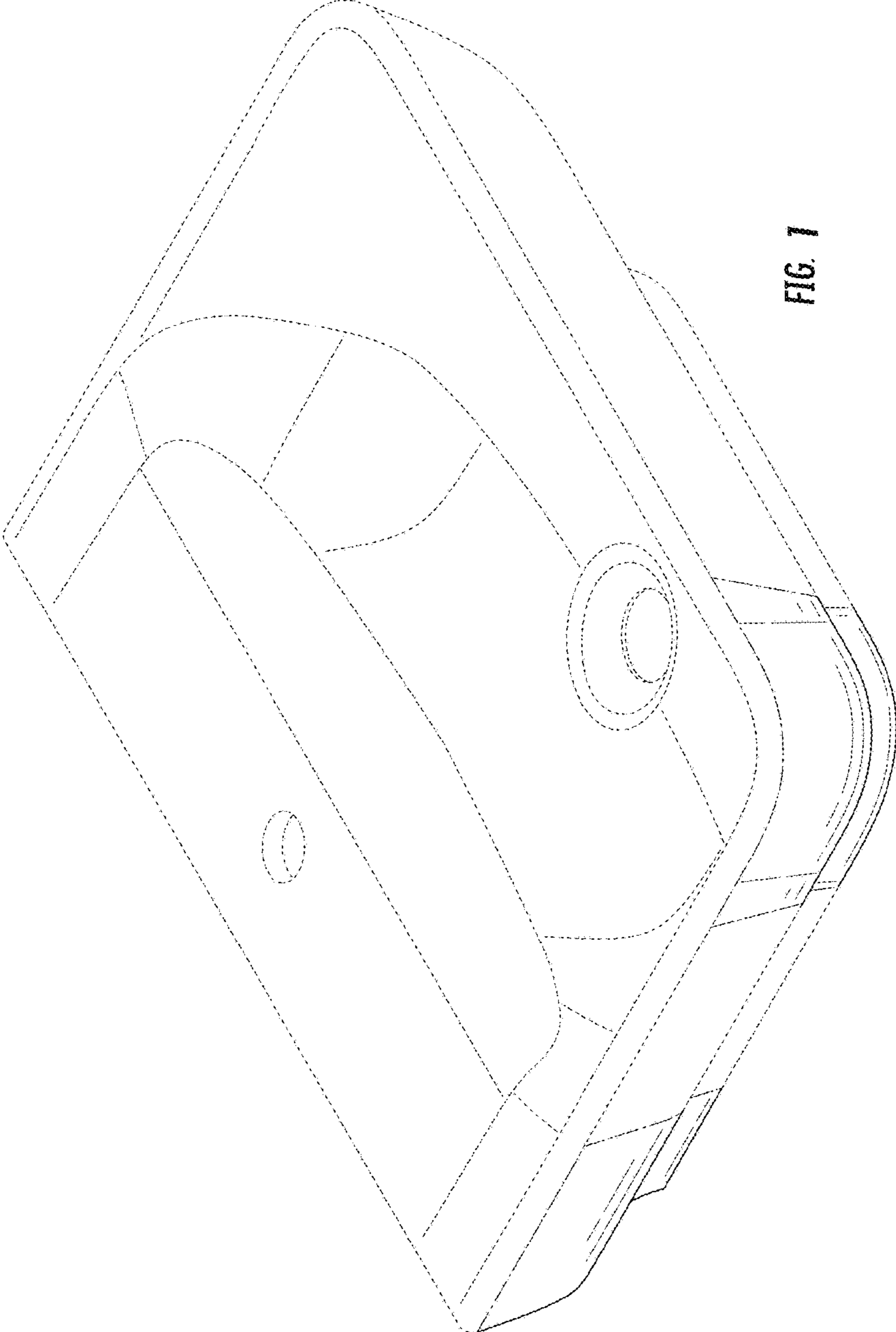


FIG. 1

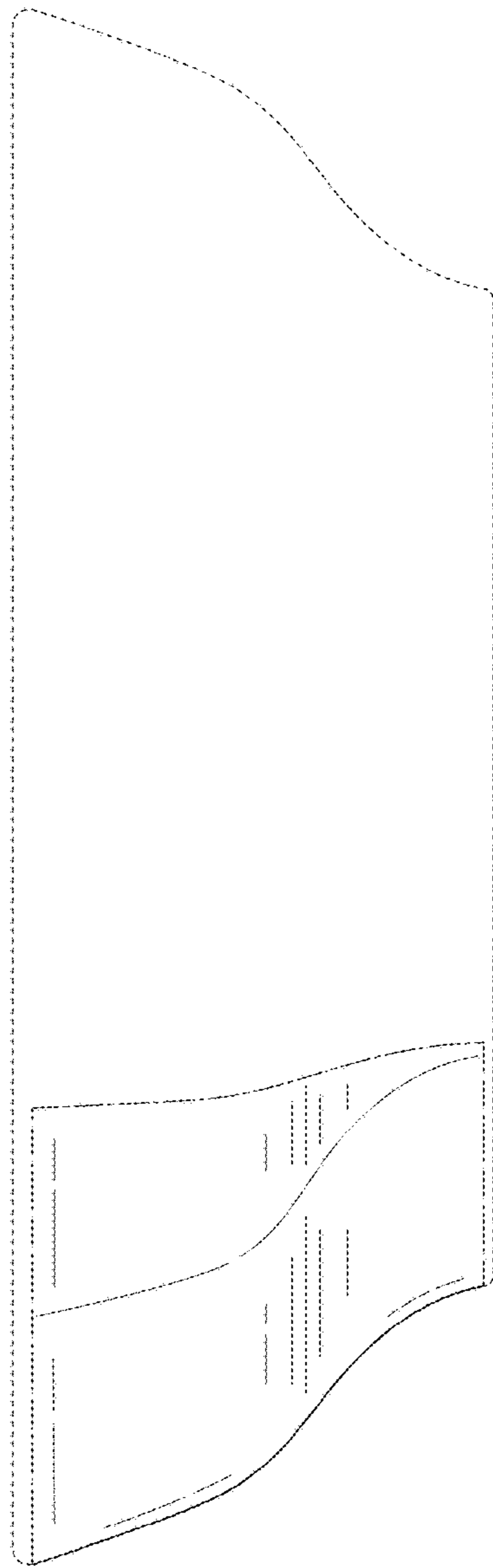


FIG. 2

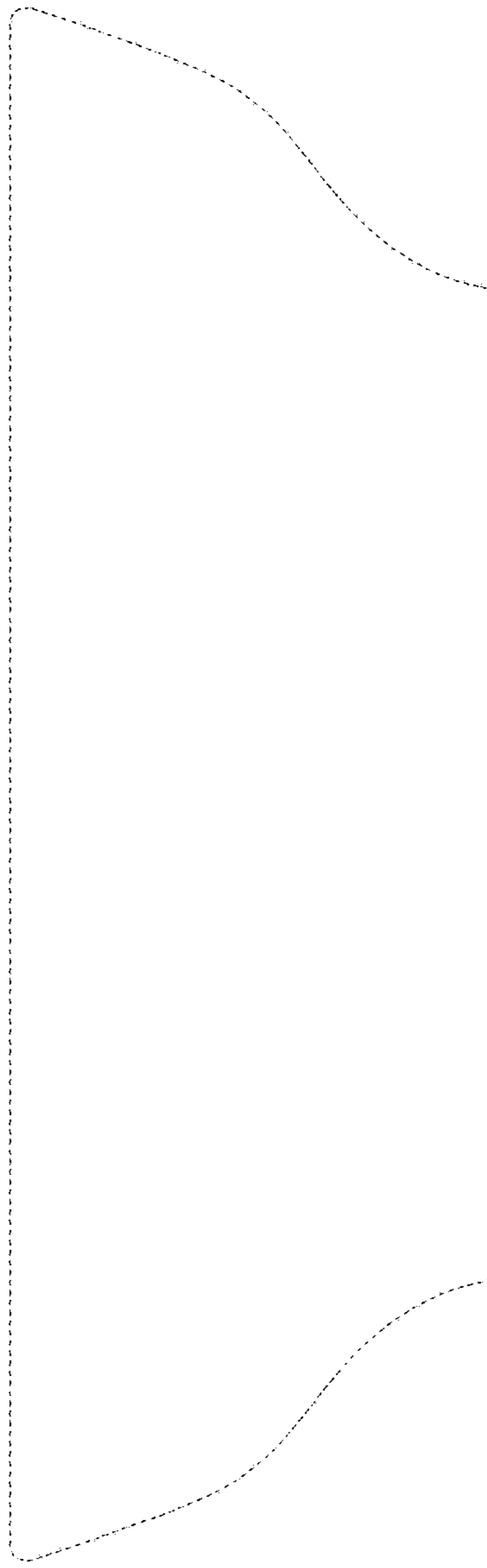


FIG. 3

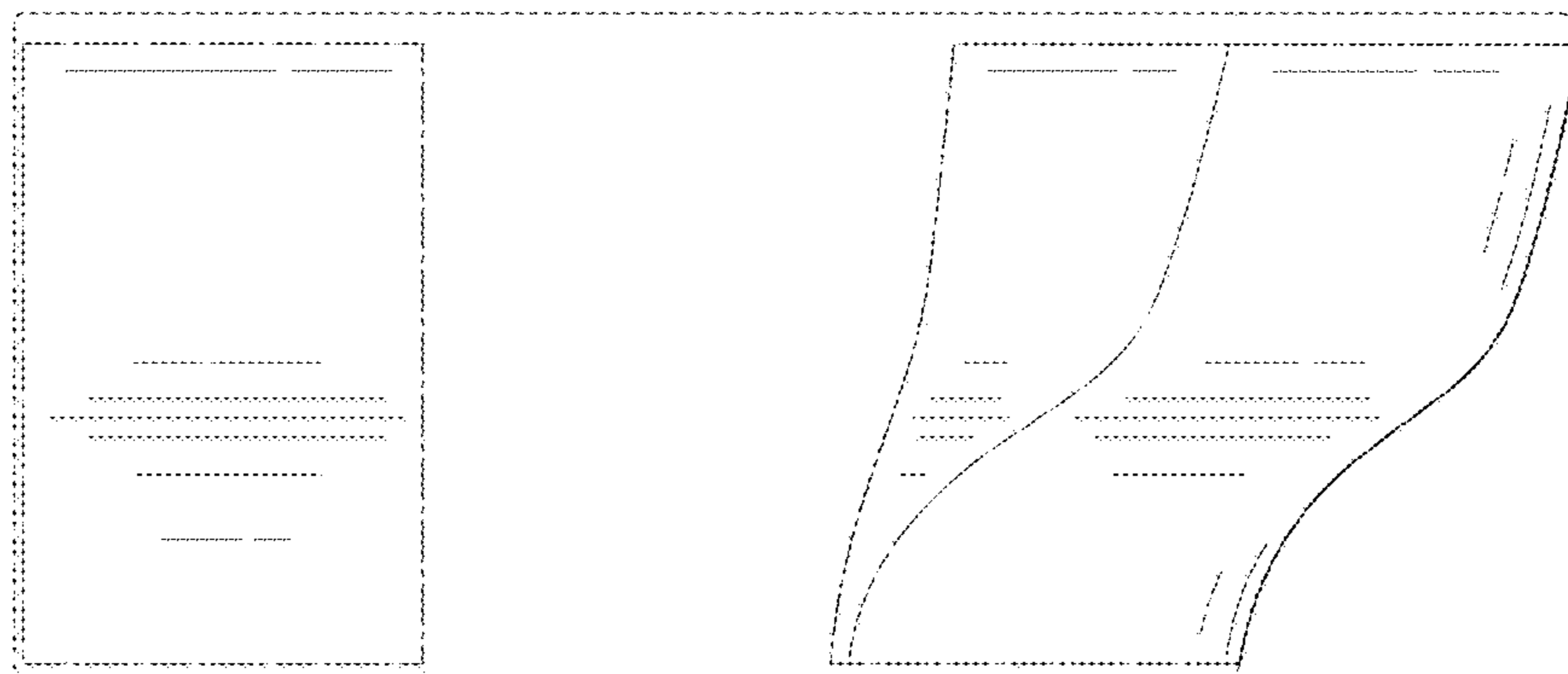


FIG. 4



FIG. 5

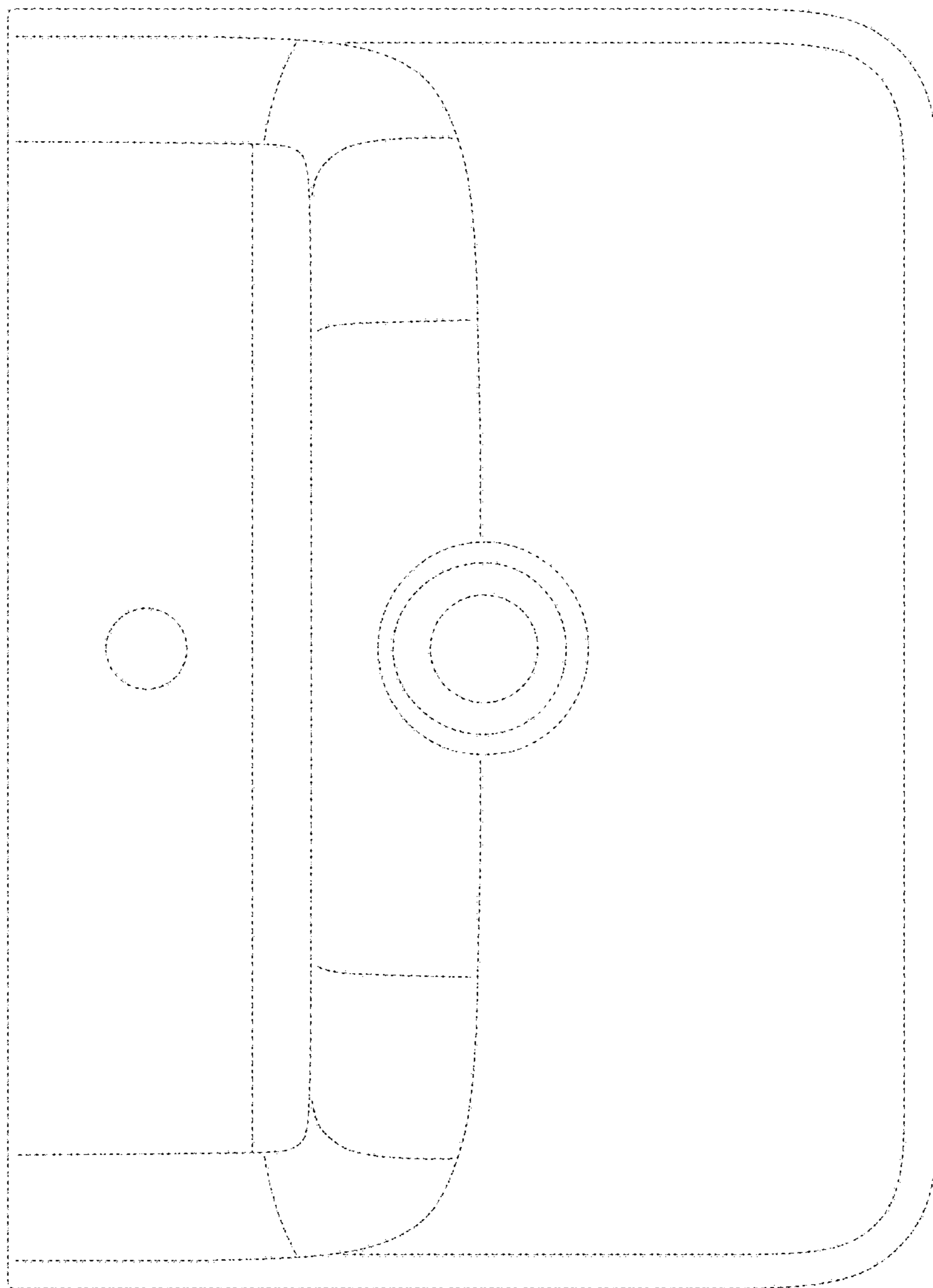


FIG. 6

