

US00D860413S

(12) **United States Design Patent** (10) **Patent No.:** **US D860,413 S**
Bucher (45) **Date of Patent:** **** Sep. 17, 2019**

(54) **SHOWER BASE**
(71) Applicant: **AS America, Inc.**, Piscataway, NJ (US)
(72) Inventor: **Christophe Bucher**, Hillsborough, NJ (US)
(73) Assignee: **AS America, Inc.**, Piscataway, NJ (US)
(**) Term: **15 Years**

9,462,916 B2 10/2016 Adams
D776,246 S 1/2017 Licini
D785,148 S 4/2017 Licini
9,611,634 B2 4/2017 Erlebach
D792,954 S 7/2017 Sander et al.
2006/0191067 A1 8/2006 Sadler
2008/0148474 A1 6/2008 Witt
2013/0276226 A1 10/2013 Cook et al.

(Continued)

(21) Appl. No.: **29/630,386**
(22) Filed: **Dec. 20, 2017**
(51) **LOC (12) Cl.** **23-02**
(52) **U.S. Cl.**
USPC **D23/304**
(58) **Field of Classification Search**
USPC D23/303, 304, 305, 275, 277, 283;
D32/55, 56; D6/524, 708.21
CPC A47K 3/40; A47K 3/405; A47K 3/022;
A47K 3/28; A47K 3/282
See application file for complete search history.

FOREIGN PATENT DOCUMENTS

CA 2514275 A1 * 2/2006 A47K 3/40
DE 101 31 338 9/2002
(Continued)

OTHER PUBLICATIONS

Mincey Marble Manufacturing. (2006) "Installation Instructions for Mincey Marble Manufacturing's Standard Cast Marble Trench Drain Shower Pan—Residence Inn by Marriott"; 3 pages.
(Continued)

Primary Examiner — Sheryl Lane
Assistant Examiner — Samantha N Wood
(74) *Attorney, Agent, or Firm* — Morrison & Foerster LLP

(56) **References Cited**

U.S. PATENT DOCUMENTS

D351,019 S 9/1994 Moore et al.
D480,455 S 10/2003 Painter et al.
D486,208 S 2/2004 Piatt et al.
D532,877 S 11/2006 Hisey
D540,926 S * 4/2007 Flores D23/304
D541,913 S 5/2007 Piatt
D596,721 S 7/2009 Hisey
D596,722 S 7/2009 Hisey
D609,316 S 2/2010 Hisey
D611,129 S 3/2010 Hisey
D612,027 S * 3/2010 Hisey D23/304
D612,180 S 3/2010 Mayer
D613,839 S * 4/2010 Hisey D23/304
7,739,757 B2 6/2010 Witt
8,474,068 B2 7/2013 Kik, Sr. et al.
D731,630 S 6/2015 DeSocio
D750,764 S * 3/2016 DeSocio D23/304

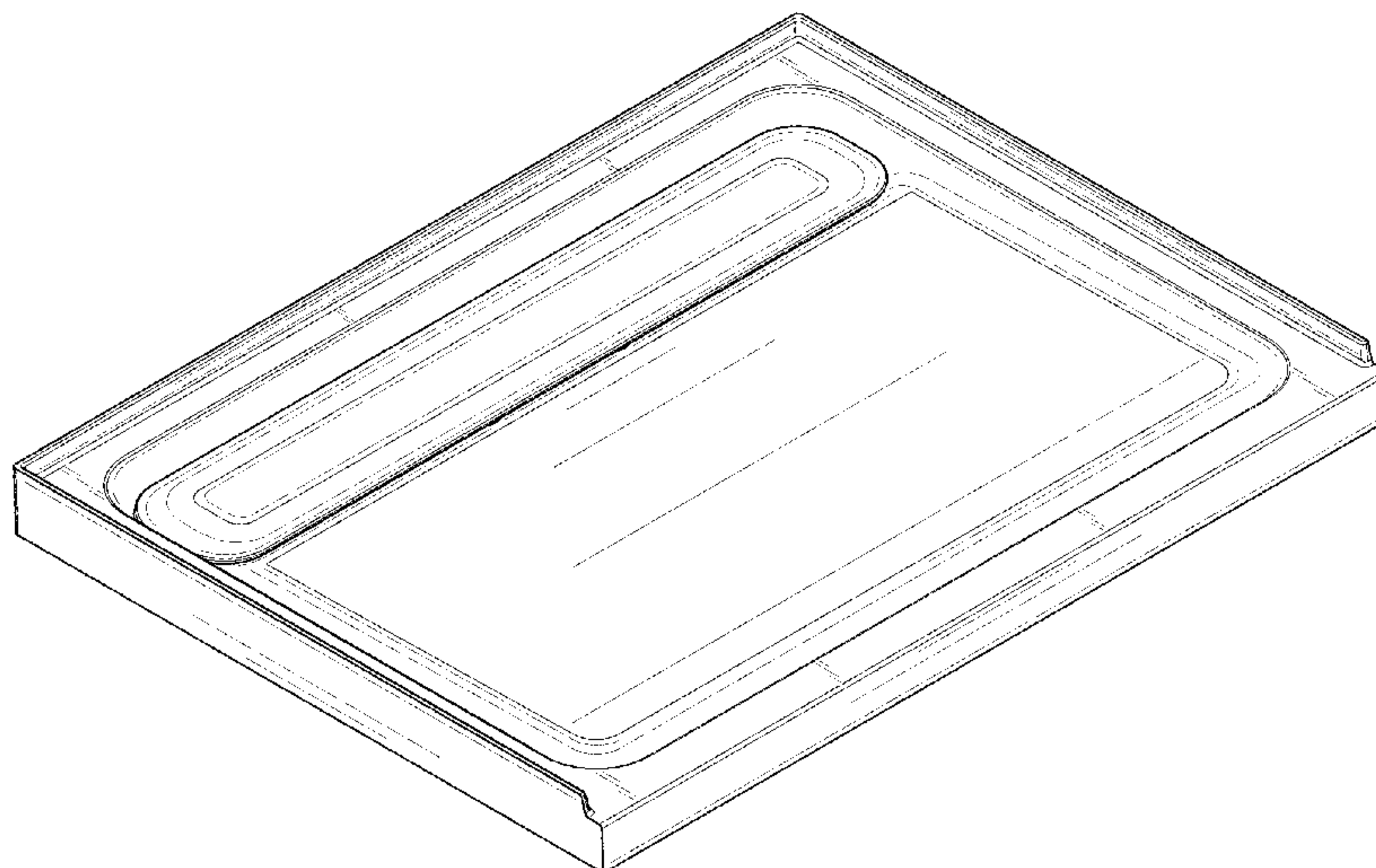
(57) **CLAIM**

I claim the ornamental design for a shower base, as shown and described.

DESCRIPTION

FIG. 1 is a front perspective view of a shower base showing my new design;
FIG. 2 is a front view thereof;
FIG. 3 is a rear view thereof;
FIG. 4 is a side view thereof;
FIG. 5 is a side view of the opposite side of FIG. 4; and,
FIG. 6 is a top view thereof.

1 Claim, 4 Drawing Sheets



(56)

References Cited

U.S. PATENT DOCUMENTS

2016/0166121 A1 6/2016 Zimbric
2017/0164791 A1 6/2017 Provence
2017/0196413 A1 7/2017 Sander et al.

FOREIGN PATENT DOCUMENTS

DE 102007010598 9/2008
EM 000293675-0001 4/2005
EP 1857029 11/2007
JP 2000-265513 9/2000
RU 74583 4/2010

OTHER PUBLICATIONS

Bucher et al., U.S. Office Action dated Dec. 12, 2018, directed to U.S. Appl. No. 29/637,917; 8 pages.
Bucher et al., U.S. Office Action dated Dec. 12, 2018, directed to U.S. Appl. No. 29/637,921; 7 pages.

Bucher et al., U.S. Office Action dated Dec. 12, 2018, directed to U.S. Appl. No. 29/637,922; 6 pages.
Bucher, U.S. Office Action dated Dec. 12, 2018, directed to U.S. Appl. No. 29/630,377; 6 pages.
Bucher, U.S. Office Action dated Dec. 12, 2018, directed to U.S. Appl. No. 29/630,379; 7 pages.
Bucher, U.S. Office Action dated Dec. 12, 2018, directed to U.S. Appl. No. 29/630,385; 7 pages.
Bucher, U.S. Office Action dated Dec. 12, 2018, directed to U.S. Appl. No. 29/630,388; 9 pages.
Bucher, U.S. Office Action dated Dec. 12, 2018, directed to U.S. Appl. No. 29/630,389; 7 pages.
First Notification to Make Rectification dated Nov. 14, 2018, directed to CN Application No. 201830463529.6; 2 pages.
Bucher, U.S. Office Action dated Apr. 2, 2019, directed to U.S. Appl. No. 29/630,385; 5 pages.
Bucher, U.S. Office Action dated Apr. 2, 2019, directed to U.S. Appl. No. 29/630,389; 5 pages.
Examination Report dated May 7, 2019, directed to Canadian Application No. 183084; 3 pages.

* cited by examiner

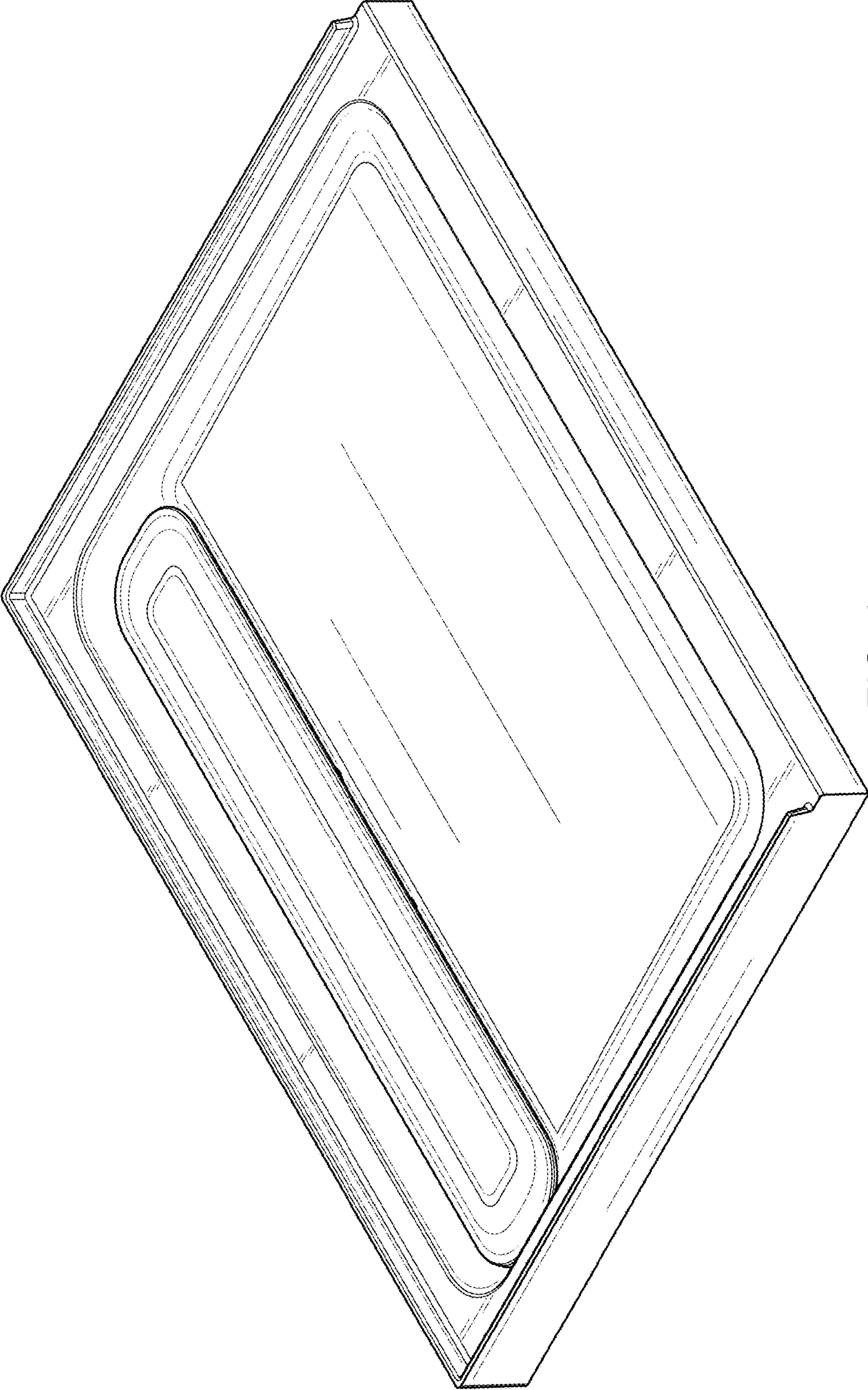


FIG. 1

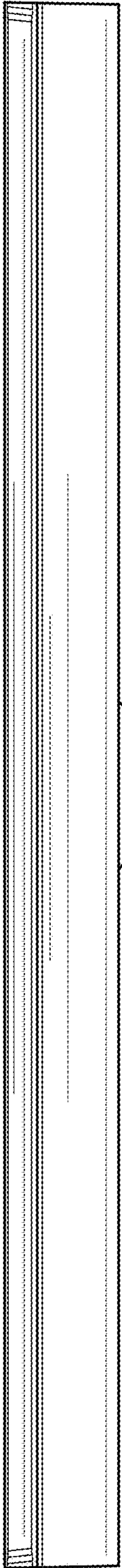


FIG. 2

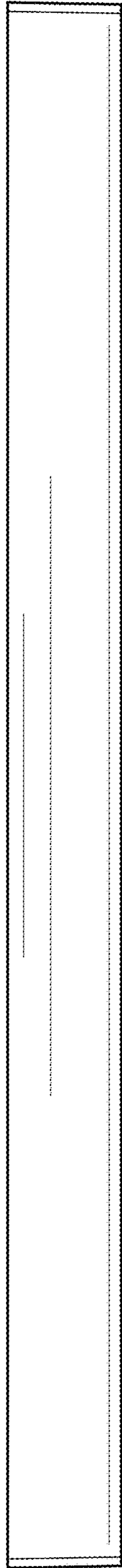


FIG. 3

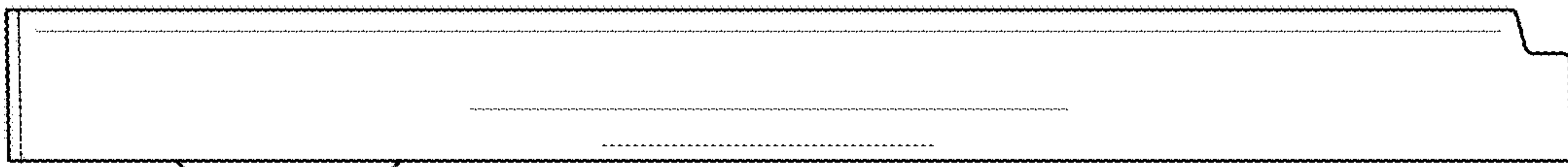


FIG. 4

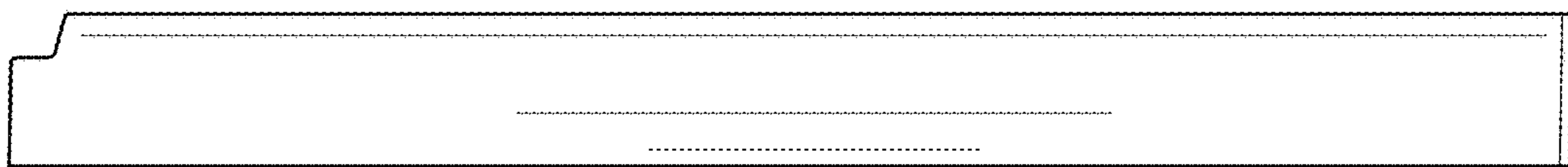


FIG. 5

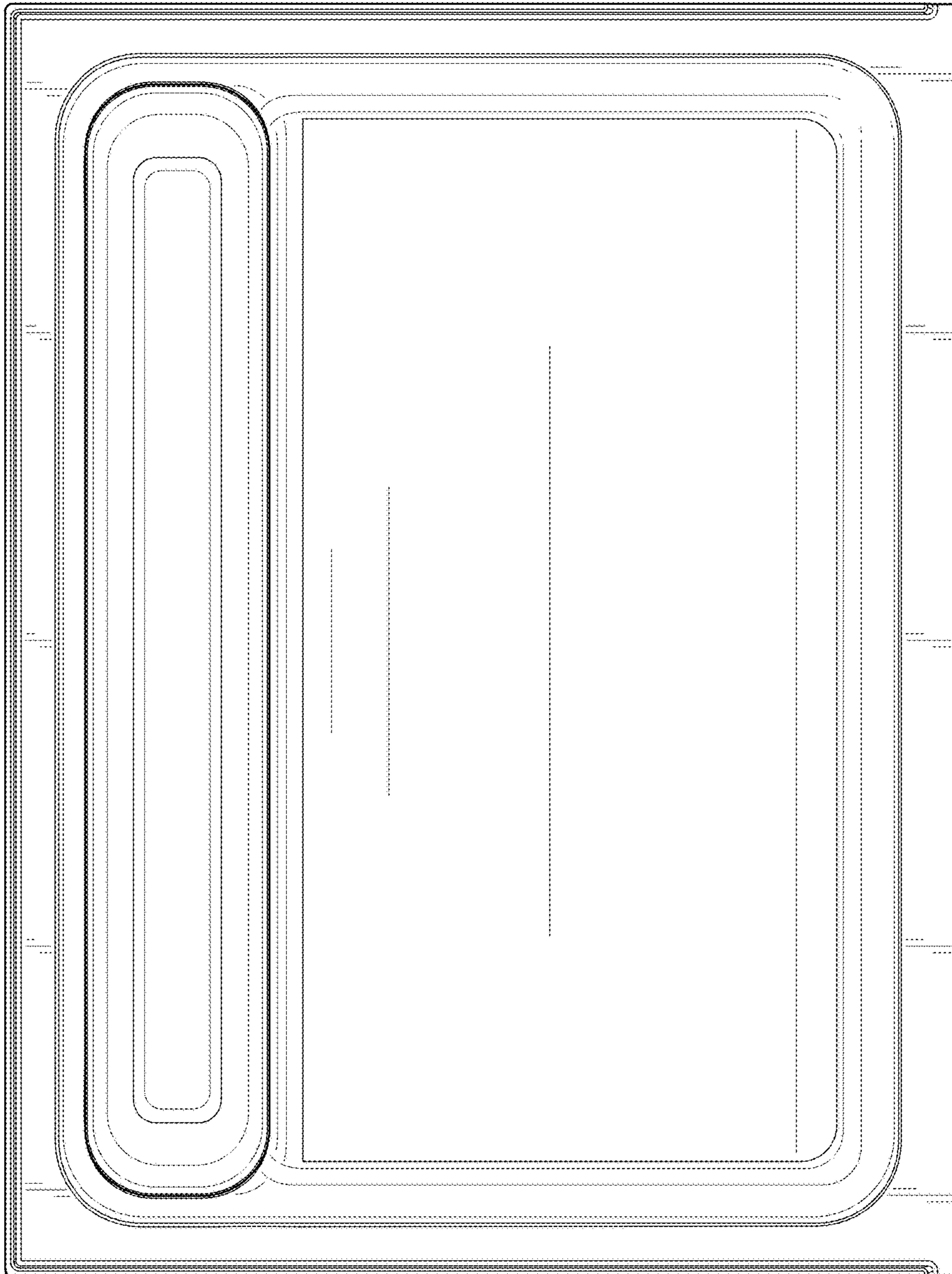


FIG. 6