

US00D860411S

(12) **United States Design Patent** (10) **Patent No.:** **US D860,411 S**
Moller et al. (45) **Date of Patent:** **** Sep. 17, 2019**

(54) **SINK**
(71) Applicant: **Kohler Co.**, Kohler, WI (US)
(72) Inventors: **Adam M. Moller**, Sheboygan, WI (US); **Roque M. Corpuz, Jr.**, Sheboygan, WI (US); **Eden Taylor**, Milwaukee, WI (US); **Dongha Lee**, Sheboygan, WI (US)

D563,534 S 3/2008 Kergoet
D588,247 S 3/2009 Hanna et al.
D588,681 S 3/2009 Cahill
D703,011 S * 4/2014 Tscharner D8/1
D713,221 S * 9/2014 Meyer D8/1
D730,499 S 5/2015 Sclafani
(Continued)

(73) Assignee: **KOHLER CO.**, Kohler, WI (US)
(**) Term: **15 Years**

(21) Appl. No.: **29/638,902**
(22) Filed: **Mar. 1, 2018**

Related U.S. Application Data

(62) Division of application No. 29/595,283, filed on Feb. 27, 2017, now Pat. No. Des. 814,614.
(51) **LOC (12) Cl.** **23-02**
(52) **U.S. Cl.**
USPC **D23/292**
(58) **Field of Classification Search**
USPC D23/284, 287-292, 293.1, 303, 308;
D9/425; D8/1; D11/155, 156; D3/304
CPC A47K 1/04; A47B 77/06; A47J 47/20
See application file for complete search history.

(56) **References Cited**

U.S. PATENT DOCUMENTS

D60,396 S 2/1922 Budlong
D298,452 S * 11/1988 Carter D23/293.1
D332,829 S 1/1993 Belfor
D433,743 S 11/2000 Marshall
D469,523 S * 1/2003 Liu D23/292
D476,067 S * 6/2003 Palacin D23/308
D488,212 S 4/2004 Garza et al.
D506,812 S * 6/2005 Rivas D23/292
D542,389 S 5/2007 Kakihana
D545,947 S * 7/2007 Bruce D23/293.1

OTHER PUBLICATIONS

Ceramica Flaminia Twin Column | Freestanding washbasin [Apr. 4, 2019] found online [Apr. 4, 2019]—https://www.archiproducts.com/en/products/ceramica-flaminia/freestanding-ceramic-washbasin-twin-column-freestanding-washbasin_221963.*

(Continued)

Primary Examiner — Lakiya G Rogers
Assistant Examiner — John A Voytek
(74) *Attorney, Agent, or Firm* — Foley & Lardner LLP

(57) **CLAIM**

We claim the ornamental design for a sink, as shown and described.

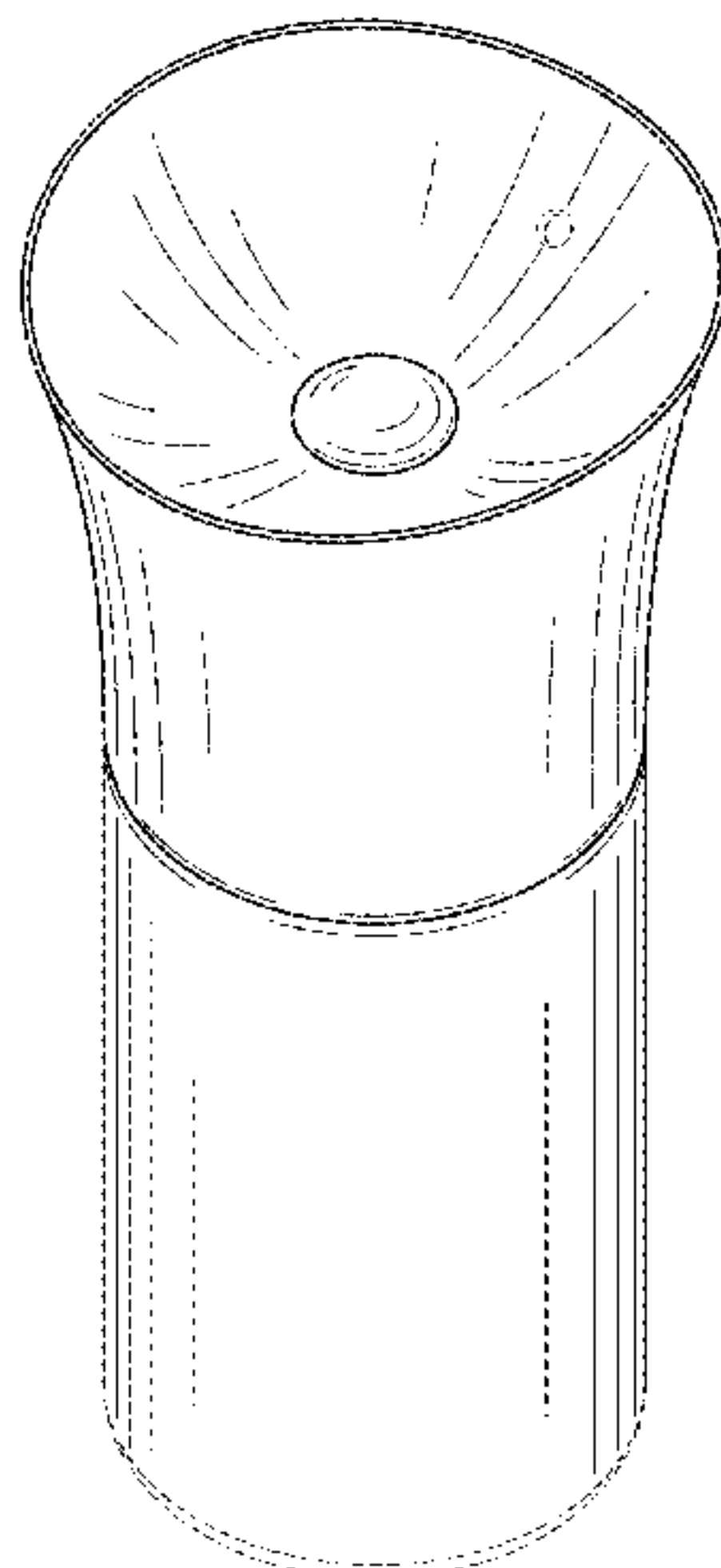
DESCRIPTION

FIG. 1 is a perspective view of an embodiment of the claimed design;
FIG. 2 is a front view of the design shown in FIG. 1;
FIG. 3 is a top view of the design shown in FIG. 1;
FIG. 4 is a side view of the design shown in FIG. 1;
FIG. 5 is a cross-sectional view of the design shown in FIG. 1 taken along line 5-5 in FIG. 3; and,
FIG. 6 is a cross-sectional view of the design shown in FIG. 1 taken along line 6-6 in FIG. 3.

The ornamental design which is claimed is shown in solid lines in the drawings.

The broken lines in the drawings show portions of the sink that form no part of the claimed design. Broken lines formed by equal length dashes (i.e., dash-dash) show unclaimed portions of the design.

1 Claim, 4 Drawing Sheets



(56)

References Cited

U.S. PATENT DOCUMENTS

D745,124 S * 12/2015 Schonherr D23/293.1
D814,614 S * 4/2018 Moller D23/292
D832,410 S * 10/2018 Corpuz D23/293.1

OTHER PUBLICATIONS

Kohler Veil pedestal bathroom sink [Apr. 5, 2019] found online
[Apr. 5, 2019]—<https://www.us.kohler.com/us/veil-pedestal-lavatory-no-overflow/productDetail/bathroom-sinks/1348354.htm?skuId=1348303&brandId=1383045>.*

Kohler Fixture 2016 Price Book, pp. 255-263 and 271-311.

* cited by examiner

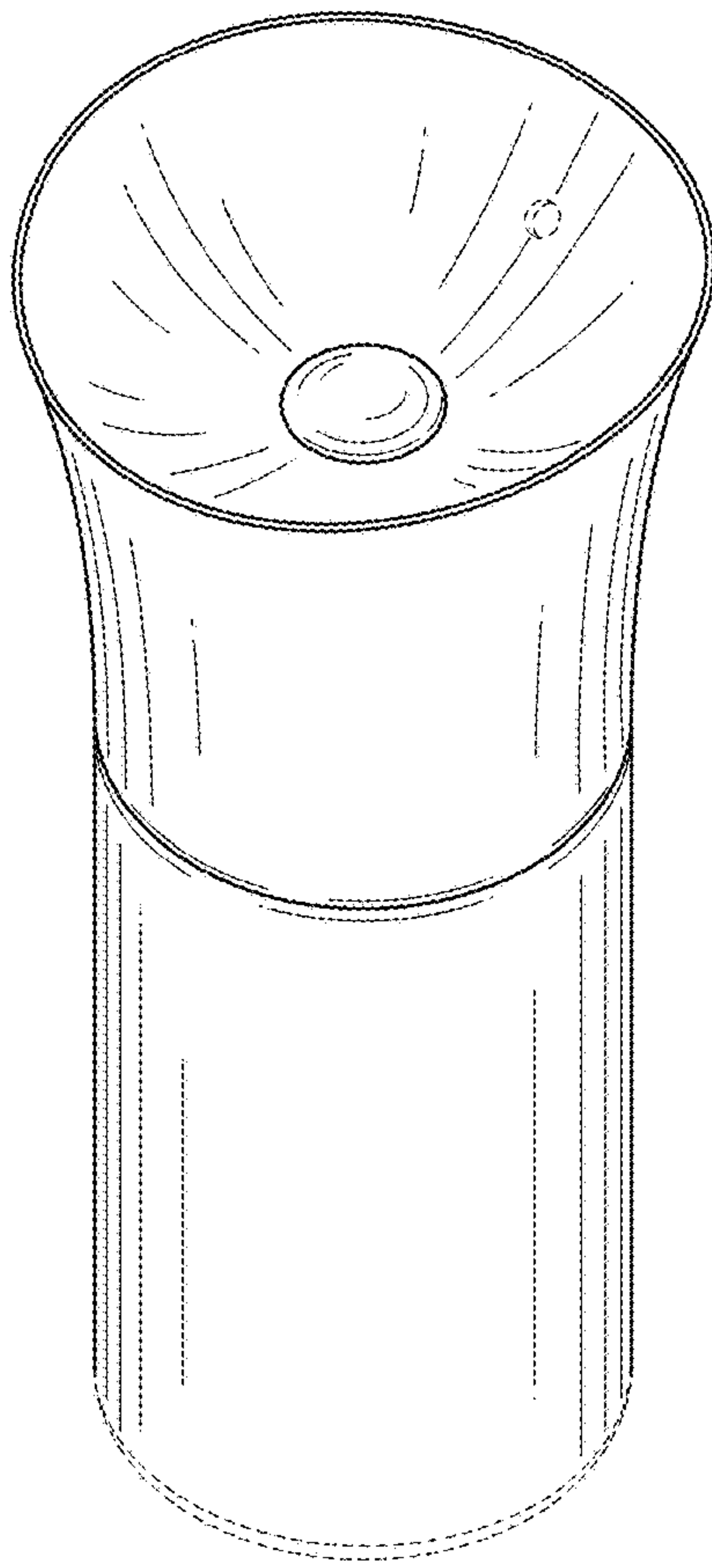


FIG. 1

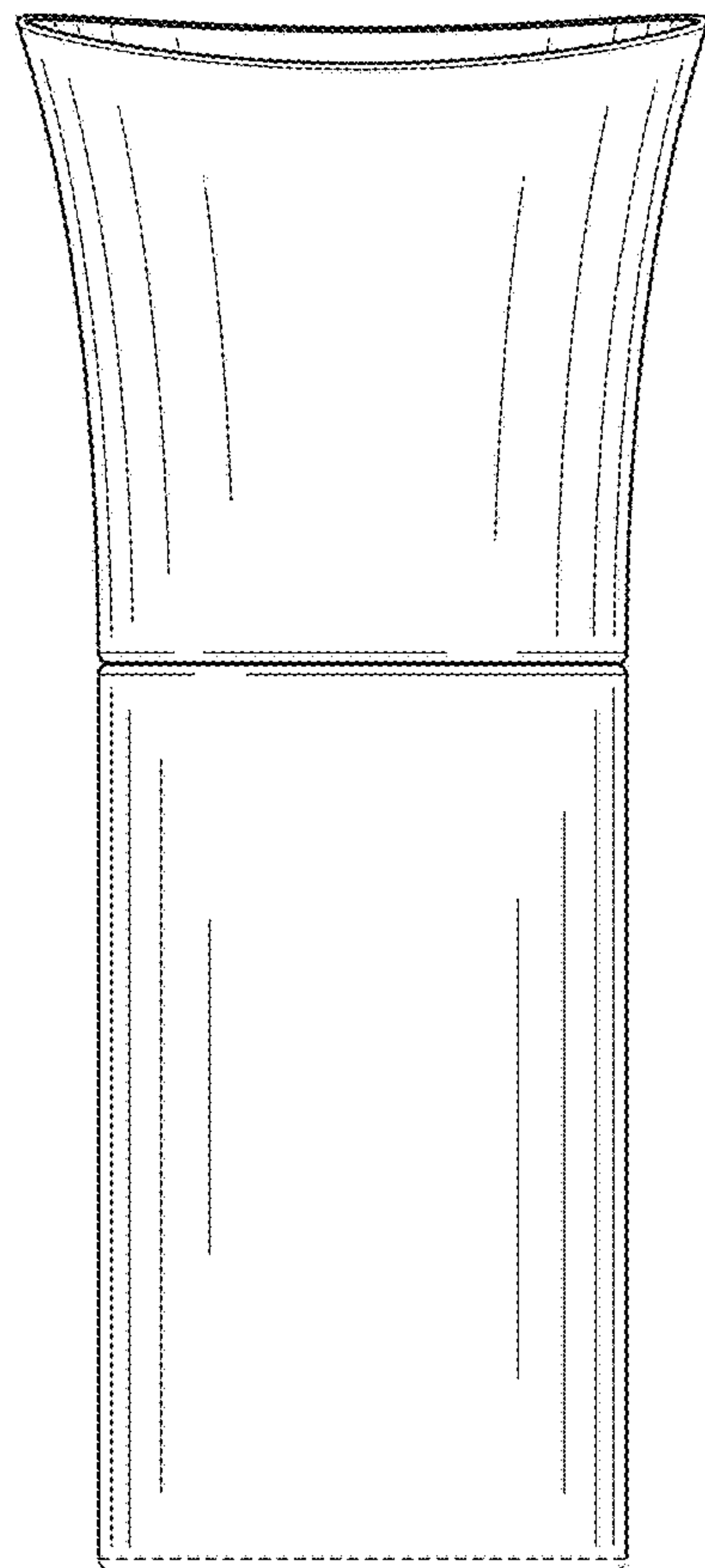


FIG. 2

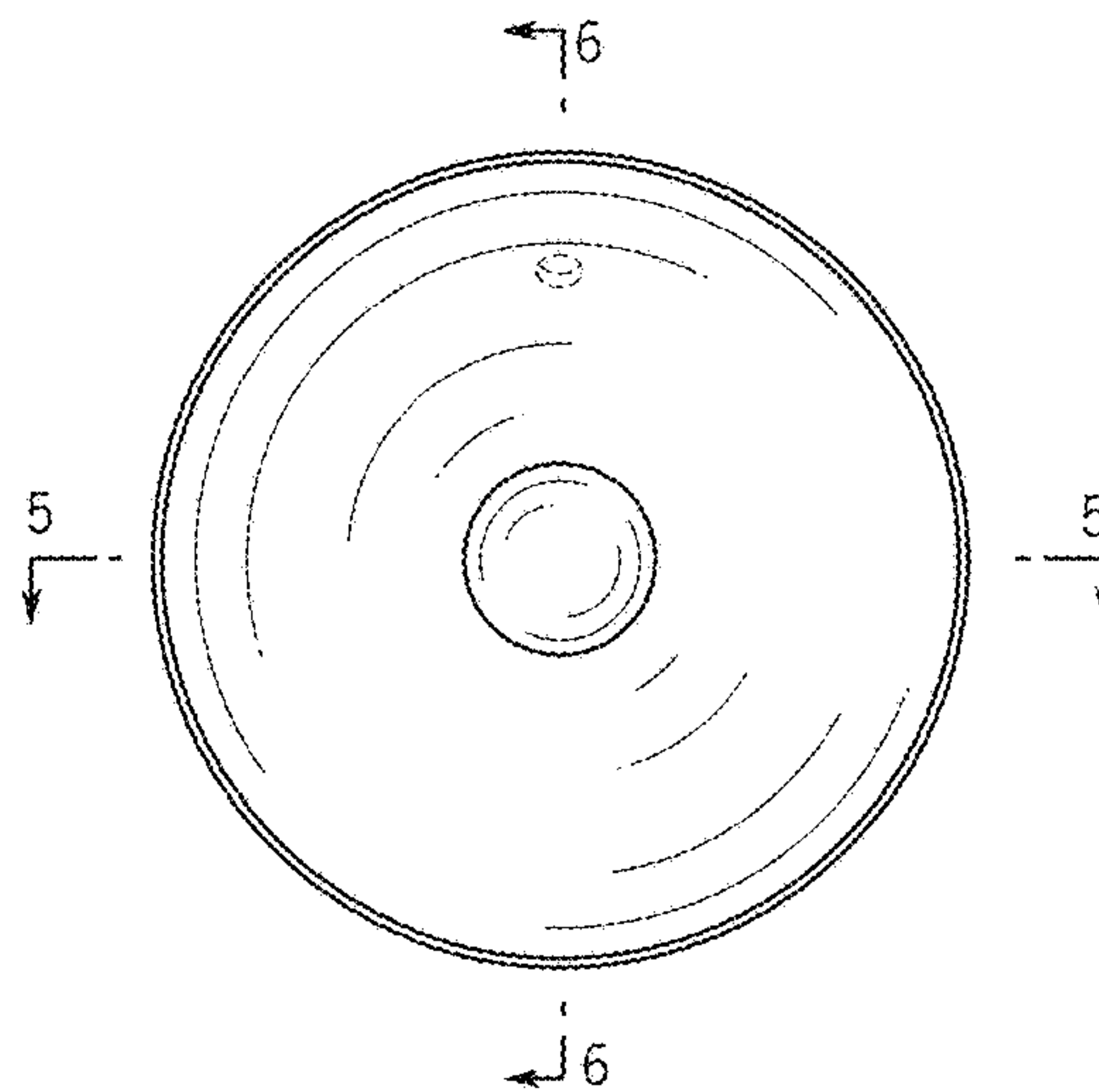


FIG. 3

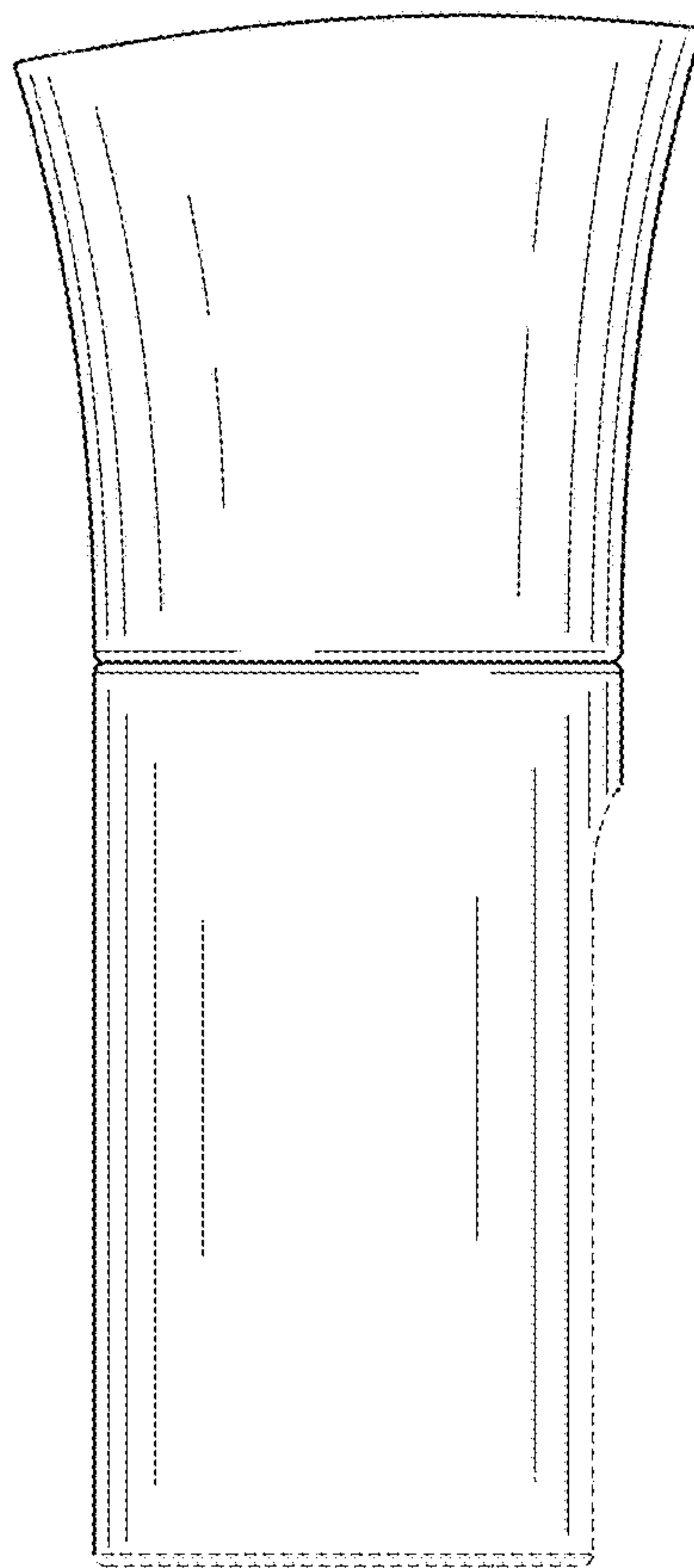


FIG. 4

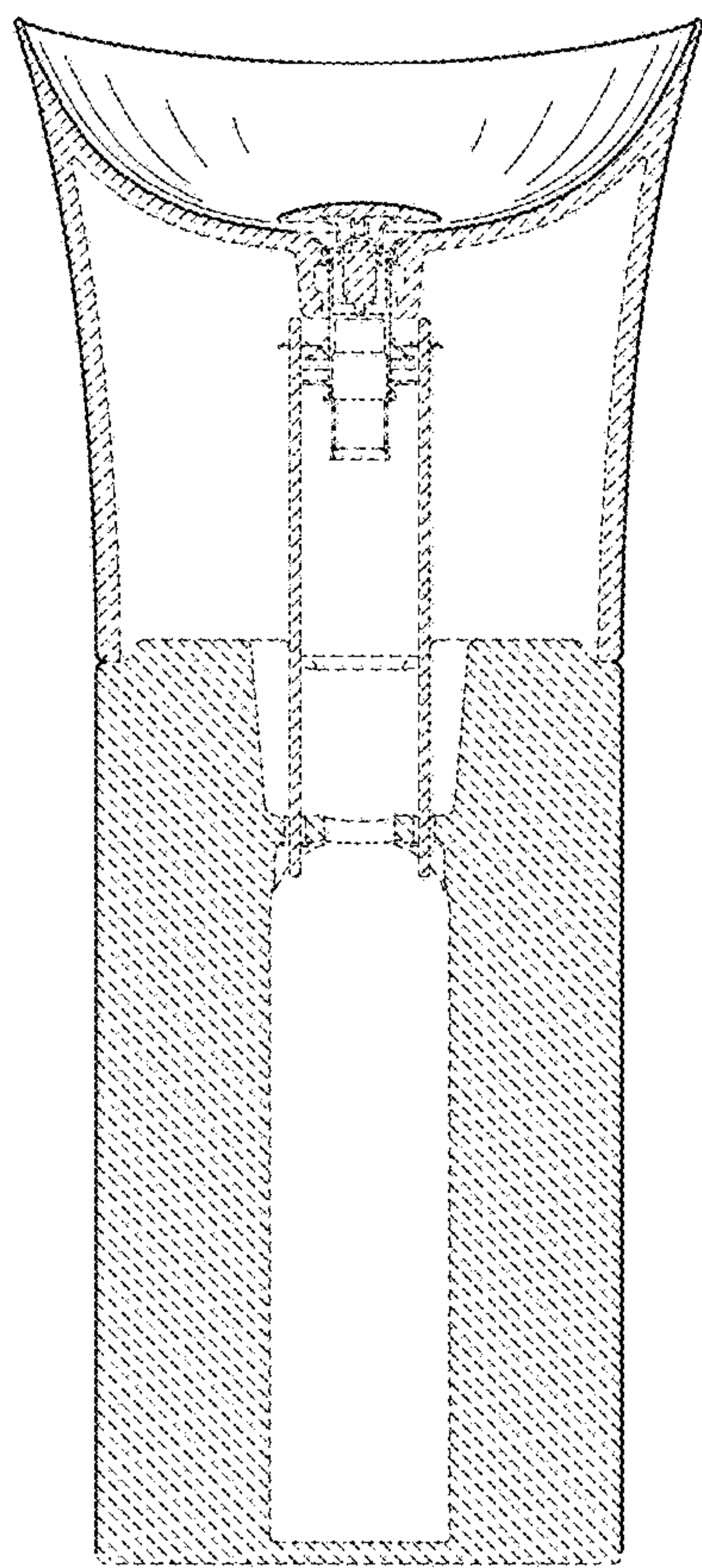


FIG. 5

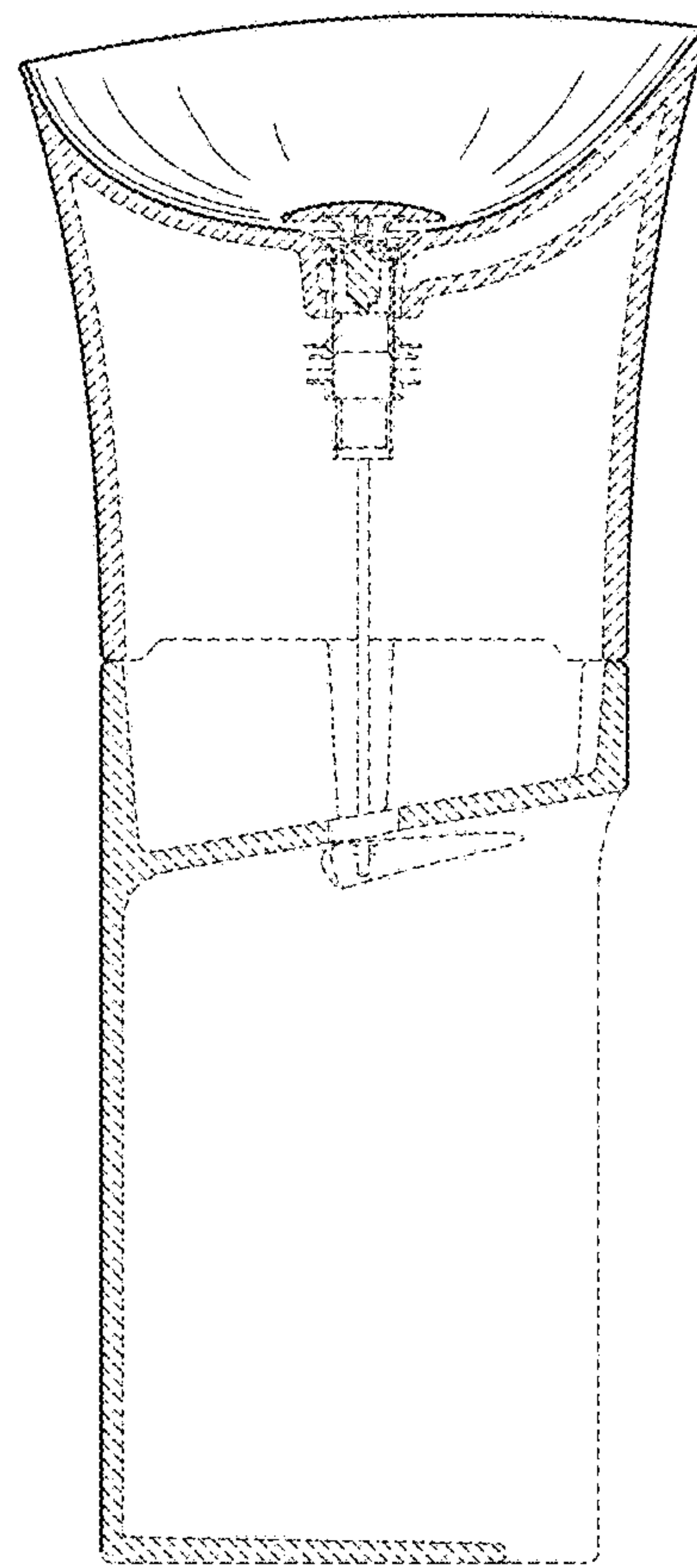


FIG. 6