

US00D860410S

(12) **United States Design Patent** (10) **Patent No.:** **US D860,410 S**
Starck et al. (45) **Date of Patent:** **** Sep. 17, 2019**

(54) **BATH TUB**

(71) Applicant: **Duravit Aktiengesellschaft**, Hornberg (DE)

(72) Inventors: **Philippe Starck**, Paris (FR); **Martin Bergmann**, Vienna (AT)

(73) Assignee: **Duravit Aktiengesellschaft**, Hornberg (DE)

(**) Term: **15 Years**

(21) Appl. No.: **29/589,254**

(22) Filed: **Dec. 29, 2016**

Related U.S. Application Data

(62) Division of application No. 35/500,054, filed on Jun. 24, 2015 (U.S. filing date under 35 U.S.C. 384), and having an international filing date of Jun. 24, 2015, now Pat. No. Des. 794,168.

(30) **Foreign Application Priority Data**

Mar. 2, 2015 (WO) DM086379

(51) **LOC (12) Cl.** **23-01**

(52) **U.S. Cl.**
USPC **D23/277**

(58) **Field of Classification Search**
USPC D23/277, 280.1–280.4, 303–306
CPC A47K 3/00; A47K 4/00
See application file for complete search history.

(56) **References Cited**

U.S. PATENT DOCUMENTS

D230,651 S *	3/1974	Grube	D21/815
D261,303 S *	10/1981	Haller	D21/815
D321,244 S *	10/1991	Delepine	D23/280.1
D321,245 S *	10/1991	Delepine	D23/280.1
D334,231 S *	3/1993	Kohler, Jr.	D23/280.1
D446,845 S *	8/2001	Jacuzzi	D23/277
D499,466 S *	12/2004	Jacuzzi	D23/277
D524,428 S *	7/2006	Lanius	D23/277

* cited by examiner

Primary Examiner — Keli L Hill

(74) *Attorney, Agent, or Firm* — Florek & Endres PLLC

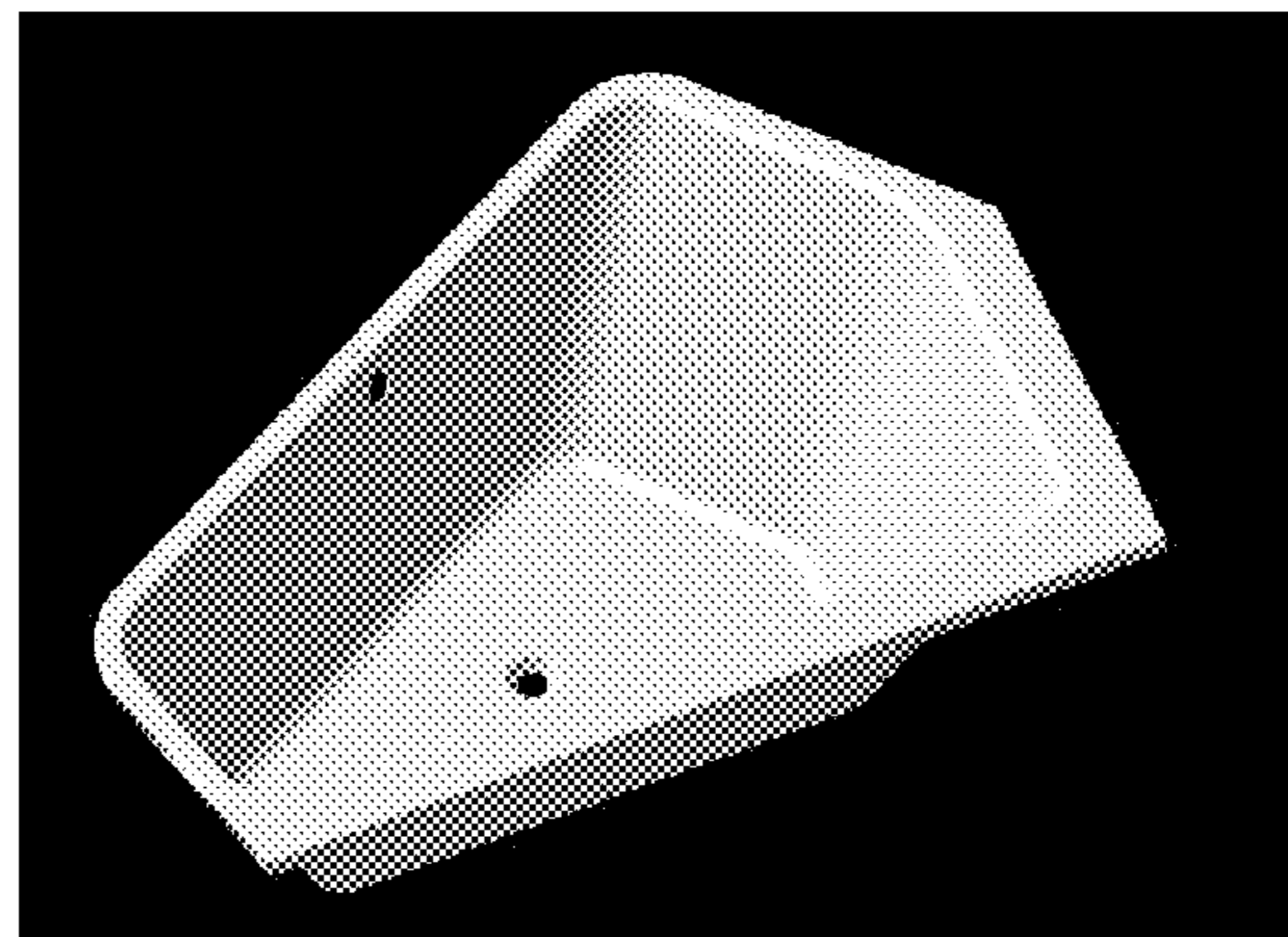
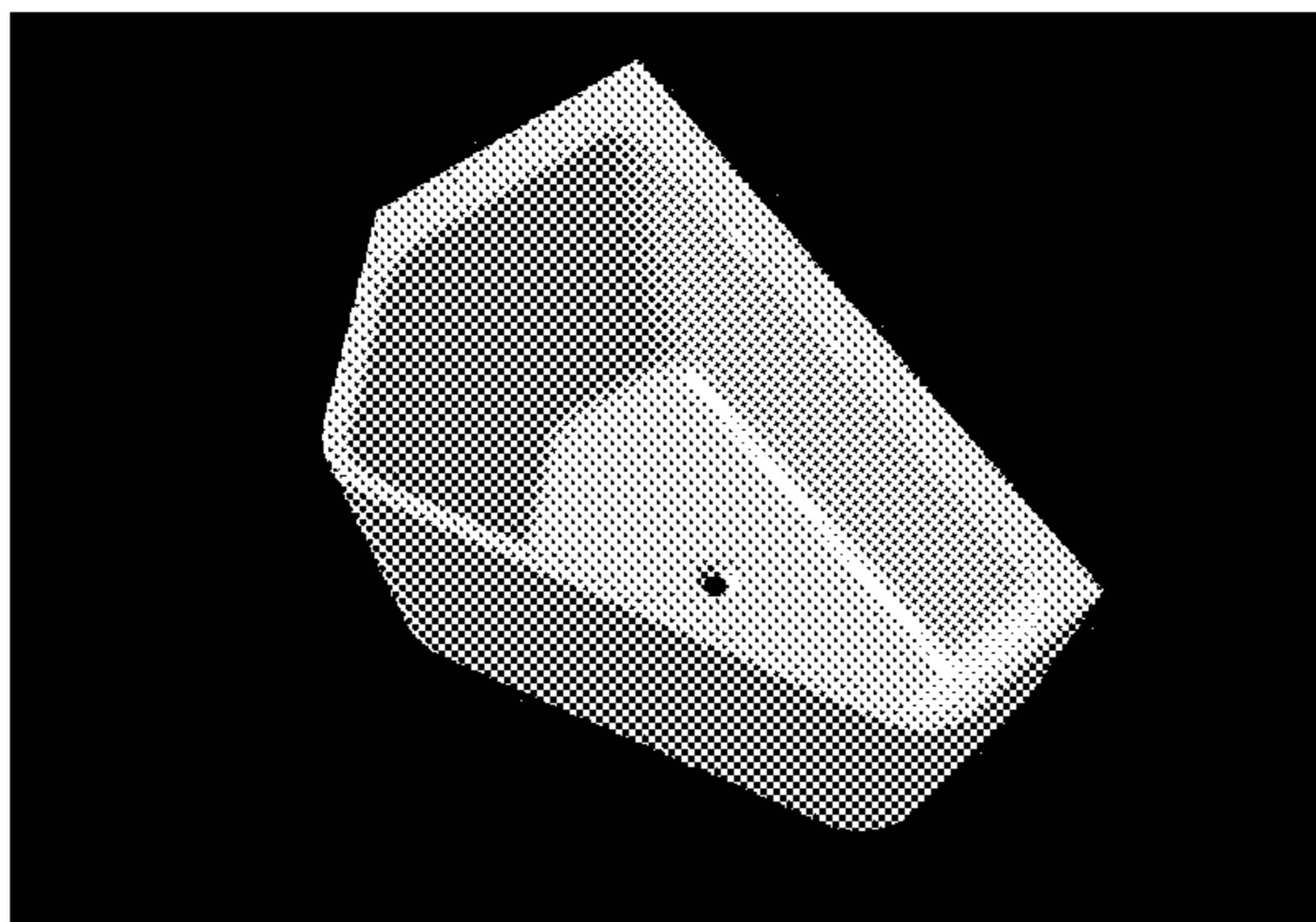
(57) **CLAIM**

We claim the ornamental design for a bath tub, as shown and described.

DESCRIPTION

FIG. 1 is a front elevation view of a first embodiment of a bath tub, of the present design;
FIG. 2 is a rear, top perspective view thereof;
FIG. 3 is a top plan view thereof;
FIG. 4 is a front, top perspective view thereof;
FIG. 5 is a rear elevation view thereof;
FIG. 6 is a left side elevation view thereof;
FIG. 7 is a right, top perspective view of a second embodiment of a bath tub, of the present design;
FIG. 8 is a left, top perspective view thereof;
FIG. 9 is a left side elevation view thereof;
FIG. 10 is a front, elevation view thereof;
FIG. 11 is a rear elevation view thereof; and,
FIG. 12 is a top plan view thereof.

1 Claim, 12 Drawing Sheets



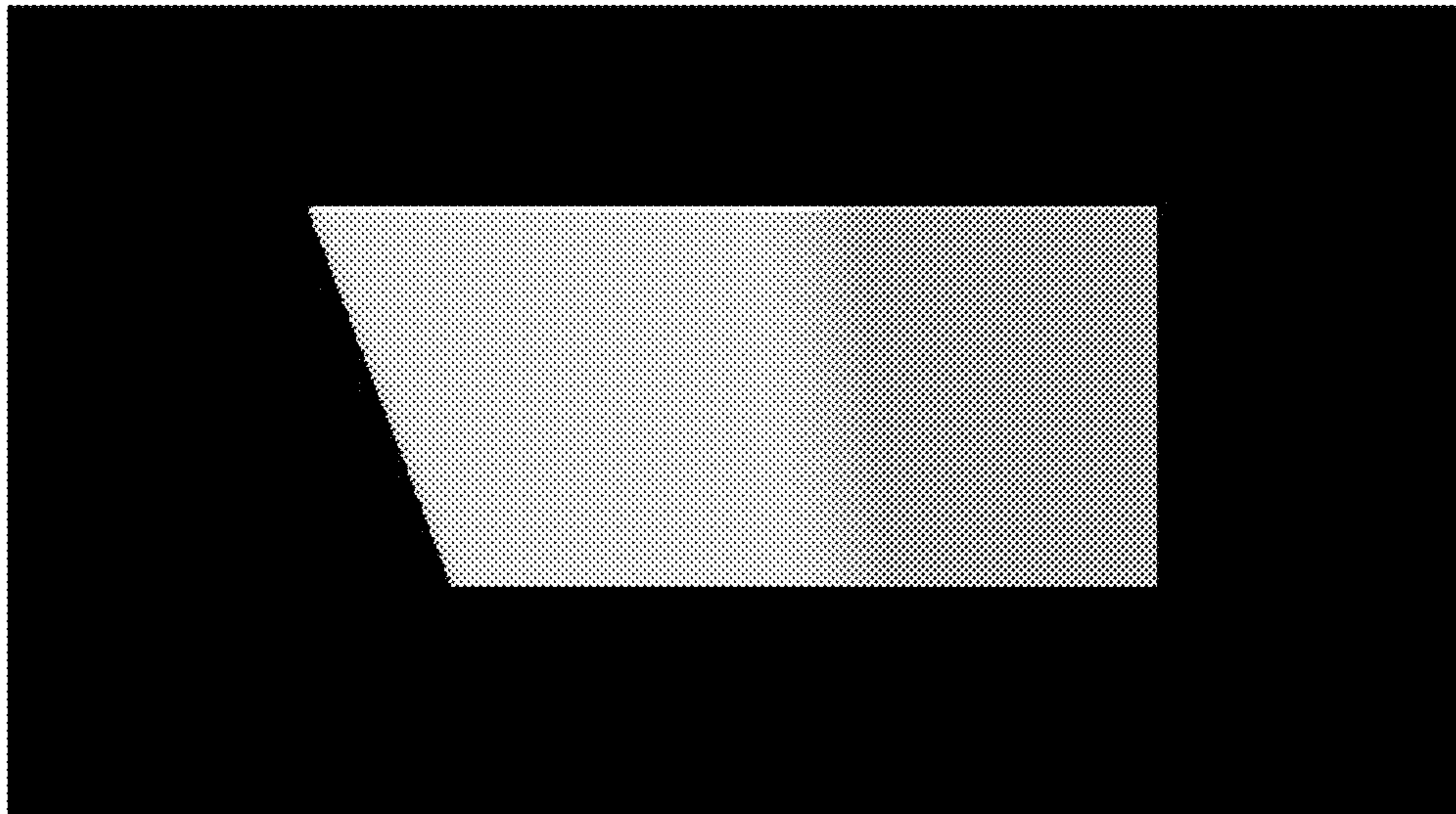


FIG. 1

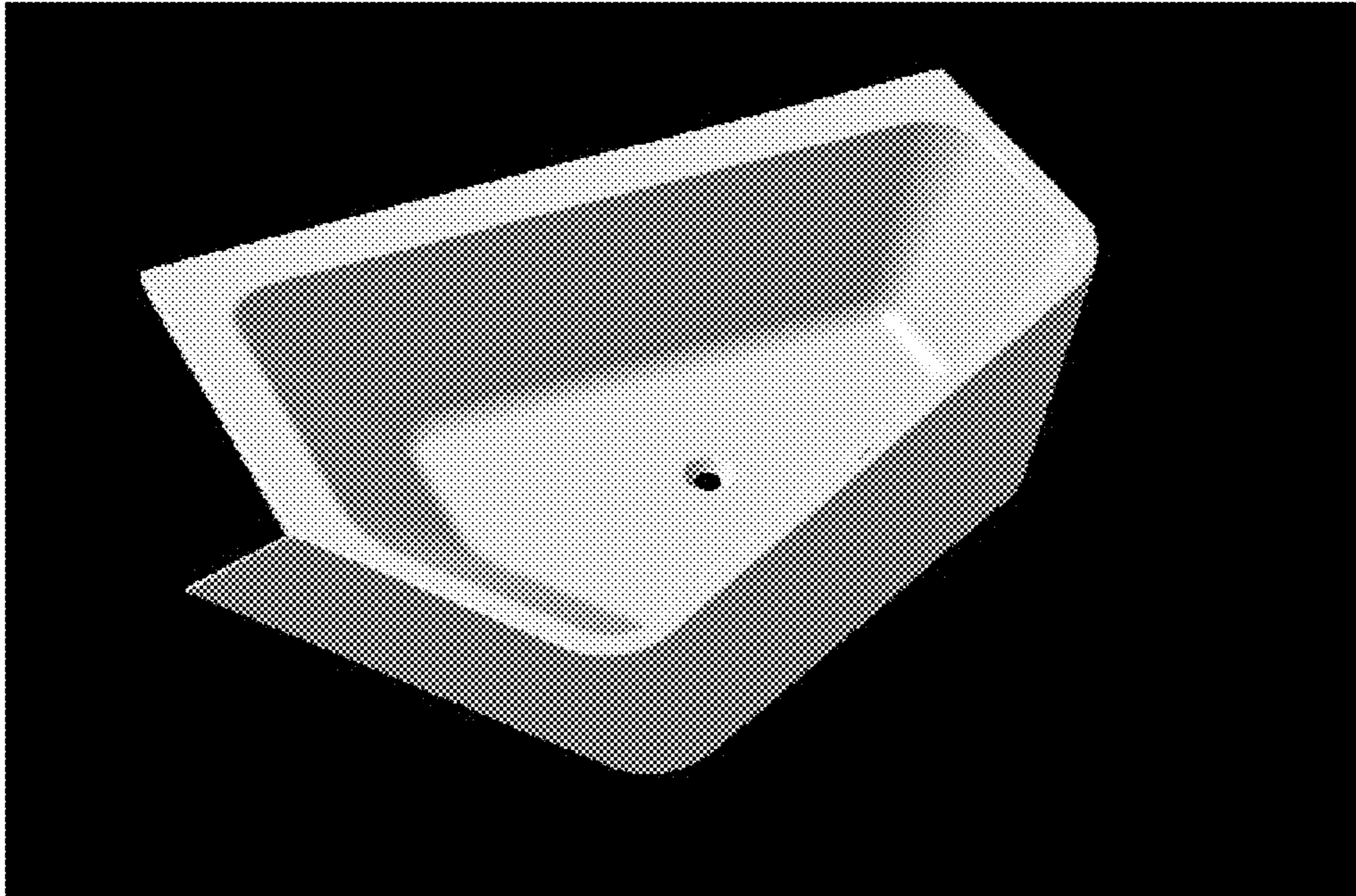


FIG. 2

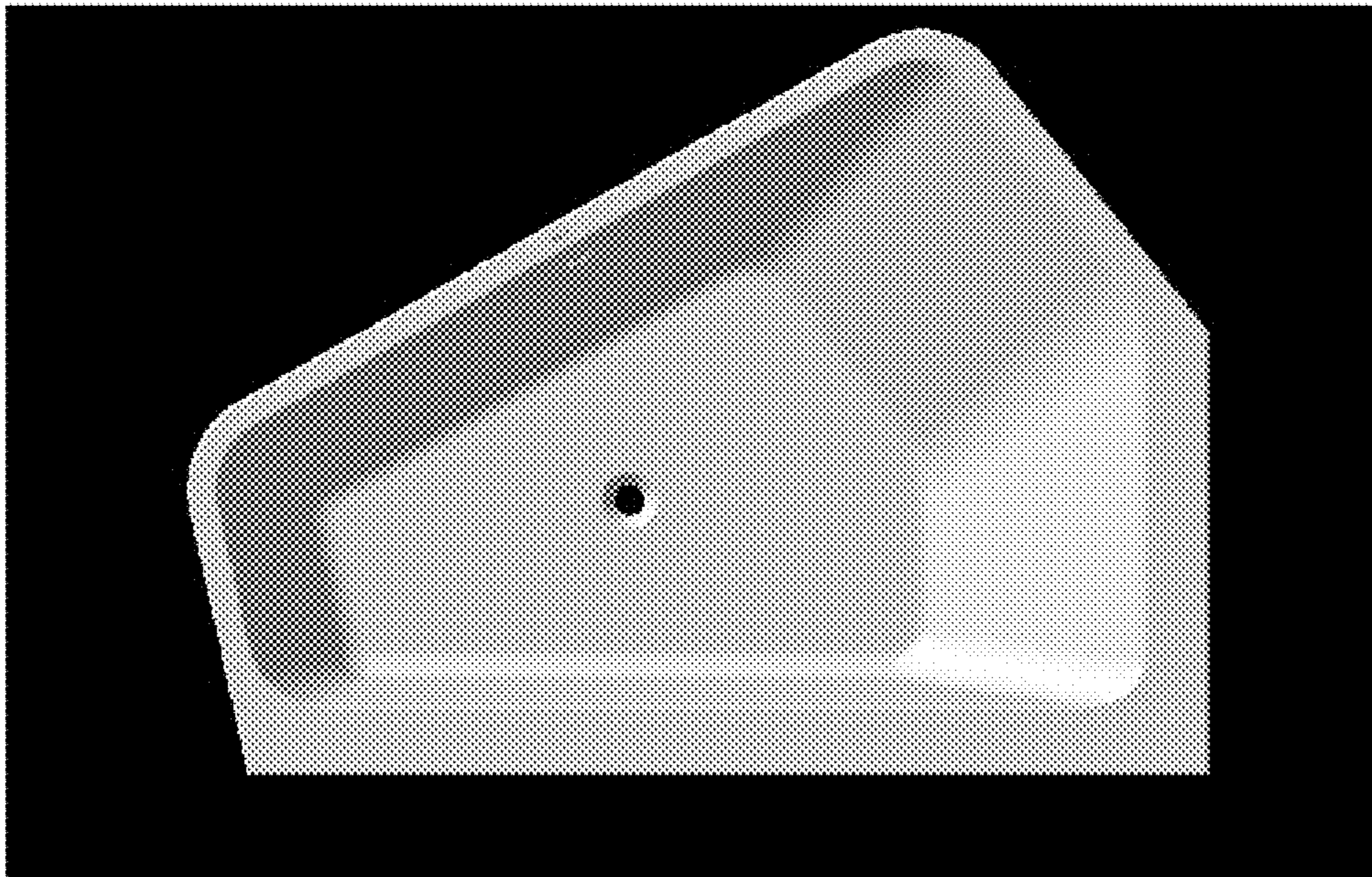


FIG. 3

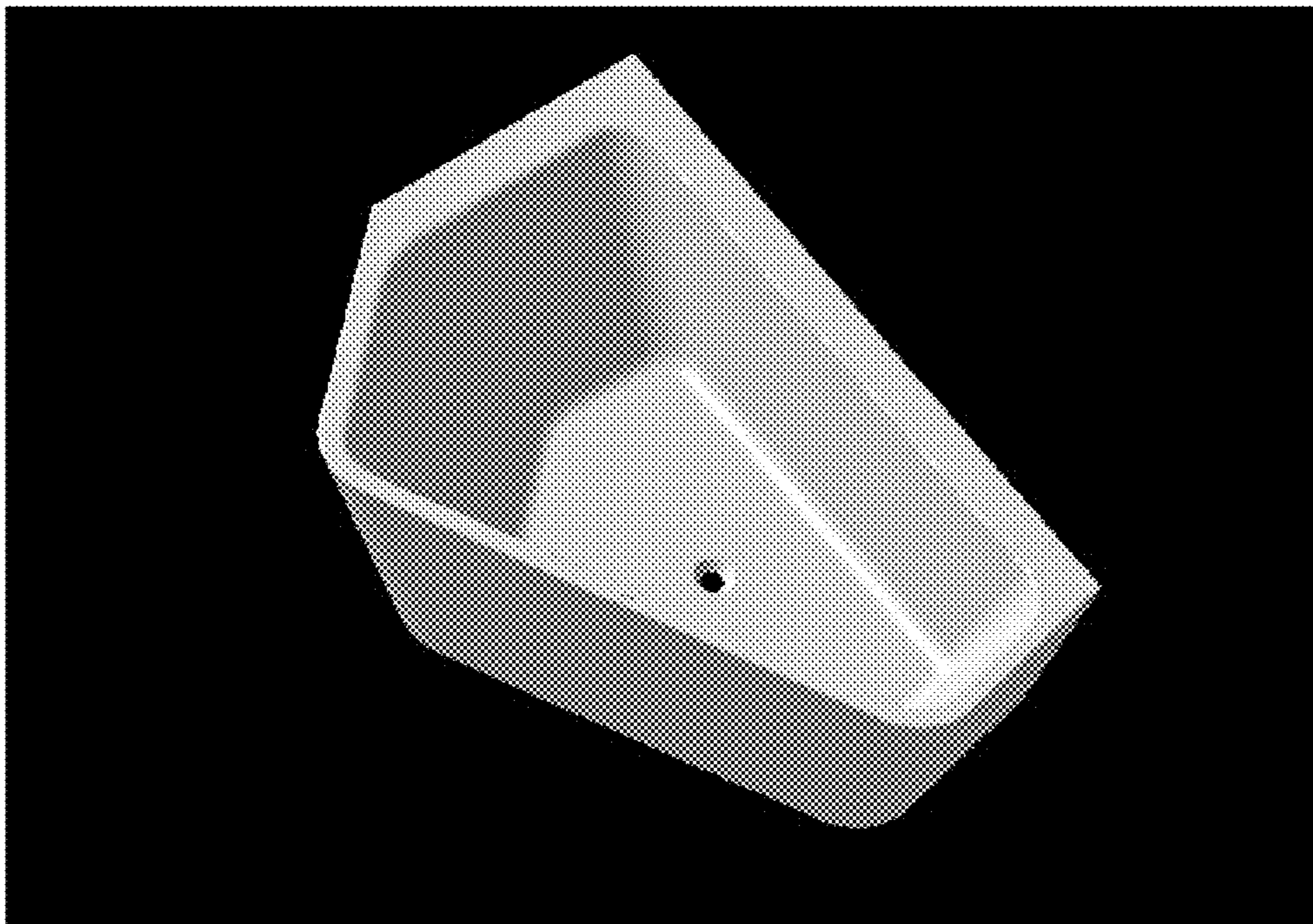


FIG. 4

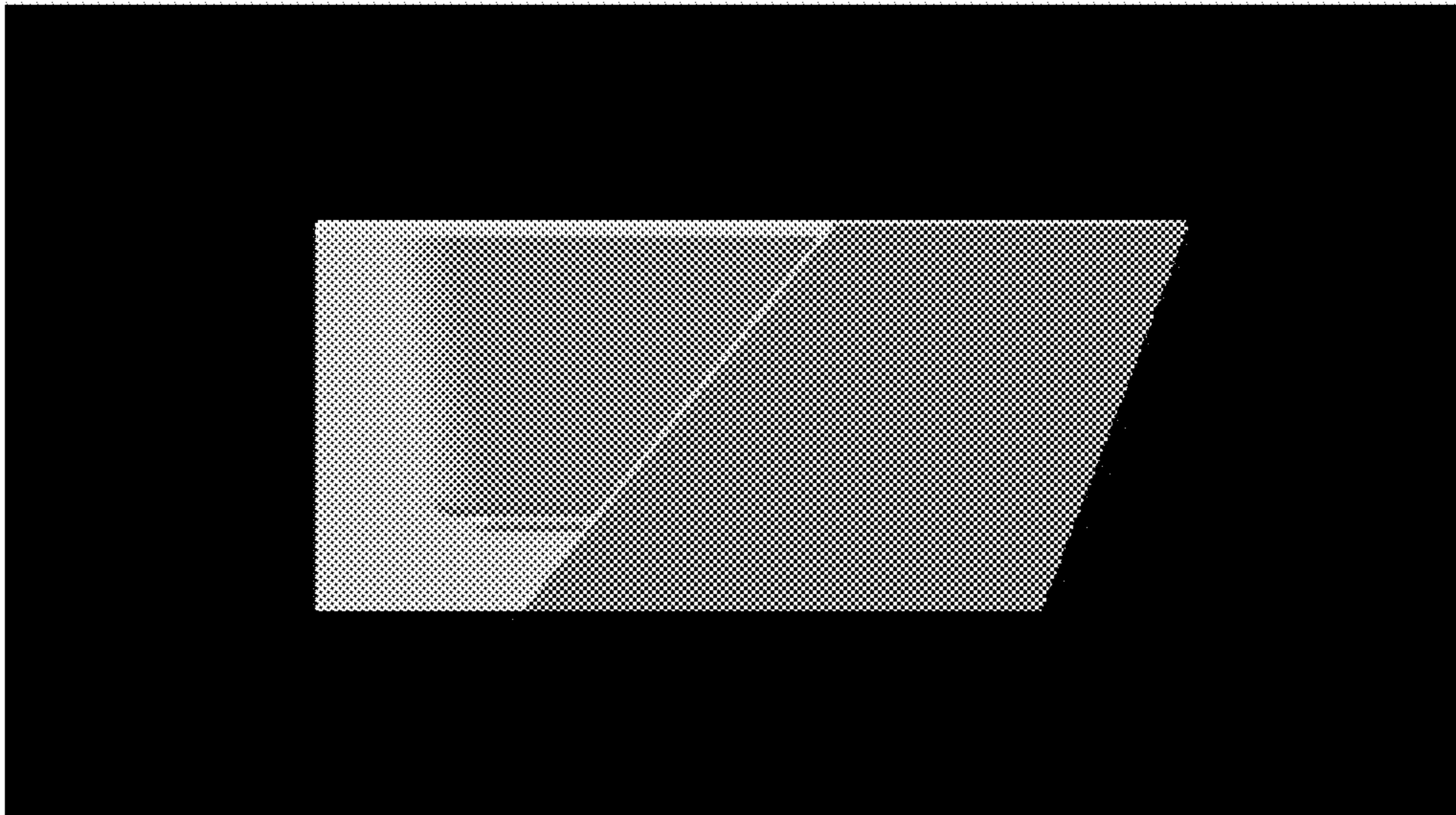


FIG. 5

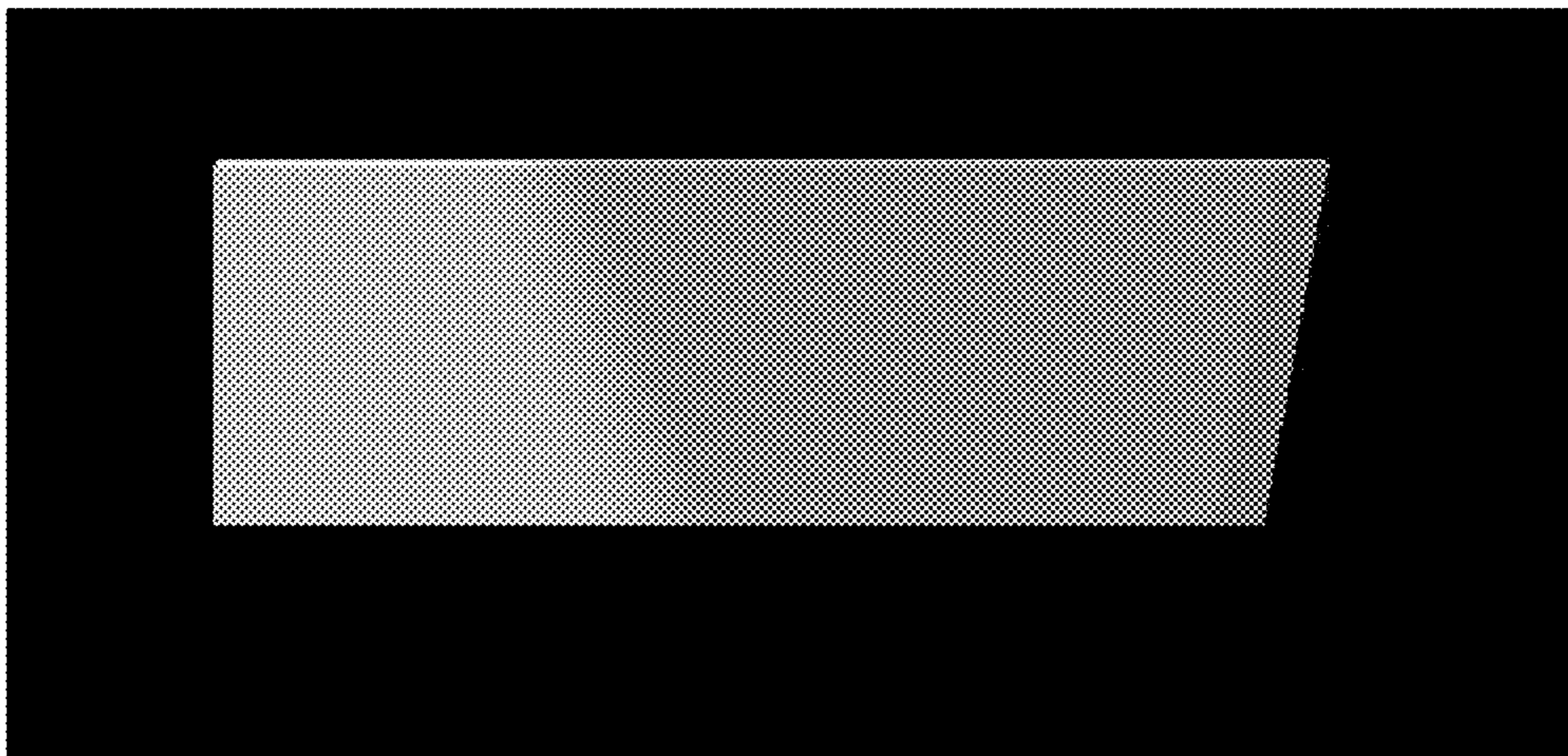


FIG. 6

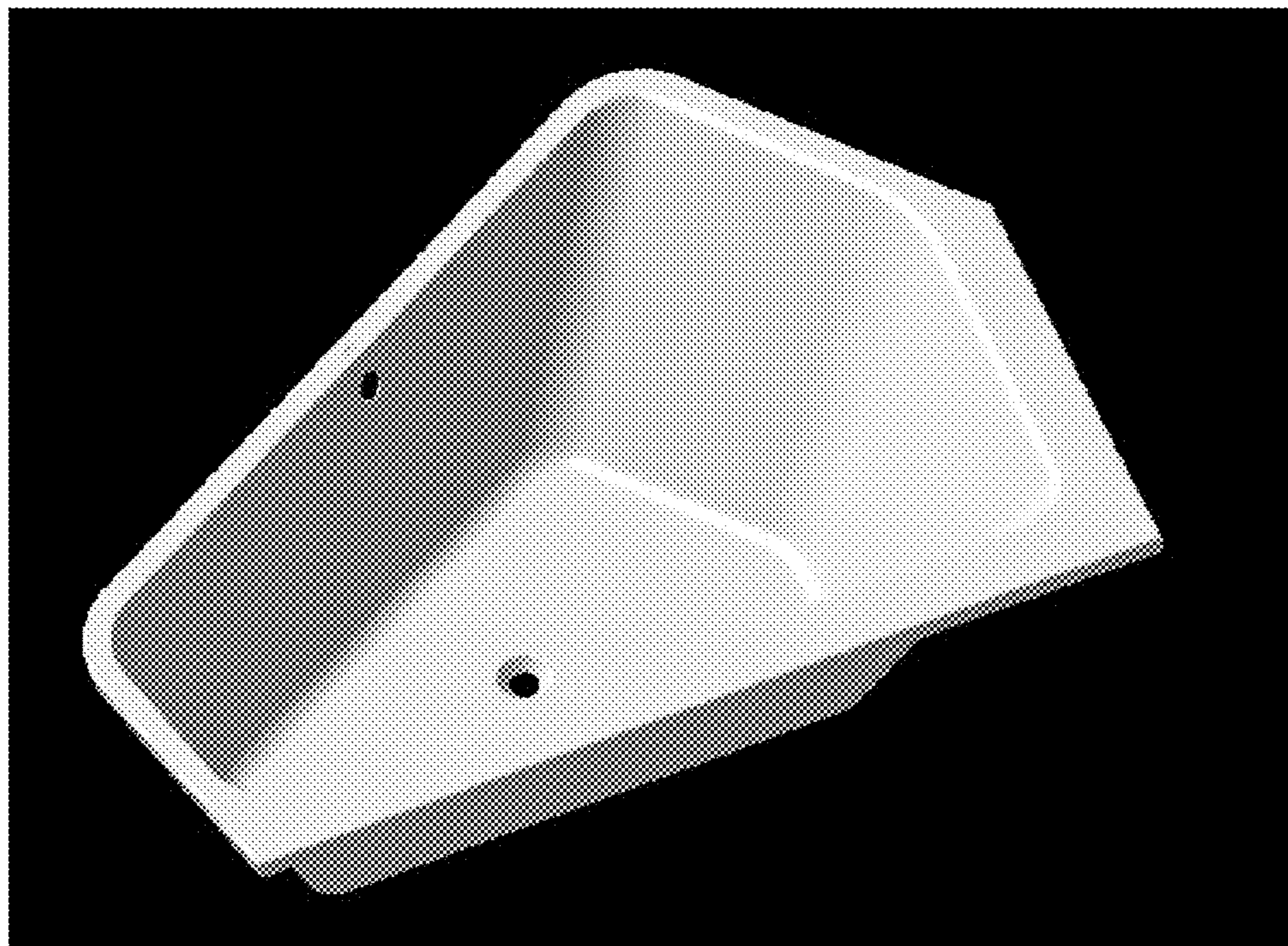


FIG. 7

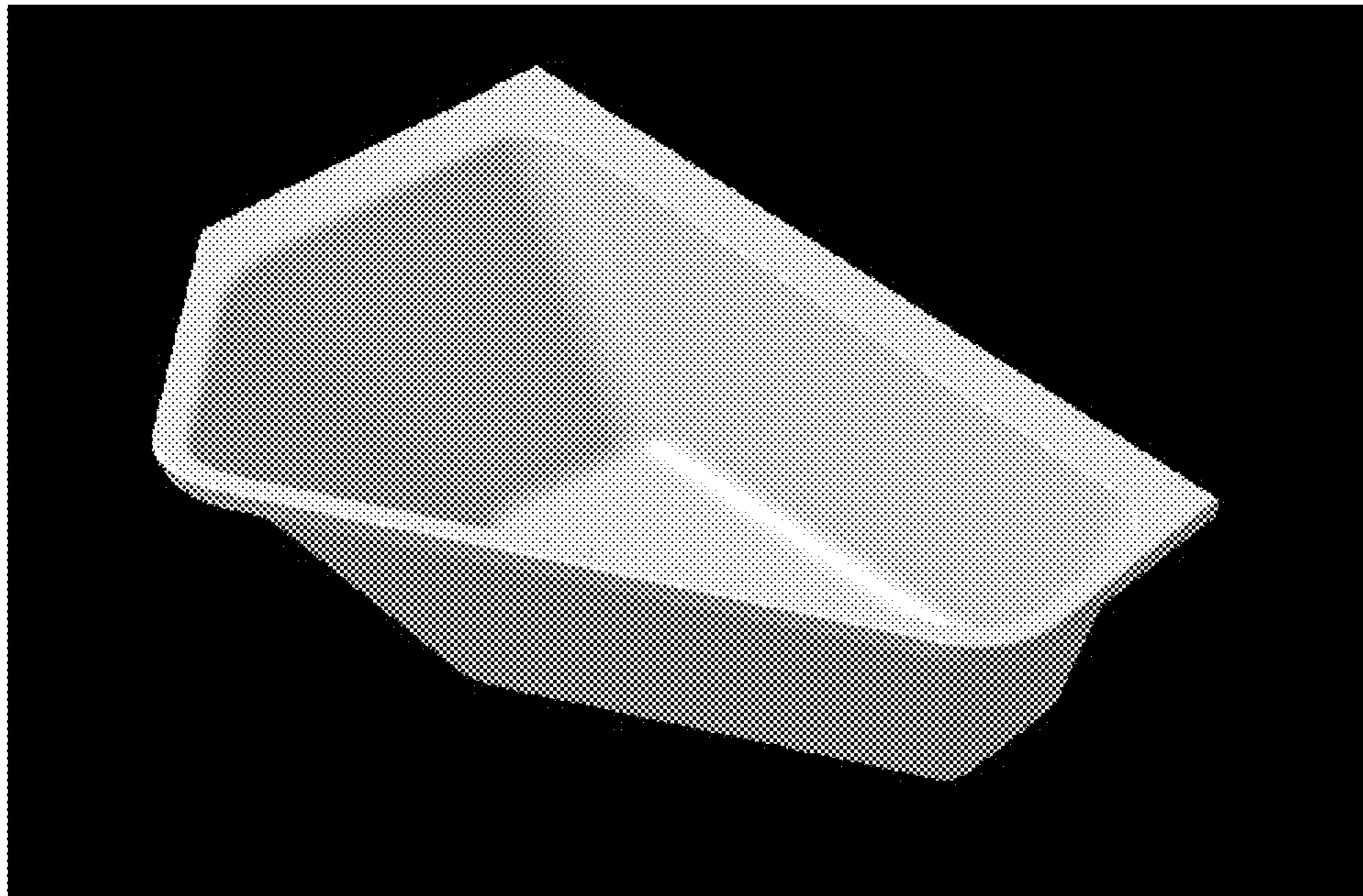


FIG. 8

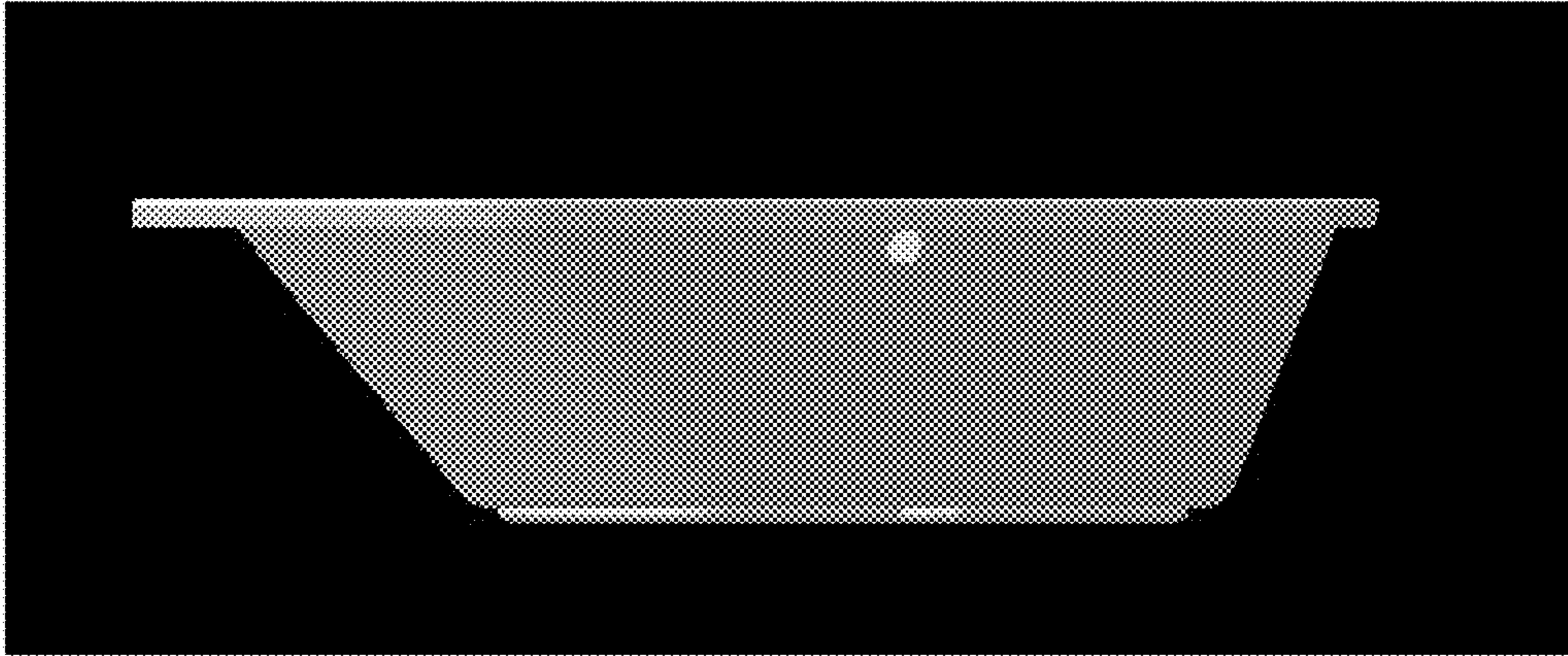


FIG. 9

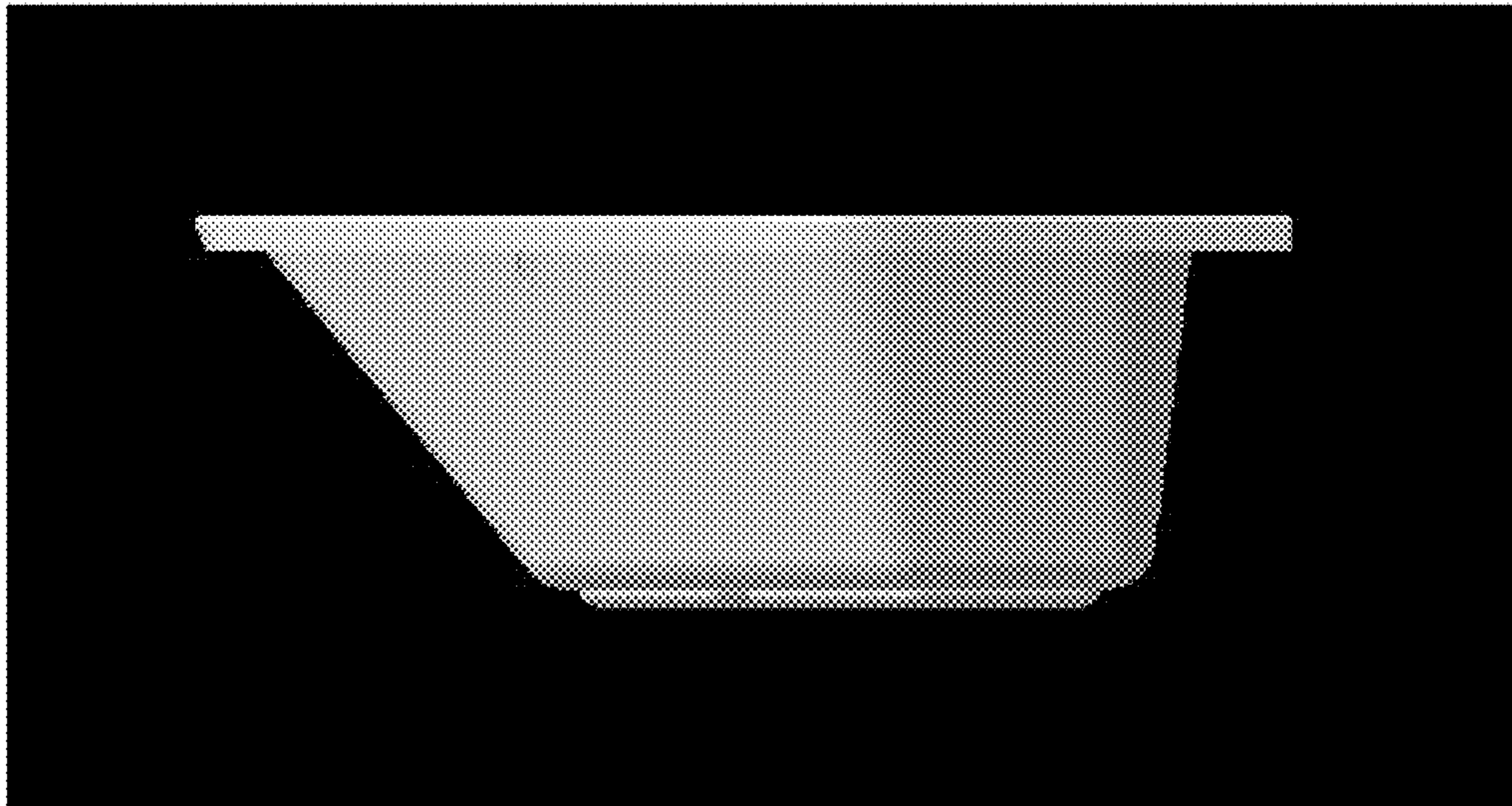


FIG. 10

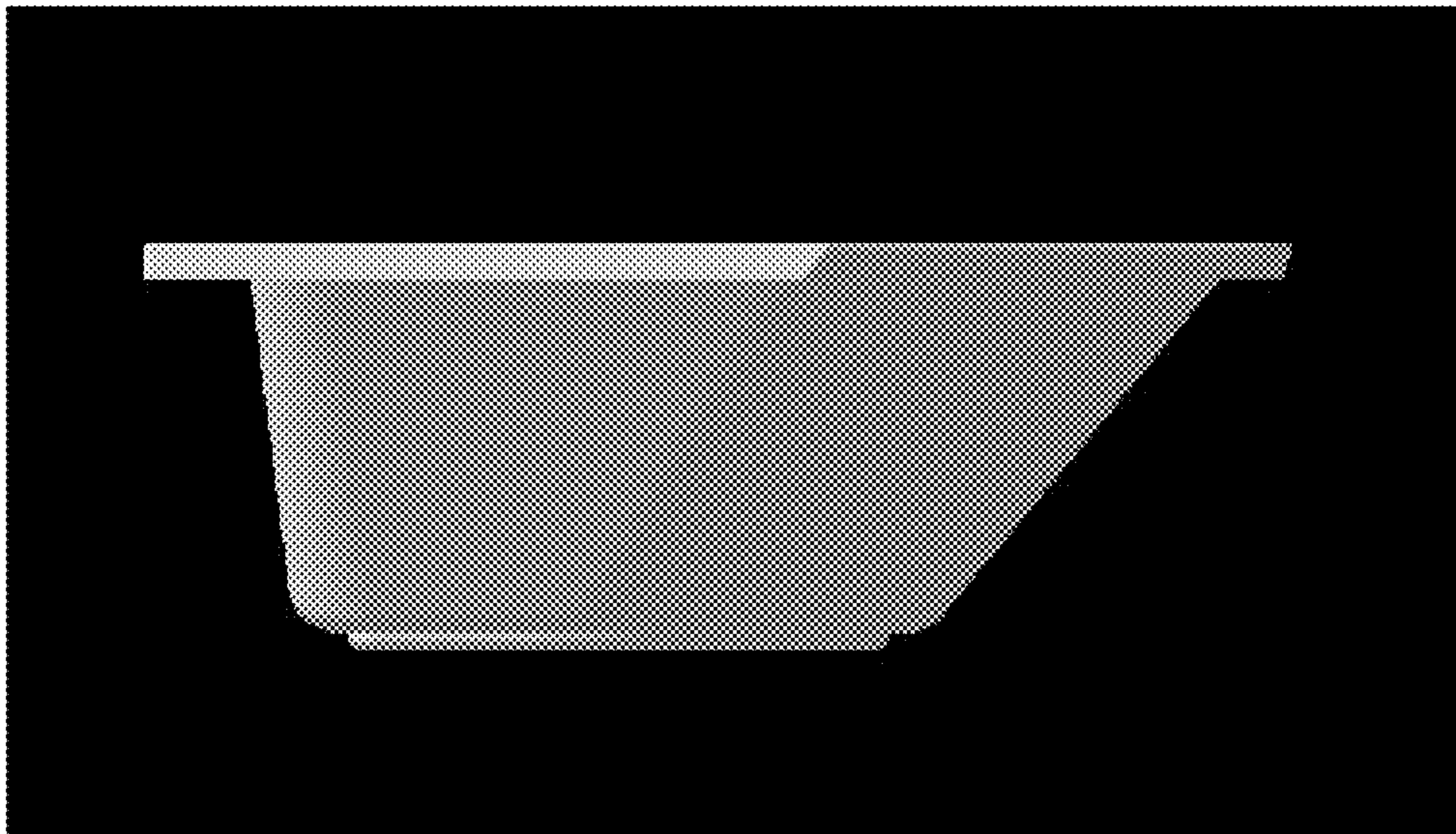


FIG. 11

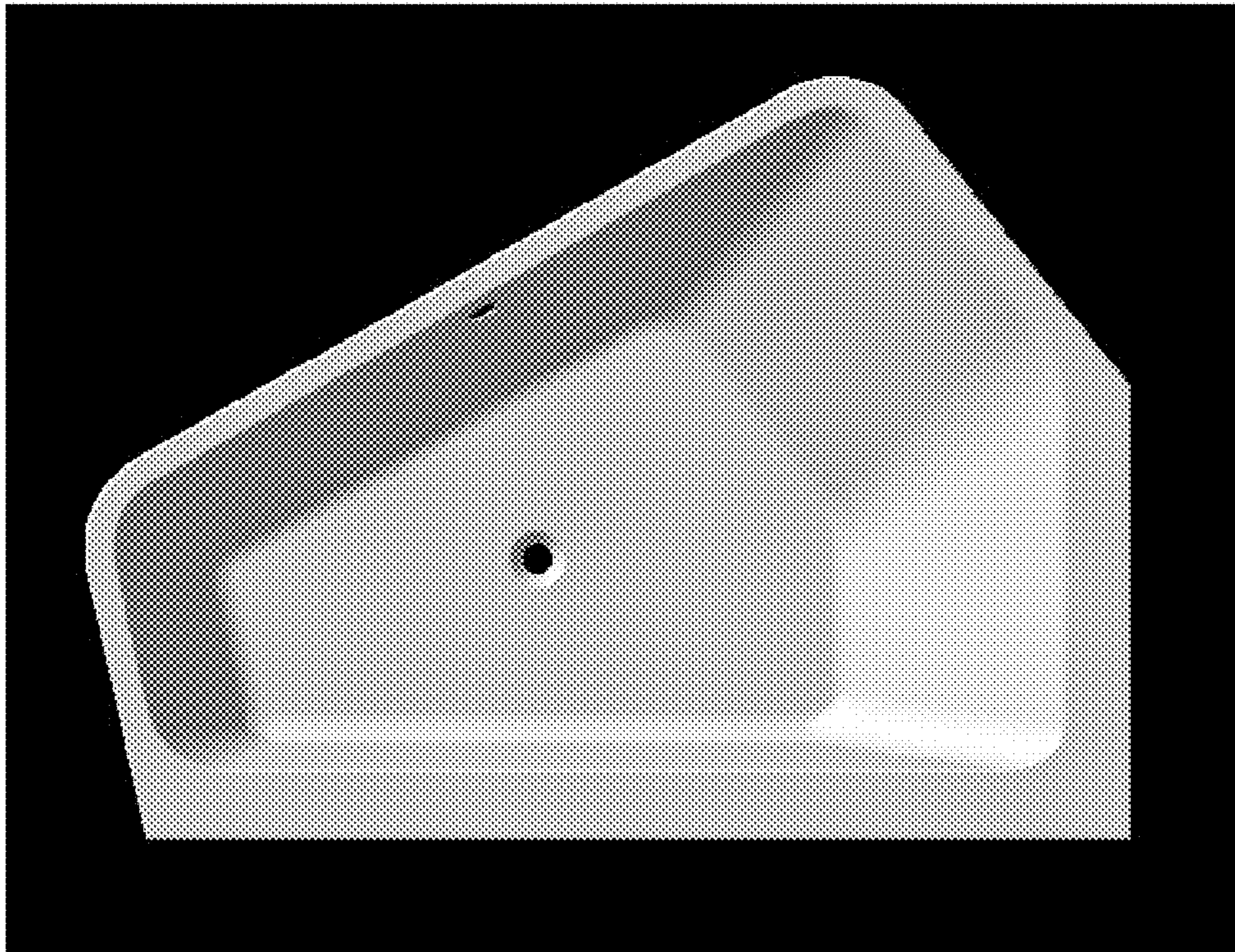


FIG. 12