



US00D860409S

(12) **United States Design Patent** (10) **Patent No.:** **US D860,409 S**
Chen (45) **Date of Patent:** **** Sep. 17, 2019**

(54) **FAUCET**
(71) Applicant: **Hui Chen**, Wenzhou (CN)
(72) Inventor: **Hui Chen**, Wenzhou (CN)
(**) Term: **15 Years**
(21) Appl. No.: **29/645,770**
(22) Filed: **Apr. 29, 2018**
(51) **LOC (12) Cl.** **23-01**
(52) **U.S. Cl.**
USPC **D23/255**
(58) **Field of Classification Search**
USPC D23/238-243, 249, 255, 257
CPC E03C 1/04; E03C 1/0401; E03C 1/0402;
E03C 1/0404; Y10T 137/9464
See application file for complete search history.

(56) **References Cited**
U.S. PATENT DOCUMENTS
D678,985 S * 3/2013 Berger D23/255
D680,195 S * 4/2013 Lord D23/255
D718,427 S * 11/2014 Fritz D23/257
D790,667 S * 6/2017 Schaubach D23/252
D790,670 S * 6/2017 Downey D23/255

OTHER PUBLICATIONS
BWE Waterfall Bathroom Sink Faucet, Amazon, First Available Sep. 29, 2017, [Visited Online Mar. 21, 2019] https://www.amazon.com/BWE-Waterfall-Widespread-Commercial-Bathroom/dp/B07CZCV9HD/ref=sr_1_20?crd=2HKW3Q2WDTNOX&keywords=waterfall+faucet&qid=1553184964&s=hi&sprefix=waterf%2Ctools%2C178&sr=1-20 (Year: 2017).*

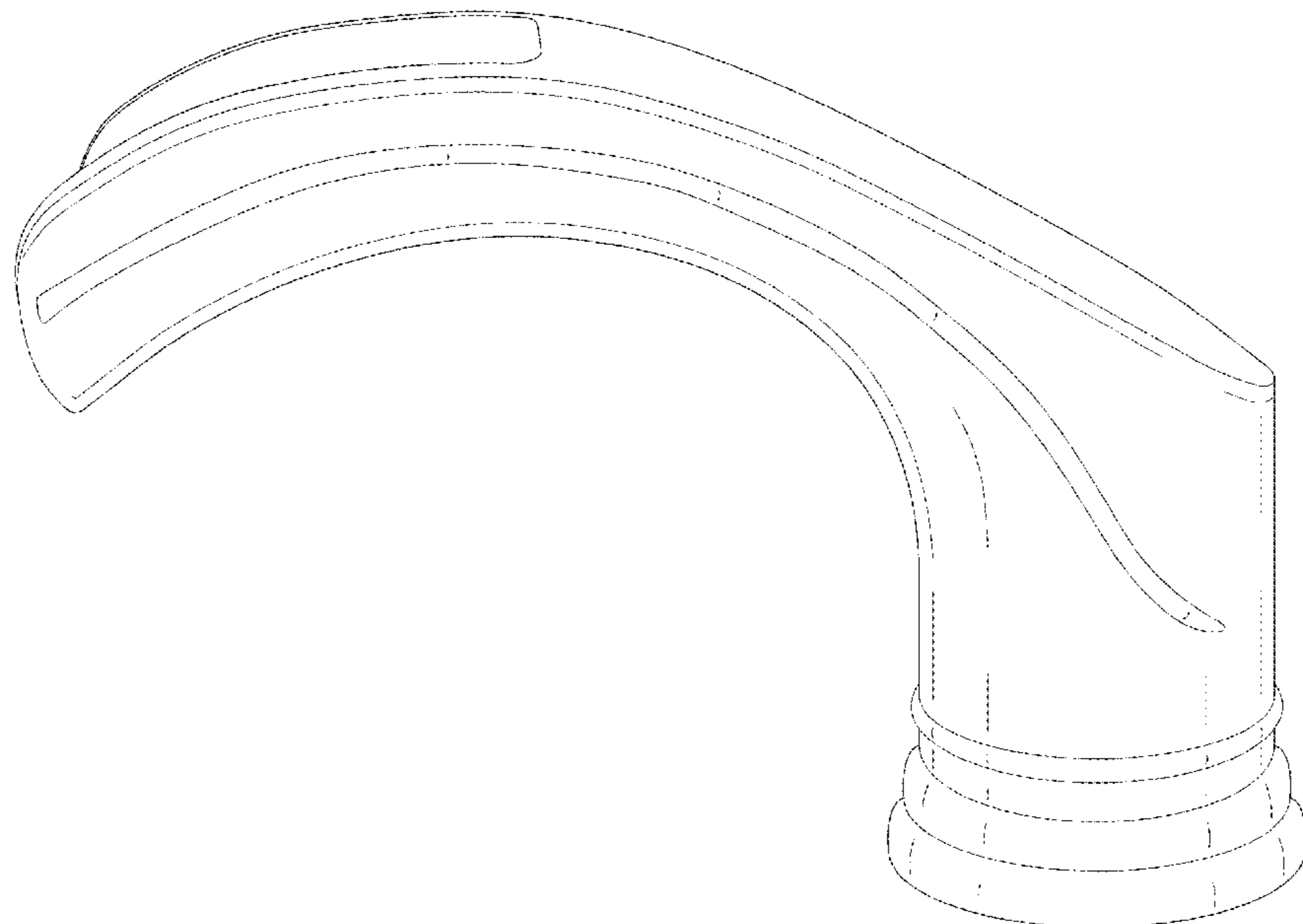
A-96562-N Waterfall 3 Hole 2 Handle Widespread Bathroom Faucet, Earliest review Mar. 7, 2019, [Visited Online May 15, 2019] <https://www.wayfair.com/home-improvement/pdp/dfi-waterfall-3-hole-2-handle-widespread-bathroom-faucet-ifd11007.html?piid=36647563>.*
BWE Waterfall Single Handle Bathroom Sink Faucet Oil Rubbed Bronze Deck Mount Lavatory Commercial , Date First Available Dec. 7, 2016, [Visited Online May 15, 2019] <https://www.amazon.com/BWE-Waterfall-Bathroom-Lavatory-Commercial/dp/B06XWWJTY2>.*

* cited by examiner
Primary Examiner — Eric L Goodman
Assistant Examiner — Amy C Wierenga
(74) *Attorney, Agent, or Firm* — Raymond Y. Chan; David and Raymond Patent Firm

(57) **CLAIM**
The ornamental design for a faucet, as shown and described.

DESCRIPTION
FIG. 1 is a perspective view of the faucet showing my new design;
FIG. 2 is a right view thereof;
FIG. 3 is a left view thereof;
FIG. 4 is a front view thereof;
FIG. 5 is a rear view thereof;
FIG. 6 is a top view thereof; and,
FIG. 7 is a bottom view thereof.
The dashed broken lines depict portions of the faucet that form no part of the claim.

1 Claim, 7 Drawing Sheets



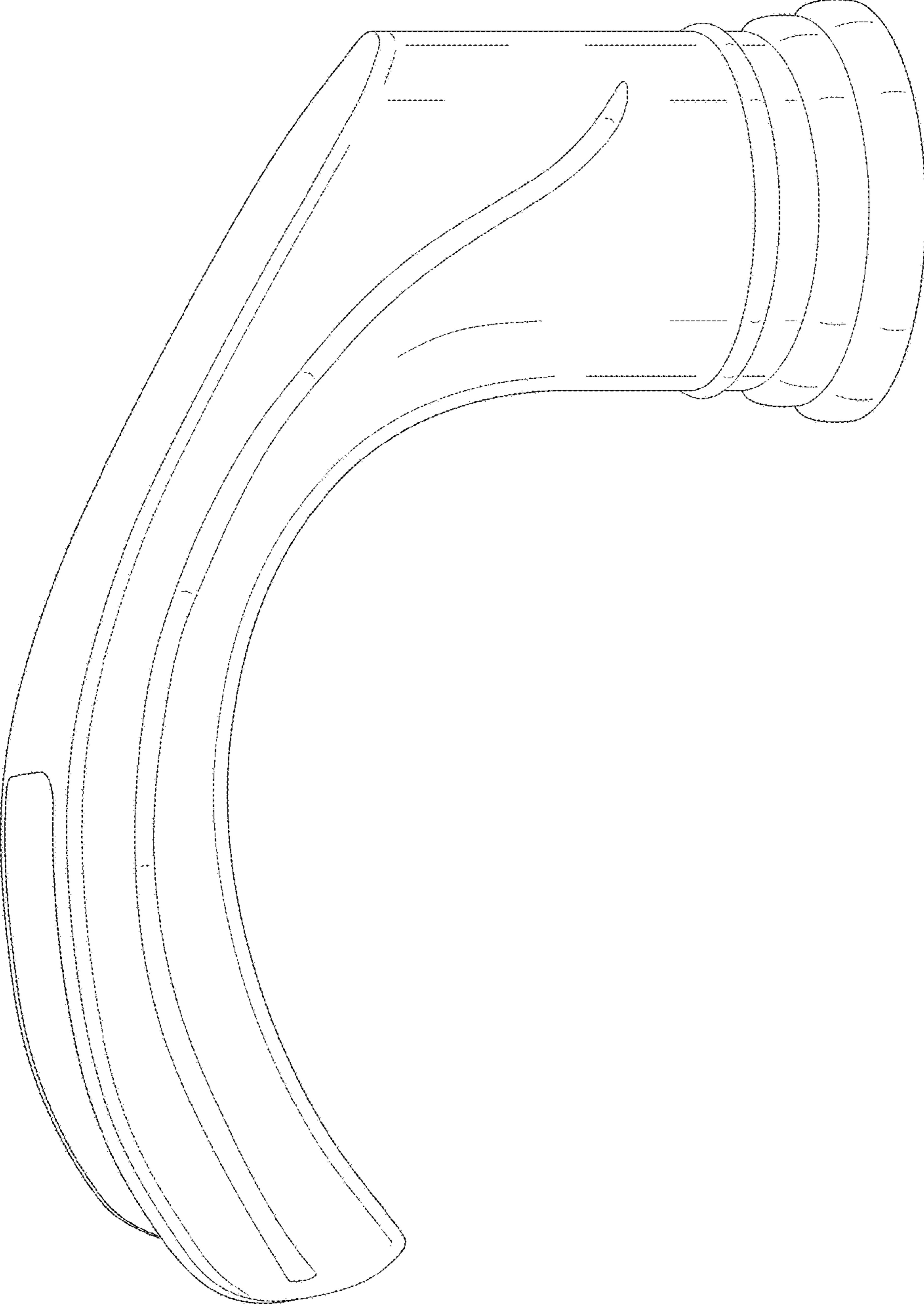


FIG. 1

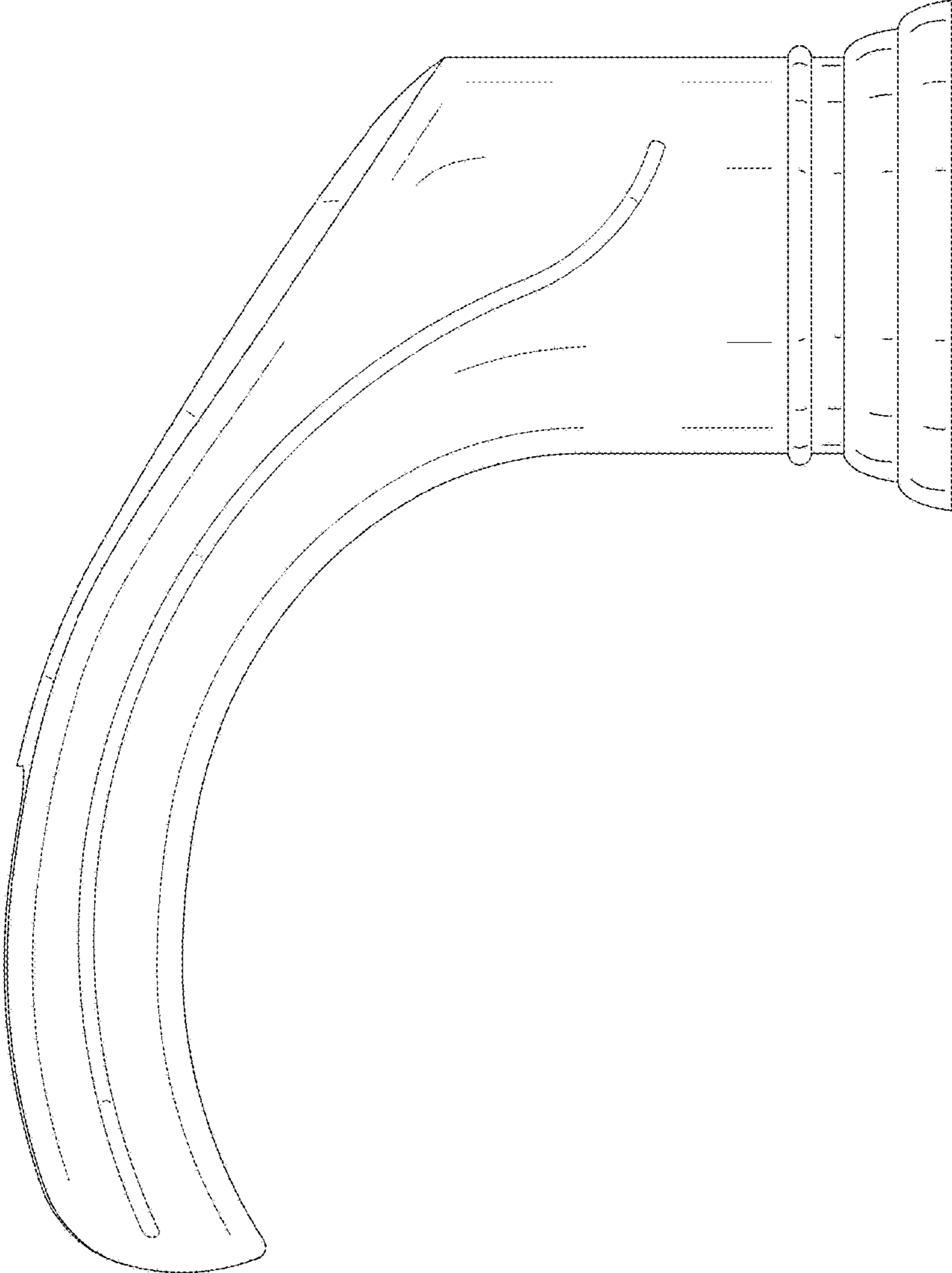


FIG. 2

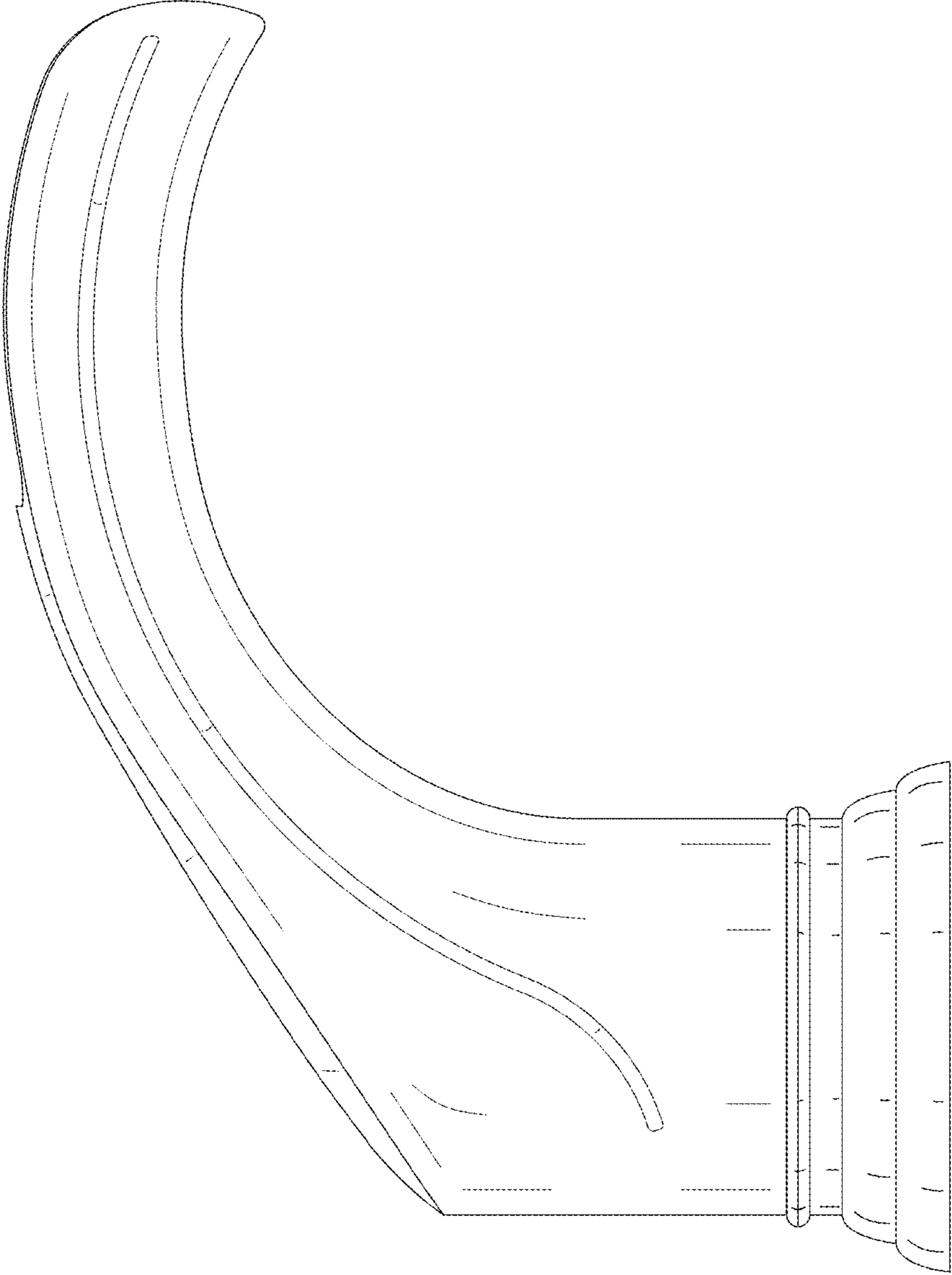


FIG. 3

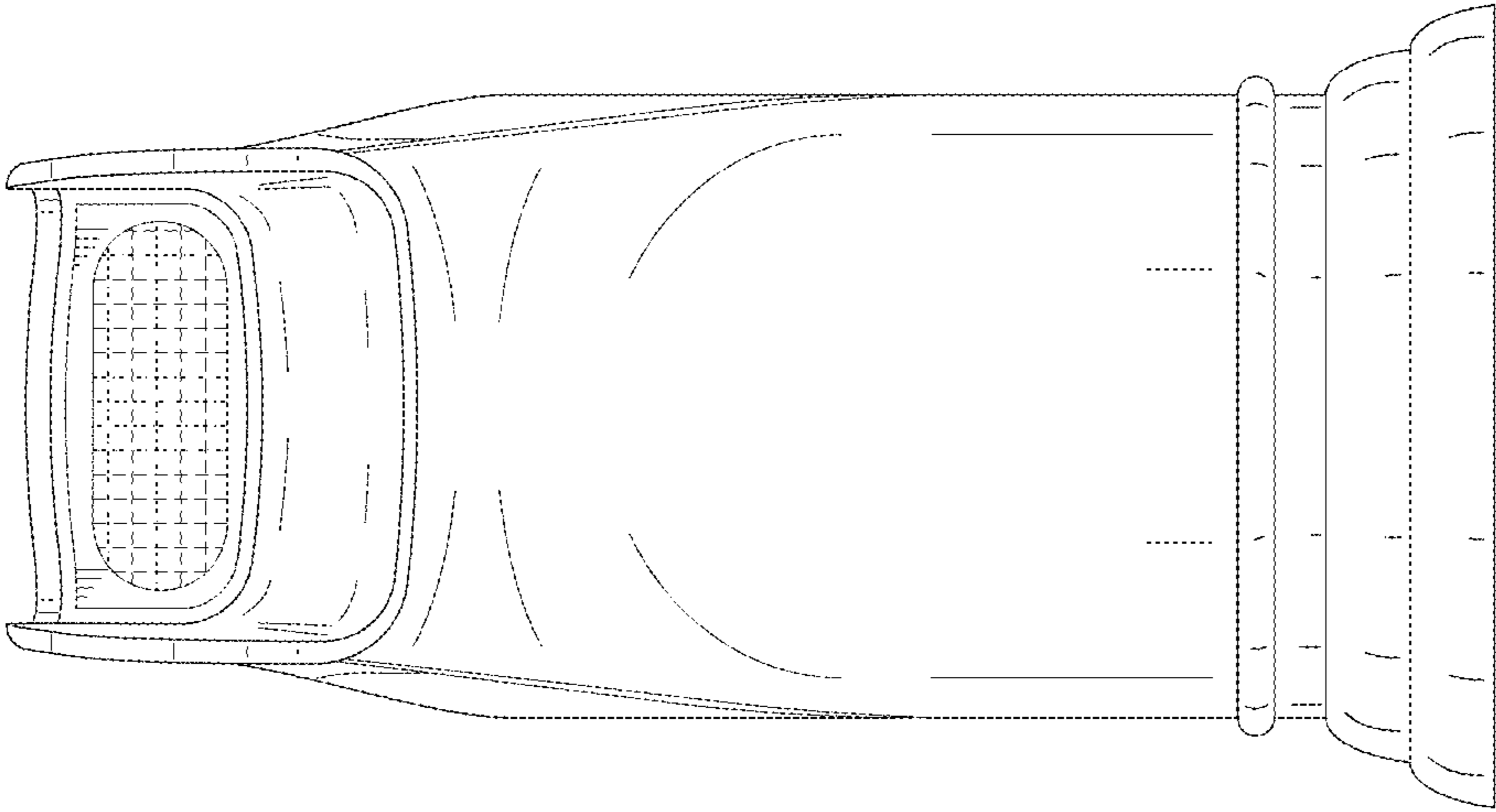


FIG. 4

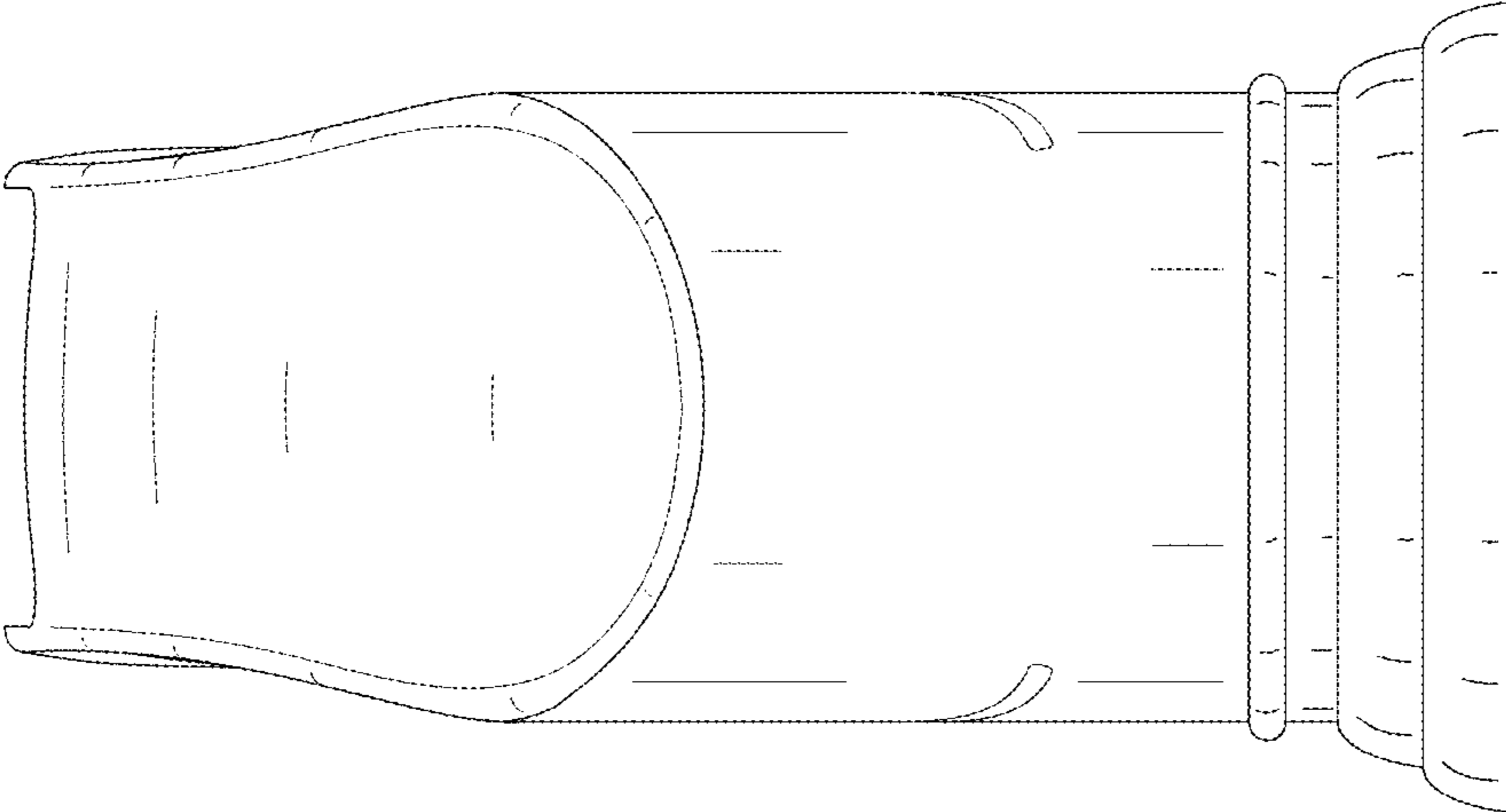


FIG. 5

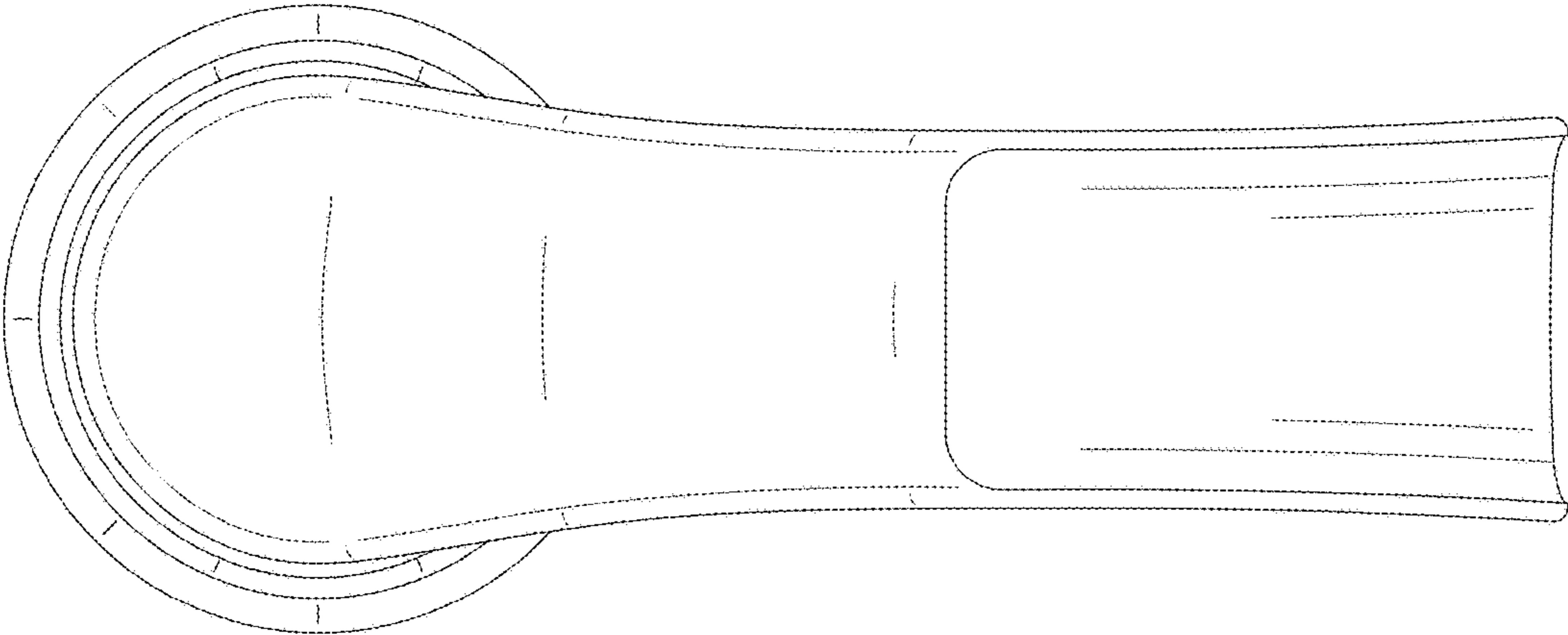


FIG. 6

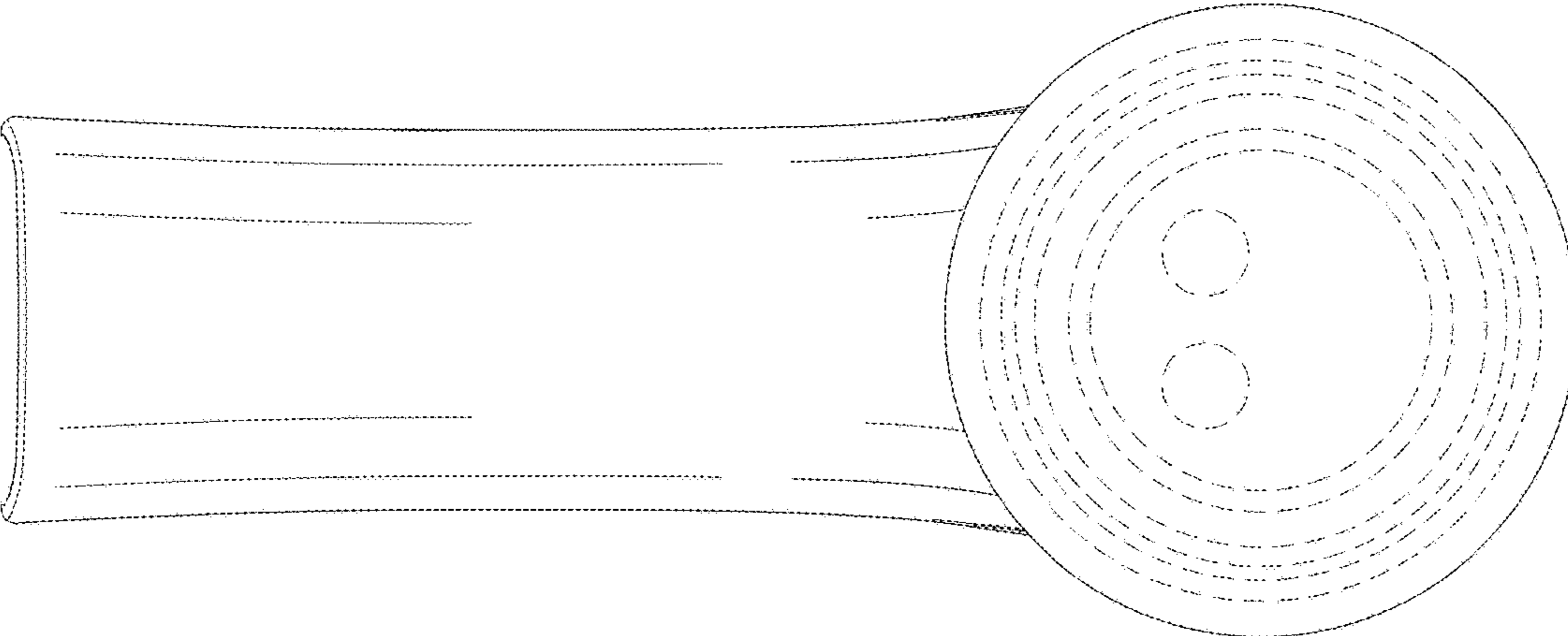


FIG. 7