

US00D860406S

(12) **United States Design Patent**
Vish

(10) **Patent No.:** **US D860,406 S**

(45) **Date of Patent:** **** Sep. 17, 2019**

(54) **FAUCET**

(71) Applicant: **Sloan Valve Company**, Franklin Park,
IL (US)

(72) Inventor: **Ronald J. Vish**, West Roxbury, MA
(US)

(73) Assignee: **Sloan Valve Company**, Franklin Park,
IL (US)

(**) Term: **15 Years**

(21) Appl. No.: **29/635,627**

(22) Filed: **Feb. 1, 2018**

(51) **LOC (12) Cl.** **23-01**

(52) **U.S. Cl.**
USPC **D23/255**

(58) **Field of Classification Search**
USPC D23/238-243, 249, 255, 257
See application file for complete search history.

(56) **References Cited**

U.S. PATENT DOCUMENTS

D486,560 S * 2/2004 Spangler D23/238
D526,699 S * 8/2006 Kulig D23/238

D583,022 S * 12/2008 Soulier D23/255
D692,540 S * 10/2013 Starck D23/255
D693,441 S * 11/2013 Starck D23/255
D694,373 S * 11/2013 Starck D23/255
D718,836 S * 12/2014 Starck D23/238
D719,645 S * 12/2014 Starck D23/255
D752,186 S * 3/2016 Schoenherr D23/255

* cited by examiner

Primary Examiner — Robert A Delehanty

(74) *Attorney, Agent, or Firm* — Banner & Witcoff, Ltd.

(57) **CLAIM**

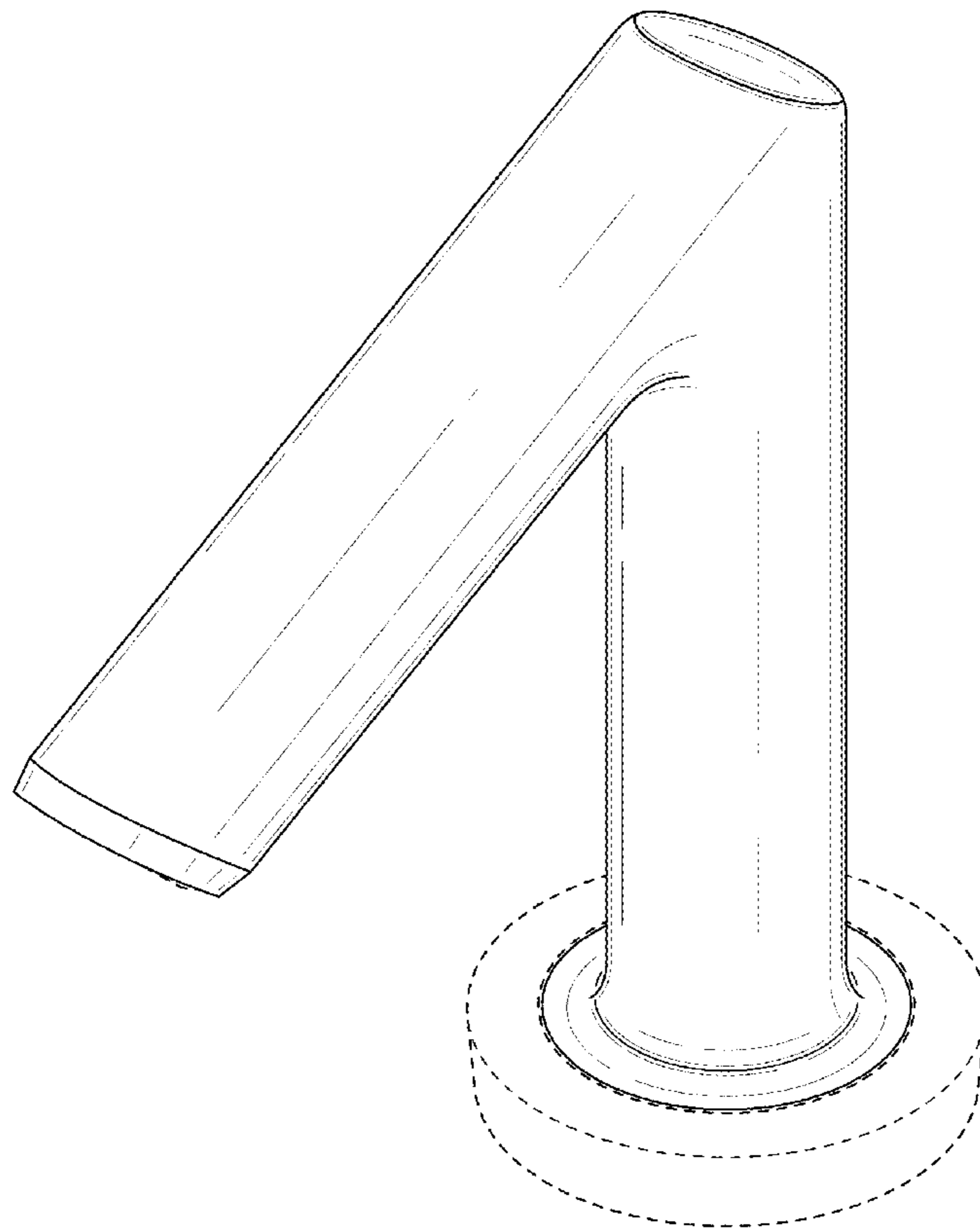
The ornamental design for a faucet, as shown and described.

DESCRIPTION

FIG. 1 is a top, front, right perspective view of a faucet showing my new design;
FIG. 2 is a right side view thereof;
FIG. 3 is a left side view thereof;
FIG. 4 is a front view thereof;
FIG. 5 is a rear view thereof;
FIG. 6 is a top view thereof; and,
FIG. 7 is a bottom view thereof.

The broken lines depicting the remainder of the faucet show features that form no part of the claimed design.

1 Claim, 7 Drawing Sheets



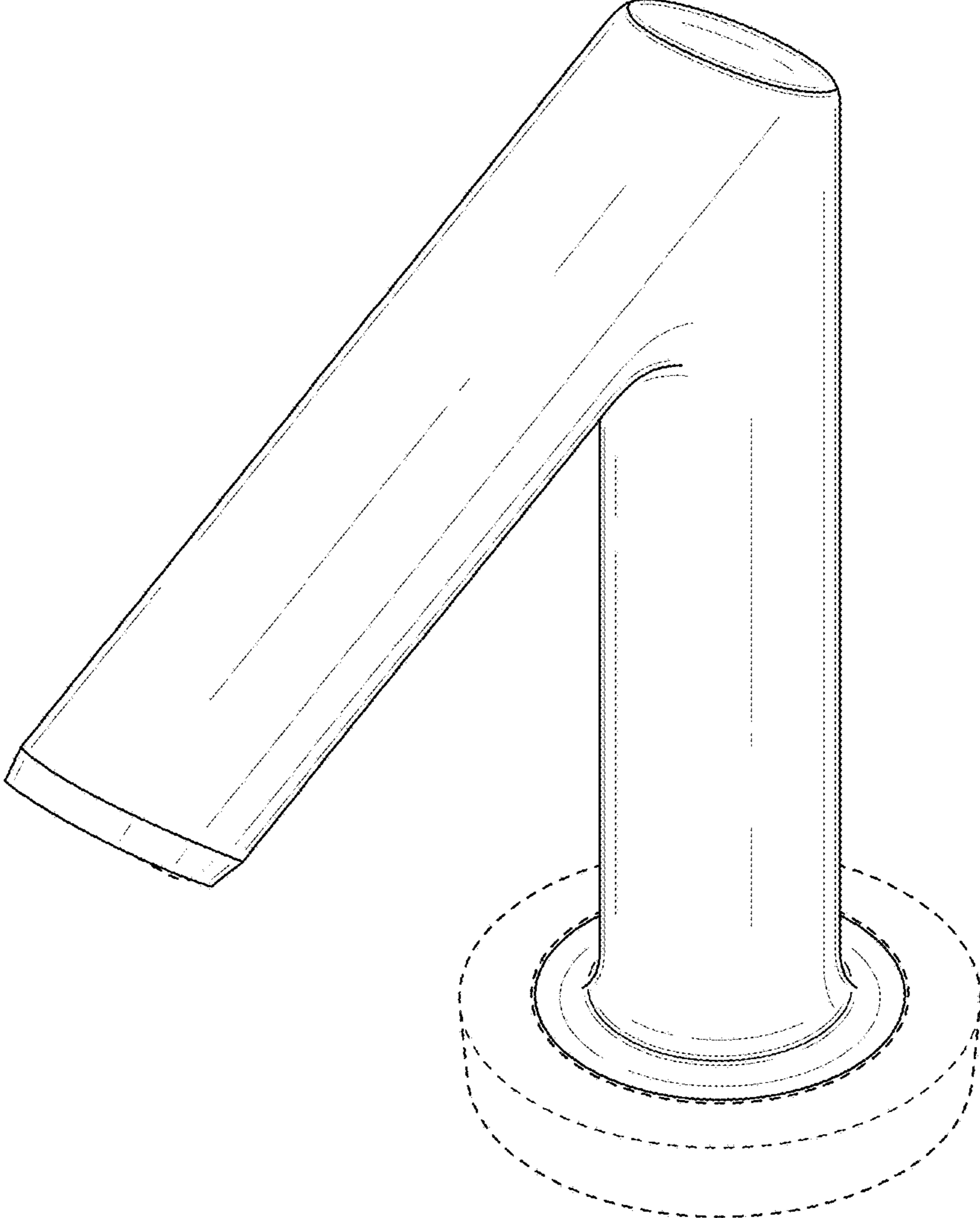


FIG. 1

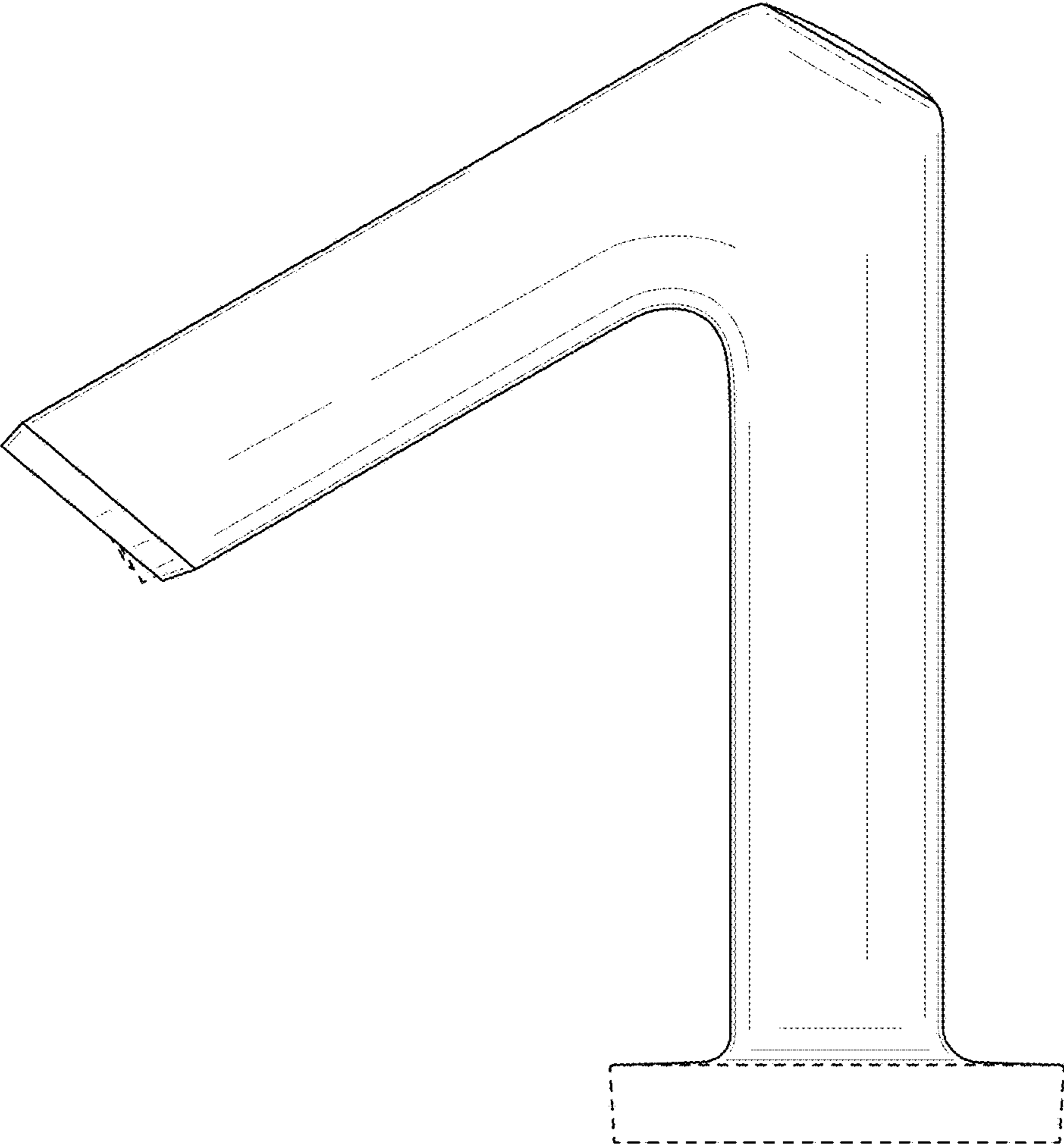


FIG. 2

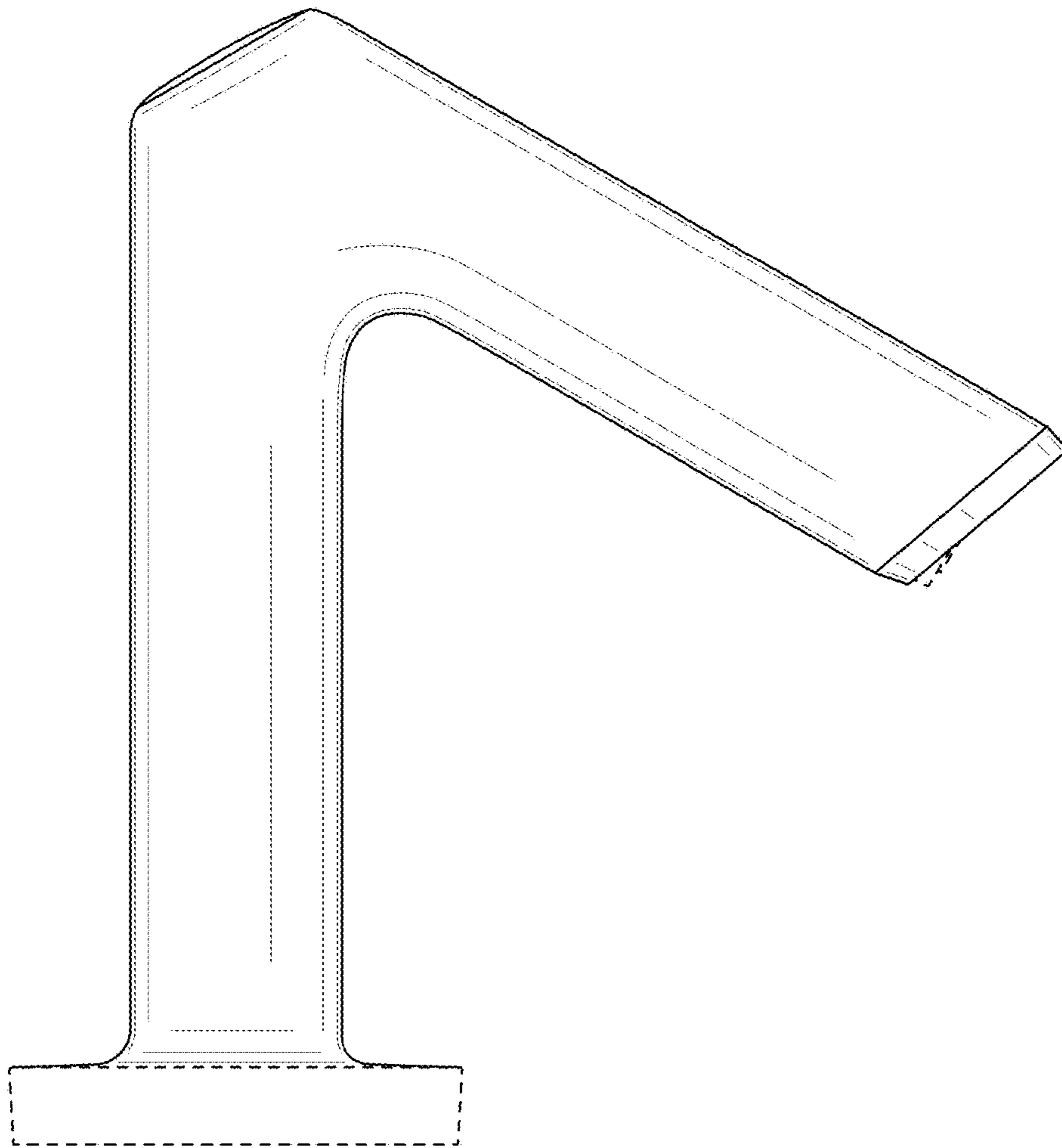


FIG. 3

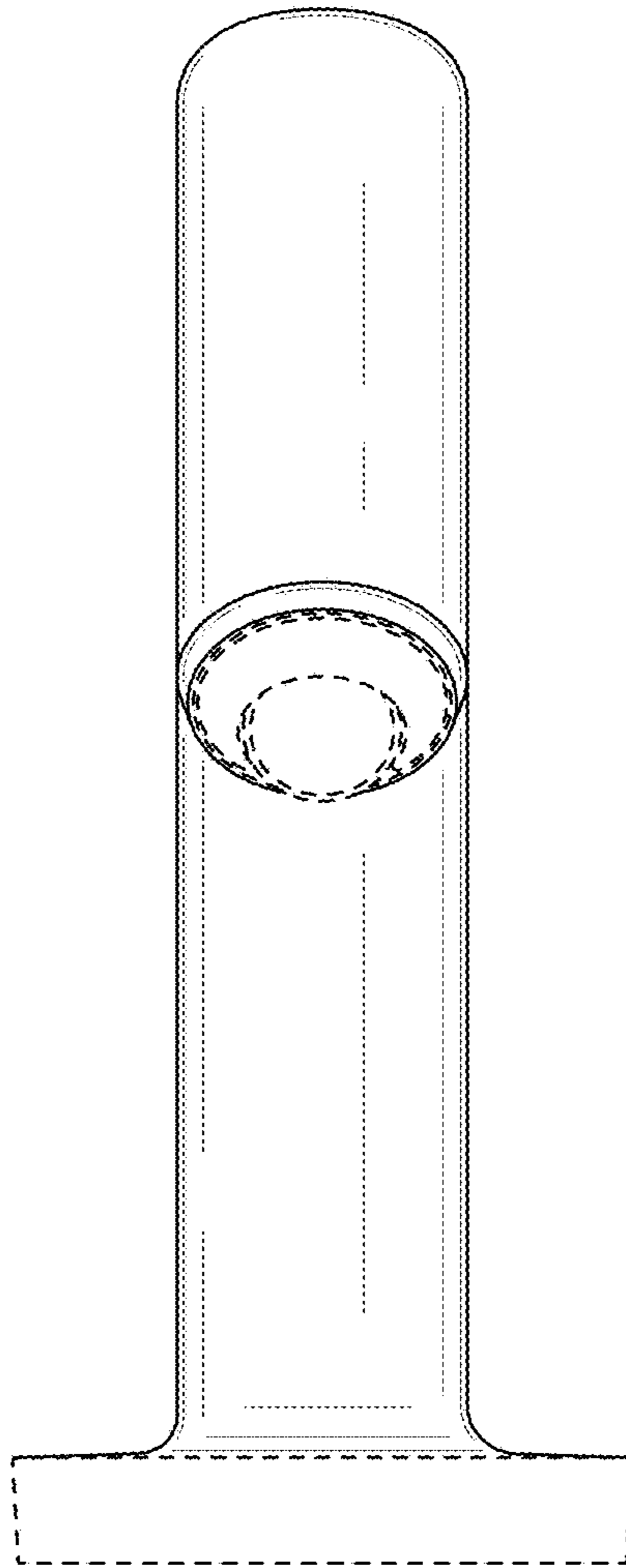


FIG. 4

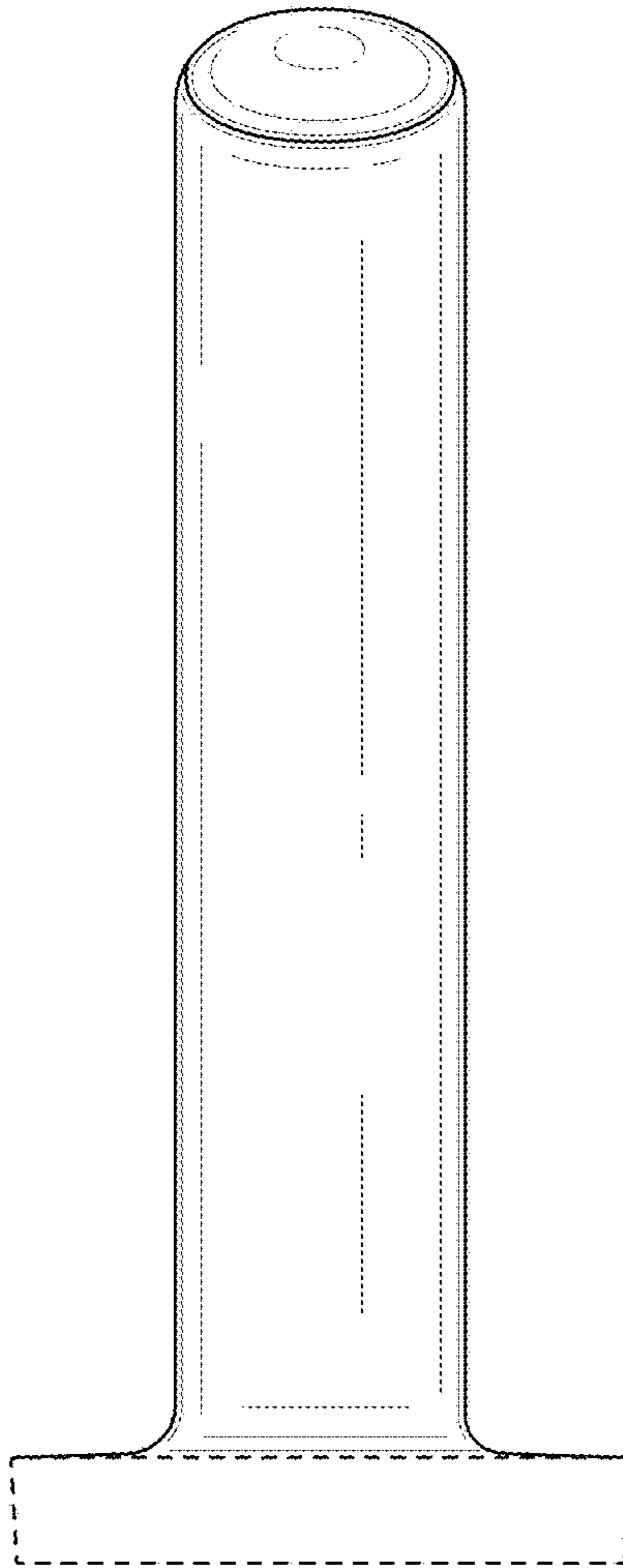


FIG. 5

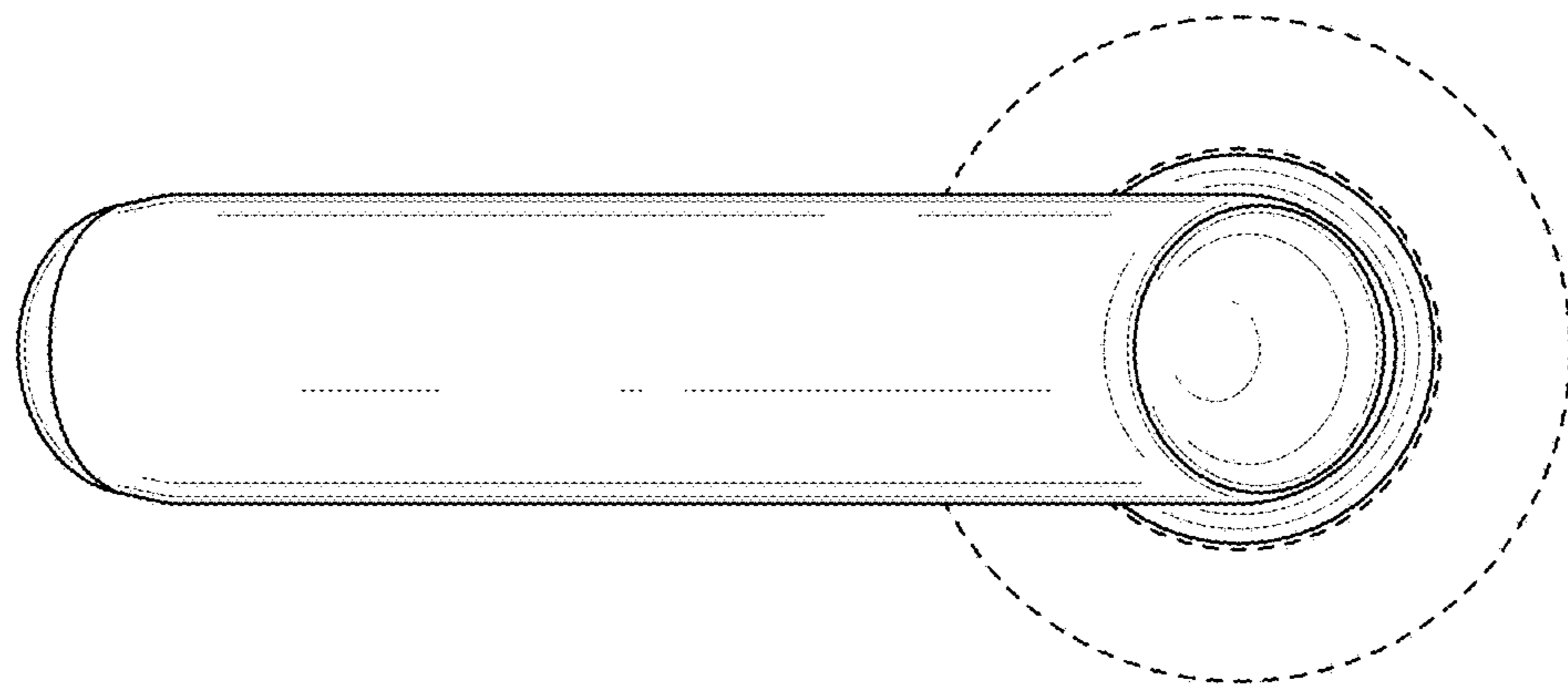


FIG. 6

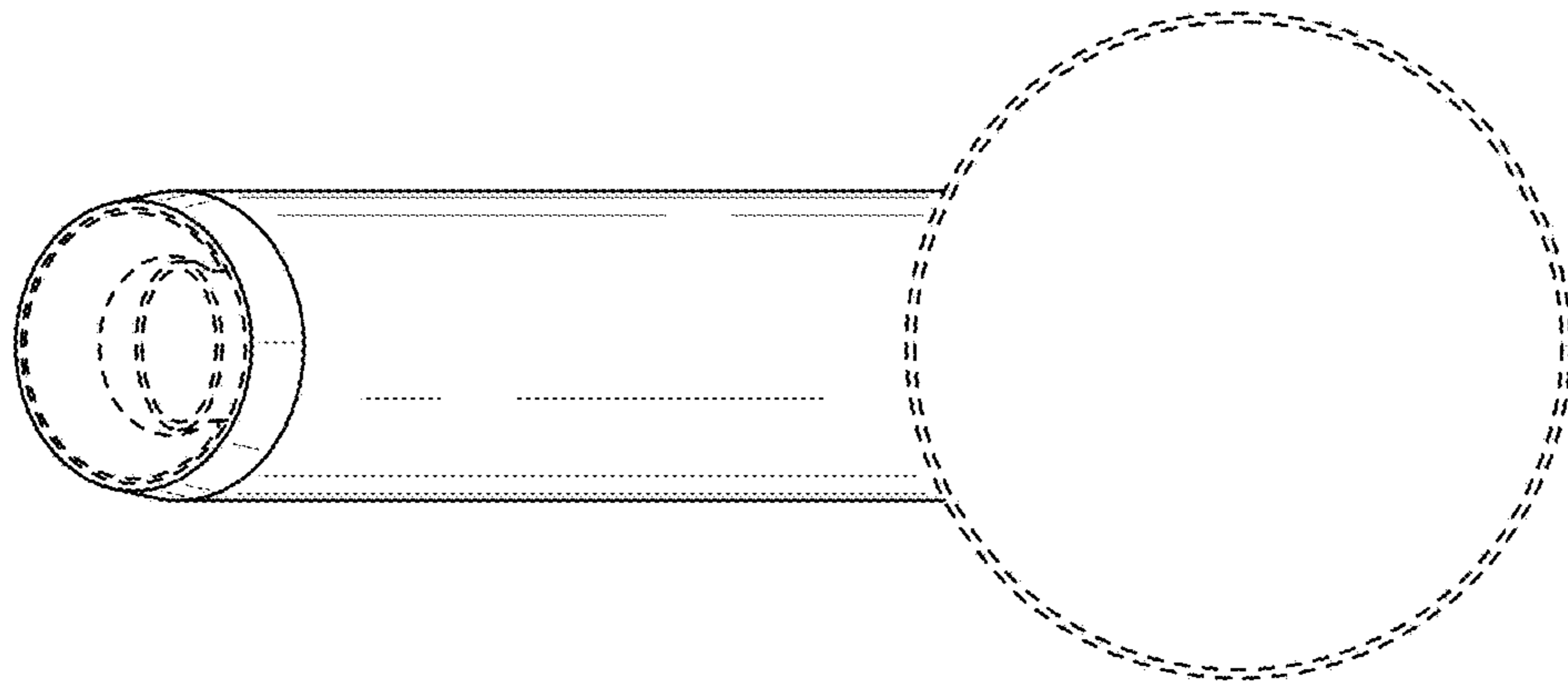


FIG. 7