



US00D860405S

(12) **United States Design Patent**  
**Bahler**

(10) **Patent No.:** **US D860,405 S**

(45) **Date of Patent:** **\*\* Sep. 17, 2019**

(54) **VALVE**

D740,396 S \* 10/2015 Bahler ..... D23/252  
D740,398 S \* 10/2015 Bahler ..... D23/242  
D768,826 S \* 10/2016 Flowers ..... D23/252

(71) Applicant: **DELTA FAUCET COMPANY,**  
Indianapolis, IN (US)

\* cited by examiner

(72) Inventor: **Jordan Bahler,** Frankfort, IN (US)

*Primary Examiner* — Eric L Goodman

(73) Assignee: **DELTA FAUCET COMPANY,**  
Indianapolis, IN (US)

*Assistant Examiner* — Amy C Wierenga

(74) *Attorney, Agent, or Firm* — Edgar A. Zarins; Nirav  
D. Parikh

(\*\*) Term: **15 Years**

(57) **CLAIM**

(21) Appl. No.: **29/646,181**

The ornamental design for a valve, as shown and described.

(22) Filed: **May 2, 2018**

**DESCRIPTION**

(51) **LOC (12) Cl.** ..... **23-01**

(52) **U.S. Cl.**  
USPC ..... **D23/254**

(58) **Field of Classification Search**  
USPC ..... D23/238, 239–243, 249–250, 252–254  
See application file for complete search history.

FIG. 1 is a perspective view of a valve showing my new design;

FIG. 2 is a top plan view thereof;

FIG. 3 is a right side view thereof, the opposite side being a mirror image of the side shown;

FIG. 4 is a front elevational view thereof;

FIG. 5 is a bottom view thereof; and,

FIG. 6 is a rear view thereof.

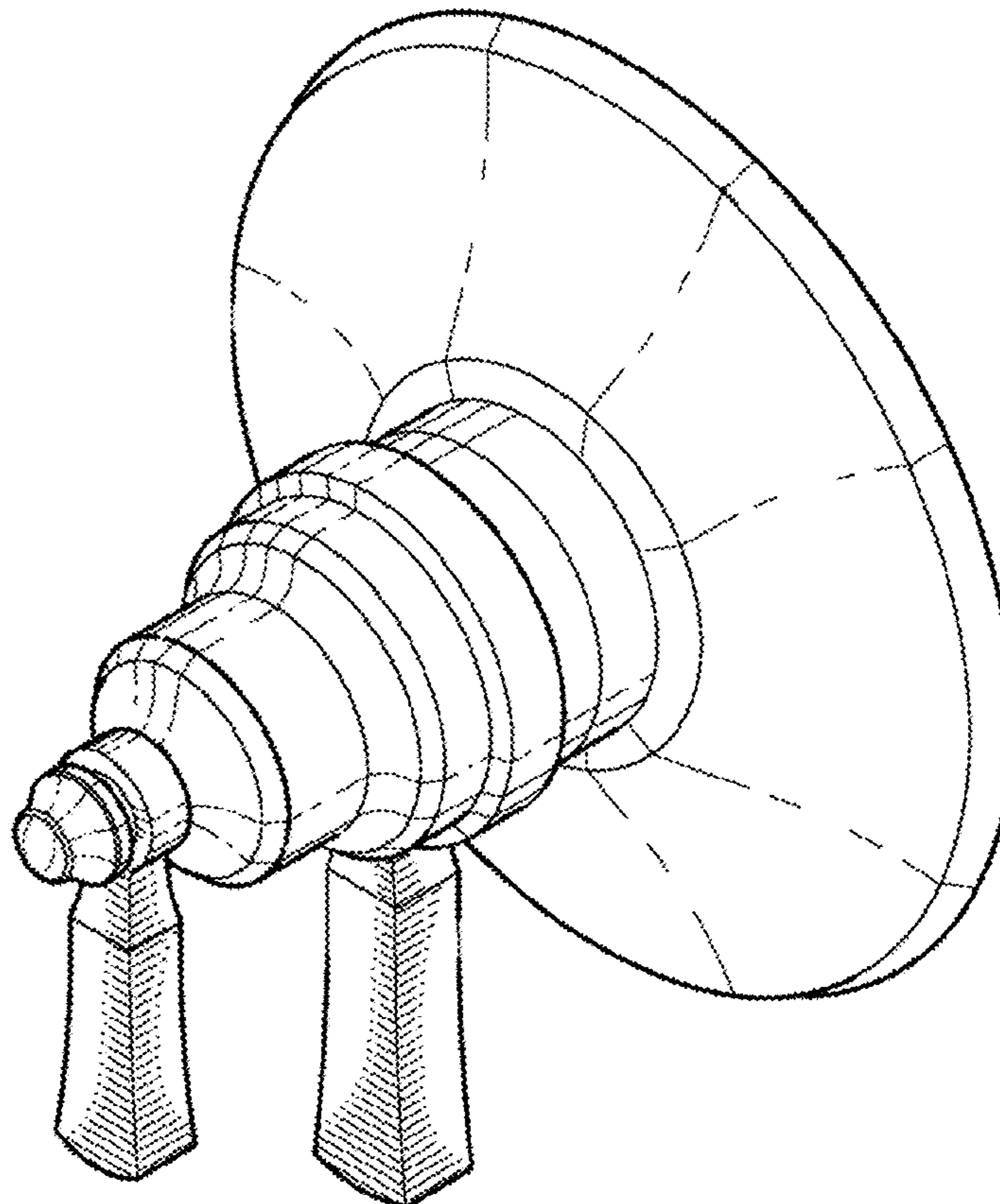
The broken-line disclosure in the view represents a portion of the valve in which the claimed design is embodied, but which forms no part of the claimed design.

(56) **References Cited**

U.S. PATENT DOCUMENTS

D405,510 S \* 2/1999 Lord ..... D23/254  
D469,858 S \* 2/2003 Lord ..... D23/254  
D691,707 S \* 10/2013 Flowers ..... D23/252  
D739,503 S \* 9/2015 Bahler ..... D23/242

**1 Claim, 3 Drawing Sheets**



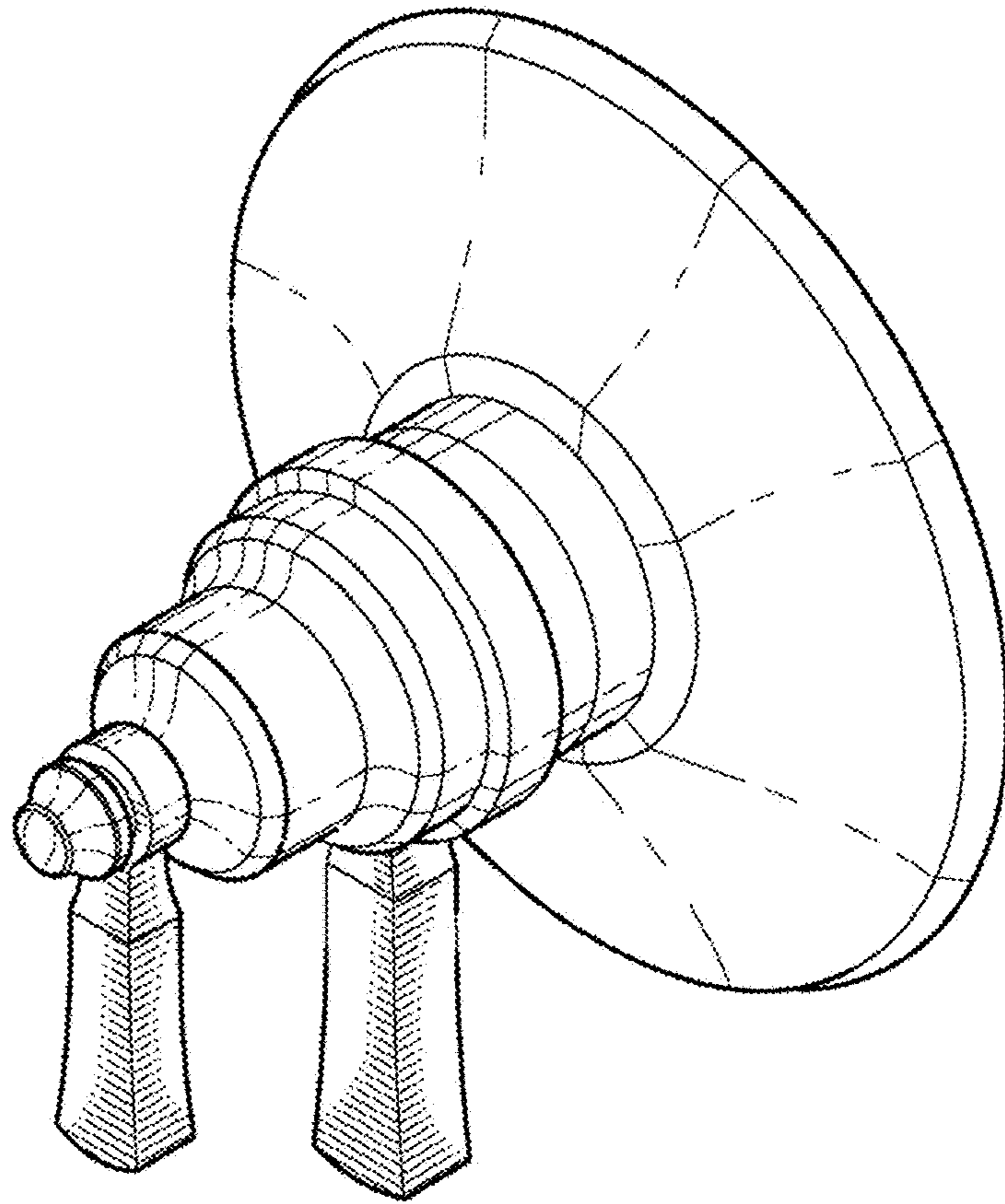


Fig-1

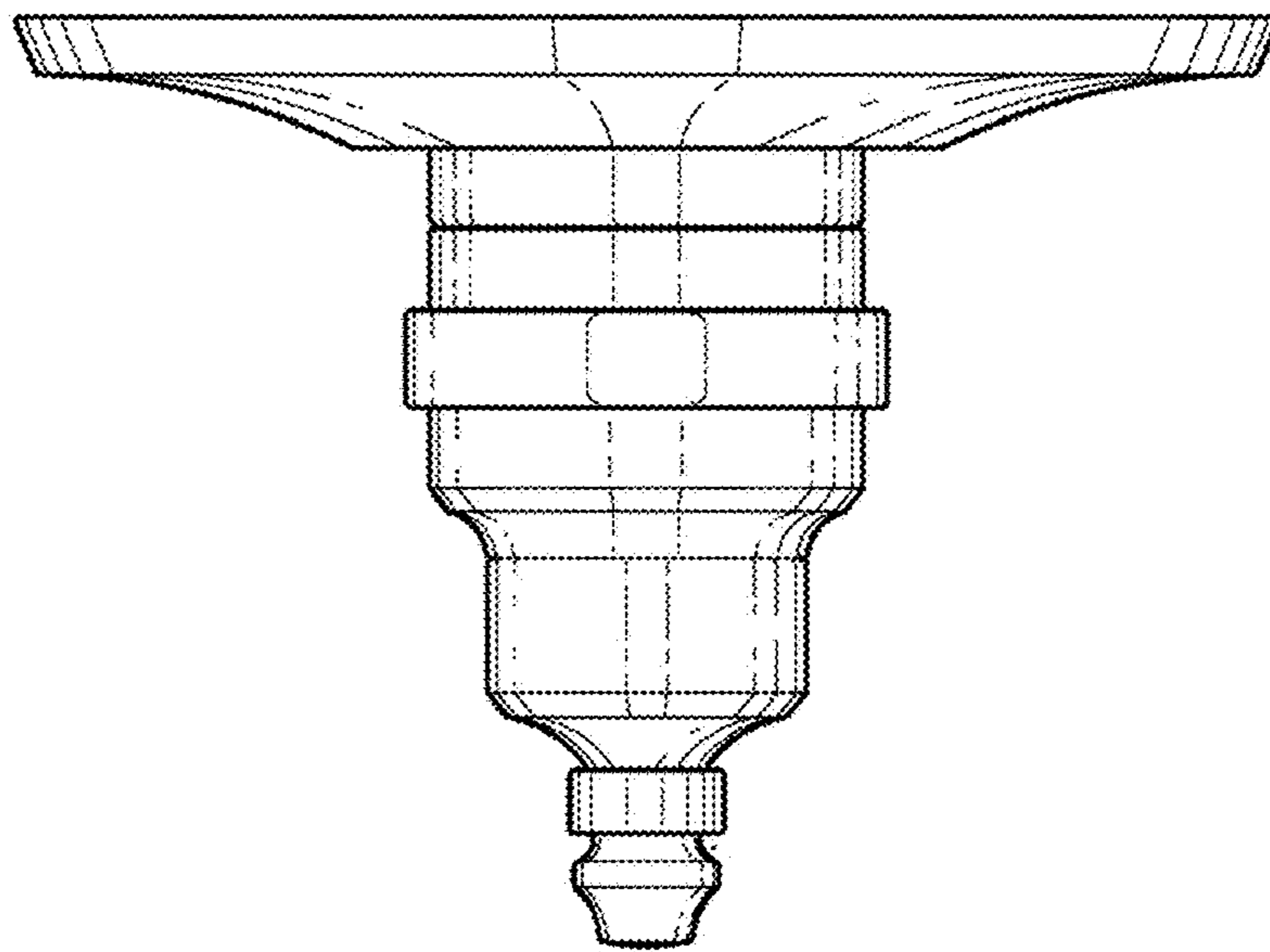


Fig-2

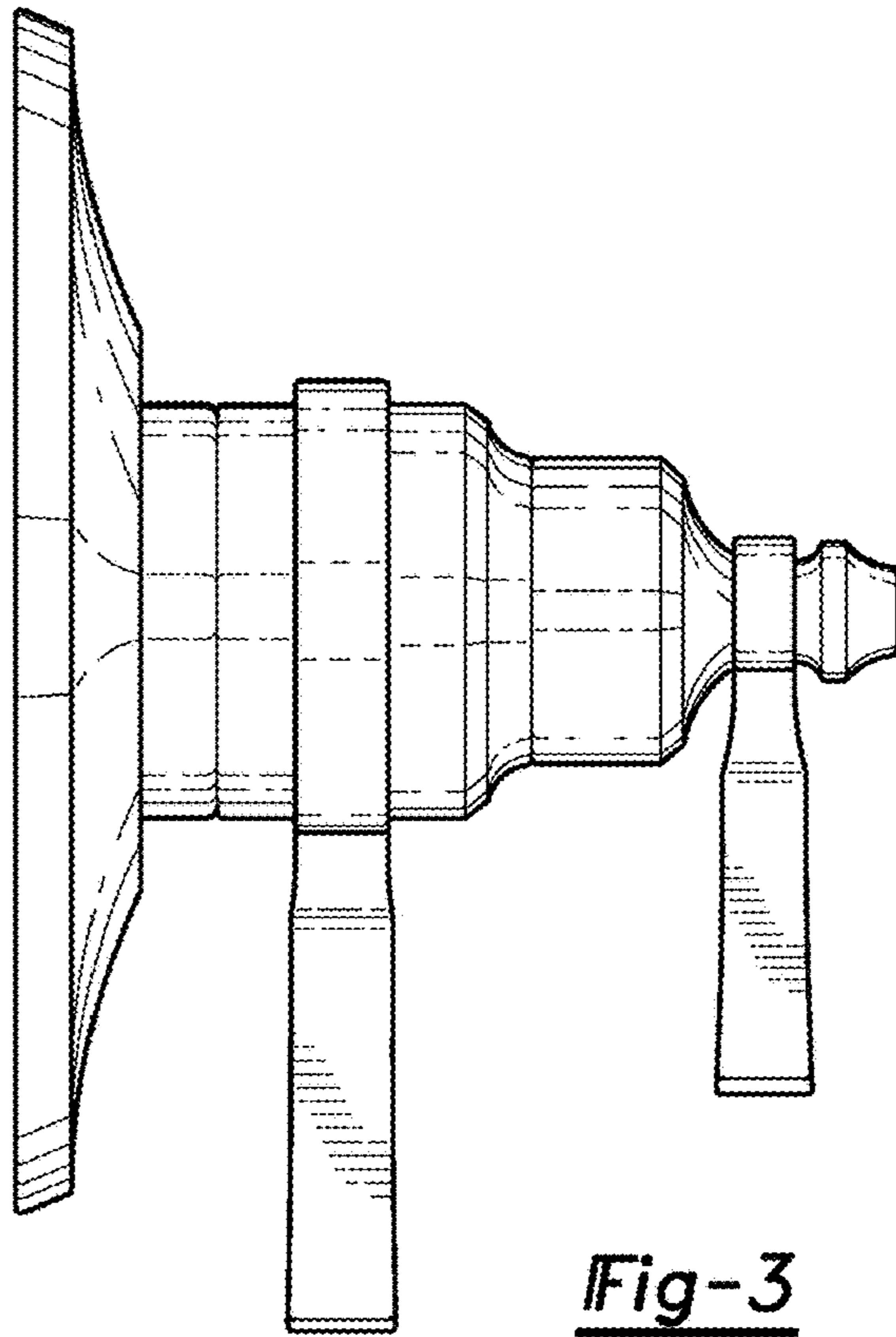


Fig-3

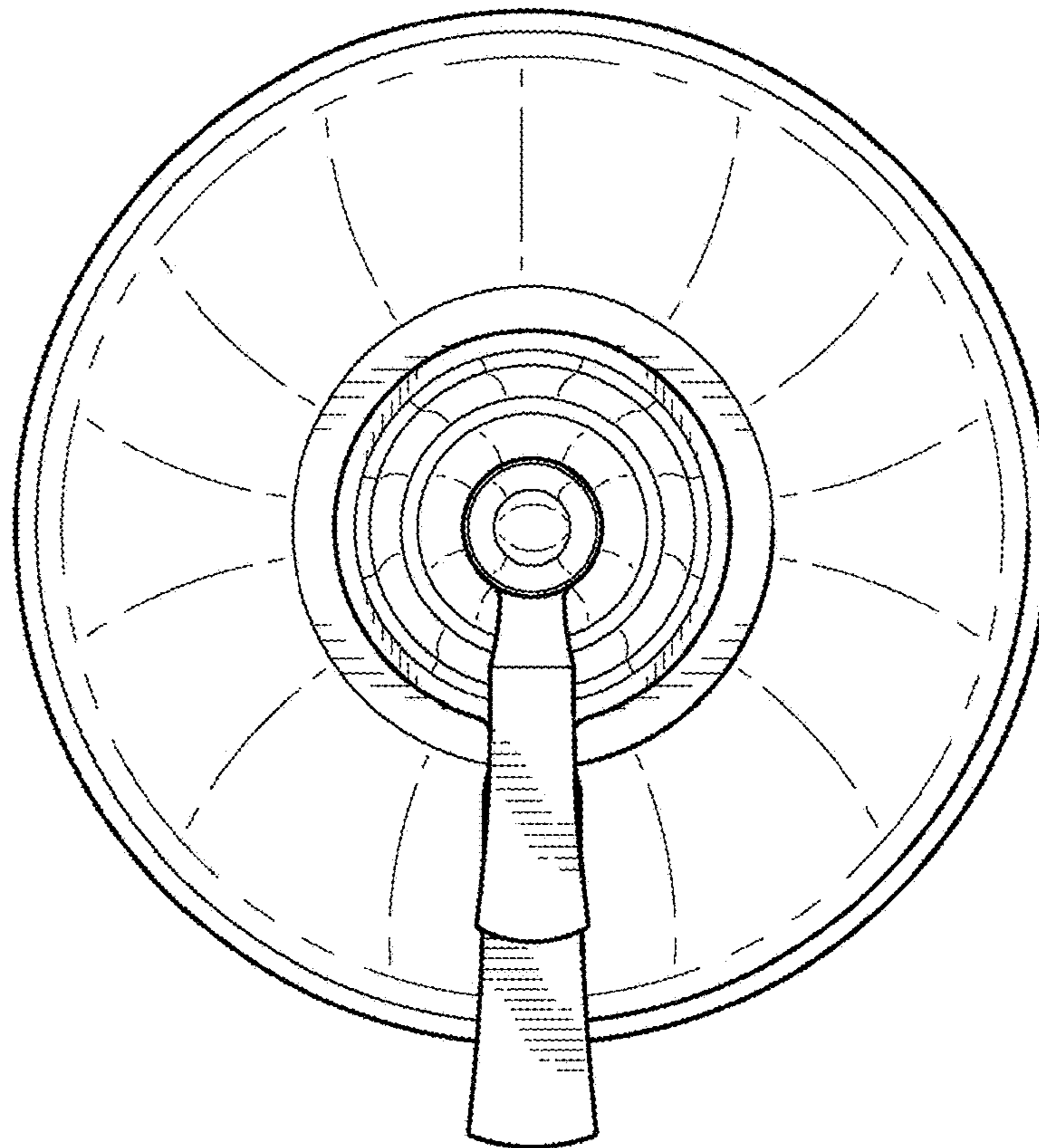


Fig-4

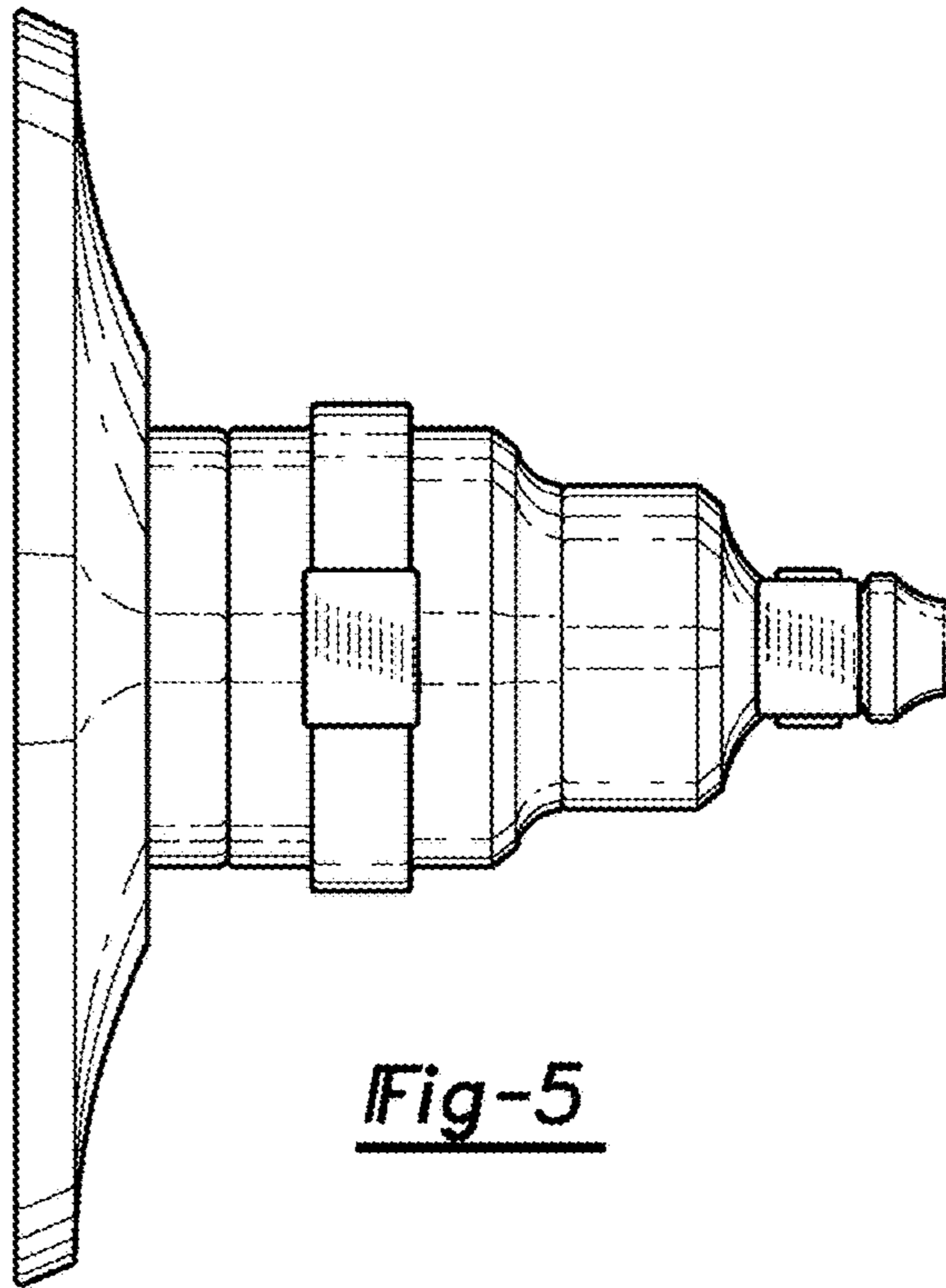


Fig-5

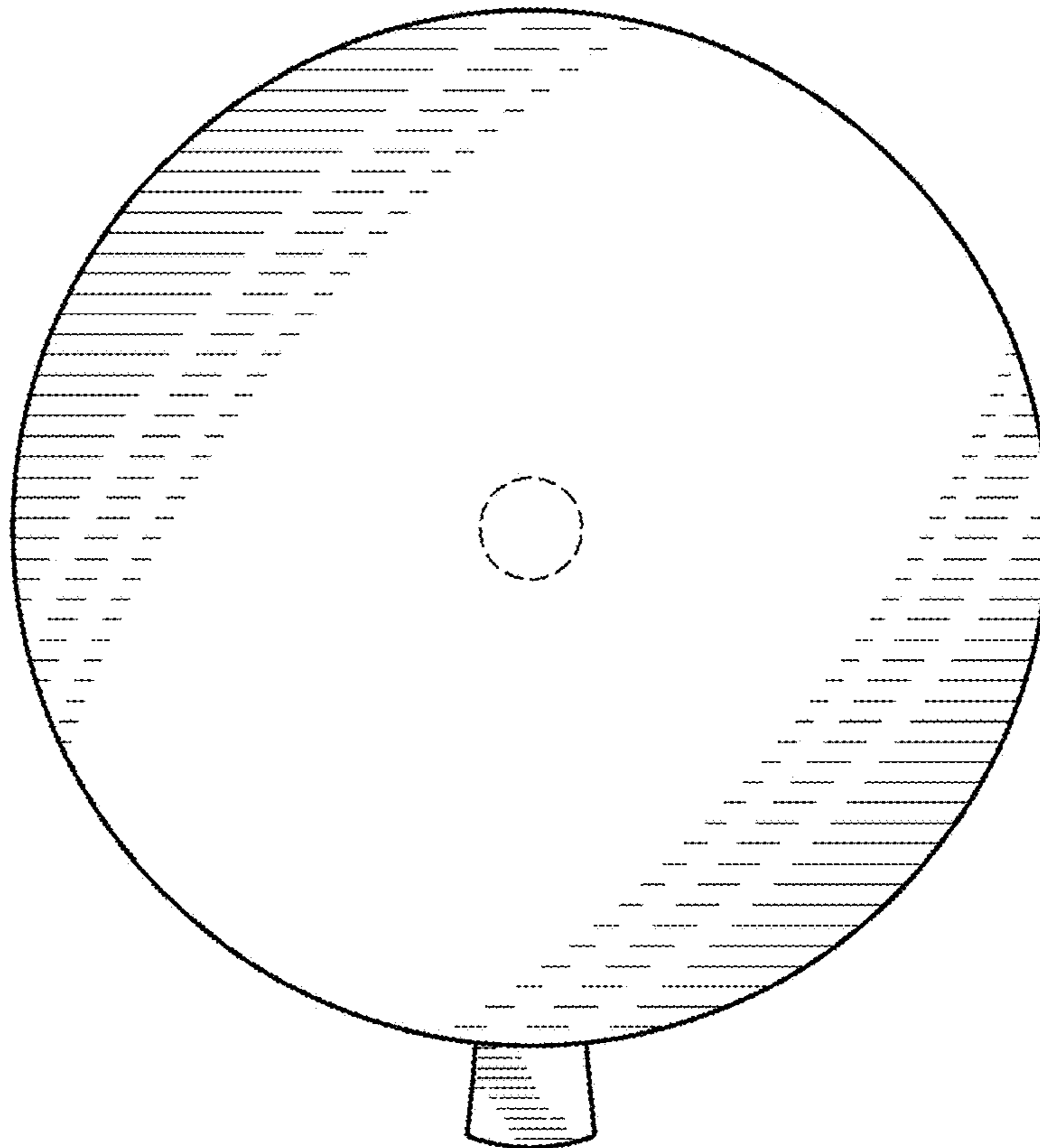


Fig-6