



US00D860401S

(12) **United States Design Patent** (10) **Patent No.:** **US D860,401 S**  
**Cherney et al.** (45) **Date of Patent:** **\*\* Sep. 17, 2019**

(54) **VALVE LOCKOUT**

FOREIGN PATENT DOCUMENTS

(71) Applicant: **Brady Worldwide, Inc.**, Milwaukee, WI (US)  
(72) Inventors: **Katherine A. Cherney**, Glendale, WI (US); **Andrew N. Enger**, Muskego, WI (US)  
(73) Assignee: **Brady Worldwide, Inc.**, Milwaukee, WI (US)

EP 0989037 A1 3/2000  
EP 1084916 B1 11/2003  
(Continued)

(\*\*) Term: **15 Years**

OTHER PUBLICATIONS

Canadian Intellectual Property Office, Application for Registration of an Industrial Design—Examiner’s Report, Application No. 173211, dated Jul. 19, 2017, 9 pages.

(21) Appl. No.: **29/575,460**

*Primary Examiner* — Cynthia Ramirez  
*Assistant Examiner* — Gino Colan  
(74) *Attorney, Agent, or Firm* — Quarles & Brady LLP

(22) Filed: **Aug. 25, 2016**

(57) **CLAIM**

(51) **LOC (12) Cl.** ..... **23-01**

The ornamental design for a valve lockout, as shown and described.

(52) **U.S. Cl.**

USPC ..... **D23/249**

(58) **Field of Classification Search**

USPC ..... 137/383, 385, 382, 377, 317; 70/178, 70/164, 209, 212, 57.1; D23/249; 251/90, 96; D13/177

CPC ..... F16K 35/10; F16K 35/06; F16K 11/0704  
See application file for complete search history.

**DESCRIPTION**

FIG. 1 is an isometric view of a top, front, and left side of an ornamental design for a valve lockout; FIG. 2 is an isometric view of a bottom, rear, and right side of the valve lockout of FIG. 1; FIG. 3 is a front elevational view of the valve lockout of FIG. 1; FIG. 4 is a rear elevational view of the valve lockout of FIG. 1; FIG. 5 is a right side elevational view of the valve lockout of FIG. 1; FIG. 6 is a left side elevational view of the valve lockout of FIG. 1; FIG. 7 is a top plan view of the valve lockout of FIG. 1; and, FIG. 8 is a bottom plan view of the valve lockout of FIG. 1. The dash-dash broken lines are included for the purpose of illustrating portions of the valve lockout that form no part of the claimed design.

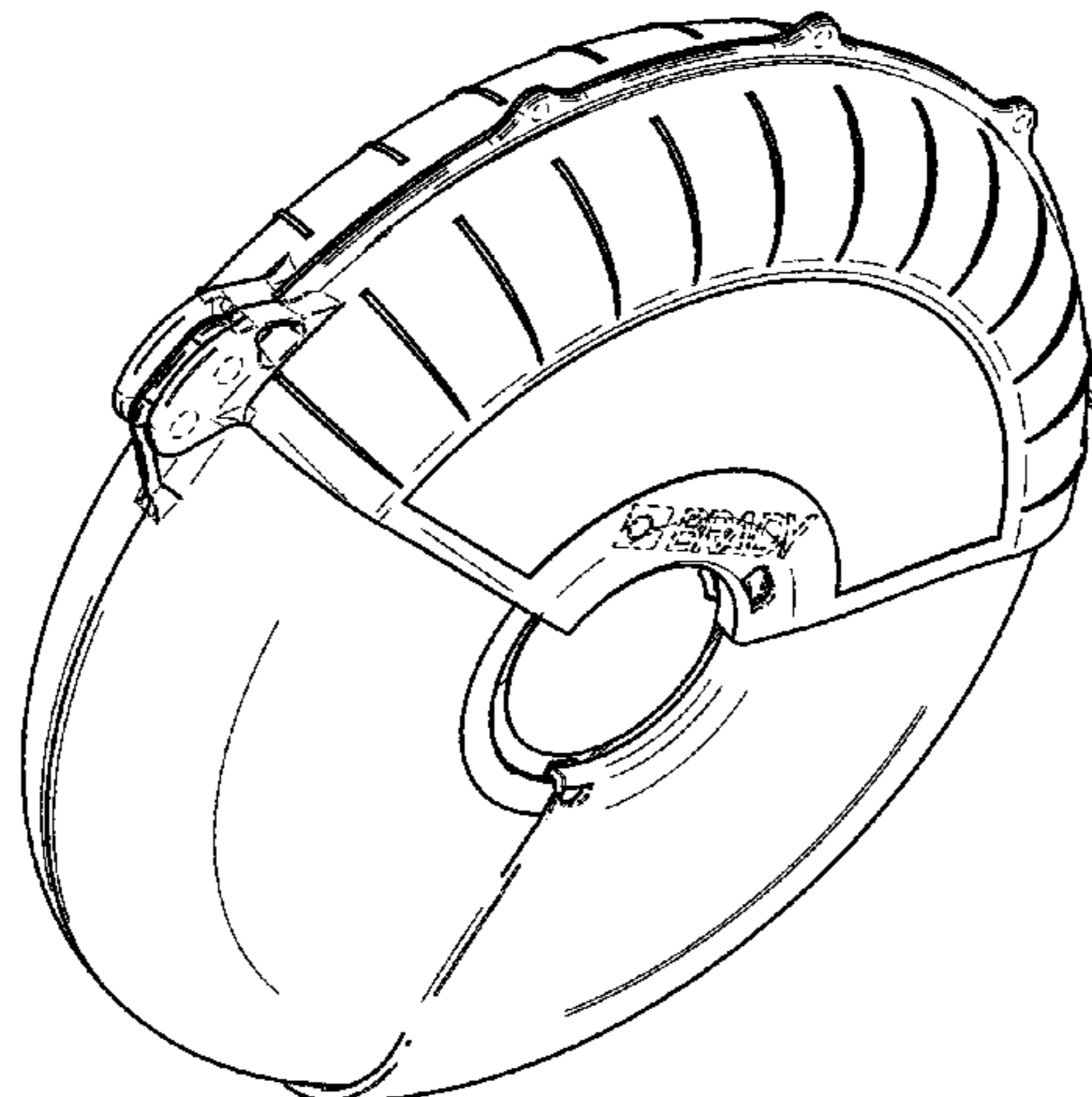
(56) **References Cited**

U.S. PATENT DOCUMENTS

785,526 A	3/1905	Simpson	
1,154,389 A	9/1915	Fogalsang	
1,329,913 A	2/1920	McGuire	
1,368,054 A	2/1921	Recher	
2,048,424 A	7/1936	Caldwell	
3,429,629 A	2/1969	Cilia	
4,457,445 A	7/1984	Hanks et al.	
4,560,078 A	12/1985	Dubuisson	
4,899,564 A	2/1990	Gilbert	
D309,433 S	7/1990	Minuti	
5,092,359 A	3/1992	Wirth et al.	
D348,306 S *	6/1994	Parker	..... D23/249

(Continued)

**1 Claim, 8 Drawing Sheets**



(56)

**References Cited**

U.S. PATENT DOCUMENTS

5,417,093	A	5/1995	Heiberg	
5,540,067	A	7/1996	Kim	
5,619,873	A	4/1997	Wood	
5,782,116	A	7/1998	Ryan et al.	
6,119,718	A *	9/2000	Cappuccio .....	F16L 35/00 137/317
6,186,349	B1	2/2001	Tempongko	
6,206,033	B1	3/2001	Chang	
6,701,759	B2	3/2004	Joffrey	
7,197,904	B2	4/2007	Marcelle et al.	
7,752,876	B2	7/2010	Meekma et al.	
D630,300	S *	1/2011	Parker .....	D23/249
8,091,727	B2	1/2012	Domkowski	
8,201,506	B1	6/2012	Parlapiano	
D720,705	S *	1/2015	Gratz .....	D13/177
8,955,540	B2 *	2/2015	Agbay .....	F16K 35/06 137/382
8,997,779	B2 *	4/2015	Rohde .....	F16K 35/06 137/383
D755,351	S *	5/2016	Parker .....	D23/249
2004/0237632	A1	12/2004	Van Keeken	

FOREIGN PATENT DOCUMENTS

WO	96/20099	A1	7/1996
WO	97/38877	A1	10/1997

\* cited by examiner



FIG. 1

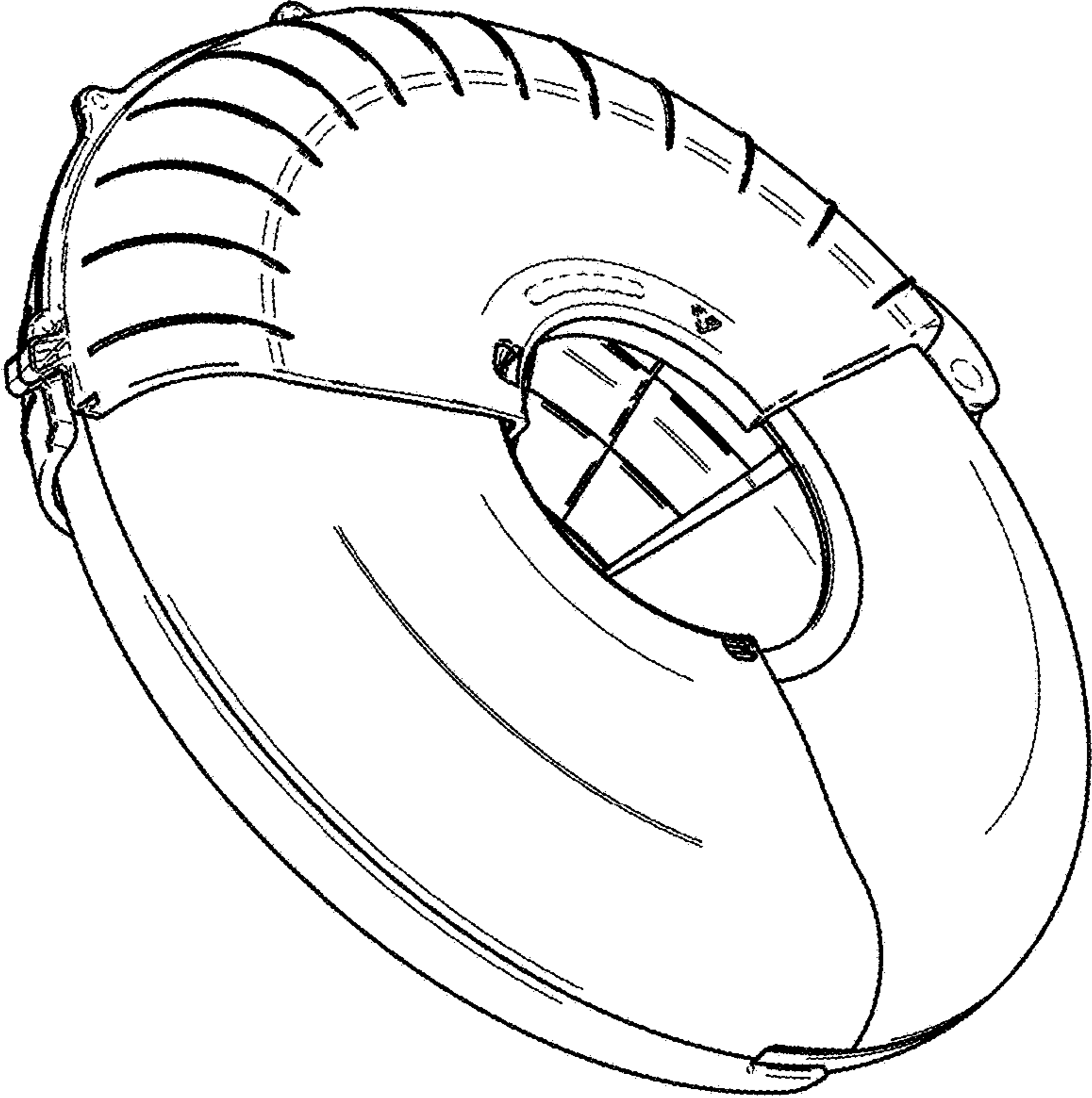


FIG. 2

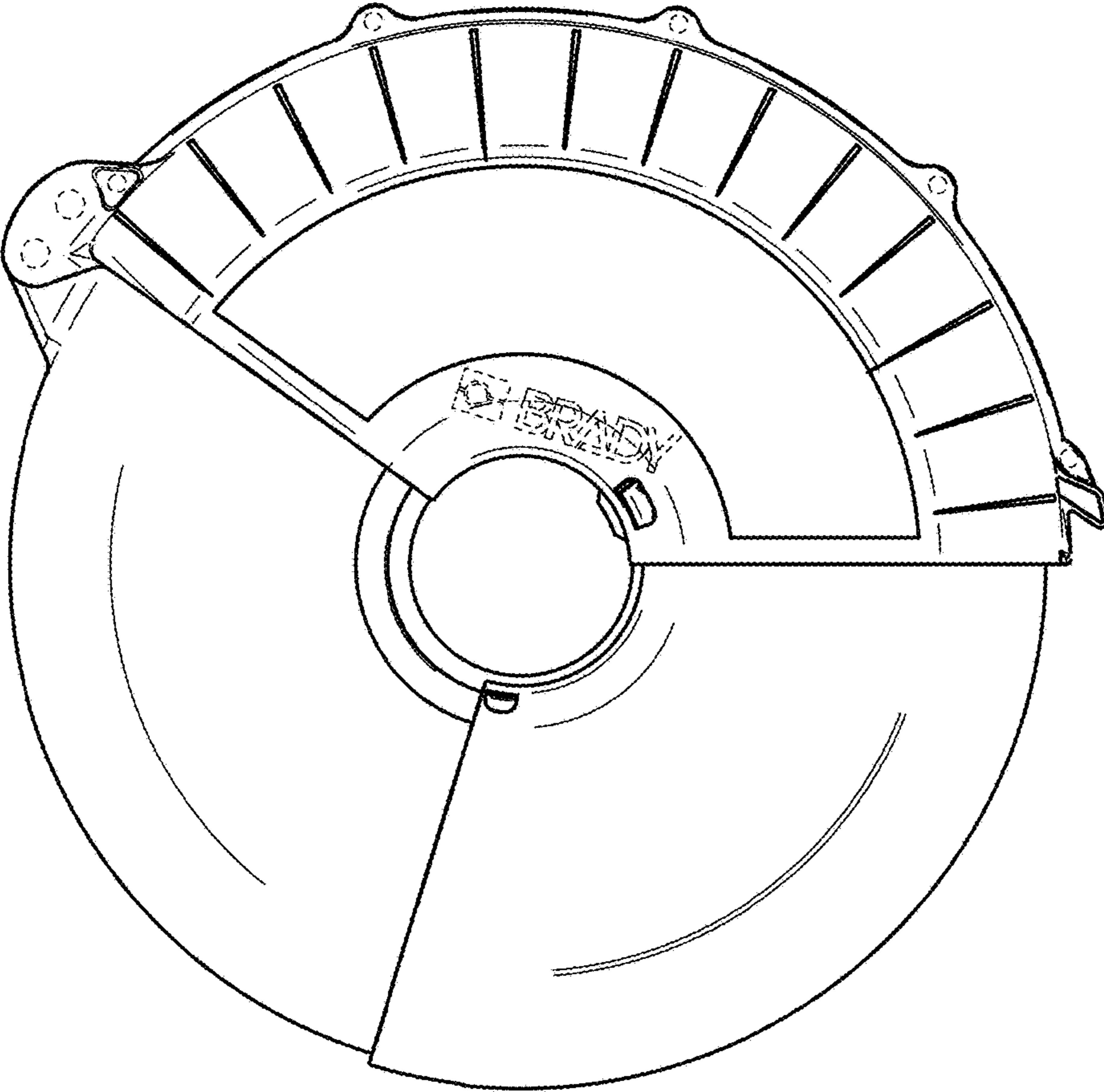


FIG. 3

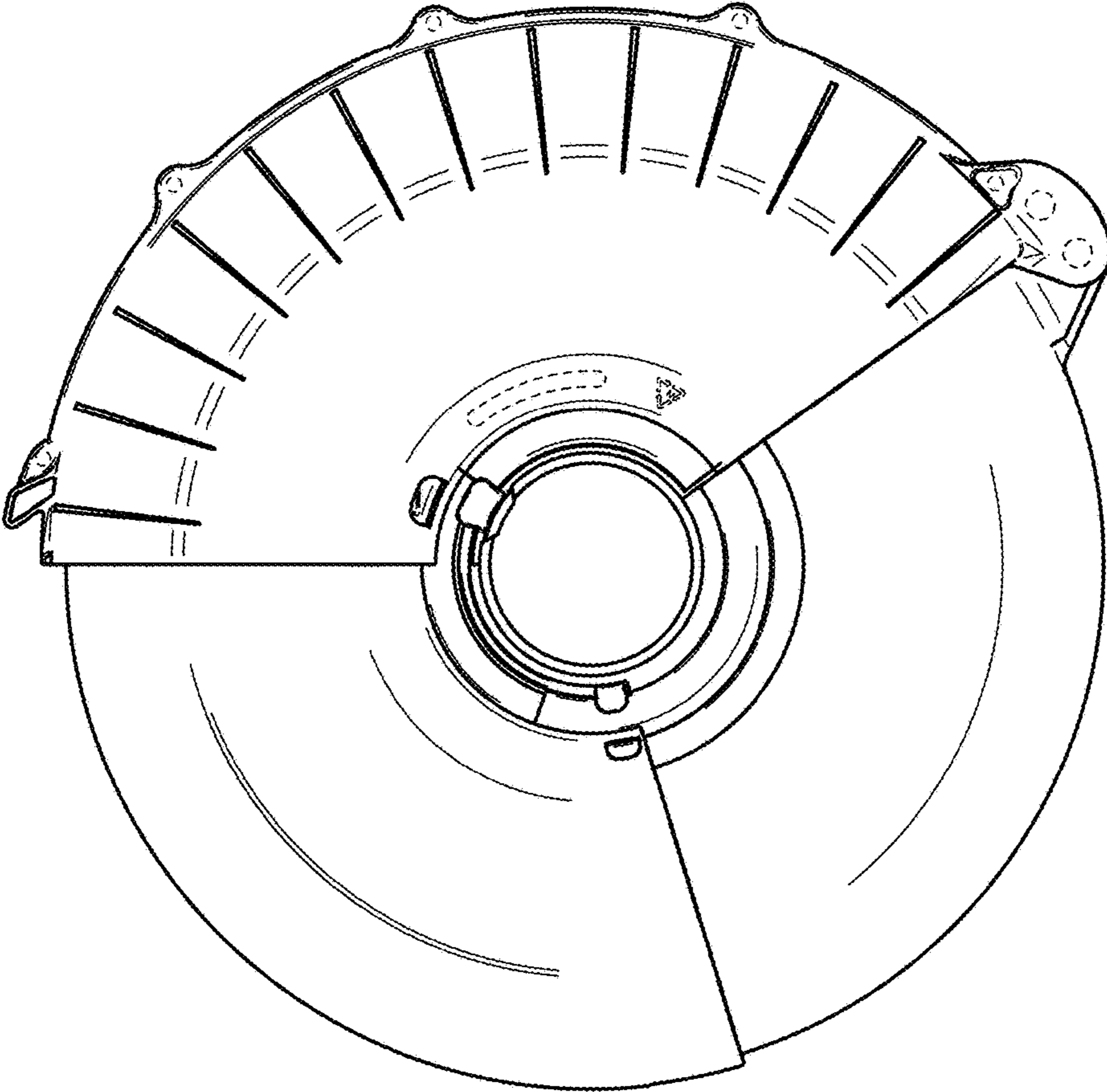
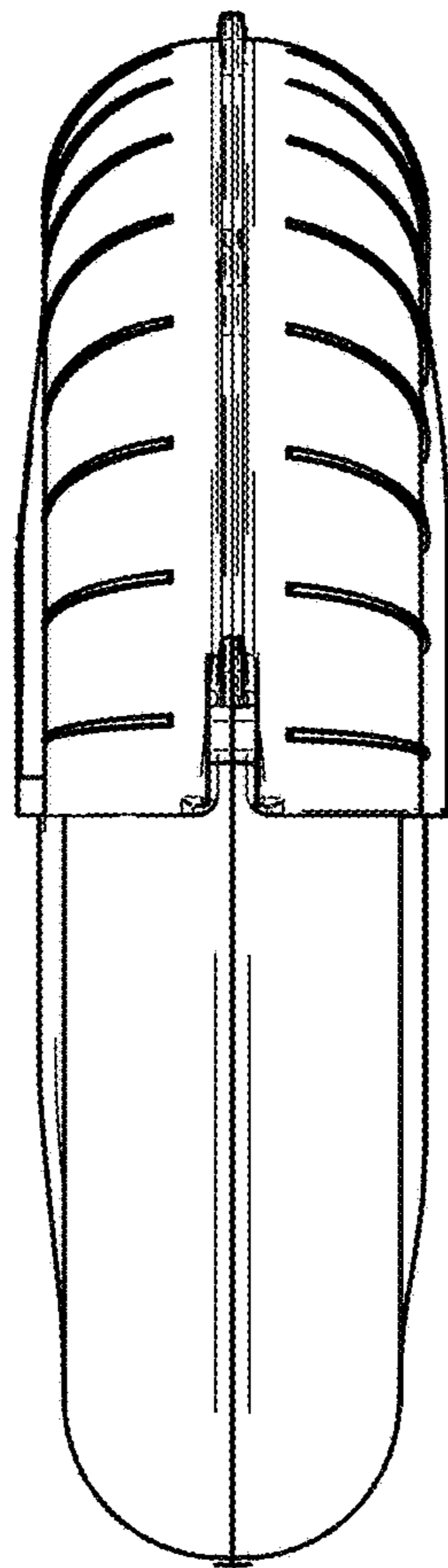


FIG. 4



**FIG. 5**

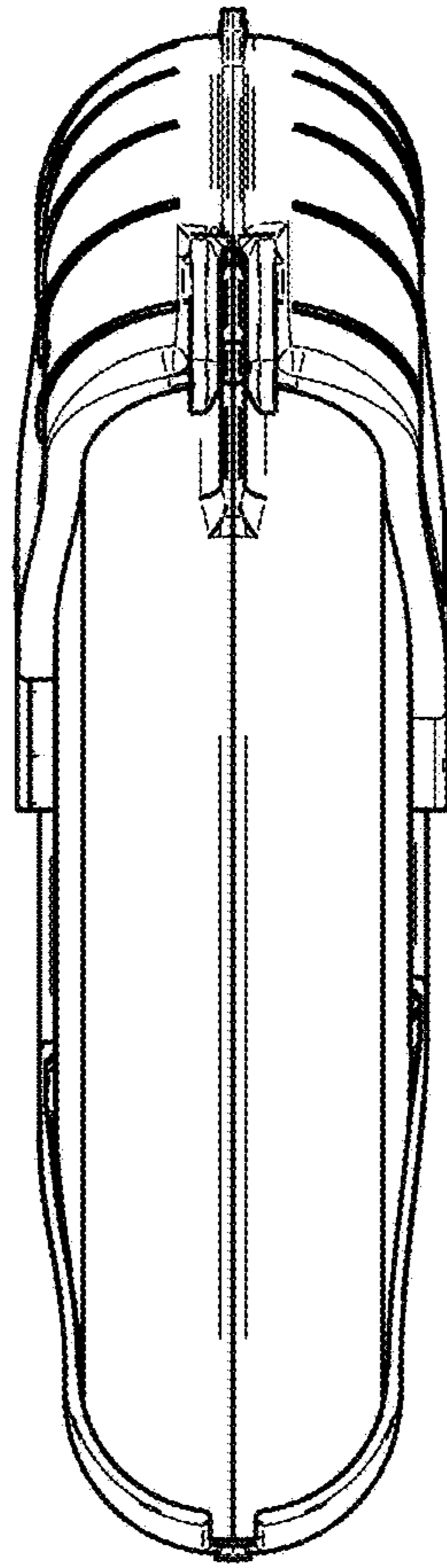


FIG. 6



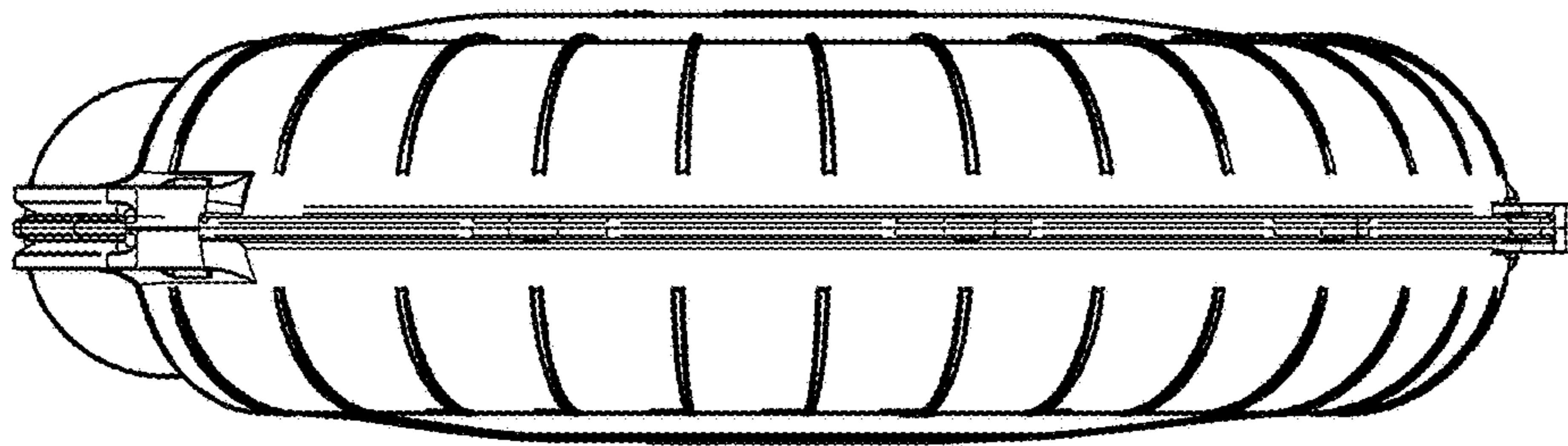


FIG. 7

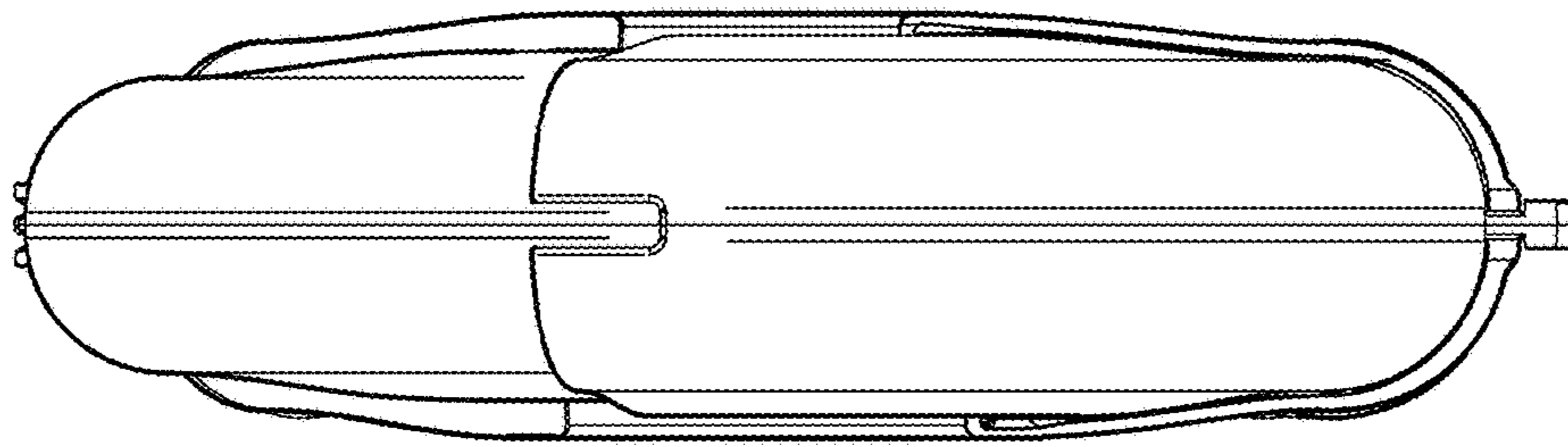


FIG. 8