



US00D860400S

(12) **United States Design Patent**
Diefenbach et al.

(10) **Patent No.:** **US D860,400 S**

(45) **Date of Patent:** **** Sep. 17, 2019**

(54) **FAUCET**

(71) Applicant: **Hansgrohe SE**, Schiltach (DE)

(72) Inventors: **Andreas Diefenbach**,
Ludwigsburg-Oßweil (DE); **Tom**
Schoenherr, Stuttgart (DE)

(73) Assignee: **Hansgrohe SE**, Schiltach (DE)

(**) Term: **15 Years**

(21) Appl. No.: **29/653,634**

(22) Filed: **Jun. 18, 2018**

(30) **Foreign Application Priority Data**

Dec. 18, 2017 (EM) 004554657-0007

(51) **LOC (12) Cl.** **23-01**

(52) **U.S. Cl.**
USPC **D23/242**

(58) **Field of Classification Search**
USPC D23/238–243, 249, 255, 257, 250, 252,
D23/254, 213; D8/307–308, 353
CPC E03C 1/0412; E03C 1/0409
See application file for complete search history.

(56) **References Cited**

U.S. PATENT DOCUMENTS

D312,496 S * 11/1990 Strignano D23/242
D313,065 S * 12/1990 Strignano D23/242
D522,092 S * 5/2006 Hoernig D23/238
D584,793 S * 1/2009 Sieger D23/213
D601,227 S * 9/2009 Sieger D23/242
D608,419 S * 1/2010 Kohler, Jr. D23/255

D625,393 S * 10/2010 Sieger D23/242
D645,941 S * 9/2011 Ando D23/242
D648,828 S * 11/2011 Meyer D23/252
D800,263 S * 10/2017 Andrew D23/239
D803,356 S * 11/2017 Lucchese D23/238
D811,536 S * 2/2018 Schoenherr D23/242

FOREIGN PATENT DOCUMENTS

CN 302011635 S 7/2012
EM 003180363-0043 6/2016

OTHER PUBLICATIONS

Catalog, Toto 2012/2013 Faucets/Accessories Catalogue, 6 pgs.,
Toto, Kitakyushu, Japan, at least as early as May 23, 2012.

* cited by examiner

Primary Examiner — Robert A Delehanty

(74) *Attorney, Agent, or Firm* — Lora J. Graentzdoerffer

(57) **CLAIM**

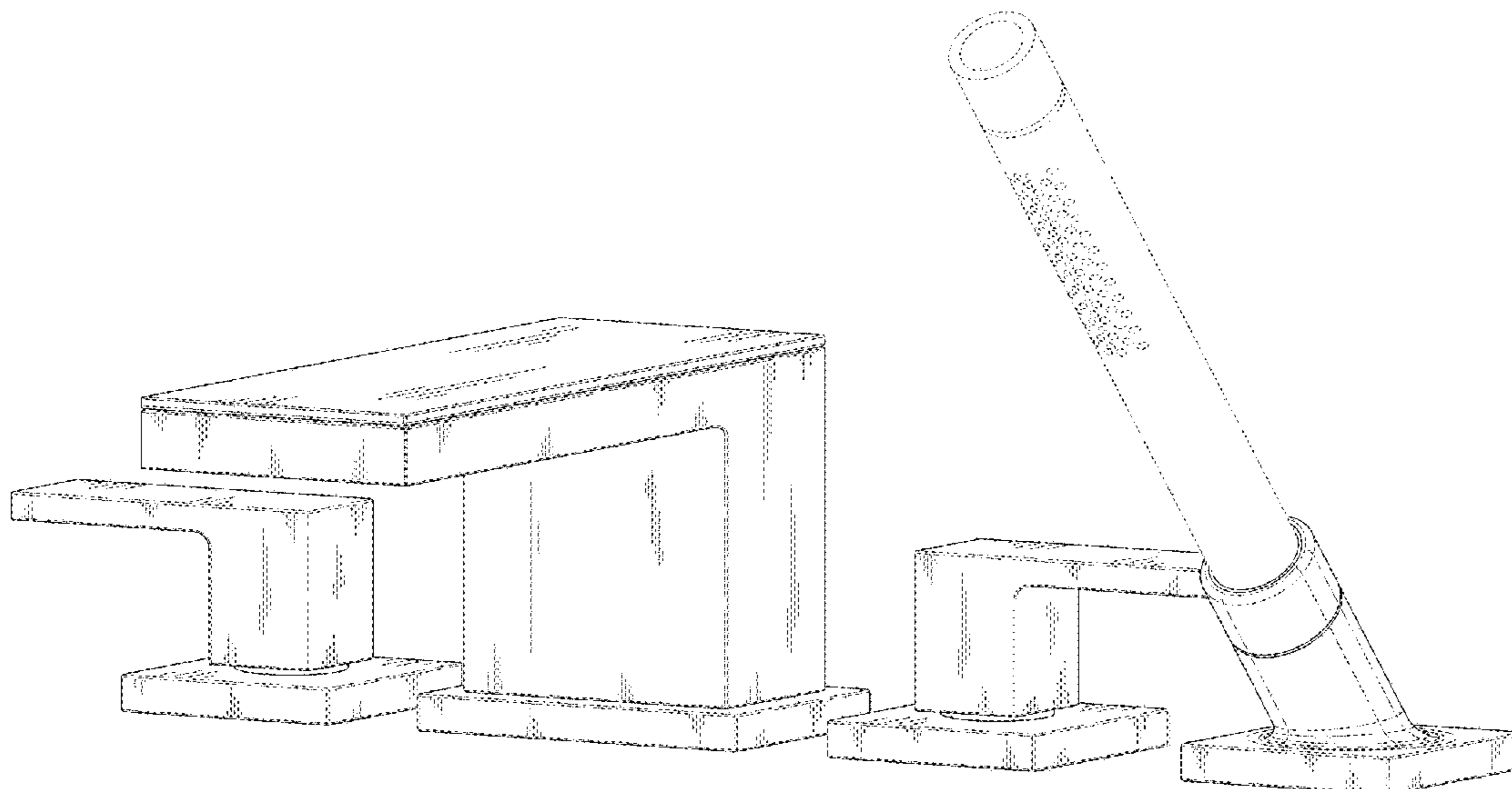
The ornamental design for a faucet, as shown and described.

DESCRIPTION

FIG. 1 is a perspective view of a faucet showing our design;
FIG. 2 is a front elevation view;
FIG. 3 is a rear elevation view;
FIG. 4 is a right side elevation view;
FIG. 5 is a left side elevation view;
FIG. 6 is a top plan view; and,
FIG. 7 is a bottom plan view.

The broken-line disclosures in the view represents portions
of the faucet in which the claimed design is embodied, but
which forms no part of the claimed design.

1 Claim, 7 Drawing Sheets



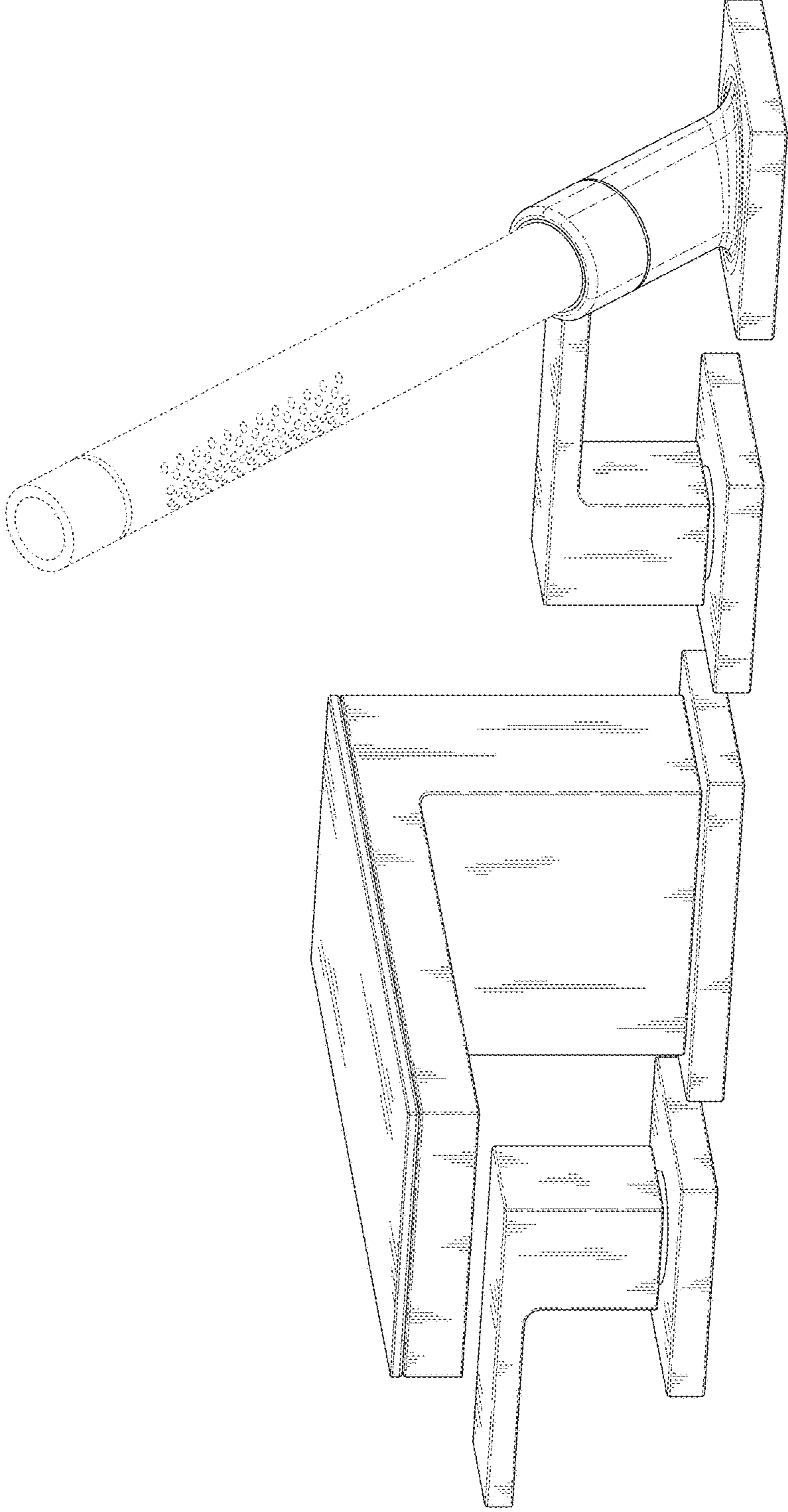


FIG. 1

FIG. 2

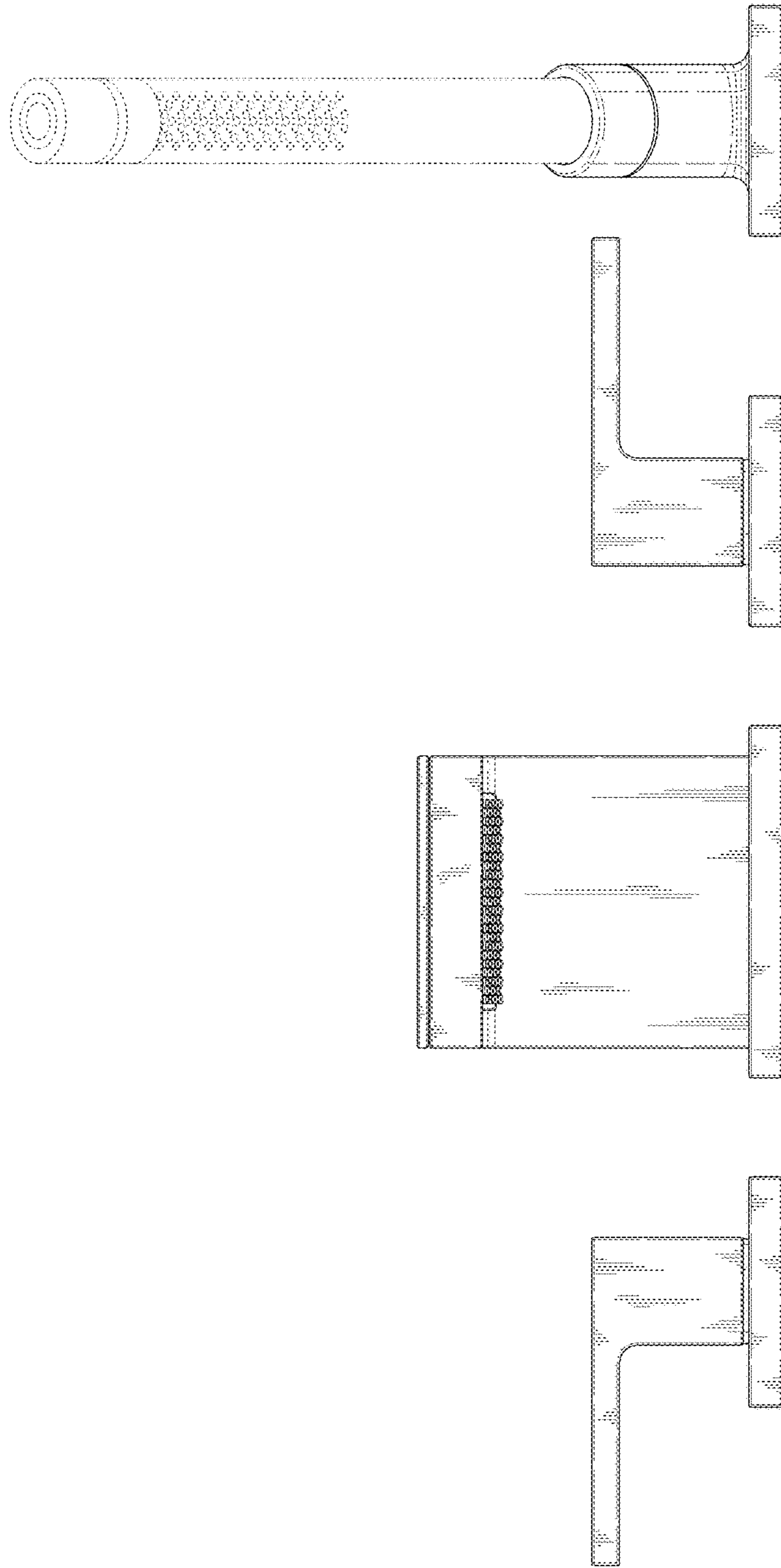


FIG. 3

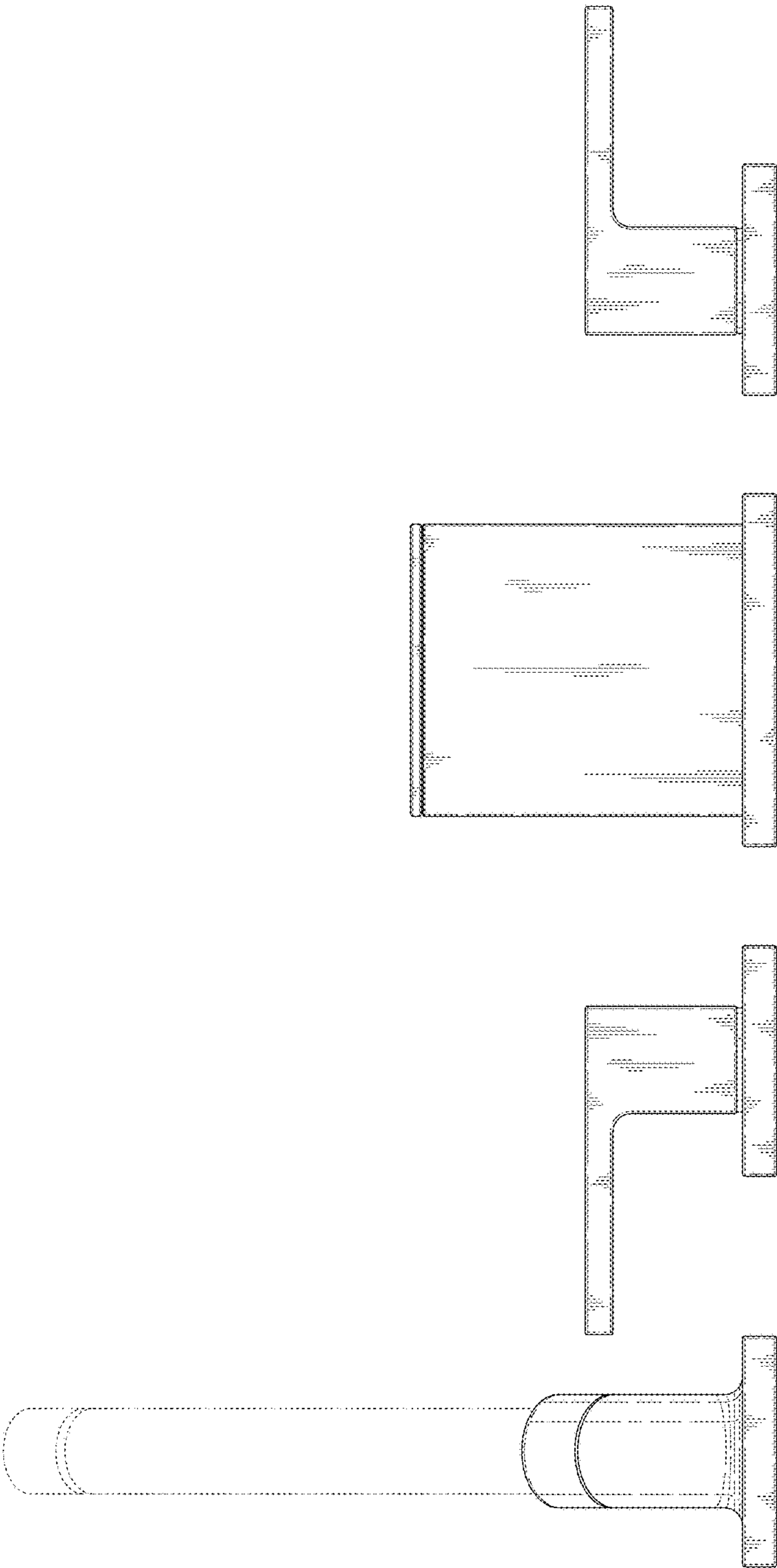


FIG. 4

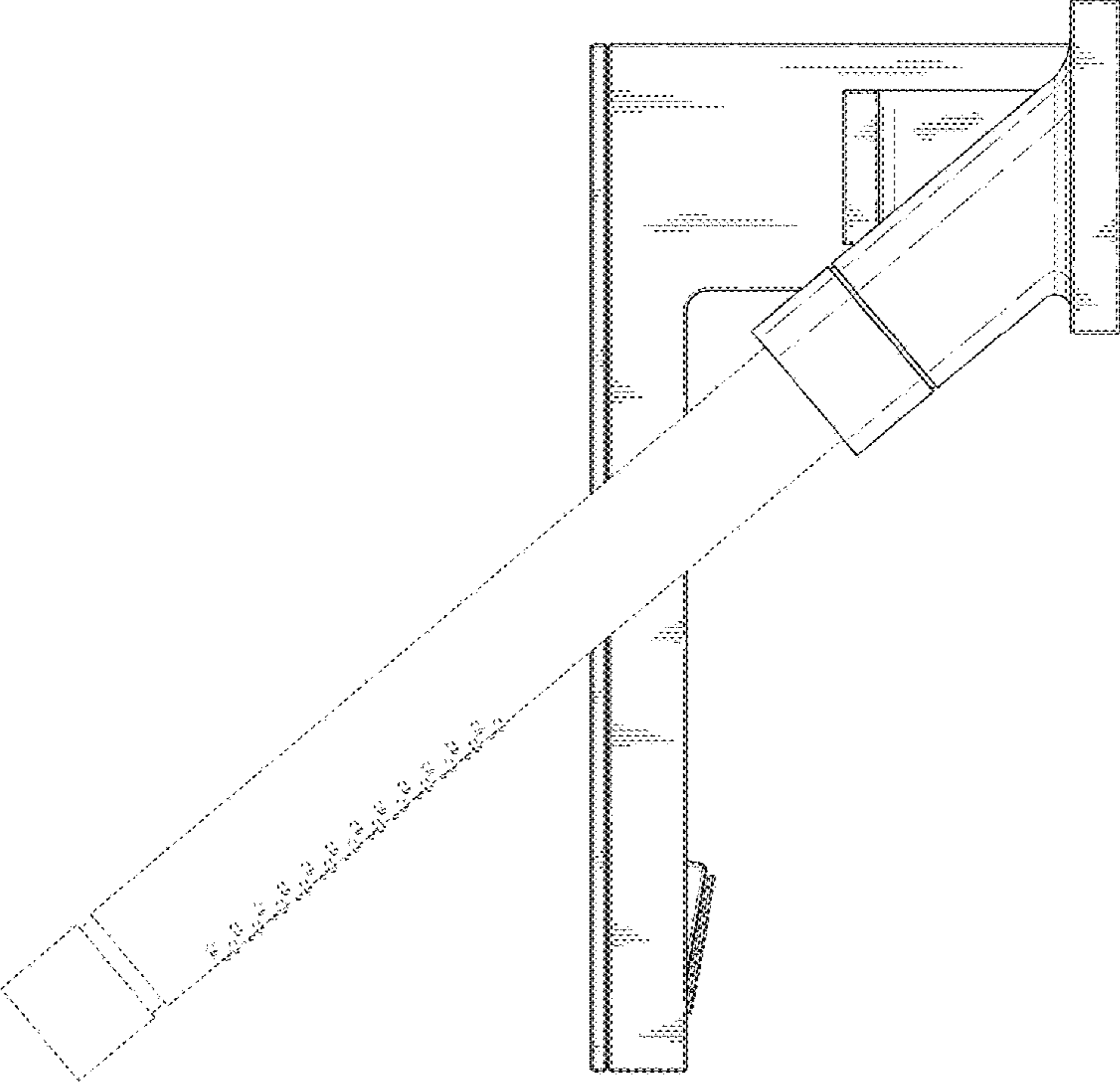
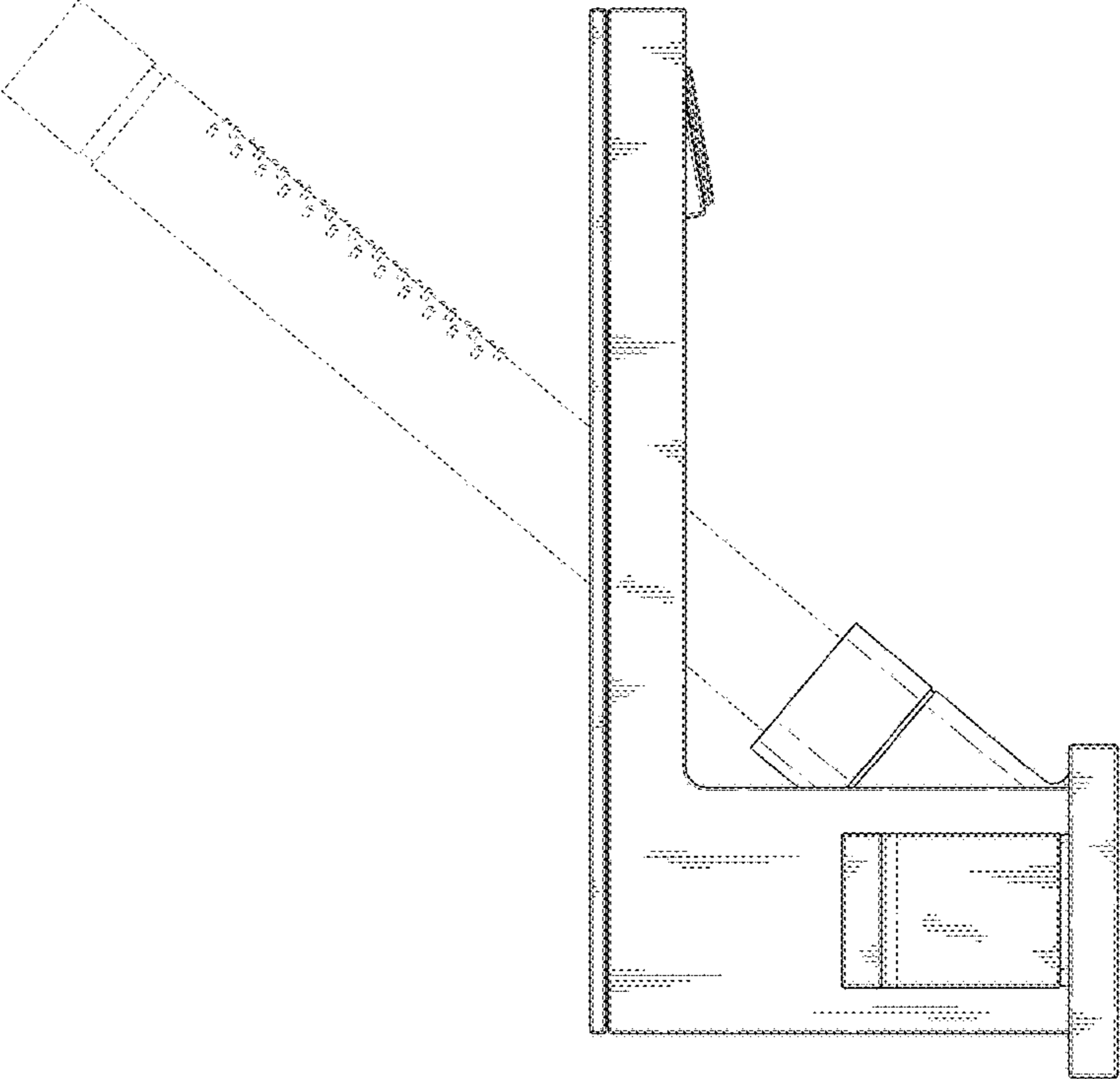


FIG. 5



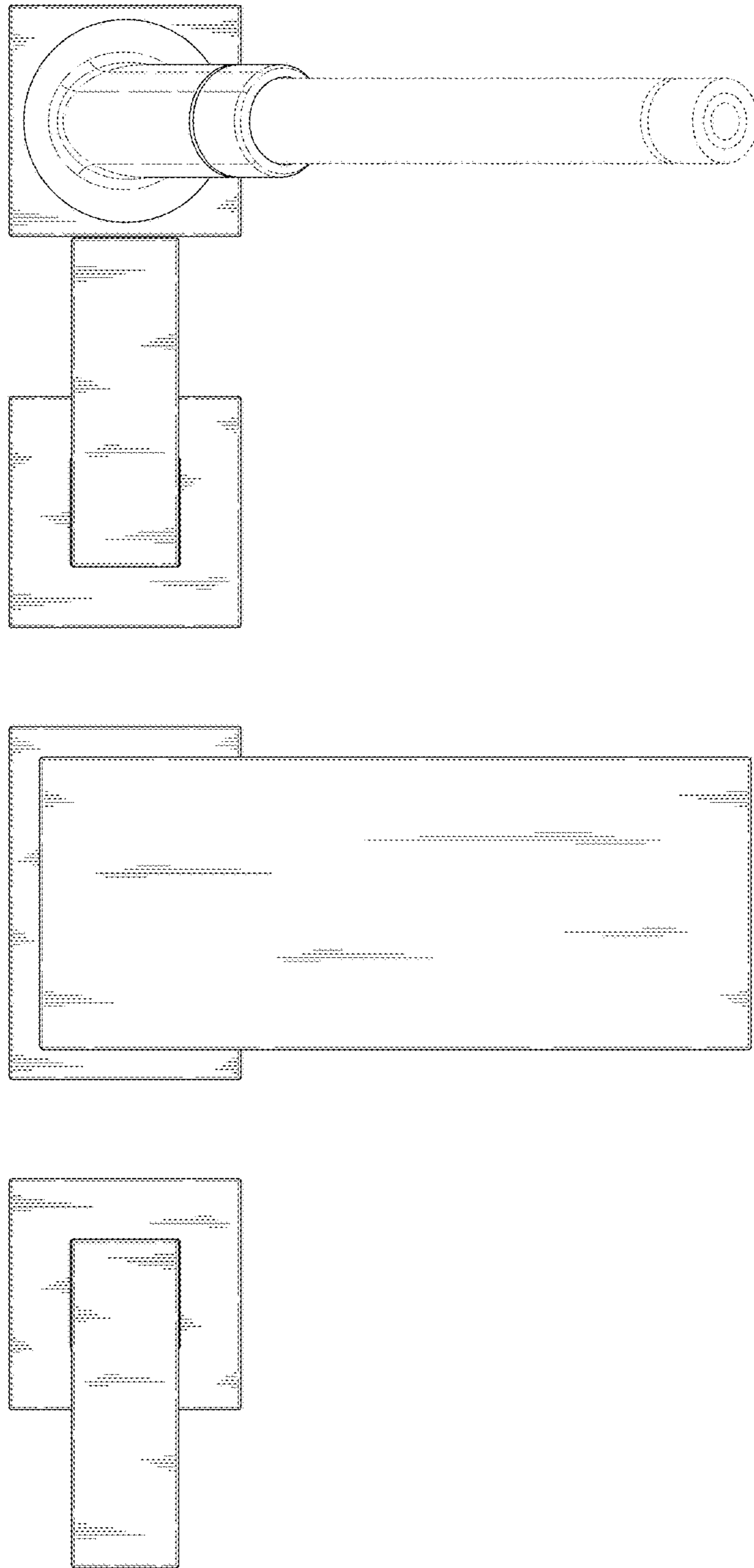


FIG. 6

FIG. 7

