

US00D860399S

(12) **United States Design Patent** (10) **Patent No.:** **US D860,399 S**
Seum et al. (45) **Date of Patent:** **** *Sep. 17, 2019**

(54) **FAUCET**

(71) Applicant: **GROHE AG**, Hemer (DE)

(72) Inventors: **Michael Seum**, Duesseldorf (DE);
Jung-Beom Han, Duesseldorf (DE)

(73) Assignee: **GROHE AG**, Hemer (DE)

(*) Notice: This patent is subject to a terminal disclaimer.

(**) Term: **15 Years**

(21) Appl. No.: **29/634,301**

(22) Filed: **Jan. 19, 2018**

(30) **Foreign Application Priority Data**

Jul. 20, 2017 (EM) 004112647-0002

(51) **LOC (12) Cl.** **23-01**

(52) **U.S. Cl.**
USPC **D23/242; D23/253**

(58) **Field of Classification Search**
USPC D23/238-243, 245, 249-250, 253, 255,
D23/257; D8/300
CPC Y10T 137/9464; Y10T 137/6064; E03C
1/04; E03C 1/0404; E03C 1/0412; E03C
1/0409; E03C 1/042; E03C 1/02; E03C
2001/0414

See application file for complete search history.

(56) **References Cited**

U.S. PATENT DOCUMENTS

D157,757 S *	3/1950	Hamer	D23/245
D436,653 S *	1/2001	Lefroy-Brooks	D23/253
D450,808 S *	11/2001	Gottwald	D23/253
D457,224 S *	5/2002	Gottwald	D23/241
D457,939 S *	5/2002	Gottwald	D23/238
D527,076 S *	8/2006	Kolin	D23/241
D635,647 S *	4/2011	Montgomery	D23/239

* cited by examiner

Primary Examiner — Robert A Delehanty

(74) *Attorney, Agent, or Firm* — Muncy, Geissler, Olds & Lowe, P.C.

(57) **CLAIM**

The ornamental design for a faucet, as shown and described.

DESCRIPTION

FIG. 1 is a front perspective view of a faucet according to the present invention.

FIG. 2 is a front view of the faucet of FIG. 1.

FIG. 3 is a rear view of the faucet of FIG. 1.

FIG. 4 is a left side view of the faucet of FIG. 1.

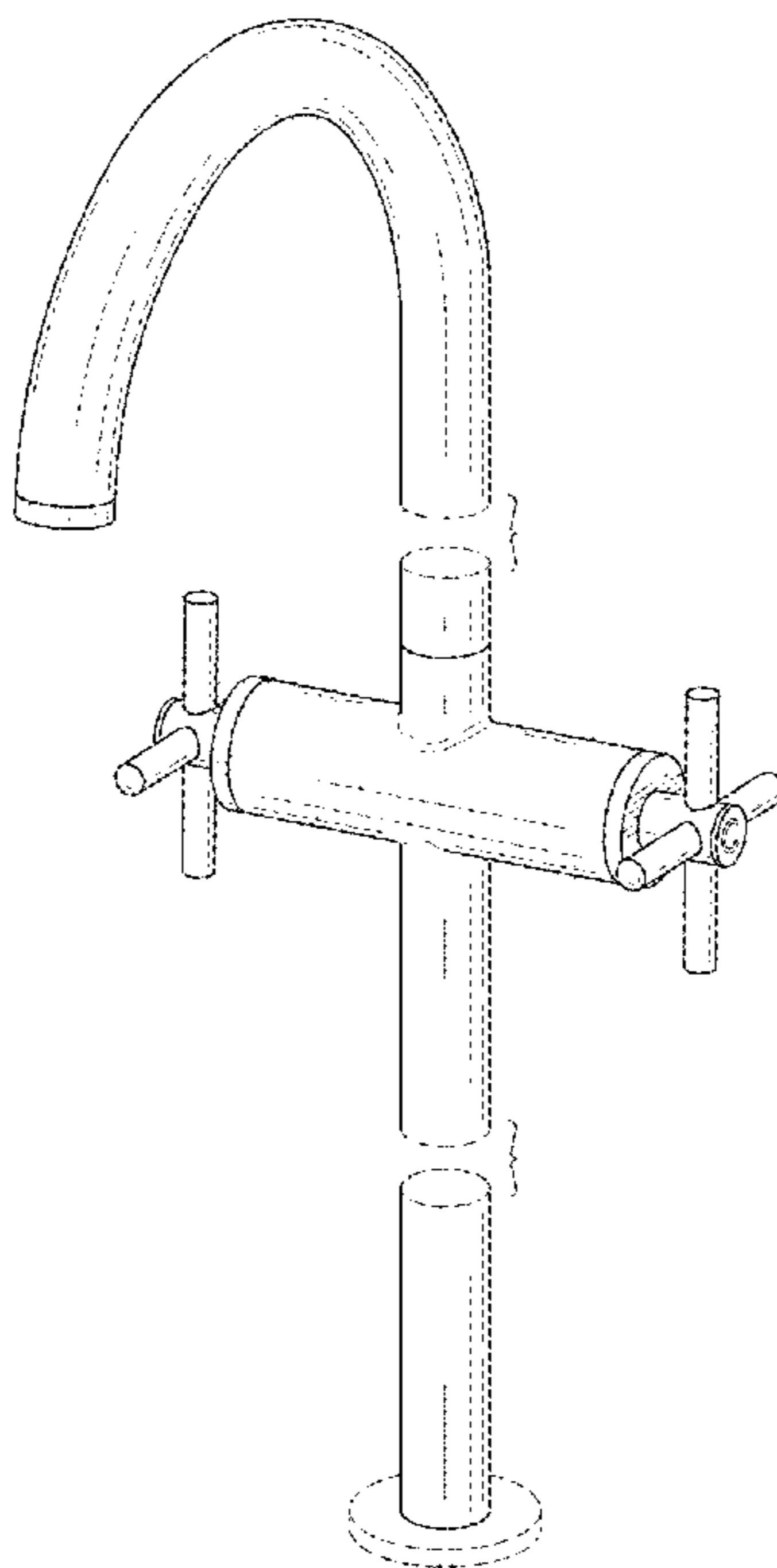
FIG. 5 is a right side view of the faucet of FIG. 1.

FIG. 6 is a top view of the faucet of FIG. 1; and,

FIG. 7 is a bottom view of the faucet of FIG. 1.

The dashed lines illustrate environment that does not form a part of the present invention, and no claim is made to the material illustrated with dashed lines. The appearance of any portion of the article between the broken away symbols forms no part of the claimed design.

1 Claim, 7 Drawing Sheets



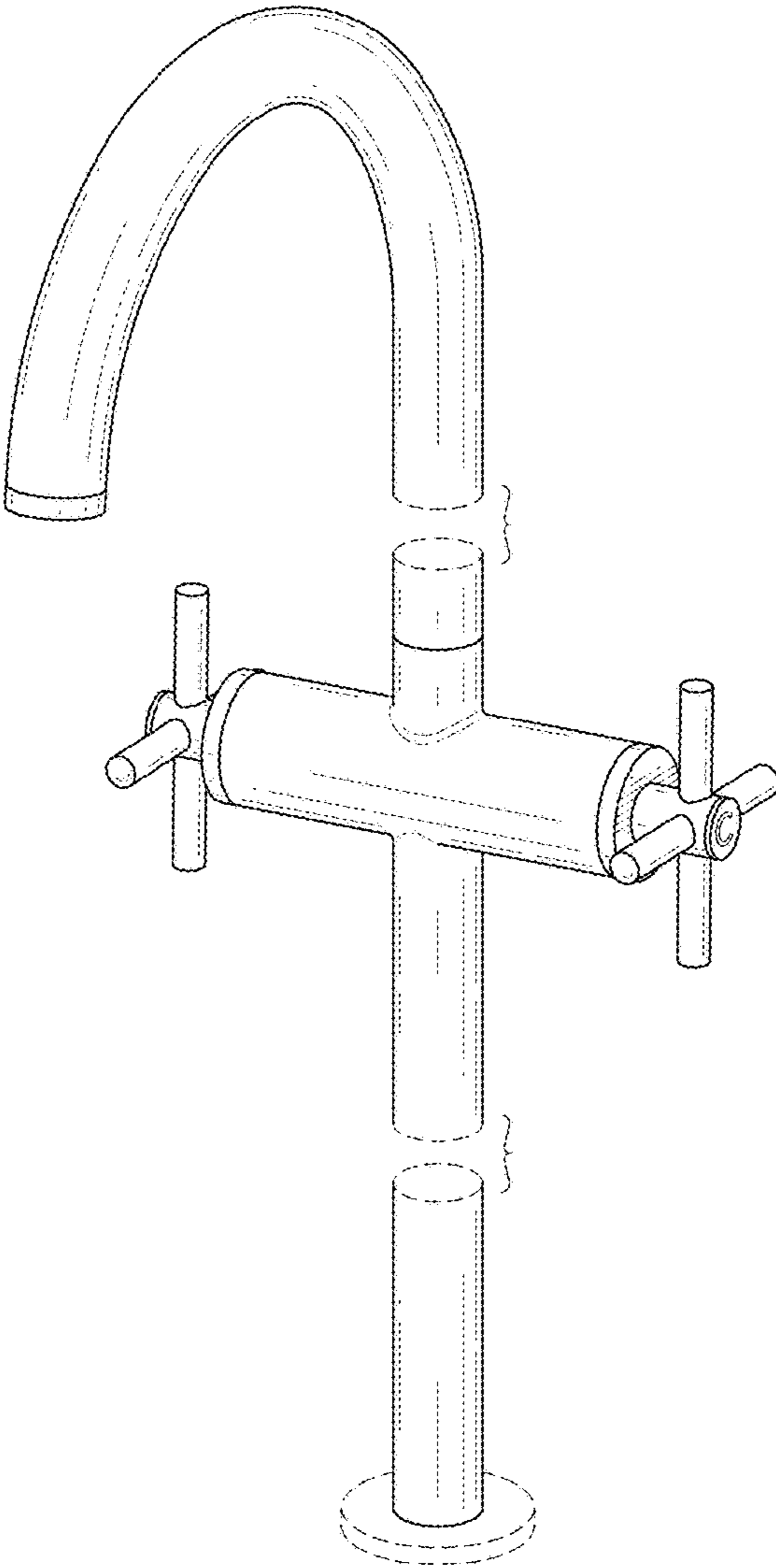


FIG. 1

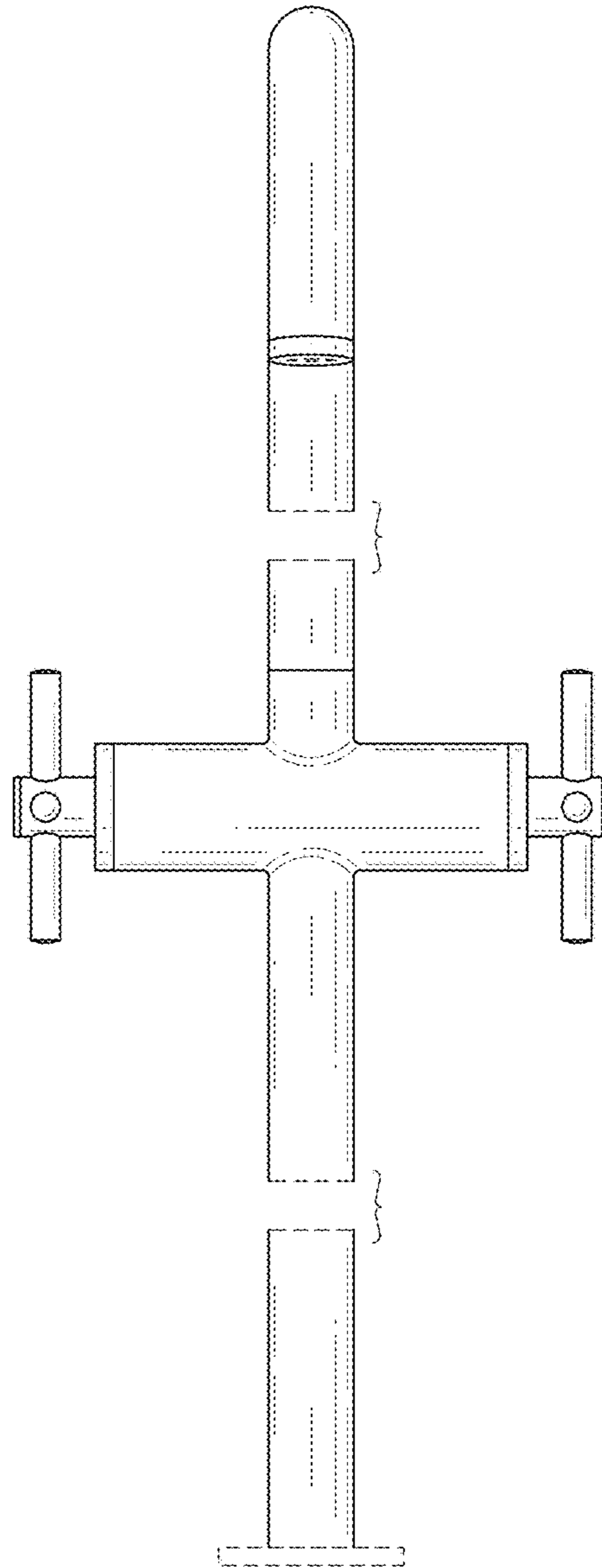


FIG.2

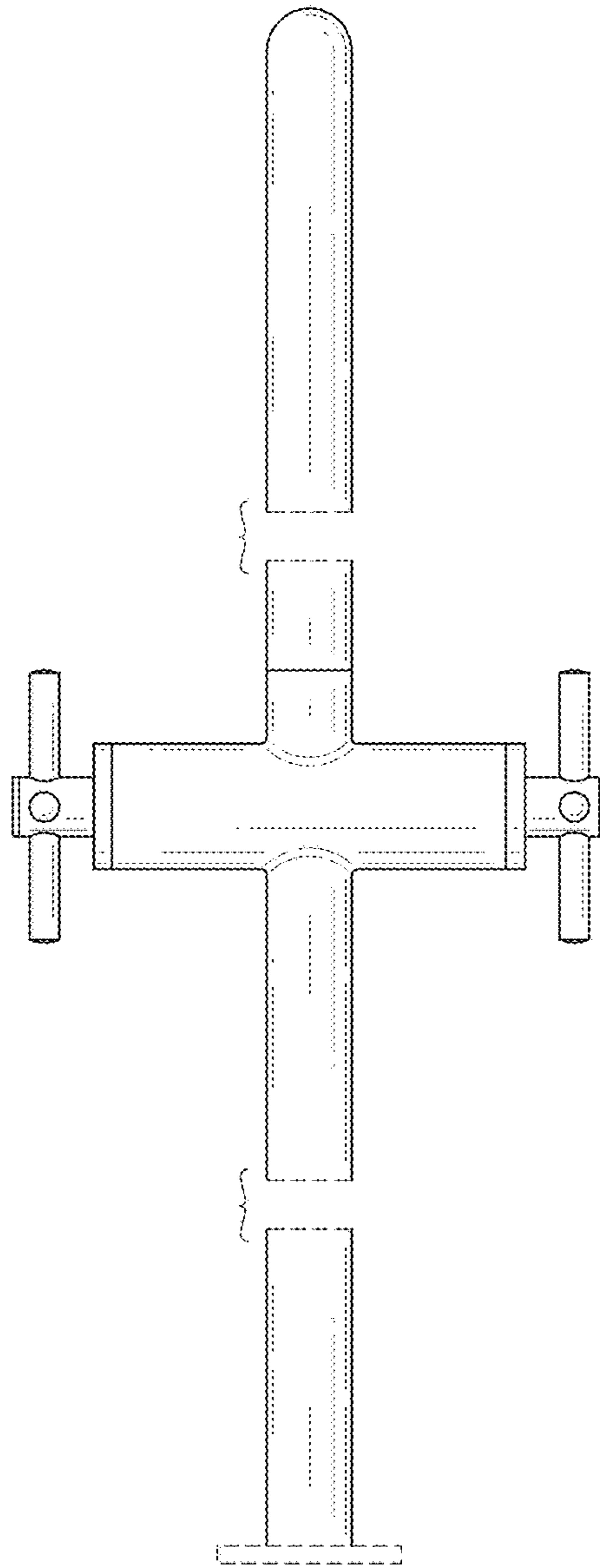


FIG.3

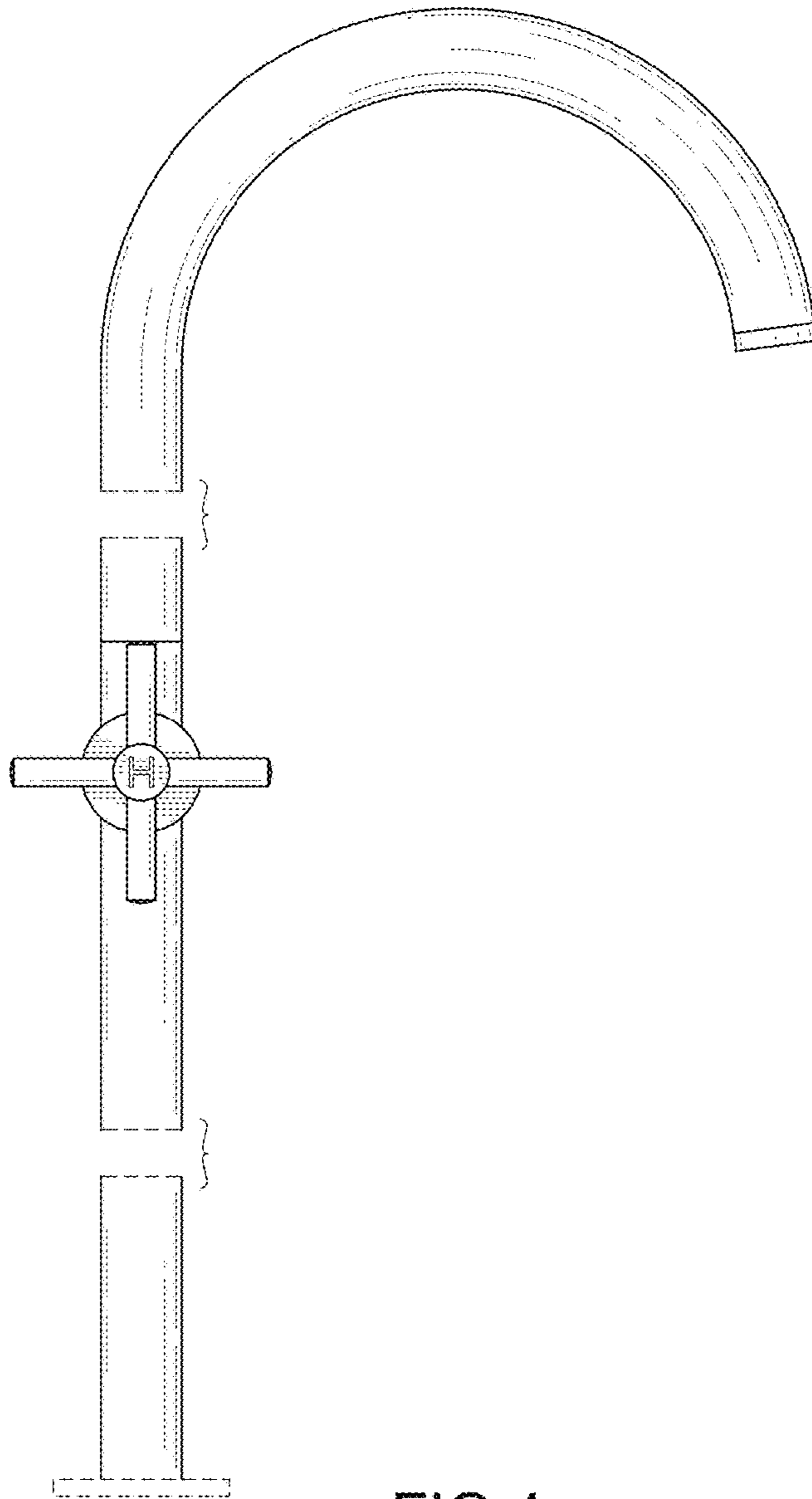


FIG.4

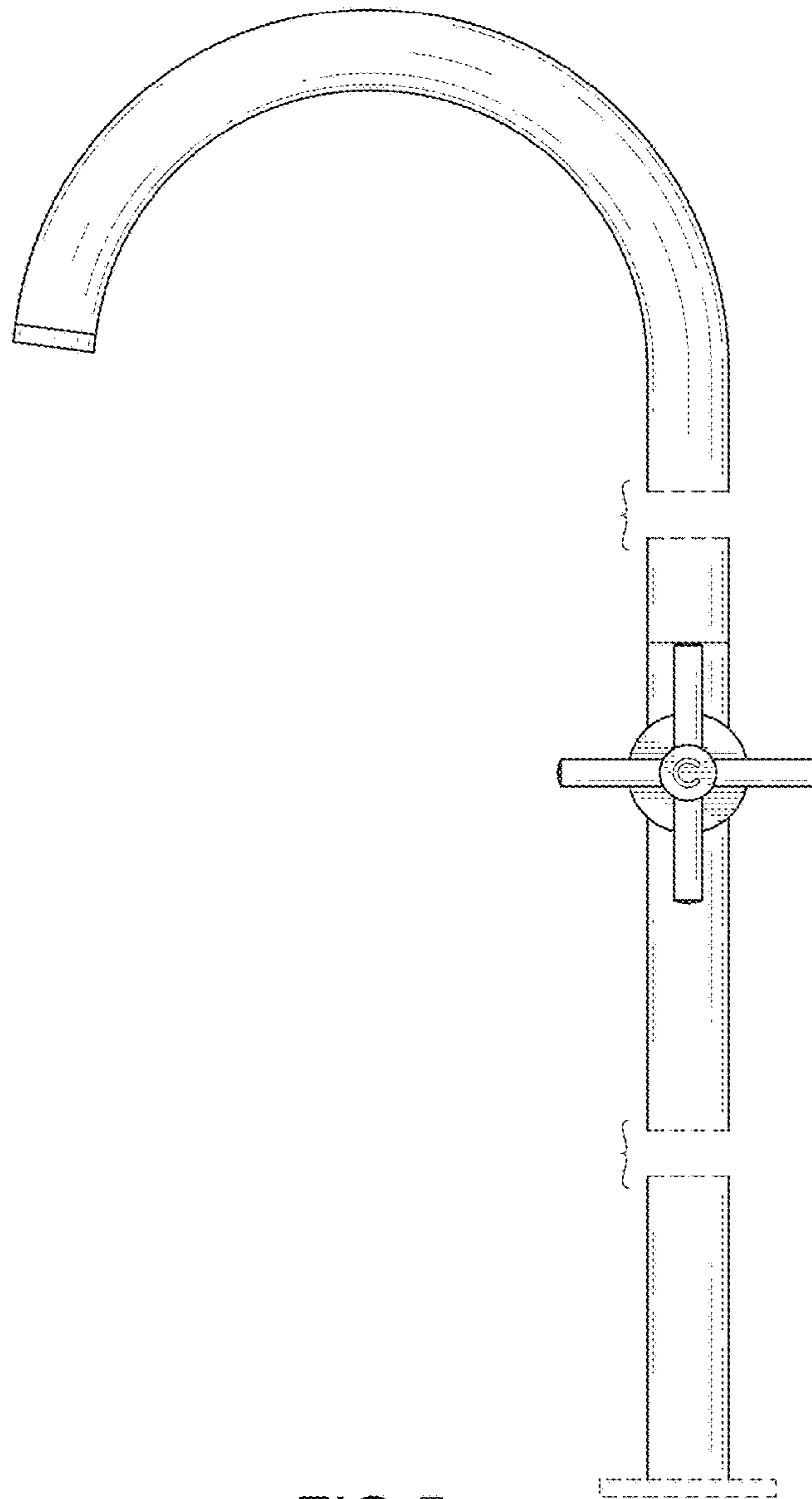


FIG.5

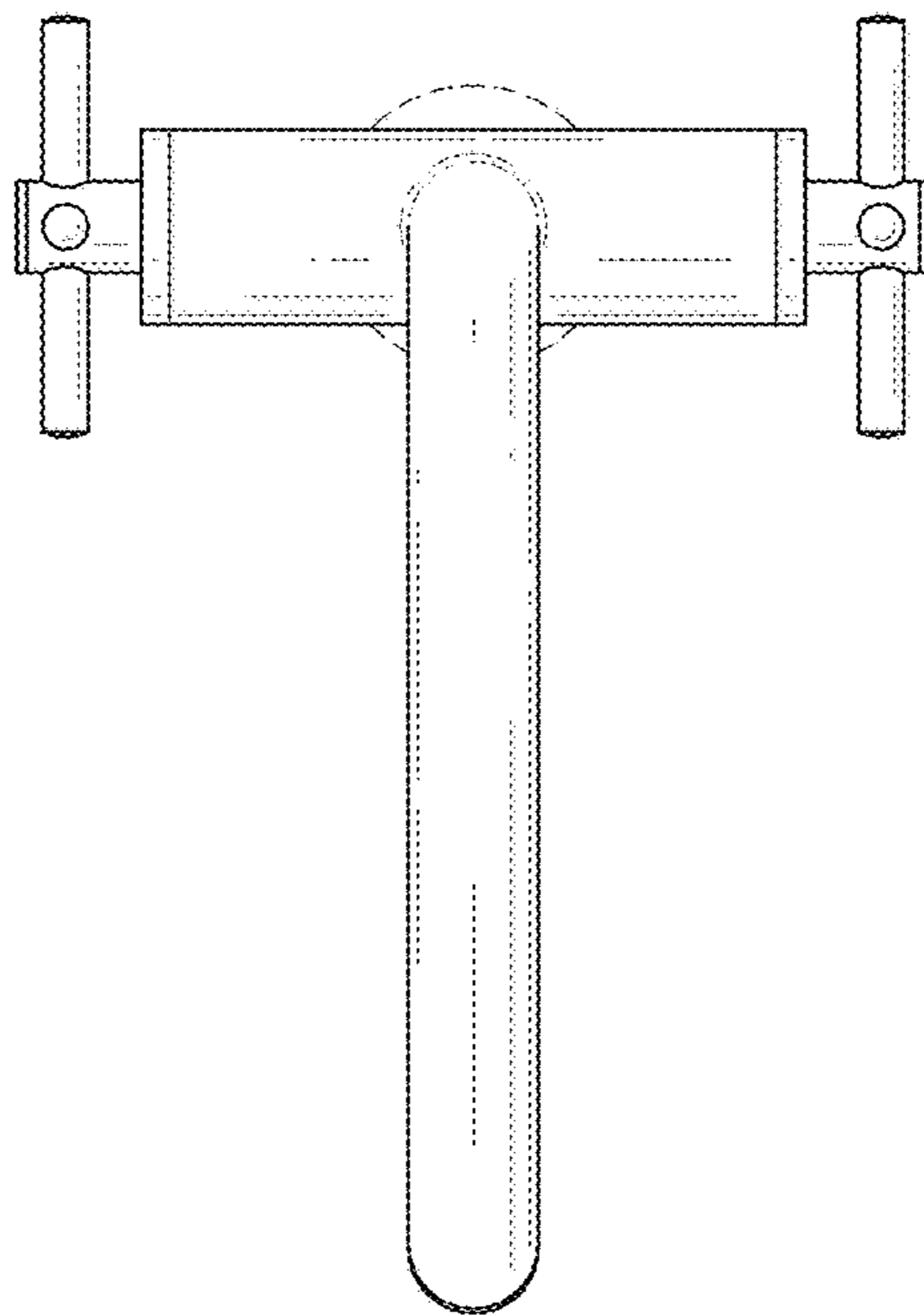


FIG.6

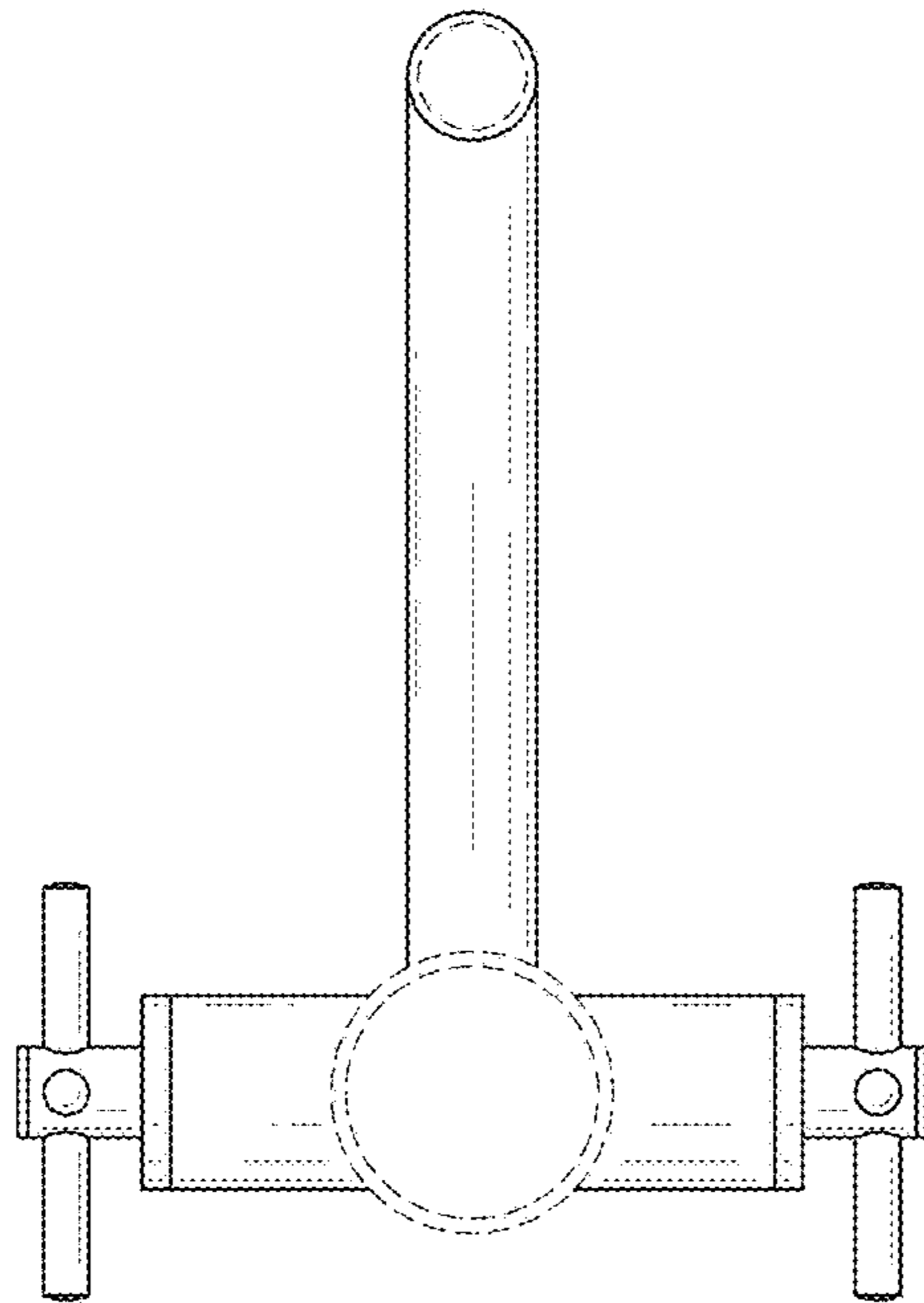


FIG. 7