

US00D860398S

(12) **United States Design Patent**
Chen

(10) **Patent No.:** **US D860,398 S**

(45) **Date of Patent:** **** Sep. 17, 2019**

(54) **FAUCET**

(71) Applicant: **Yun Chen**, Ruian (CN)

(72) Inventor: **Yun Chen**, Ruian (CN)

(**) Term: **15 Years**

(21) Appl. No.: **29/663,504**

(22) Filed: **Sep. 17, 2018**

(51) **LOC (12) Cl.** **23-01**

(52) **U.S. Cl.**
USPC **D23/238**

(58) **Field of Classification Search**
USPC D23/238–243, 249, 255, 257, 250, 252,
D23/254, 213, 223, 226; D8/307–308
CPC E03C 1/0412
See application file for complete search history.

(56) **References Cited**

U.S. PATENT DOCUMENTS

D441,058 S *	4/2001	Fleischmann	D23/252
D564,074 S *	3/2008	Zhang	D23/238
D583,015 S *	12/2008	Soriano	D23/249
7,699,241 B2 *	4/2010	Benstead	E03C 1/0404 239/1
D683,825 S *	6/2013	Sofield	D23/255
D685,878 S *	7/2013	Fritz	D23/238

D719,642 S *	12/2014	Kim	D23/249
D754,820 S *	4/2016	Bahler	D23/238
D828,907 S *	9/2018	Ceng	D23/238
10,183,871 B2 *	1/2019	Ye	E03C 1/0412
D842,429 S *	3/2019	Huang	D23/213
10,260,215 B2 *	4/2019	Chen	E03C 1/0404

* cited by examiner

Primary Examiner — Robert A Delehanty
(74) *Attorney, Agent, or Firm* — ScienBiziP, P.C.

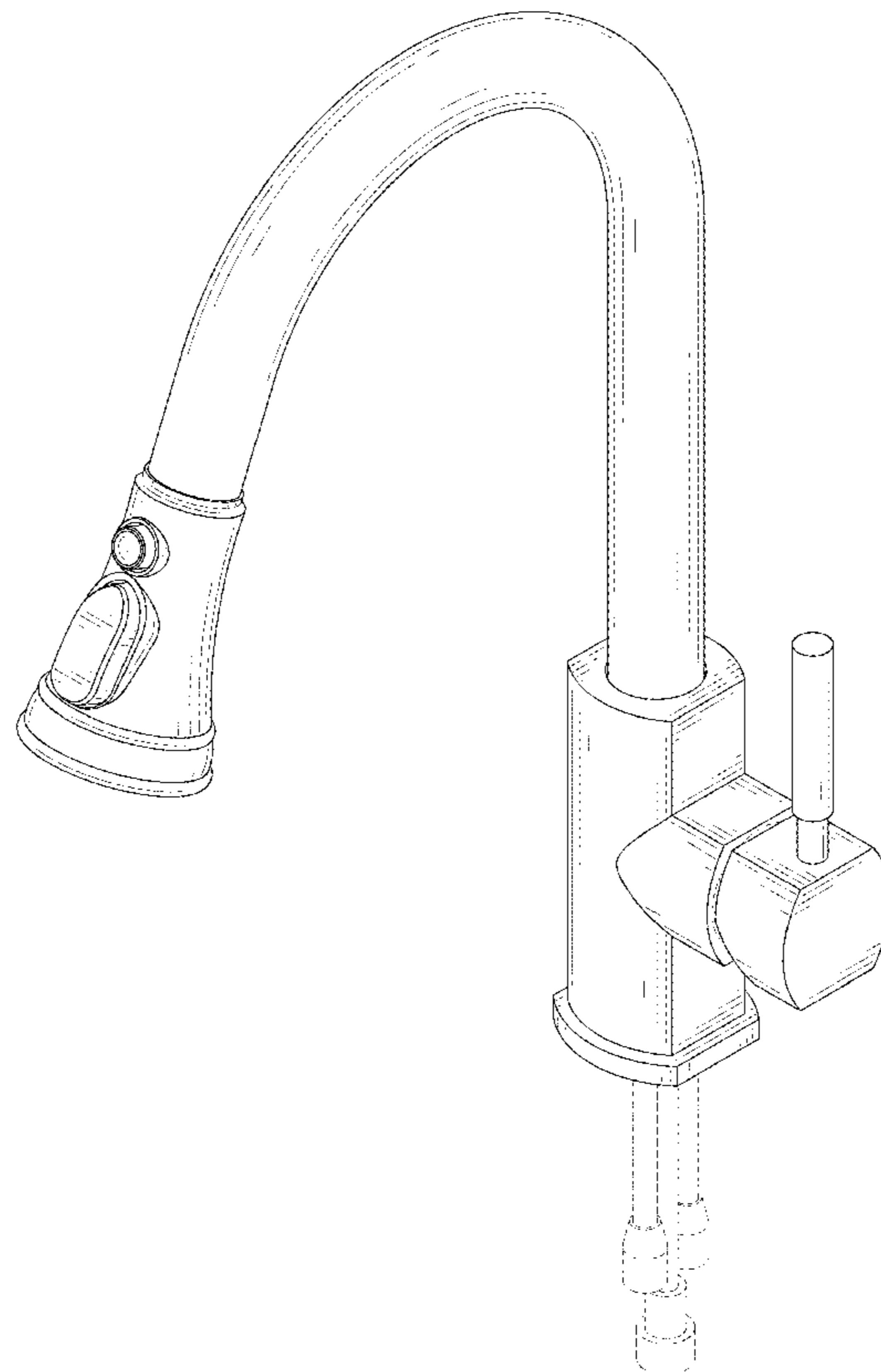
(57) **CLAIM**

The ornamental design for a faucet, as shown and described.

DESCRIPTION

FIG. 1 is a first perspective view of a faucet, showing the claimed new design;
FIG. 2 is a second perspective view thereof;
FIG. 3 is a front elevation view thereof;
FIG. 4 is a rear elevation view thereof;
FIG. 5 is a left side elevation view thereof;
FIG. 6 is a right side elevation view thereof;
FIG. 7 is a top plan view thereof;
FIG. 8 is a bottom plan view thereof;
FIG. 9 is a partial enlarged view of the faucet with a label number “9” in the FIG. 2; and,
FIG. 10 is a partial enlarged view of the faucet with a label number “10” in the FIG. 3.
The broken lines showing of are for the purpose of illustrating and form no part of the claimed design.

1 Claim, 10 Drawing Sheets



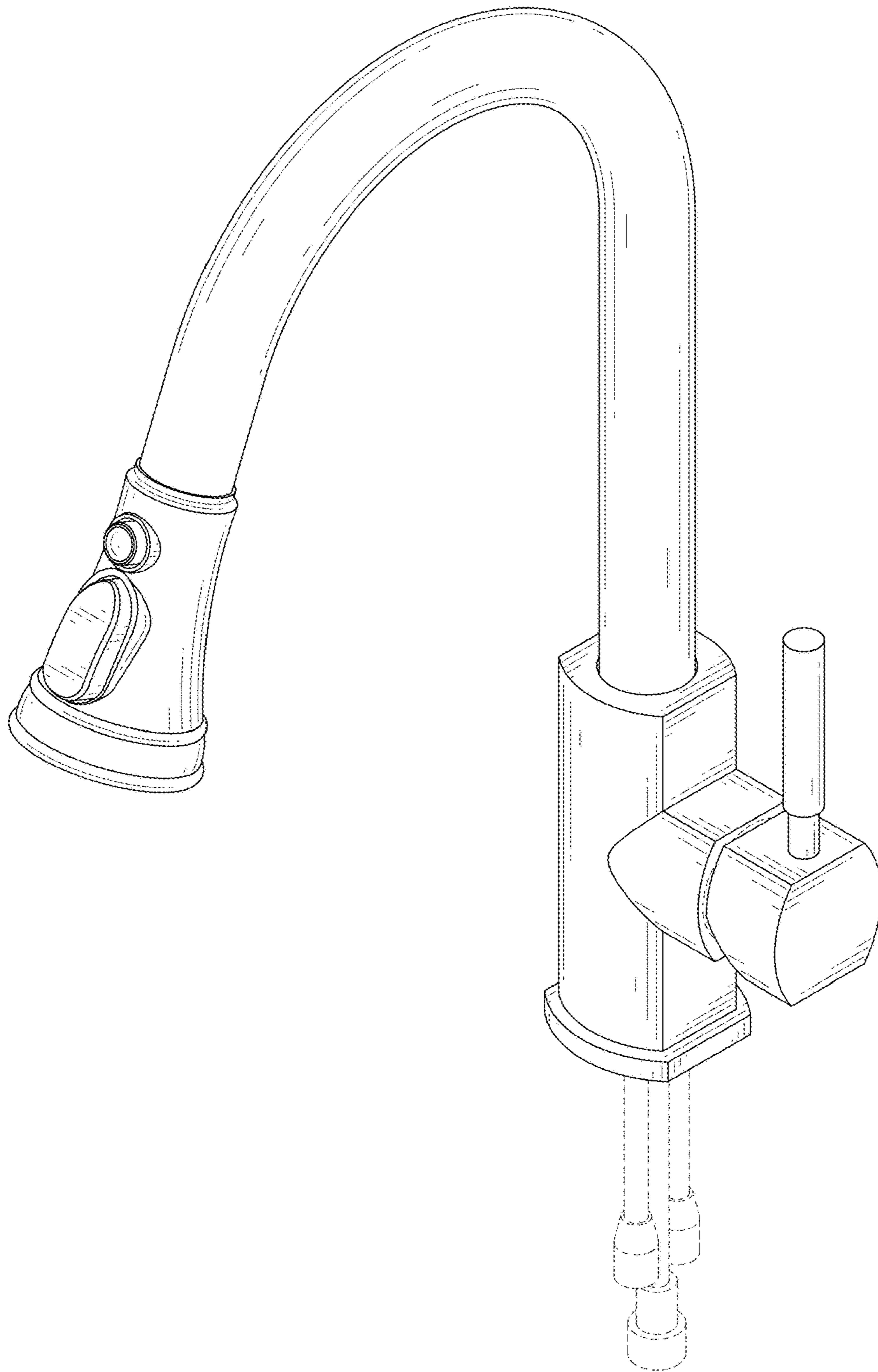


FIG. 1

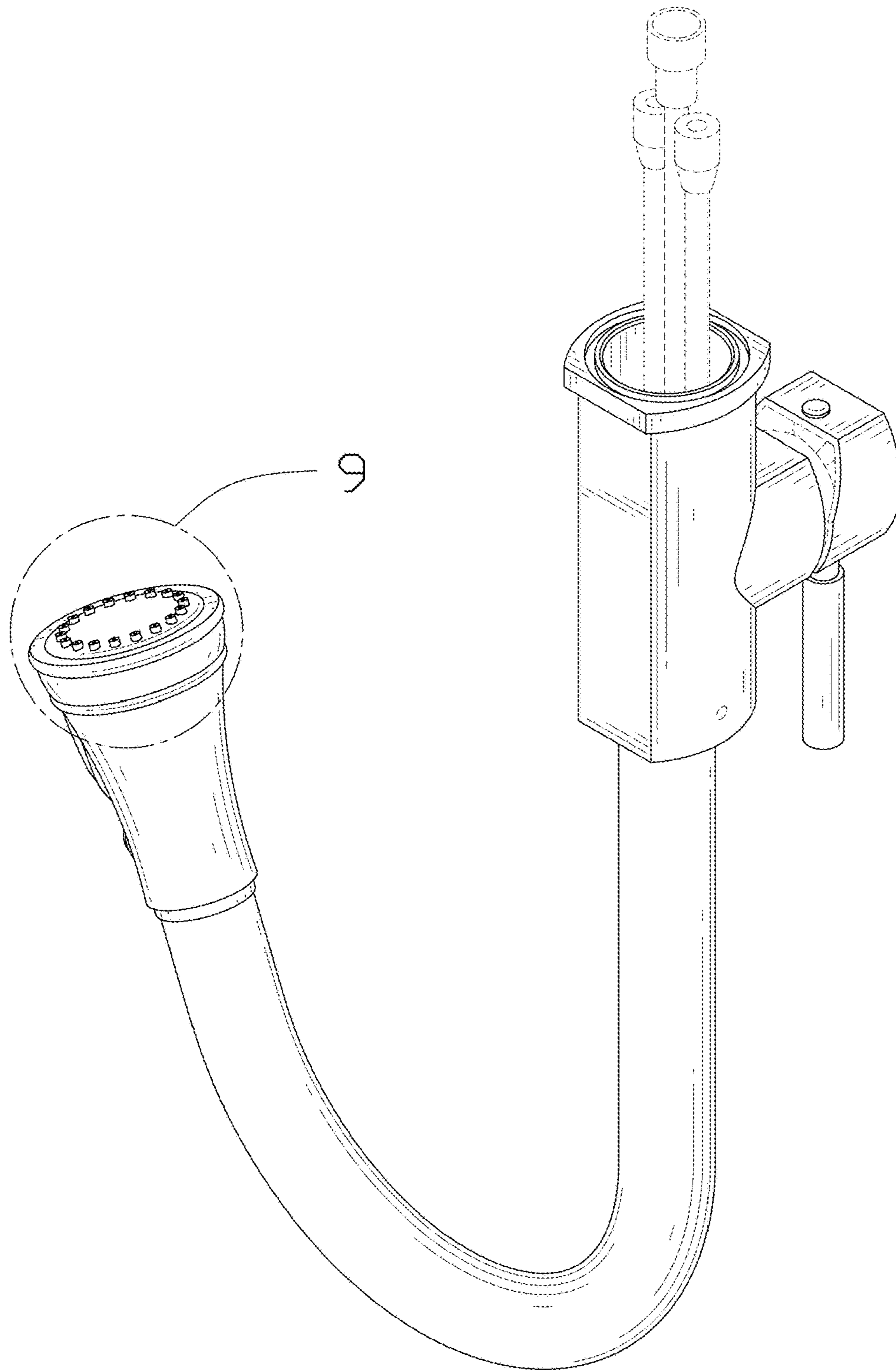


FIG. 2

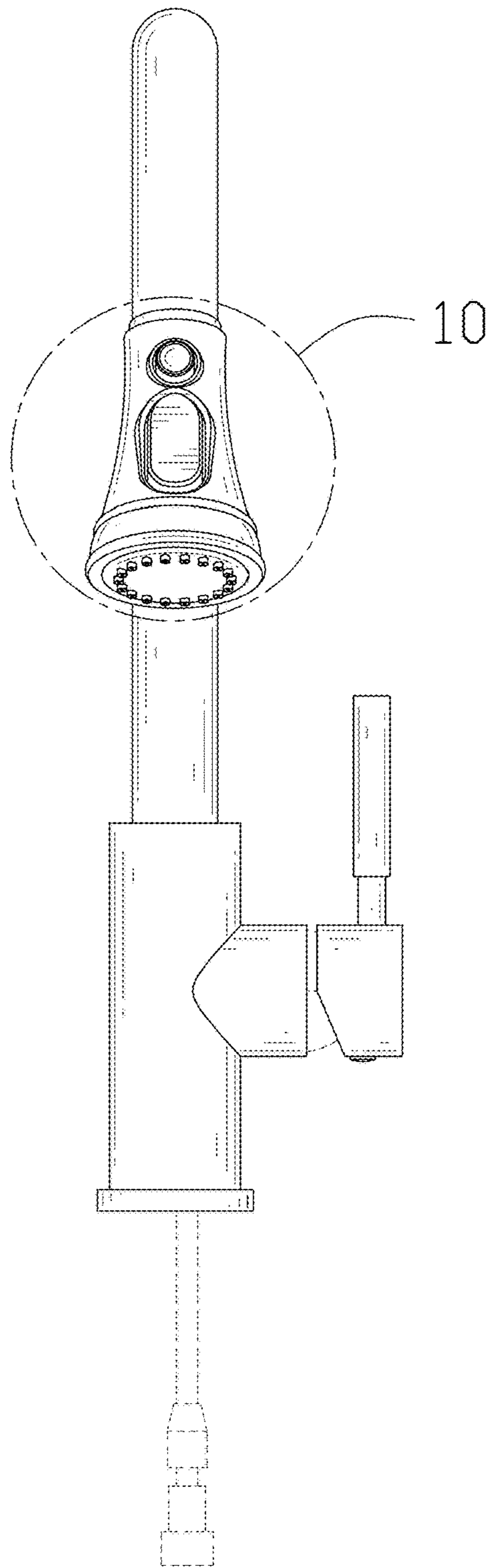


FIG. 3

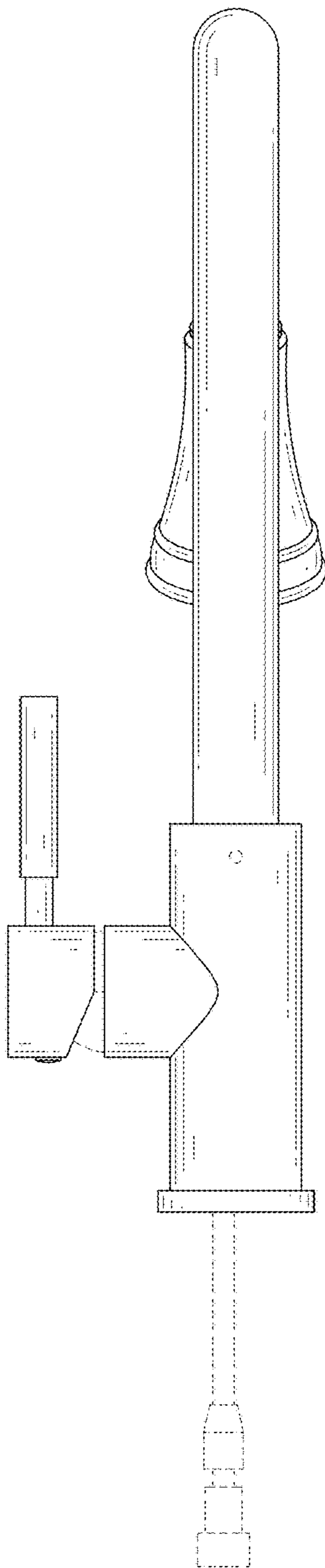


FIG. 4

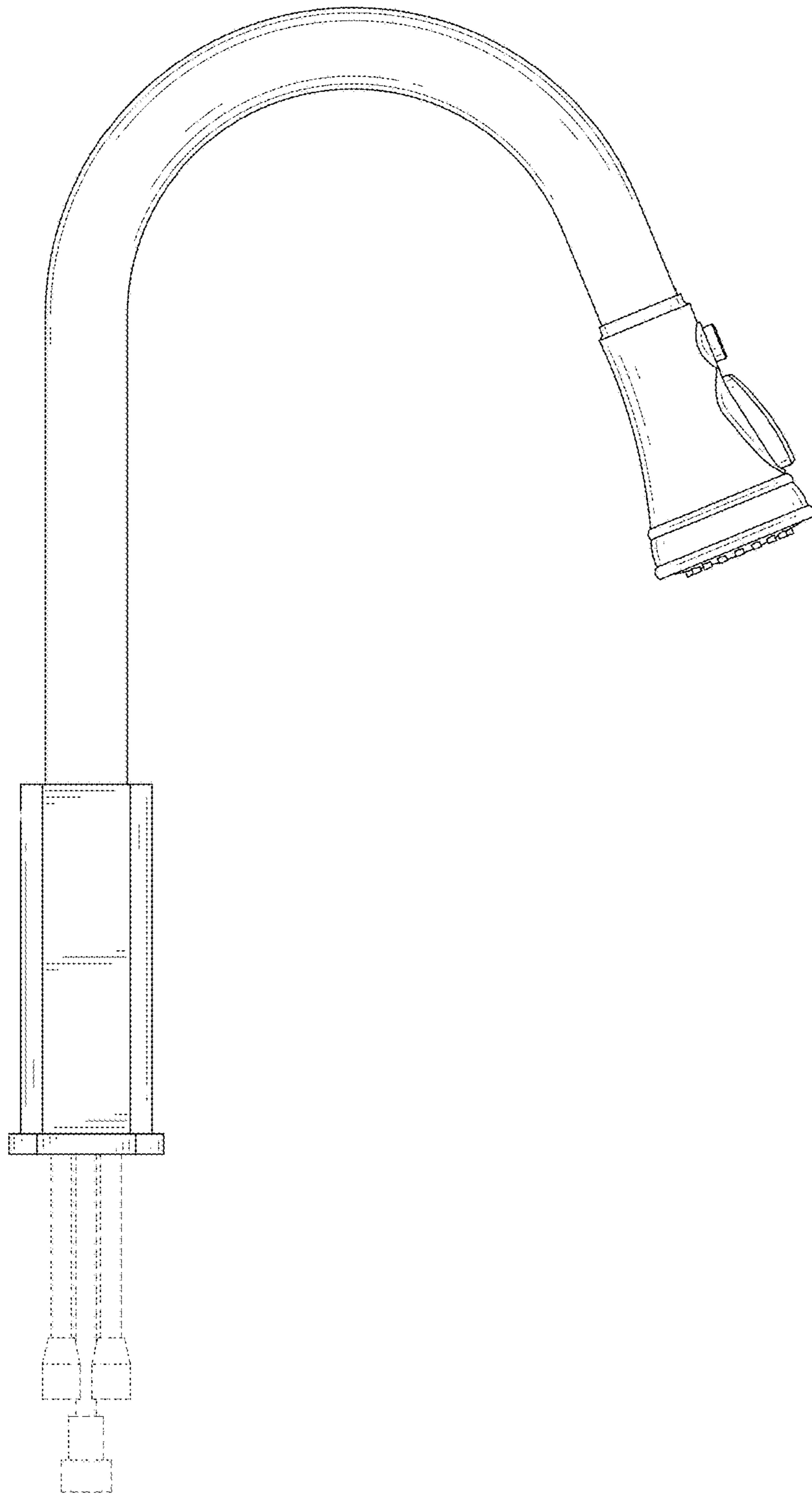


FIG. 5

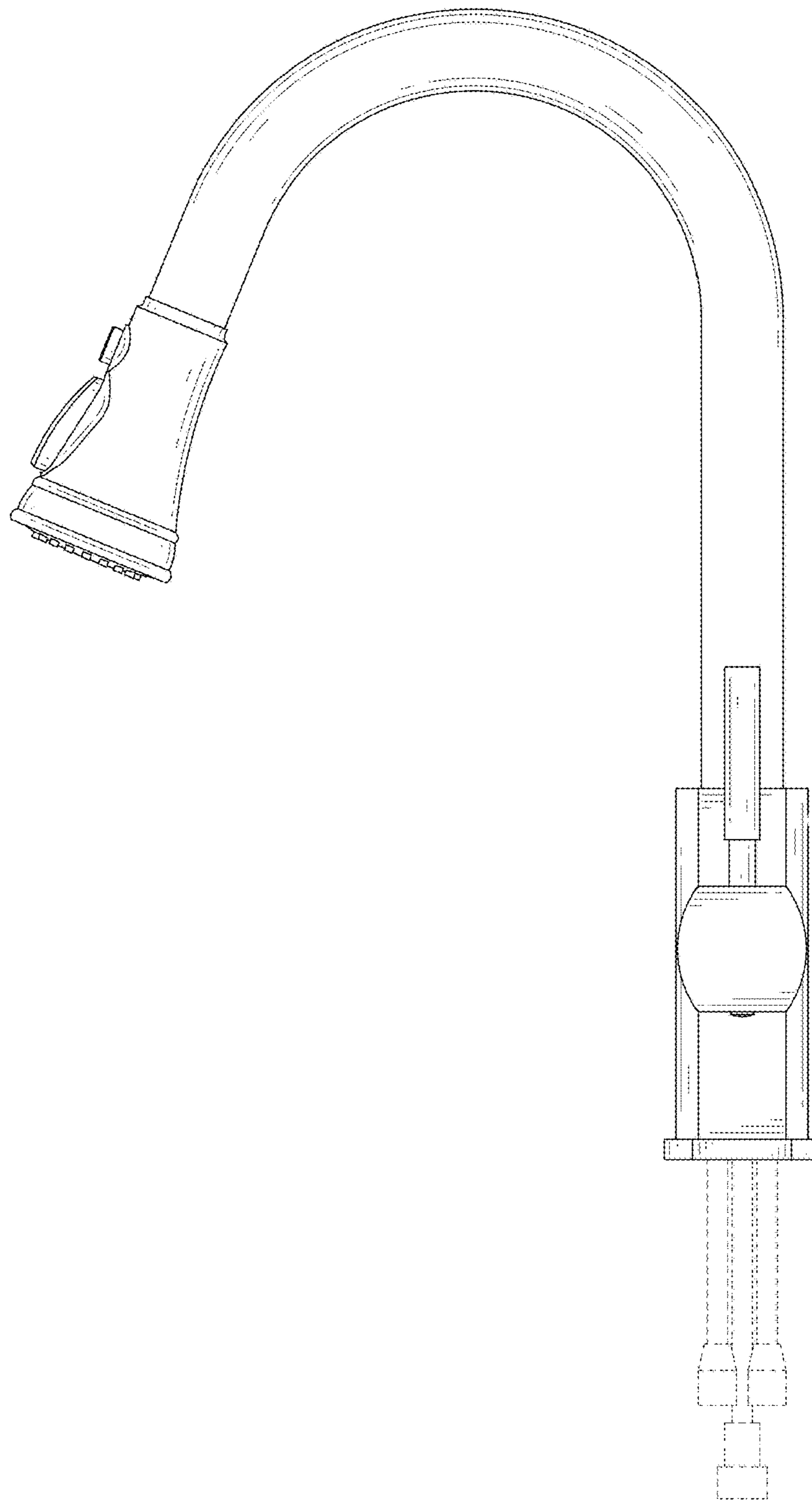


FIG. 6

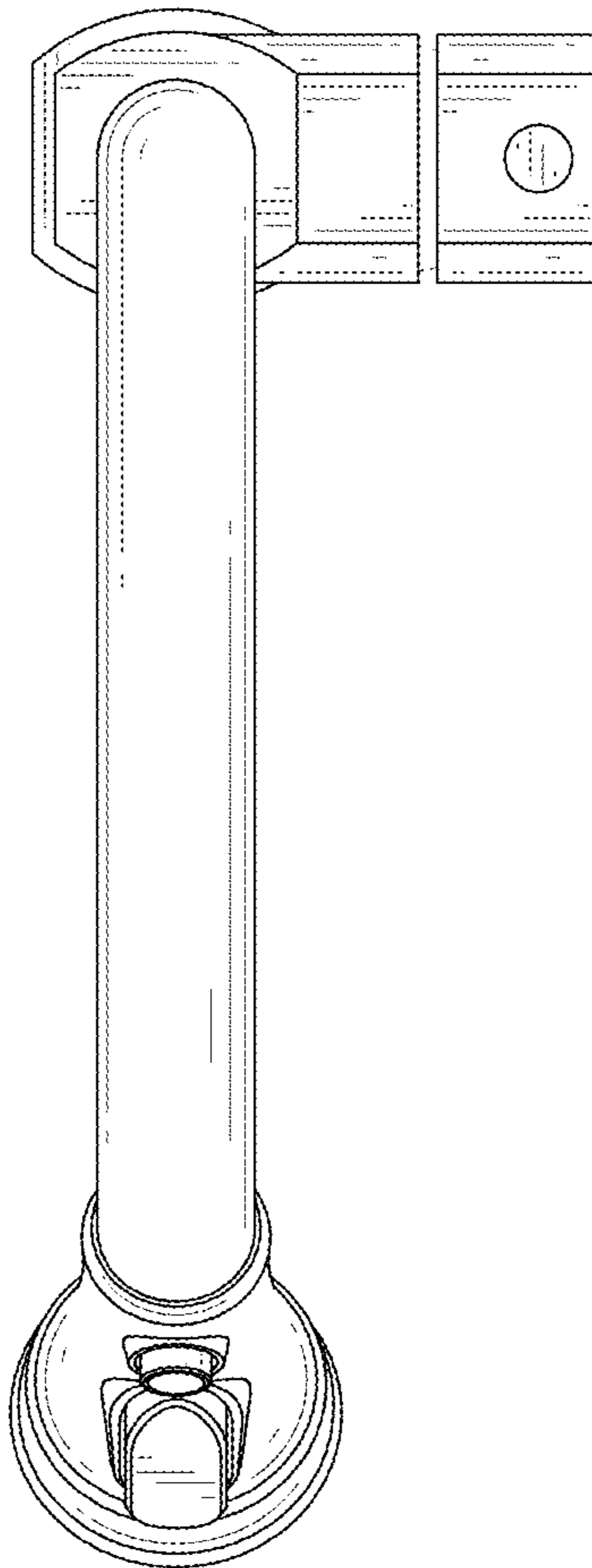


FIG. 7

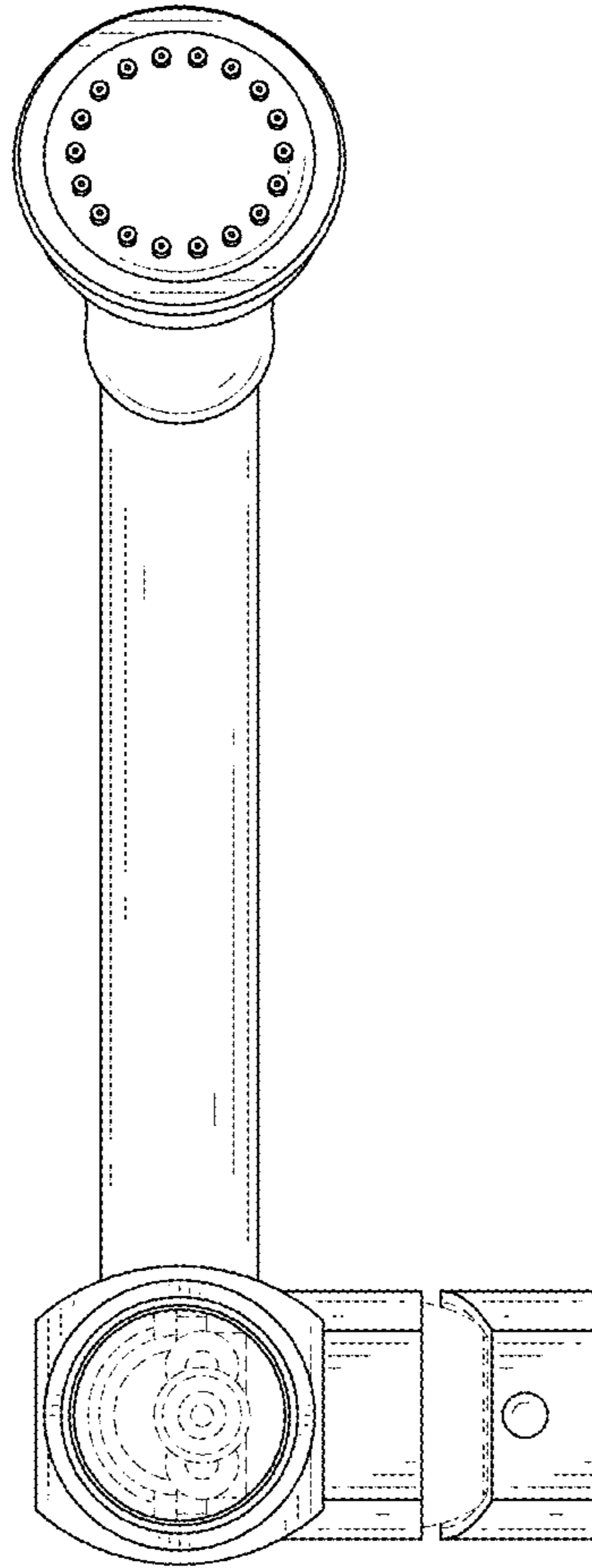


FIG. 8

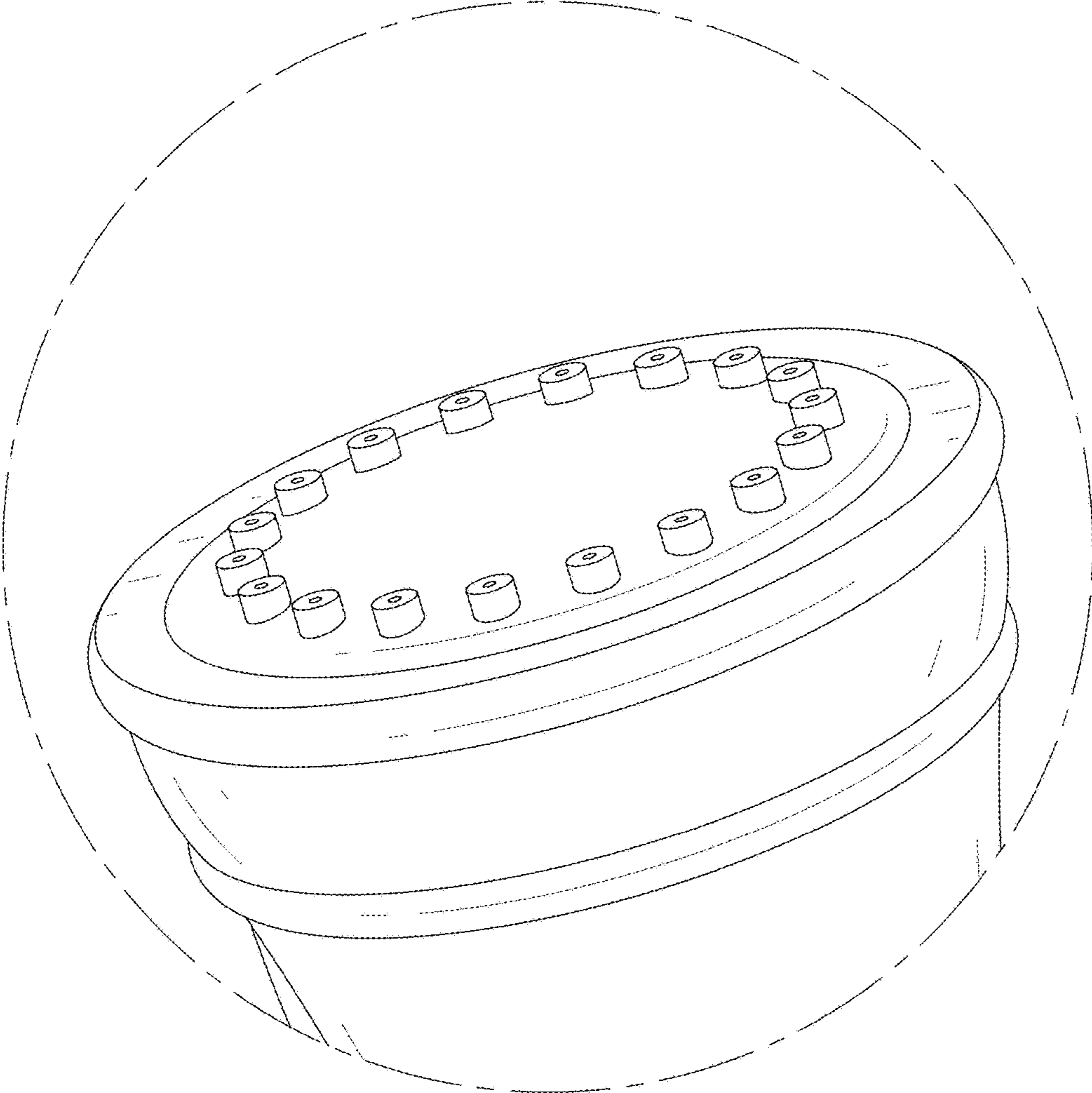


FIG. 9

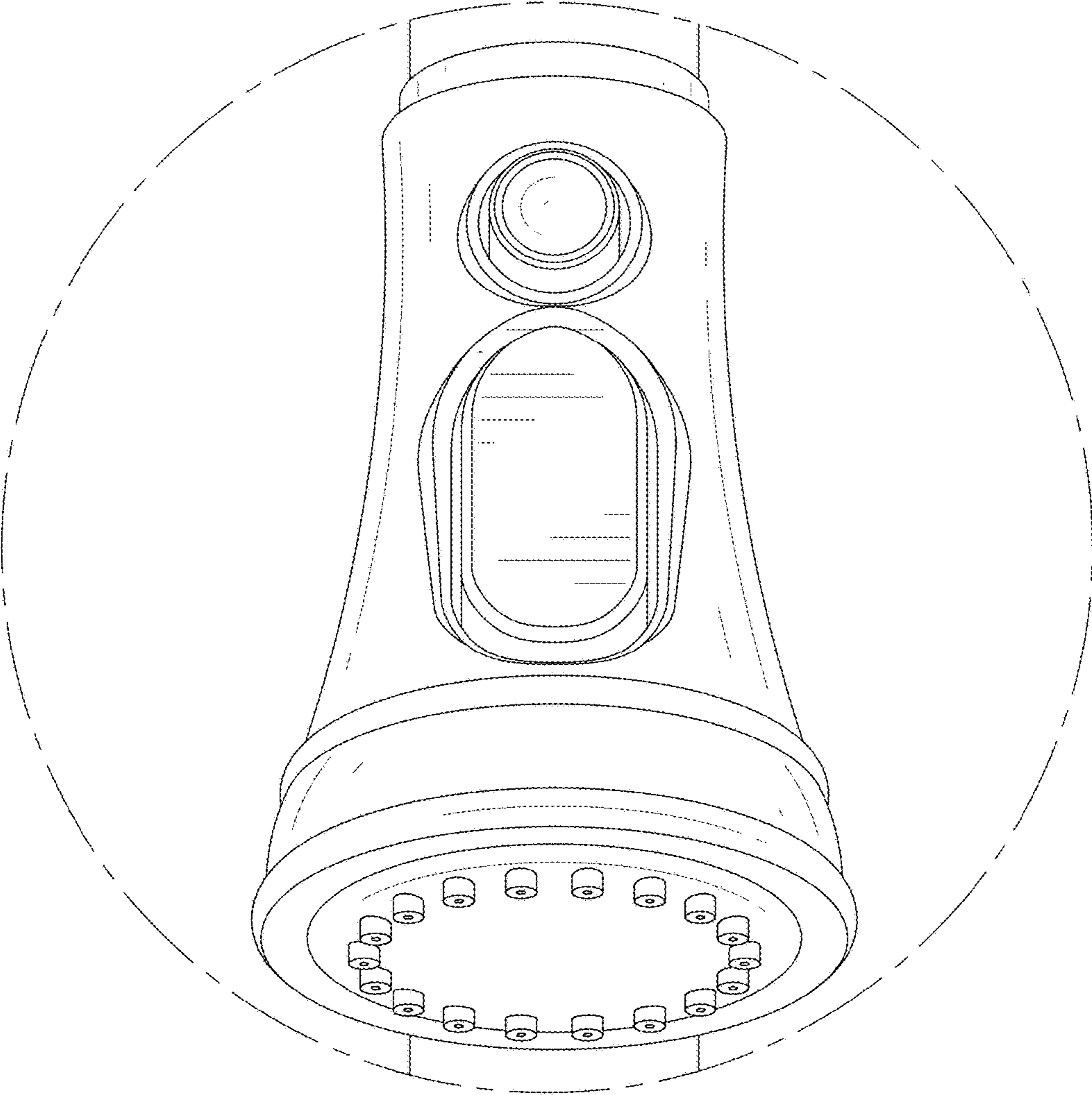


FIG. 10