



US00D860397S

(12) **United States Design Patent**
Diefenbach et al.

(10) **Patent No.:** **US D860,397 S**

(45) **Date of Patent:** **** Sep. 17, 2019**

(54) **FAUCET**

(71) Applicant: **Hansgrohe SE**, Schiltach (DE)

(72) Inventors: **Andreas Diefenbach**,
Ludwigsburg-Oßweil (DE); **Tom**
Schoenherr, Stuttgart (DE)

(73) Assignee: **Hansgrohe SE**, Schiltach (DE)

(**) Term: **15 Years**

(21) Appl. No.: **29/653,633**

(22) Filed: **Jun. 18, 2018**

(30) **Foreign Application Priority Data**

Dec. 18, 2017 (EM) 004554657-0005

(51) **LOC (12) Cl.** **23-01**

(52) **U.S. Cl.**
USPC **D23/238**

(58) **Field of Classification Search**
USPC D23/238-243, 249, 255, 257, 250, 252,
D23/254, 213; D8/307-308, 353
CPC E03C 1/0412; E03C 1/0409; E03C 1/042
See application file for complete search history.

(56) **References Cited**

U.S. PATENT DOCUMENTS

D499,171 S * 11/2004 Citterio D23/254
D519,617 S * 4/2006 Hoernig D23/255
D530,782 S * 10/2006 Starck D23/238
D584,793 S * 1/2009 Sieger D23/213
D648,828 S * 11/2011 Meyer D23/252

D713,012 S * 9/2014 Citterio D23/252
D756,742 S * 5/2016 Nishida Watson D8/308
D760,360 S * 6/2016 Kawakami D23/255
D803,356 S * 11/2017 Lucchese D23/238
D811,528 S * 2/2018 Schoenherr D23/238

FOREIGN PATENT DOCUMENTS

EM 002418202-0004 3/2014
EM 003766088-0008 2/2017
IR DM/081274 7/2013
IR DM/093856 12/2016

* cited by examiner

Primary Examiner — Robert A Delehanty

(74) *Attorney, Agent, or Firm* — Lora J. Graentzdoerffer

(57) **CLAIM**

The ornamental design for a faucet, as shown and described.

DESCRIPTION

FIG. 1 is a perspective view of a faucet showing our design;
FIG. 2 is a front elevation view;
FIG. 3 is a rear elevation view;
FIG. 4 is a right side elevation view;
FIG. 5 is a left side elevation view;
FIG. 6 is a top plan, view; and,
FIG. 7 is a bottom plan view.

The broken-line disclosures in the view represents portions of the faucet in which the claimed design is embodied, but which forms no part of the claimed design.

1 Claim, 7 Drawing Sheets

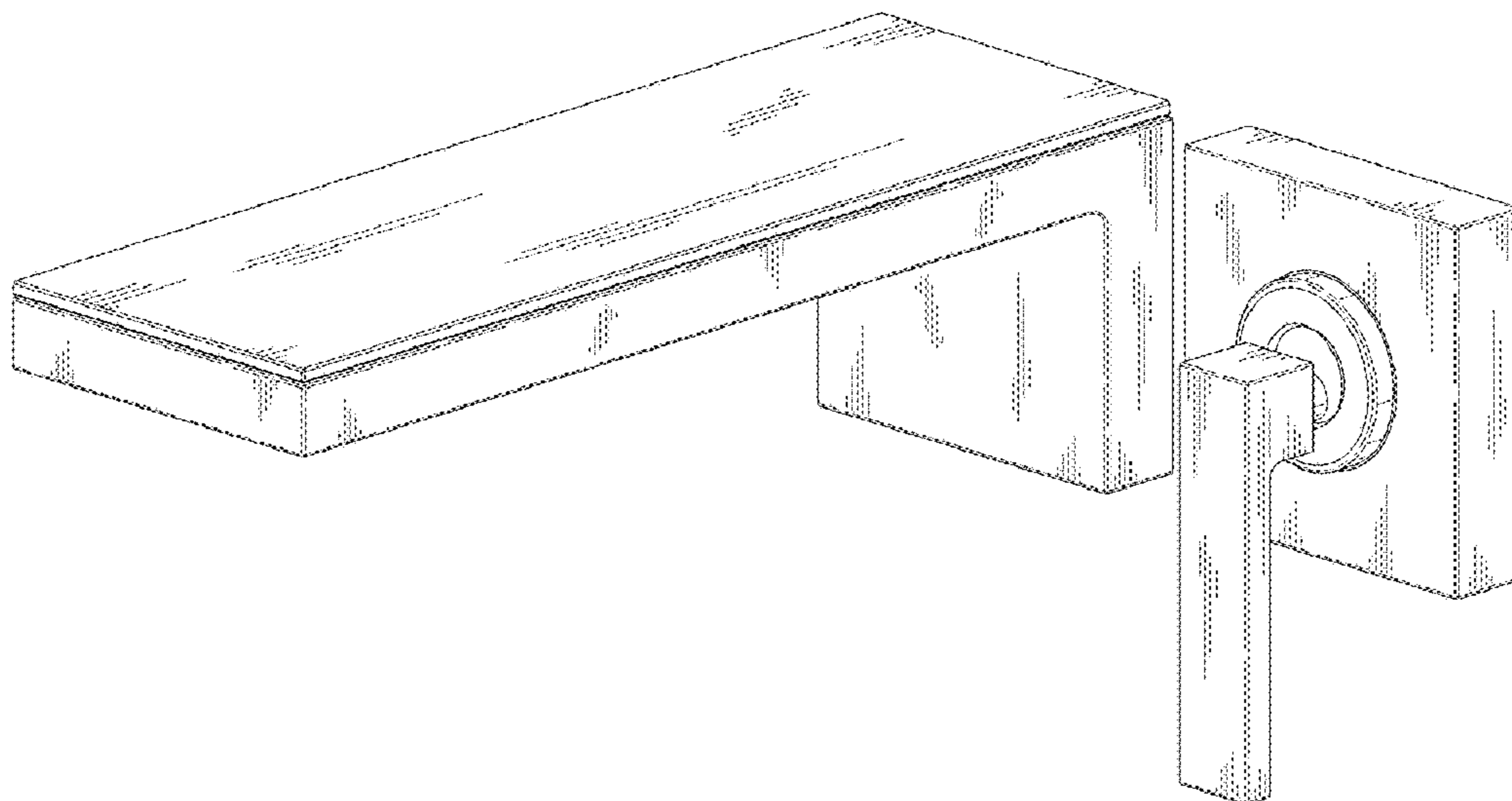


FIG. 1

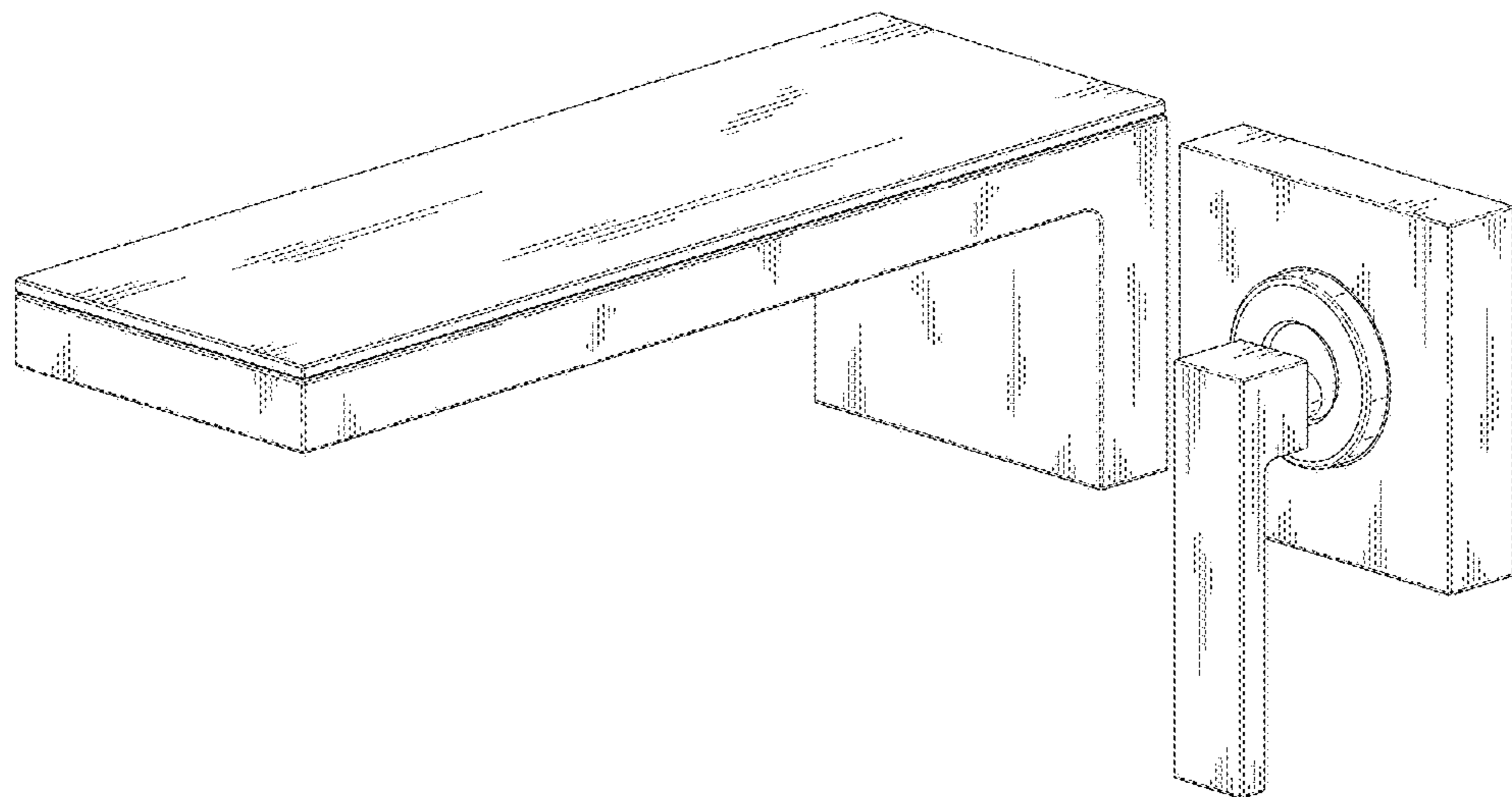


FIG. 2

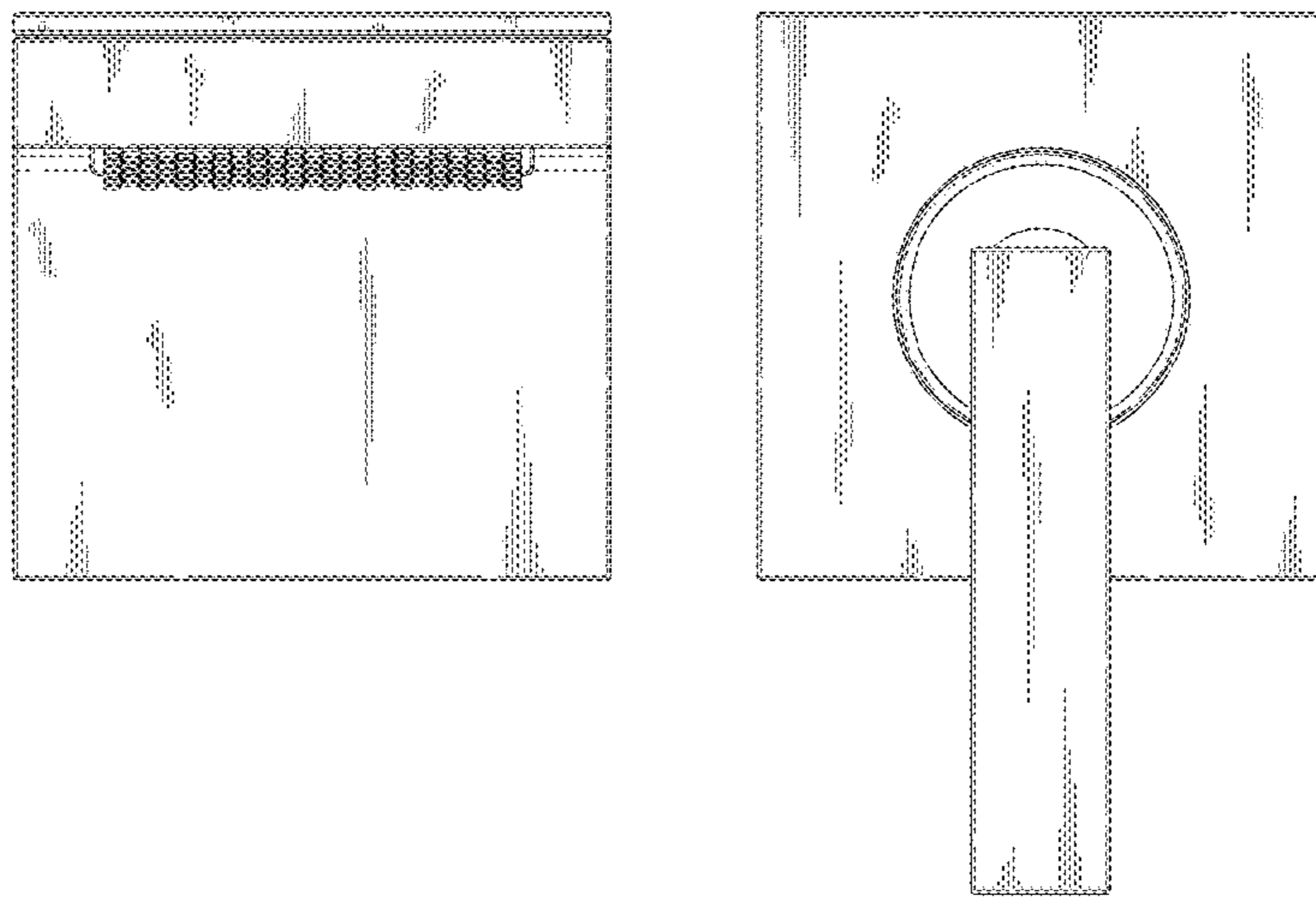


FIG. 3

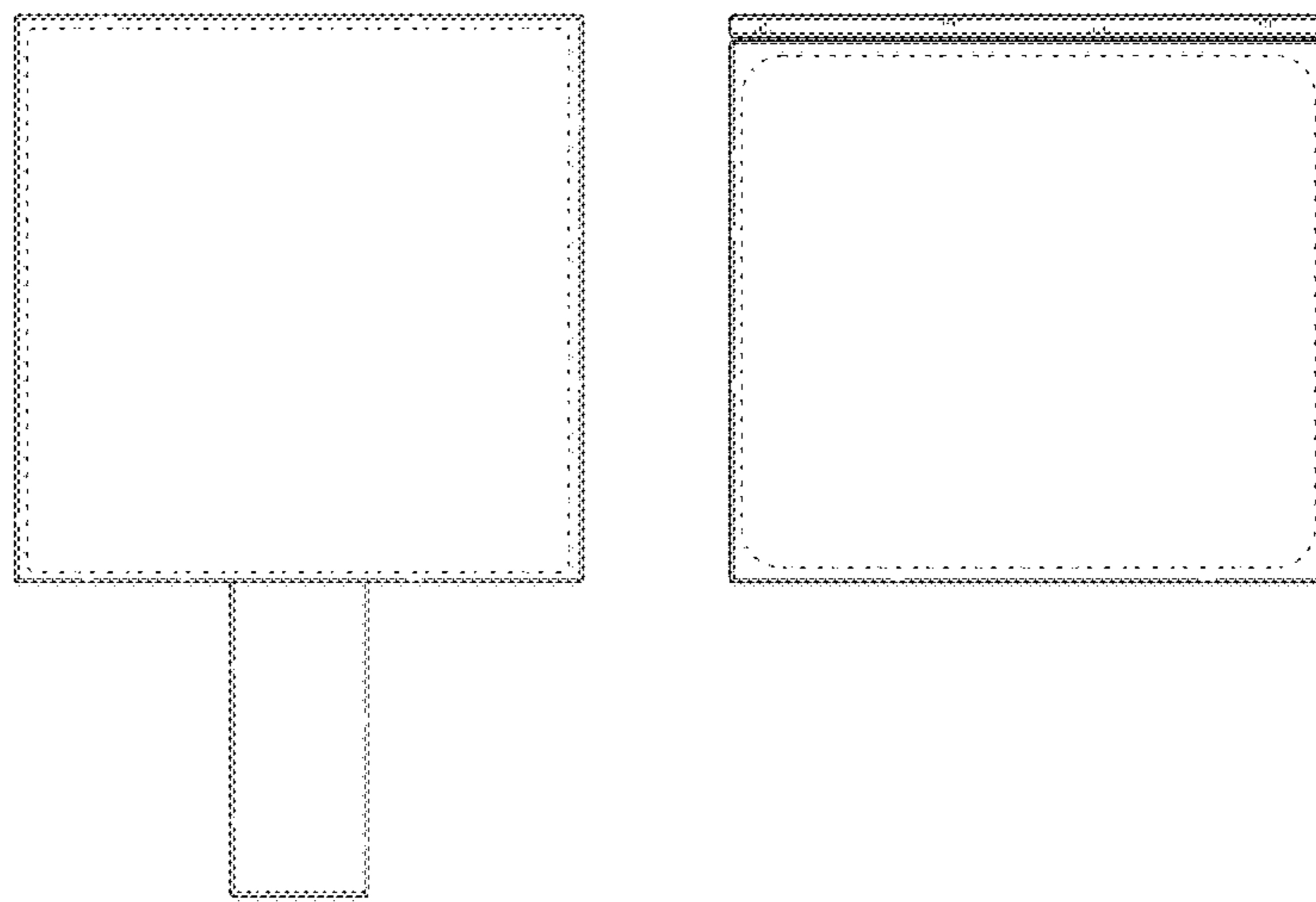


FIG. 4

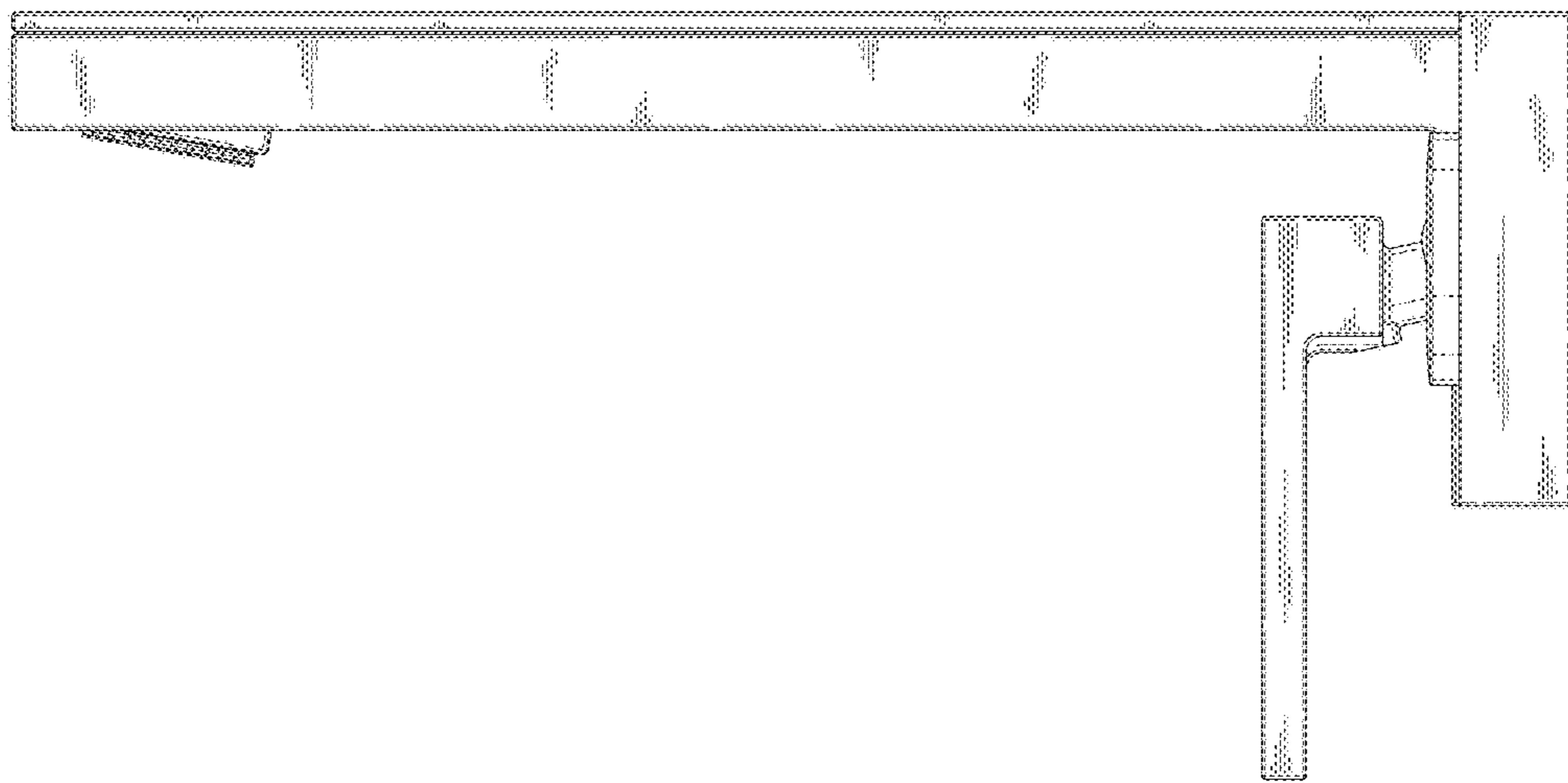


FIG. 5

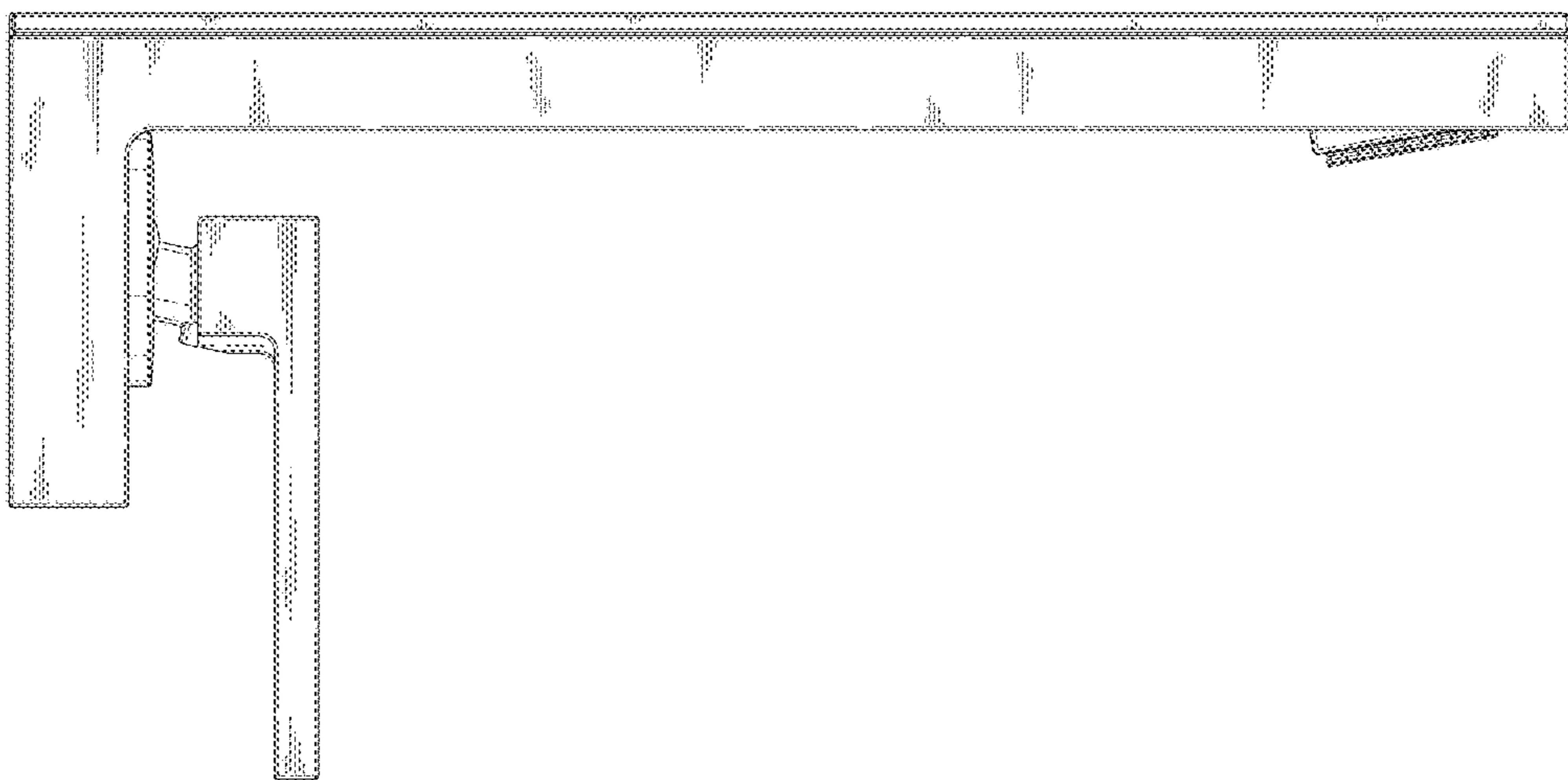


FIG. 6

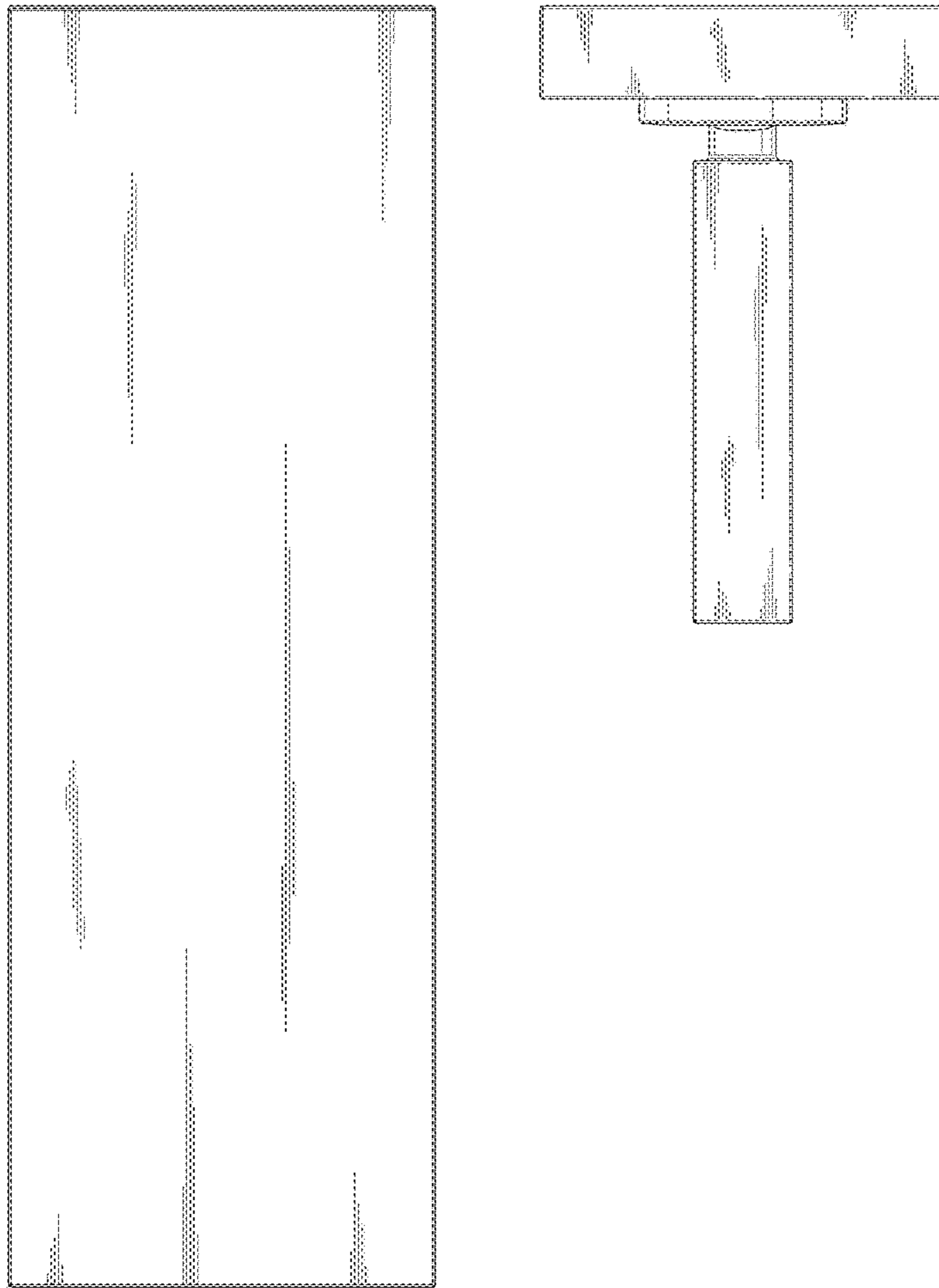


FIG. 7

