



US00D860393S

(12) **United States Design Patent**
Seum et al.

(10) **Patent No.:** **US D860,393 S**

(45) **Date of Patent:** **** Sep. 17, 2019**

(54) **FAUCET**

(71) Applicant: **Grohe AG**, Hemer (DE)

(72) Inventors: **Michael Seum**, Duesseldorf (DE);
Jacob Nitz, Brooklyn, NY (US)

(73) Assignee: **Grohe AG**, Hemer (DE)

(**) Term: **15 Years**

(21) Appl. No.: **29/638,836**

(22) Filed: **Mar. 1, 2018**

(30) **Foreign Application Priority Data**

Sep. 1, 2017 (EM) 004203016-0004

(51) **LOC (12) Cl.** **23-01**

(52) **U.S. Cl.**
USPC **D23/238**

(58) **Field of Classification Search**
USPC D23/238-243, 249, 255, 257, 250, 252,
D23/254; D8/307-308
CPC F16K 31/60; F16K 31/602; F16K 31/605;
F16K 31/607; E03C 1/0412; E03C
1/0409
See application file for complete search history.

(56) **References Cited**

U.S. PATENT DOCUMENTS

D481,445 S * 10/2003 Haug D23/238
D535,358 S * 1/2007 Demmer D23/238

D615,628 S * 5/2010 Allard D23/255
D635,648 S * 4/2011 Schoenherr D23/255
D646,354 S * 10/2011 Gessi D23/238
D646,355 S * 10/2011 Gessi D23/238
D723,664 S * 3/2015 Pony D23/238
D737,936 S * 9/2015 Pony D23/238
D828,511 S * 9/2018 Liu D23/238

* cited by examiner

Primary Examiner — Robert A Delehanty

(74) *Attorney, Agent, or Firm* — Muncy, Geissler, Olds & Lowe, P.C.

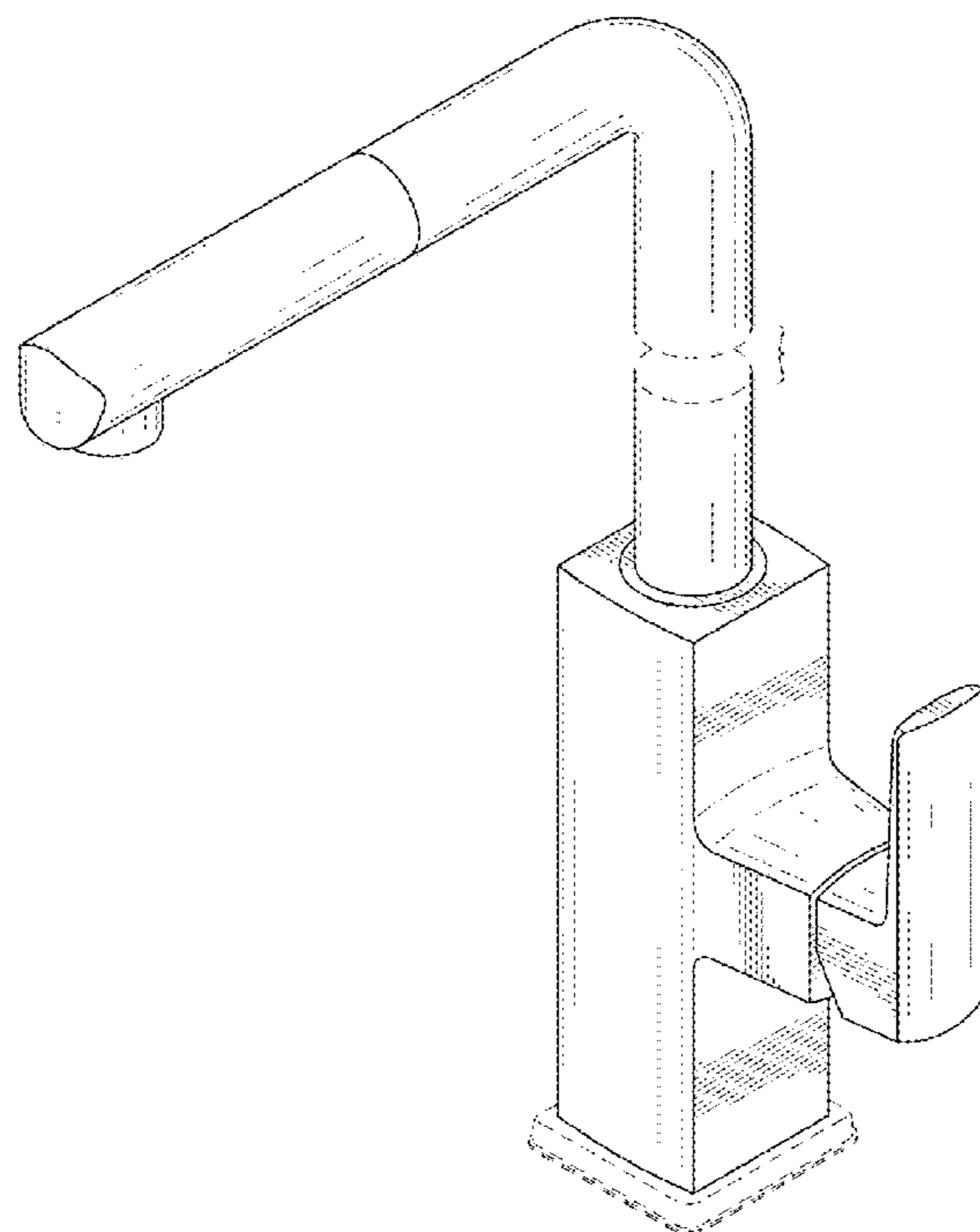
(57) **CLAIM**

The ornamental design for a faucet, as shown and described.

DESCRIPTION

FIG. 1 is a front perspective view of a faucet according to the present invention.
FIG. 2 is a front view of the faucet of FIG. 1.
FIG. 3 is a rear view of the faucet of FIG. 1.
FIG. 4 is a left side view of the faucet of FIG. 1.
FIG. 5 is a right side view of the faucet of FIG. 1.
FIG. 6 is a top view of the faucet of FIG. 1; and,
FIG. 7 is a bottom view of the faucet of FIG. 1.
The dashed lines illustrate environment that does not form a part of the present invention, and no claim is made to the material illustrated with dashed lines.

1 Claim, 7 Drawing Sheets



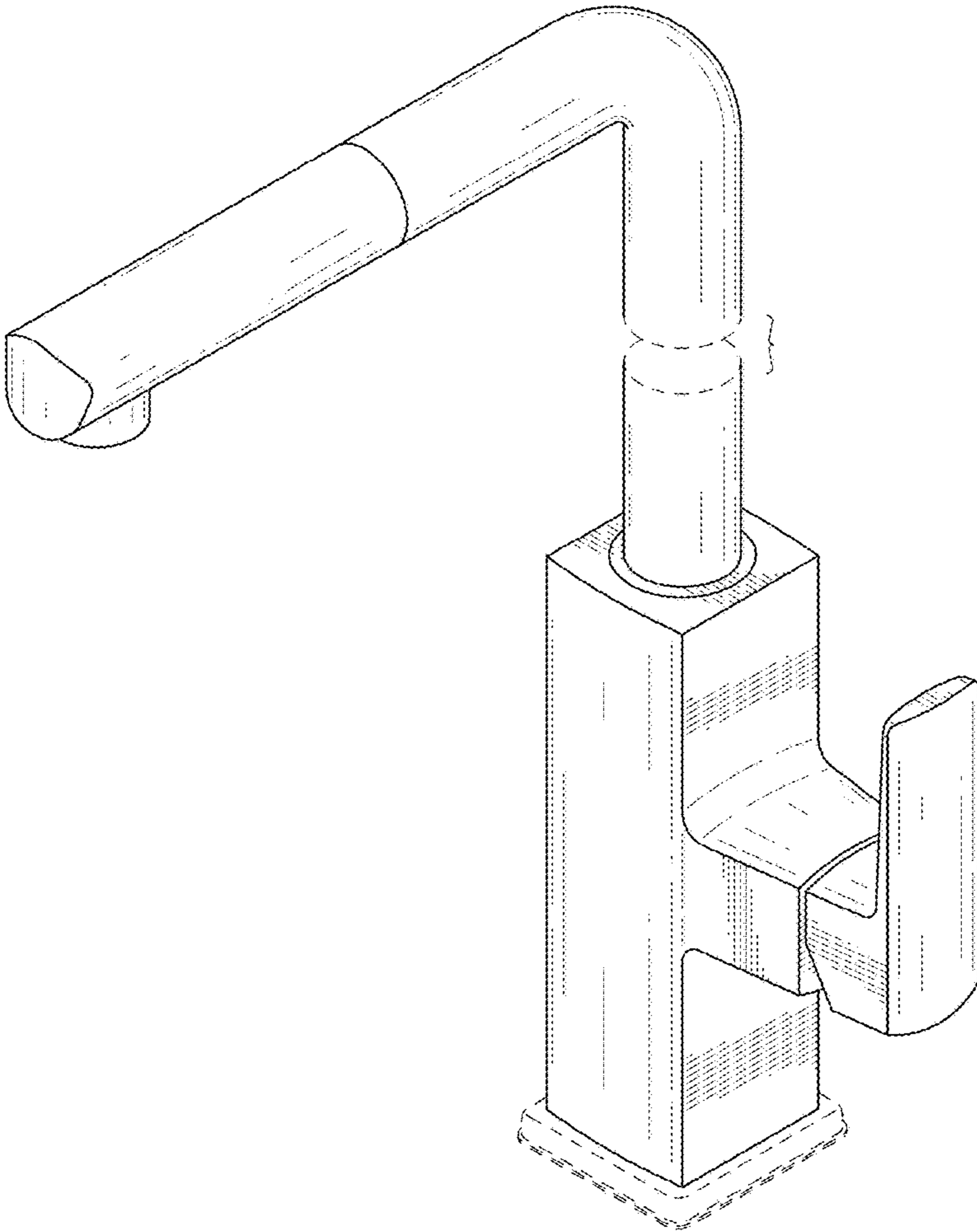


FIG.1

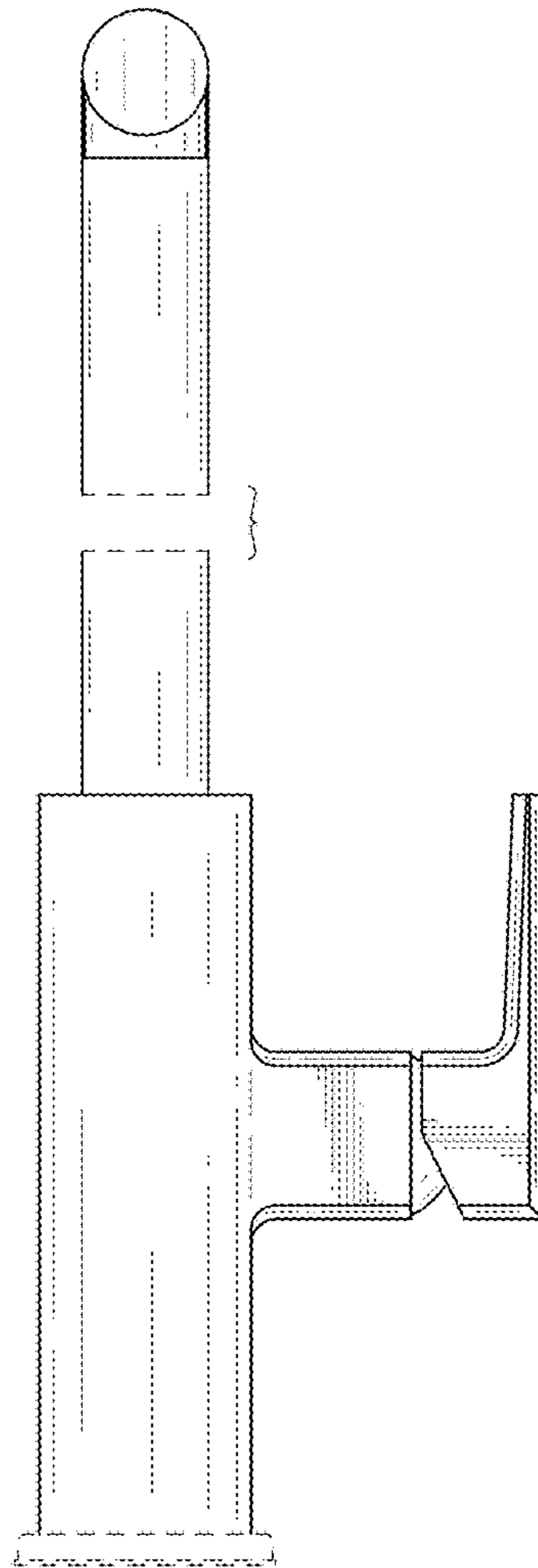


FIG.2

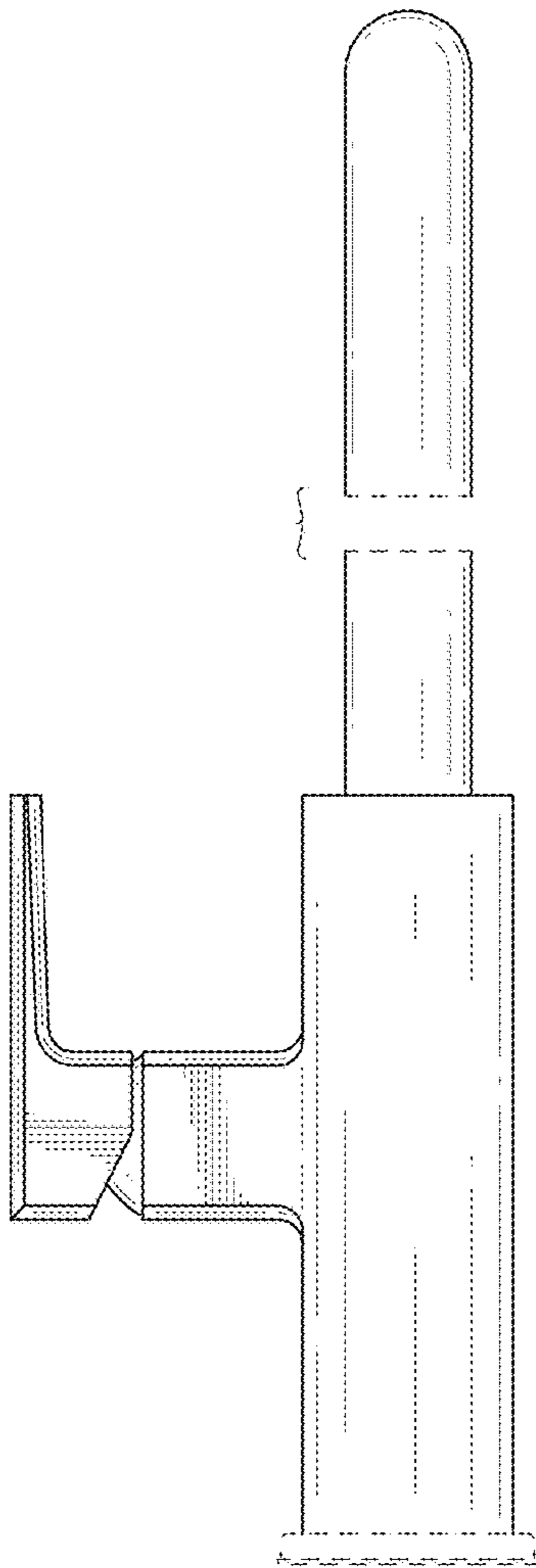


FIG.3

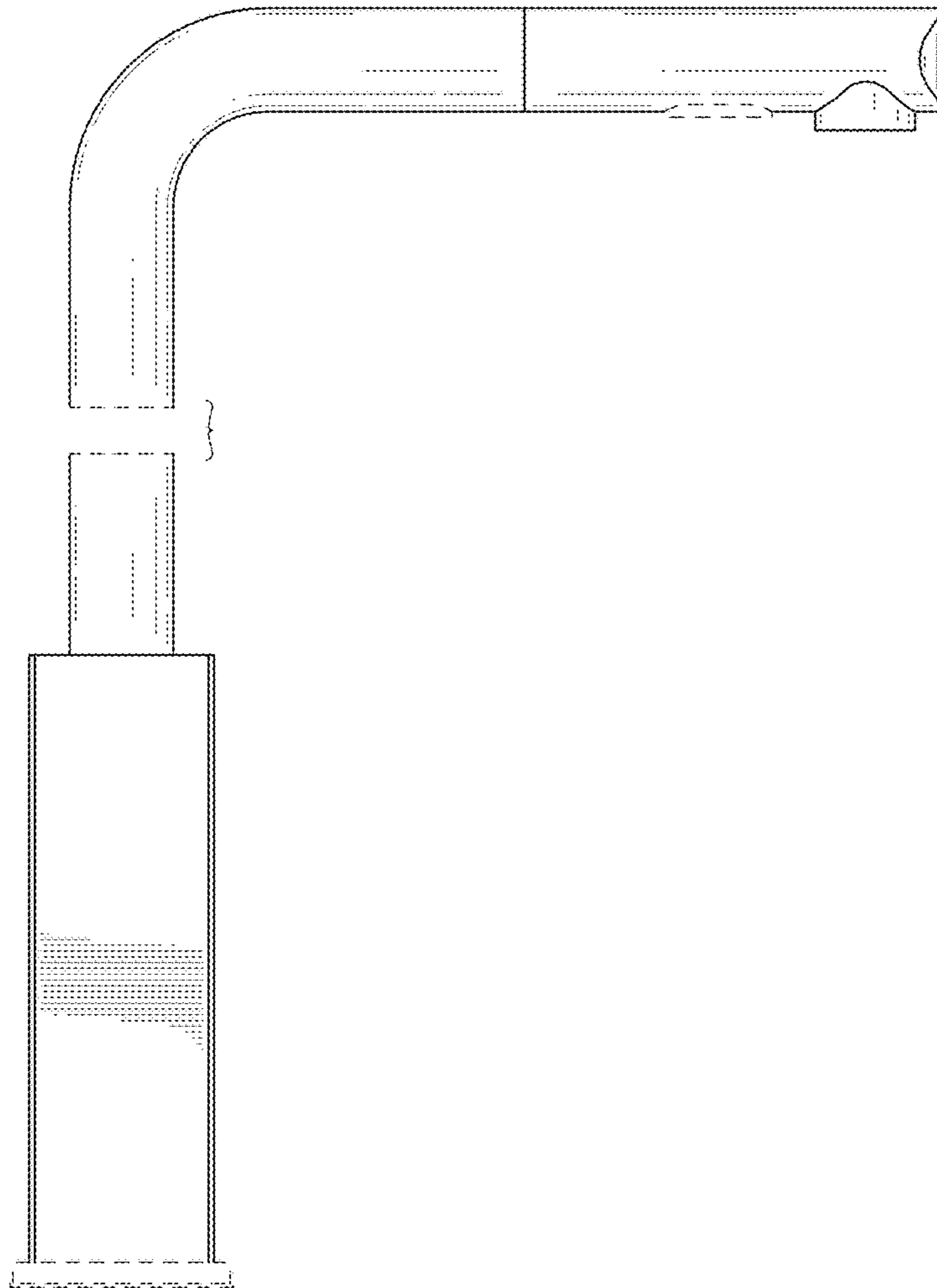


FIG.4

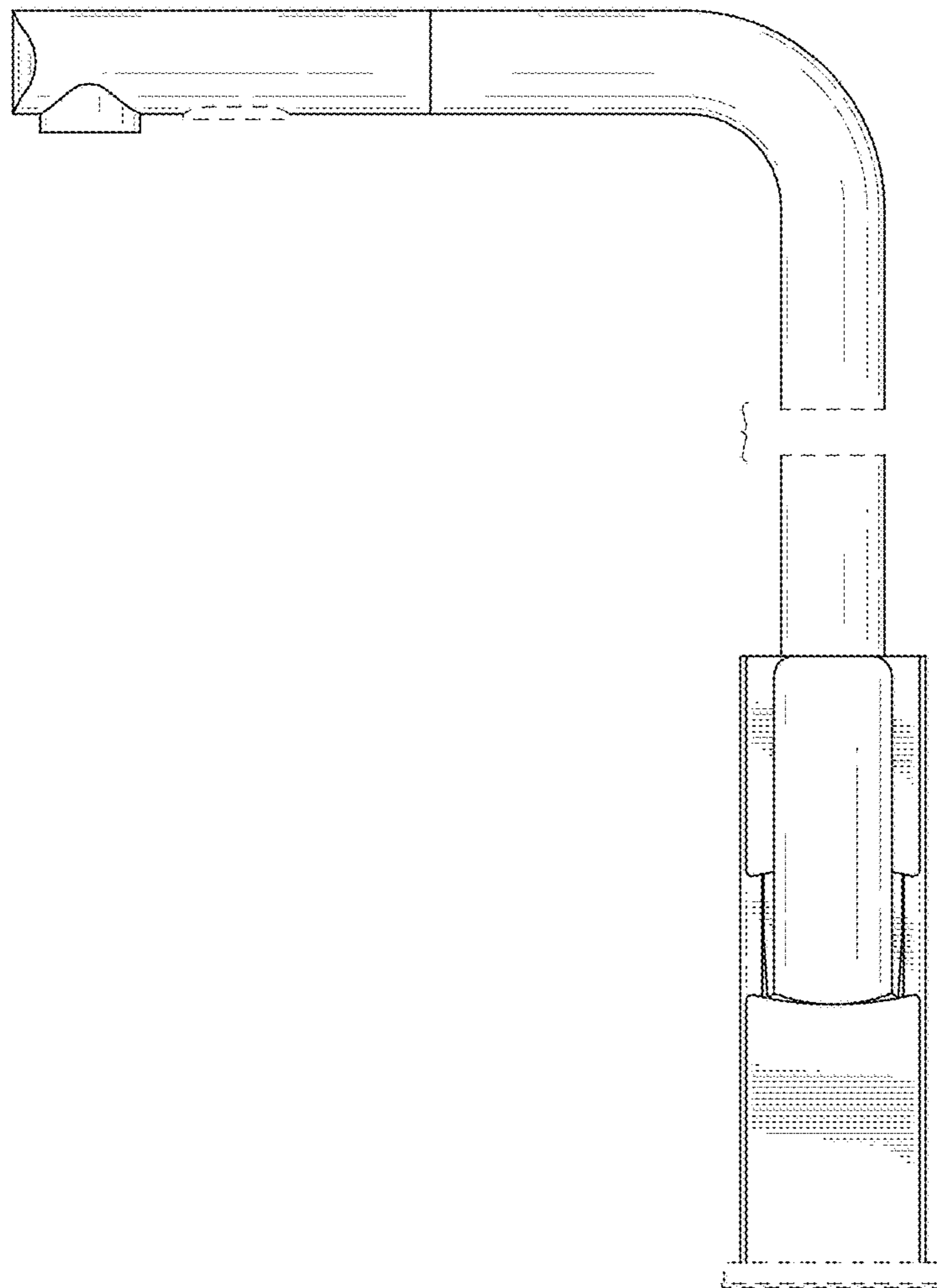


FIG.5

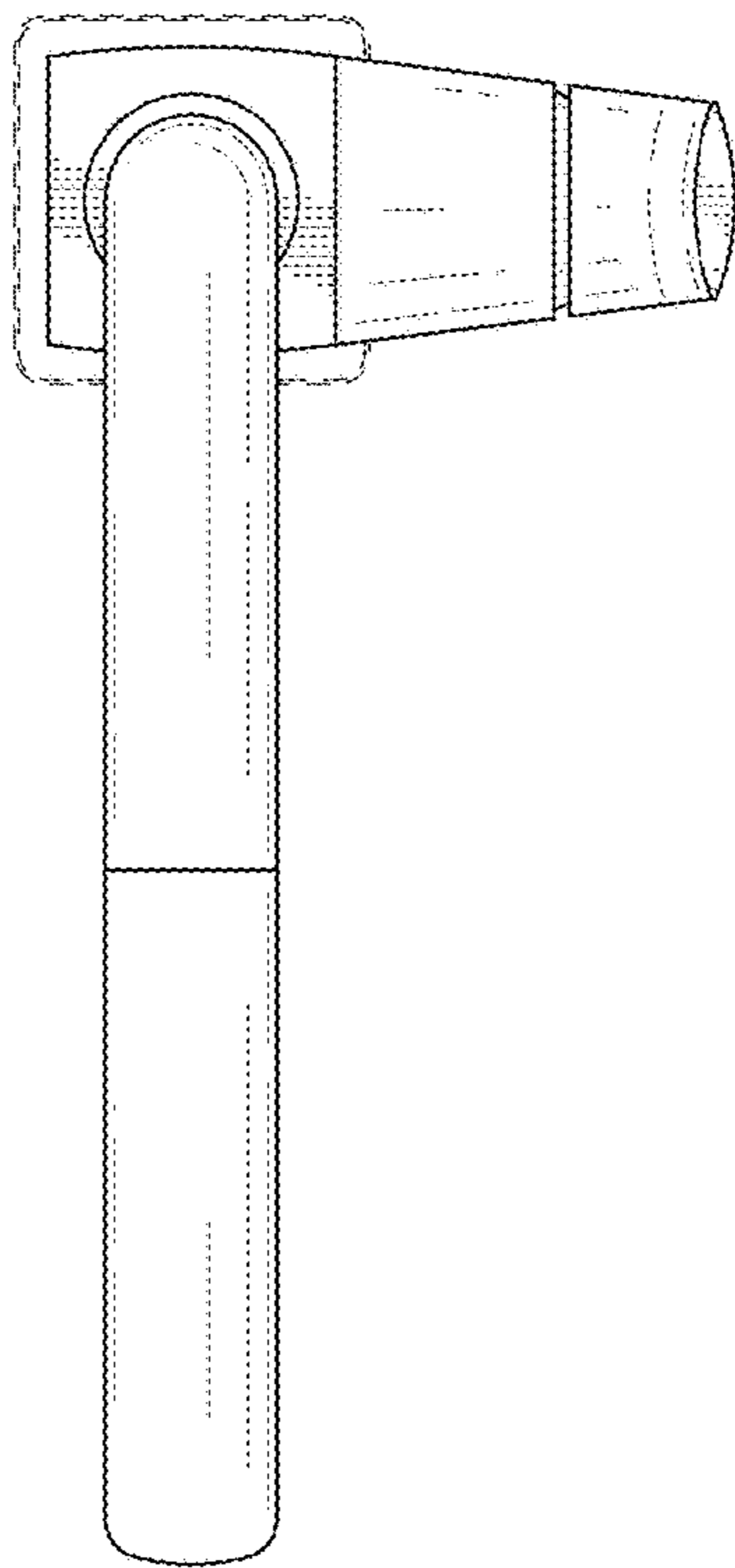


FIG.6

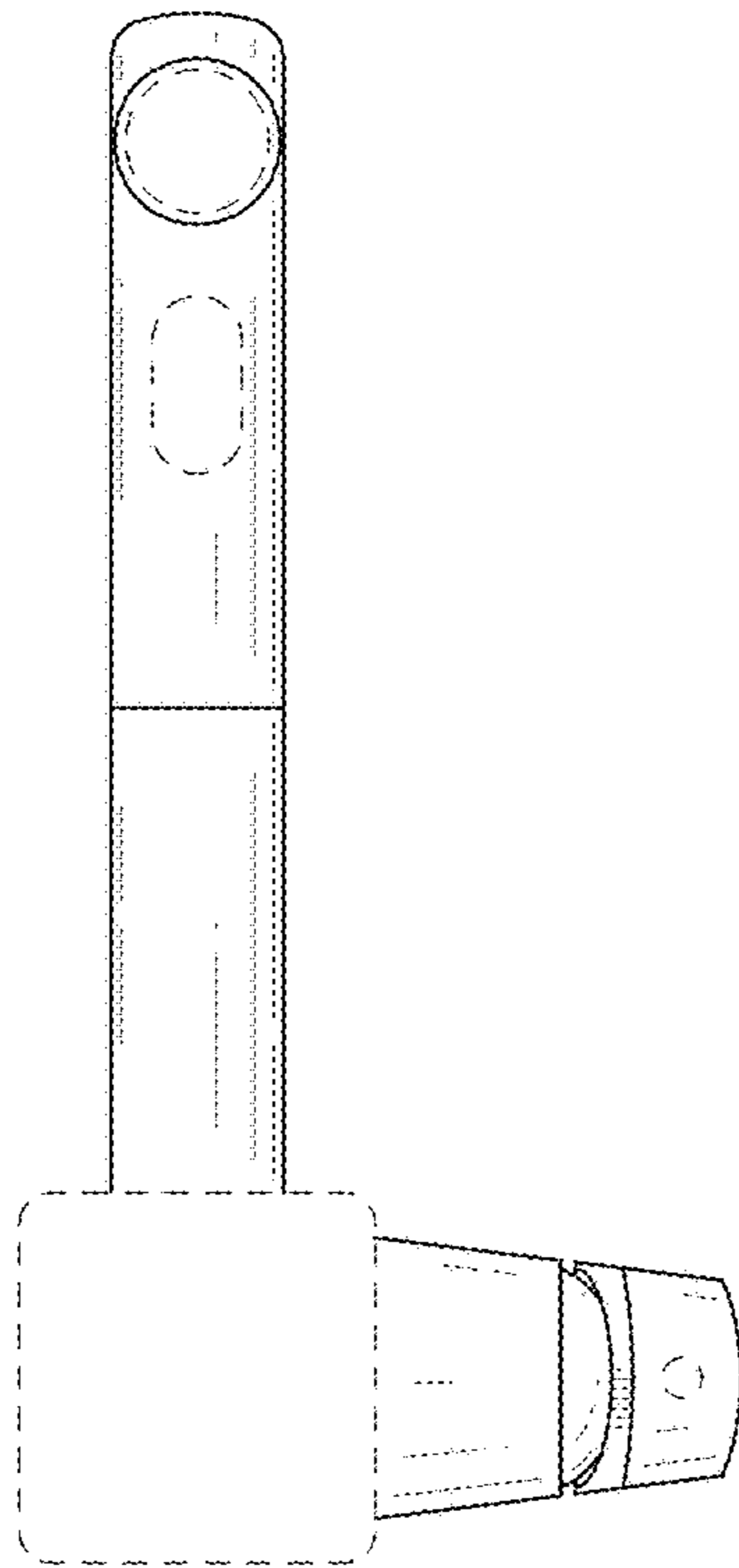


FIG. 7