

US00D860392S

(12) **United States Design Patent**
Garland

(10) **Patent No.:** **US D860,392 S**

(45) **Date of Patent:** **** Sep. 17, 2019**

(54) **FAUCET**

D574,469 S * 8/2008 Soriano D23/255
D577,420 S * 9/2008 Corbett D23/238

(71) Applicant: **DELTA FAUCET COMPANY,**
Indianapolis, IN (US)

* cited by examiner

(72) Inventor: **Celine Kwok Garland,** Zionsville, IN
(US)

Primary Examiner — Robert A Delehanty

(74) *Attorney, Agent, or Firm* — Edgar A. Zarins; Nirav
D. Parikh

(73) Assignee: **DELTA FAUCET COMPANY,**
Indianapolis, IN (US)

(57) **CLAIM**

The ornamental design for a faucet, as shown and described.

(**) Term: **15 Years**

DESCRIPTION

(21) Appl. No.: **29/632,409**

FIG. 1 is a first perspective view of a faucet showing my new
design;

(22) Filed: **Jan. 8, 2018**

FIG. 2 is a second perspective view thereof;

(51) **LOC (12) Cl.** **23-01**

FIG. 3 is a front elevational view thereof;

(52) **U.S. Cl.**

FIG. 4 is a left side view thereof;

USPC **D23/238**

FIG. 5 is a rear view thereof;

(58) **Field of Classification Search**

FIG. 6 is a top plan view thereof;

USPC D23/238–243, 249–250, 252, 254–255,
D23/257, 213, 223, 226, 229; D8/300,
D8/307–308, 350, 352

FIG. 7 is a right side view thereof;

CPC ... Y10T 137/9464; E03C 1/04; E03C 1/0401;
E03C 1/0402; E03C 1/0404; E03C
1/0405; E03C 1/0412; E03C 1/0413;
E03C 1/0409; E03C 1/042

FIG. 8 is a bottom view thereof;

See application file for complete search history.

FIG. 9 is a first perspective view of a second embodiment
thereof;

(56) **References Cited**

U.S. PATENT DOCUMENTS

D399,923 S * 10/1998 Ko D23/238
D426,874 S * 6/2000 Warshawsky D23/241
D467,306 S * 12/2002 Lord D23/238

FIG. 10 is a second perspective view thereof;

FIG. 11 is a left side view thereof;

FIG. 12 is a right side view thereof;

FIG. 13 is a front elevational view thereof;

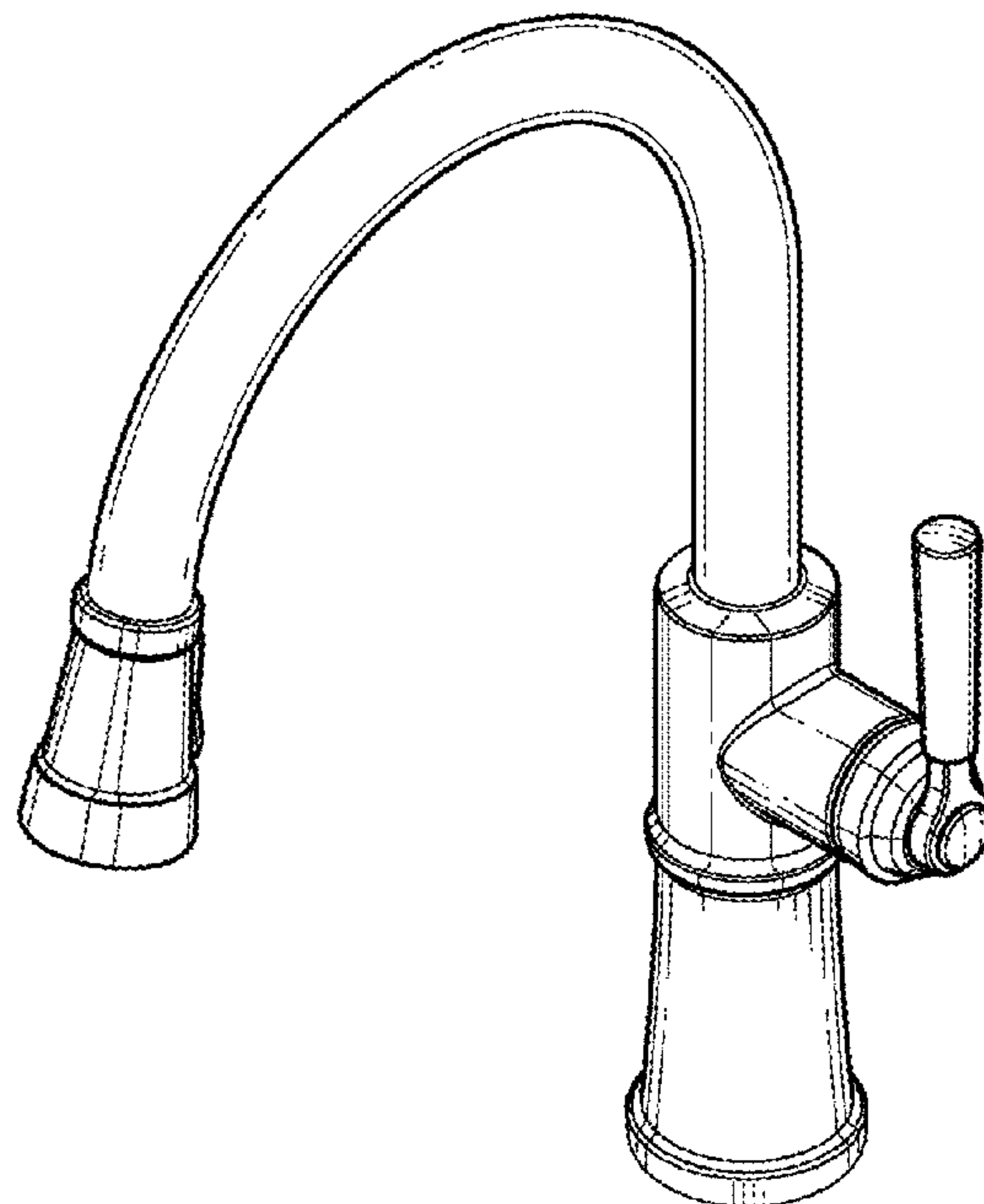
FIG. 14 is a rear view thereof;

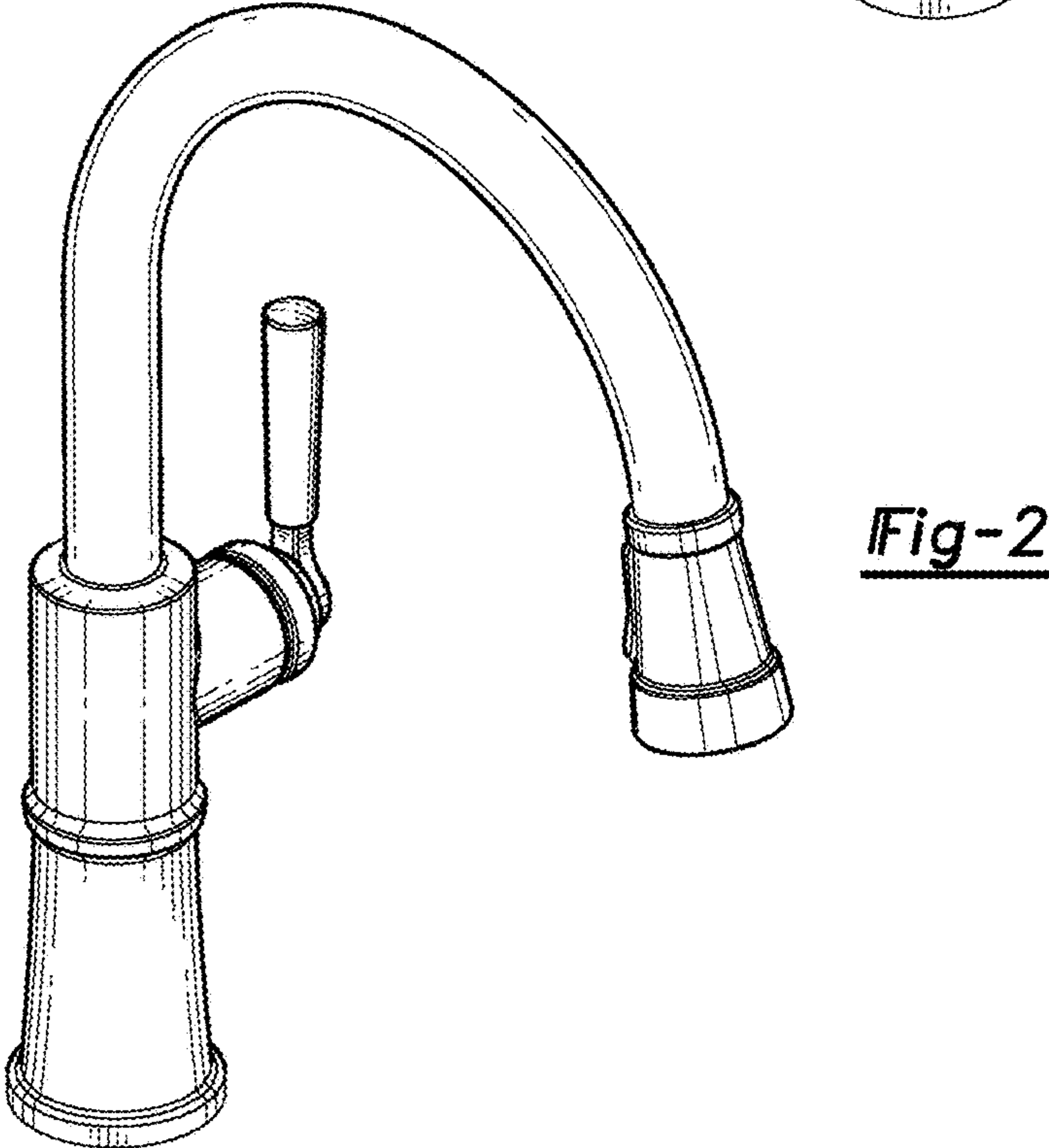
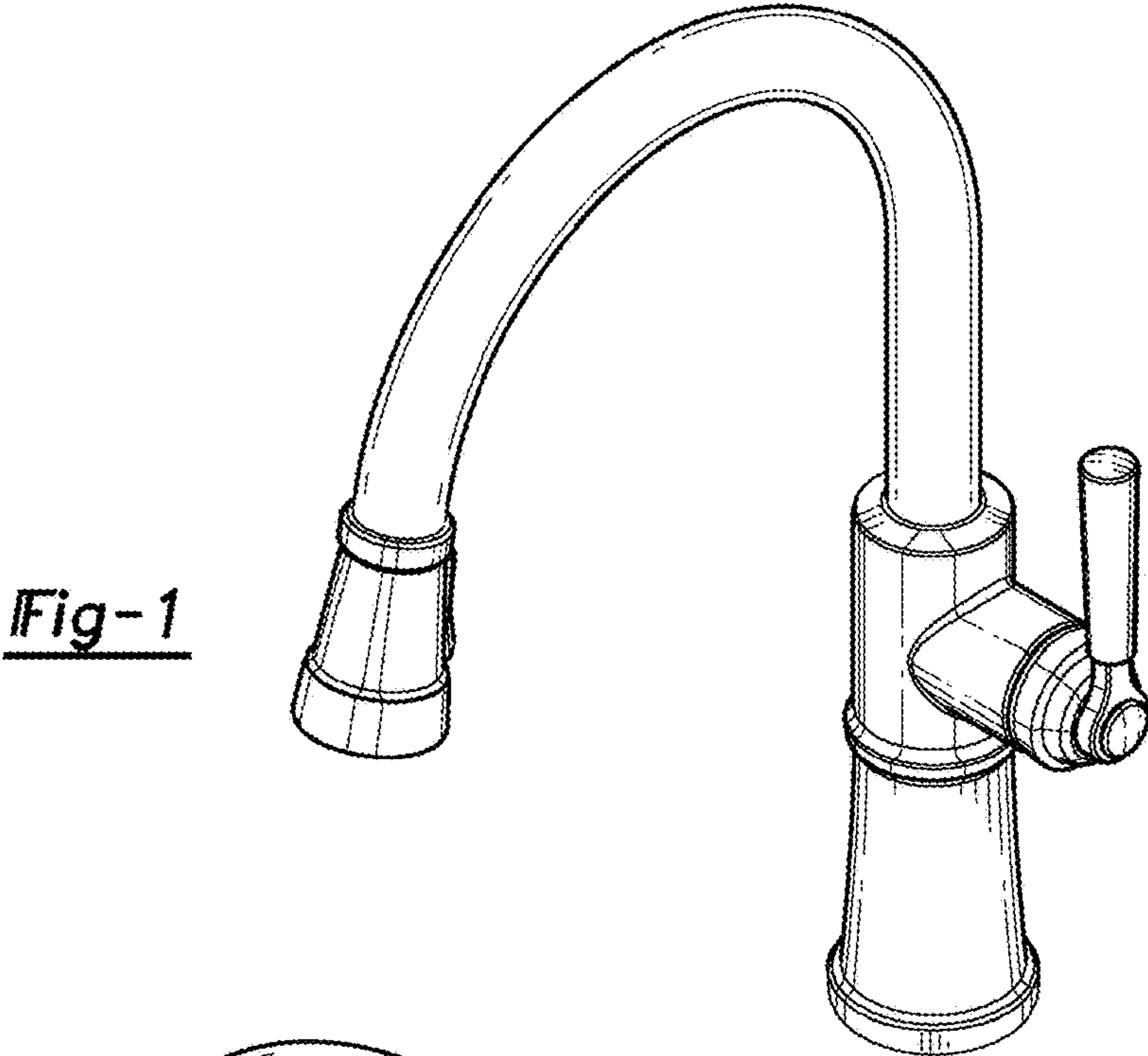
FIG. 15 is a top plan view thereof; and,

FIG. 16 is a bottom view thereof.

The broken-line disclosure in the view represents a portion
of the faucet in which the claimed design is embodied, but
which forms no part of the claimed design.

1 Claim, 7 Drawing Sheets





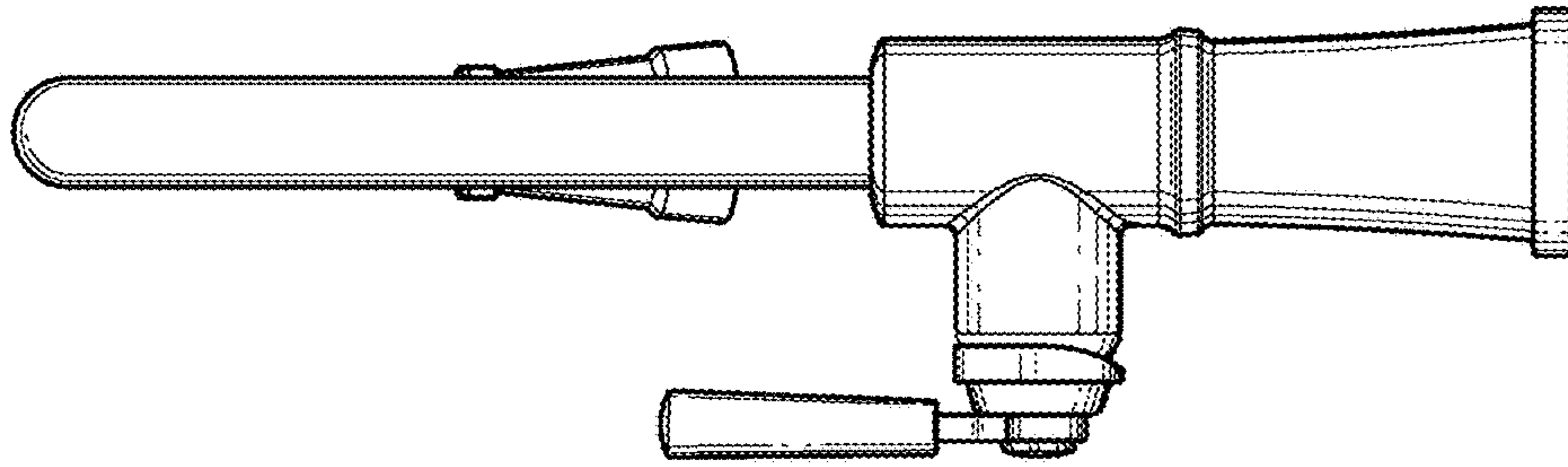


Fig-5

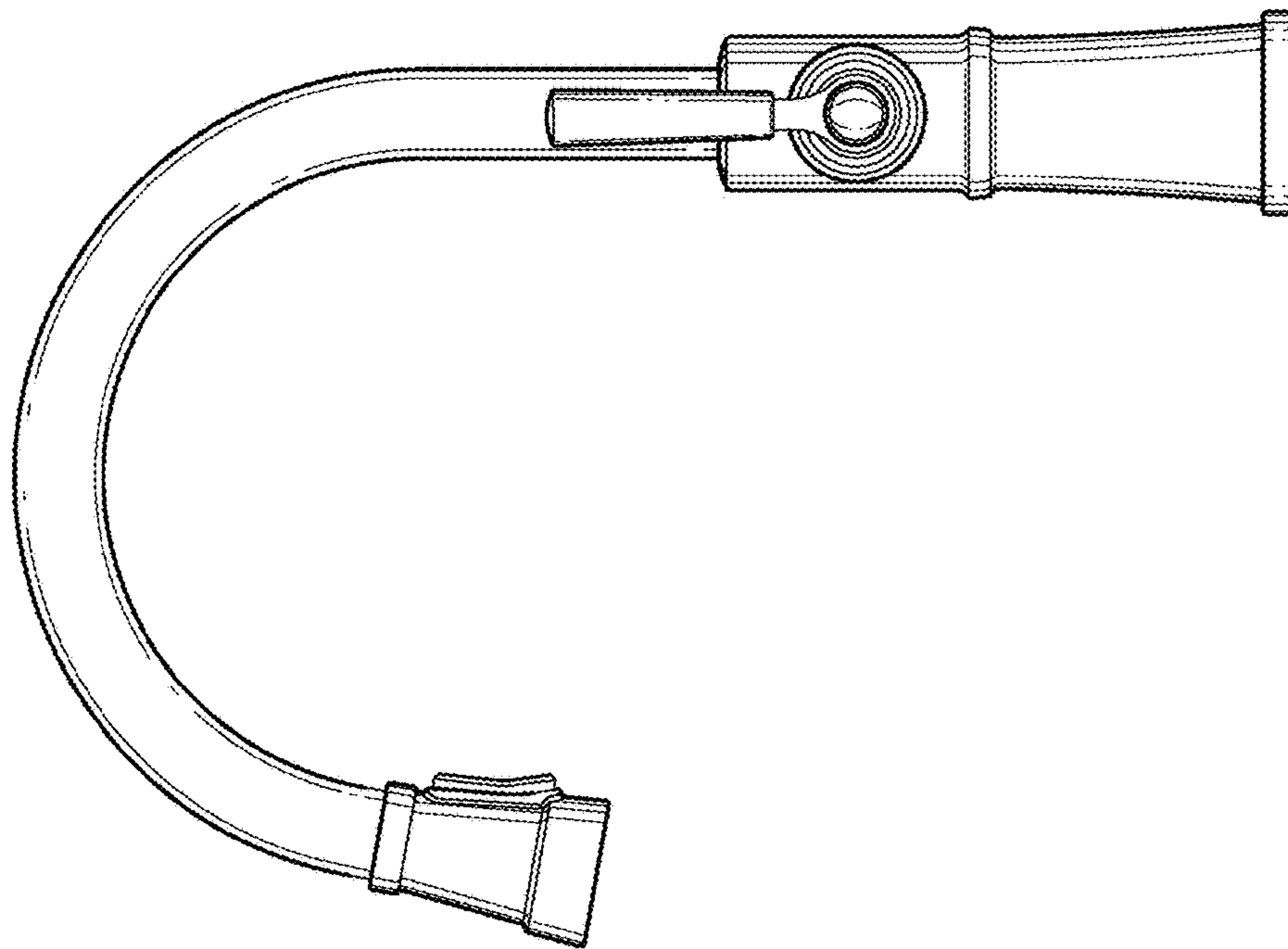


Fig-4

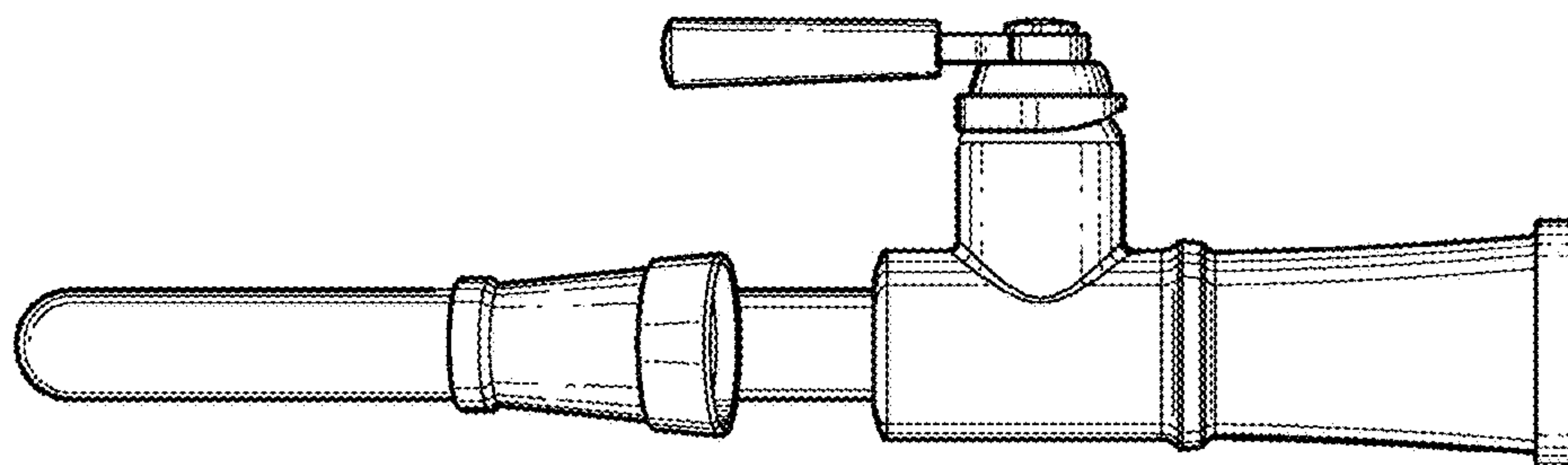


Fig-3

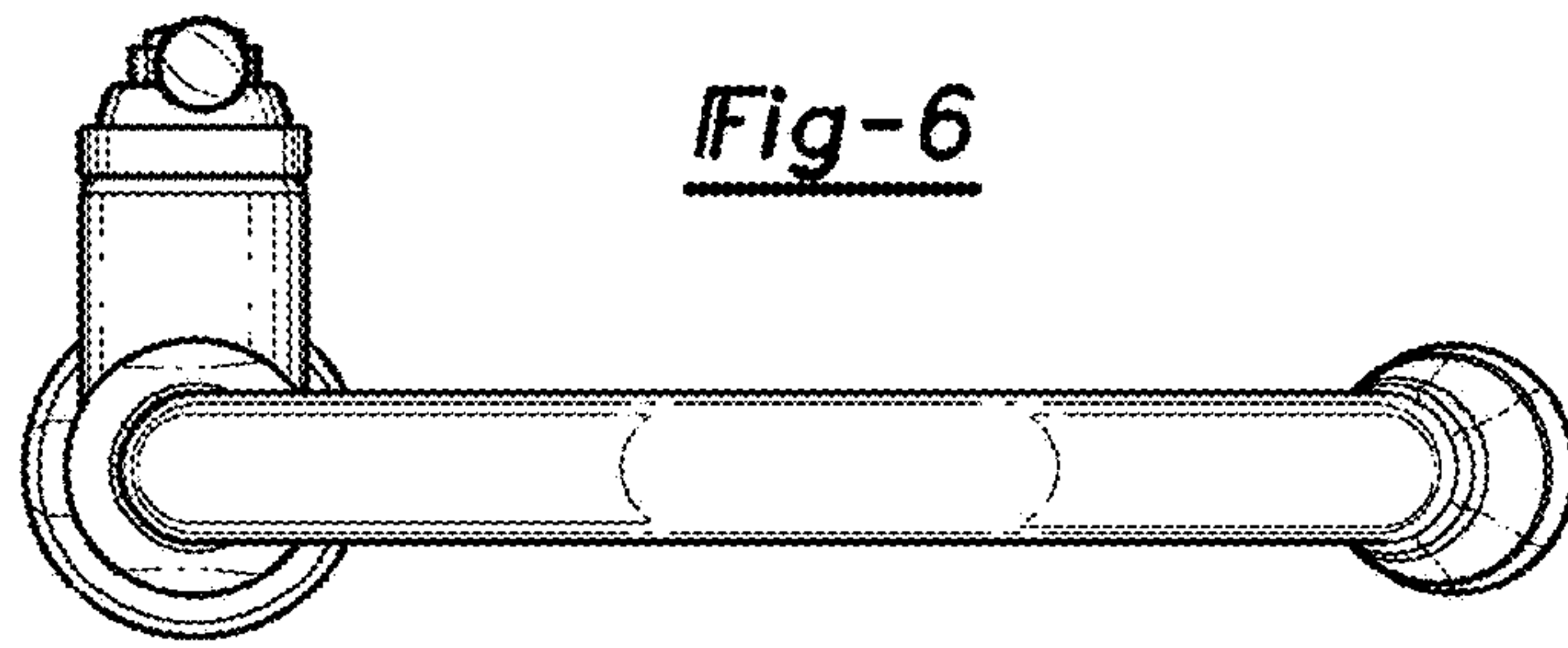


Fig-6

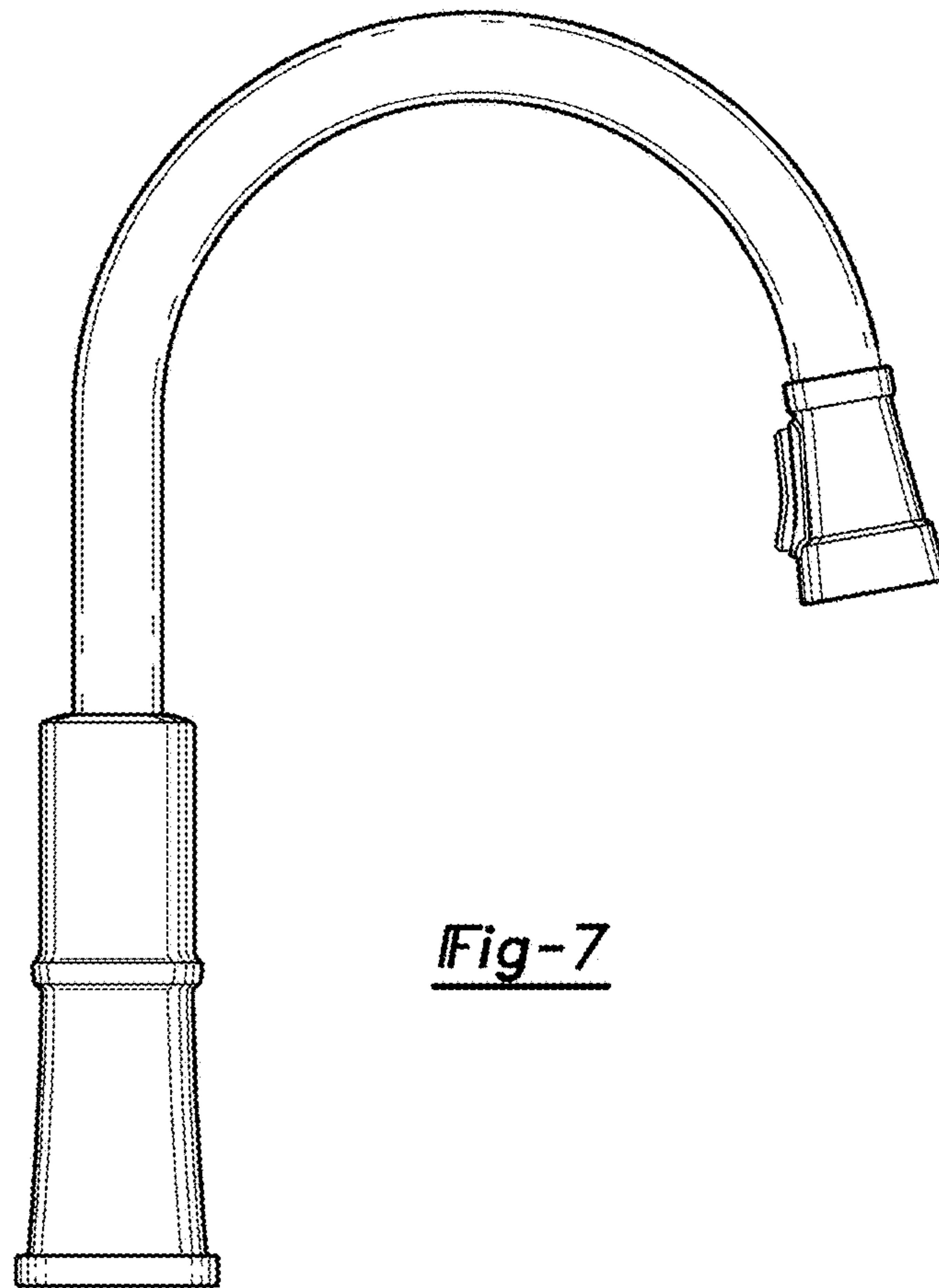


Fig-7

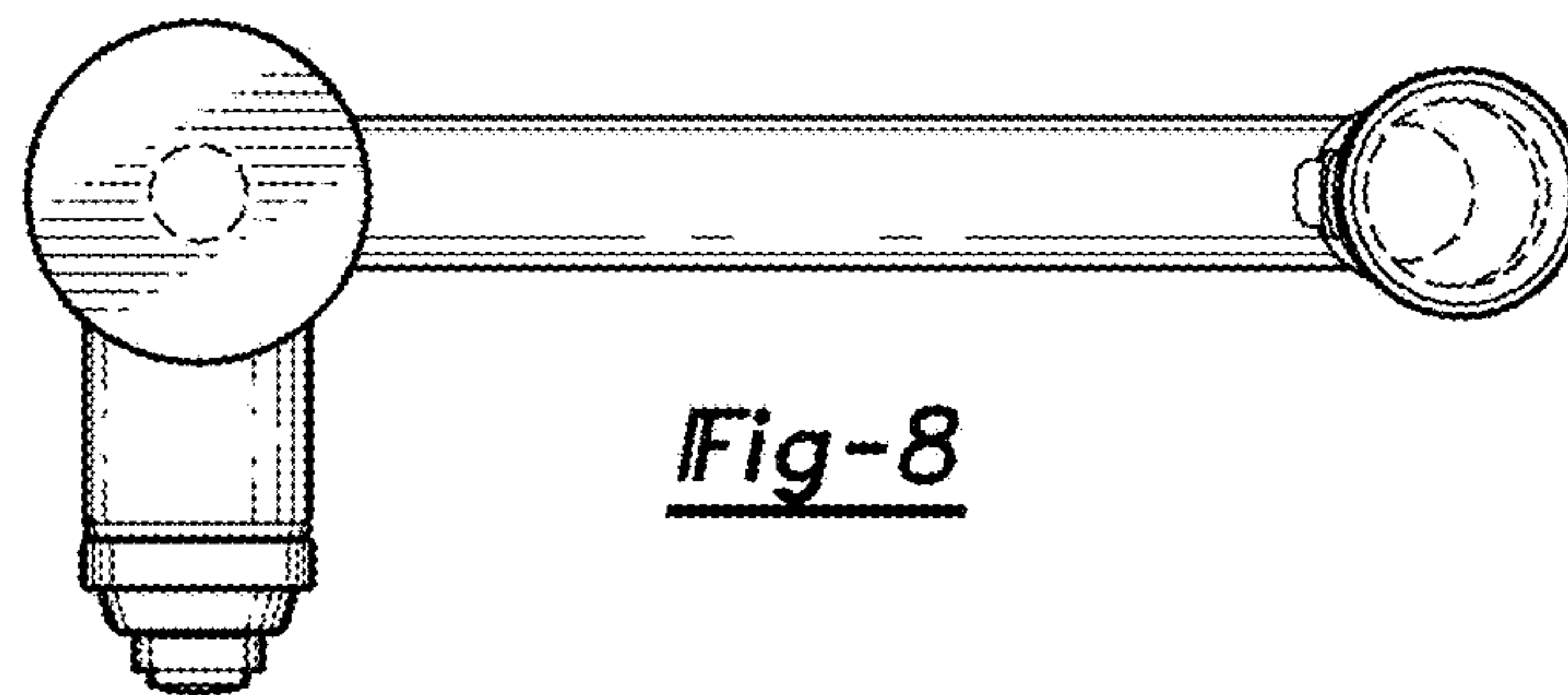


Fig-8

Fig-9

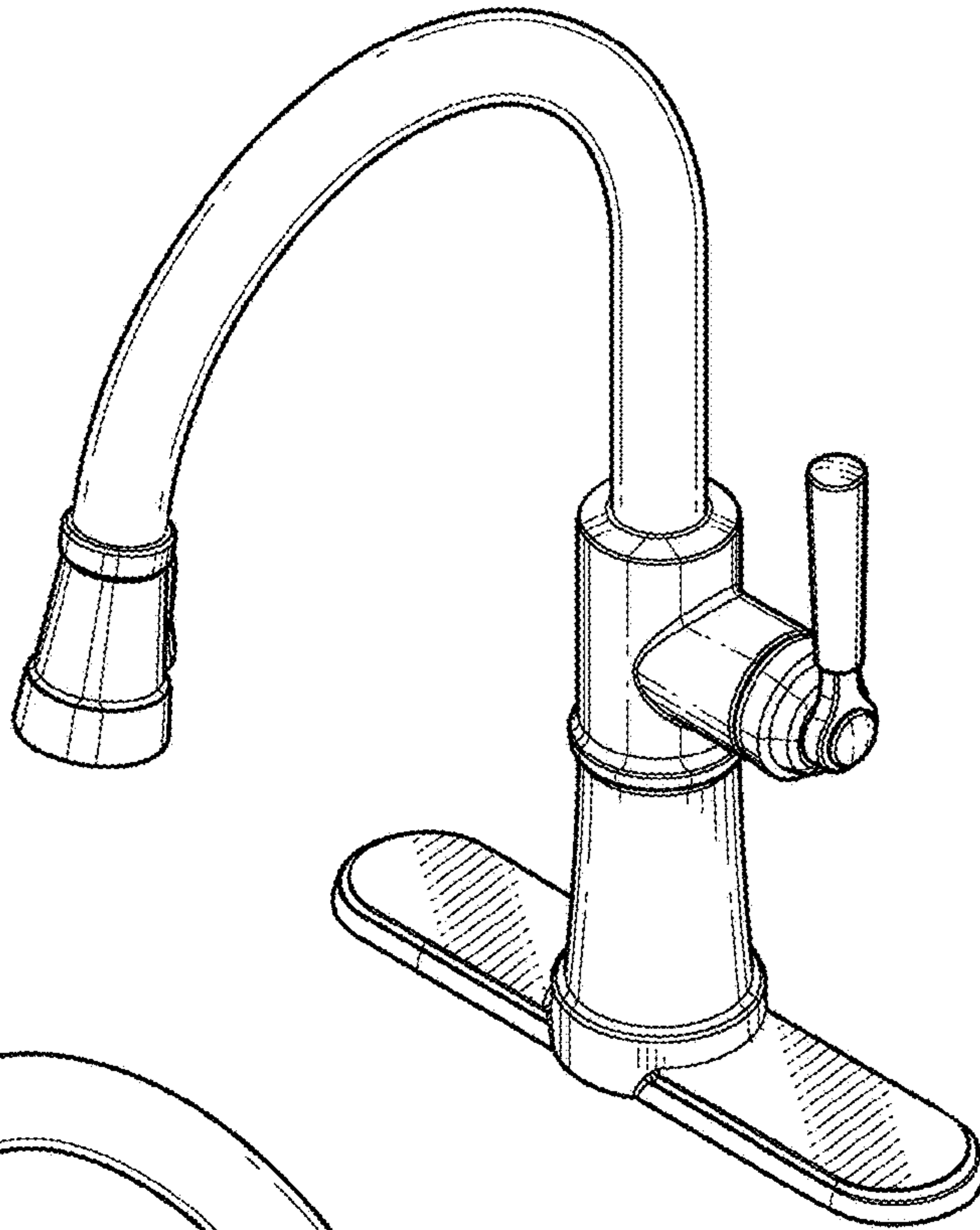
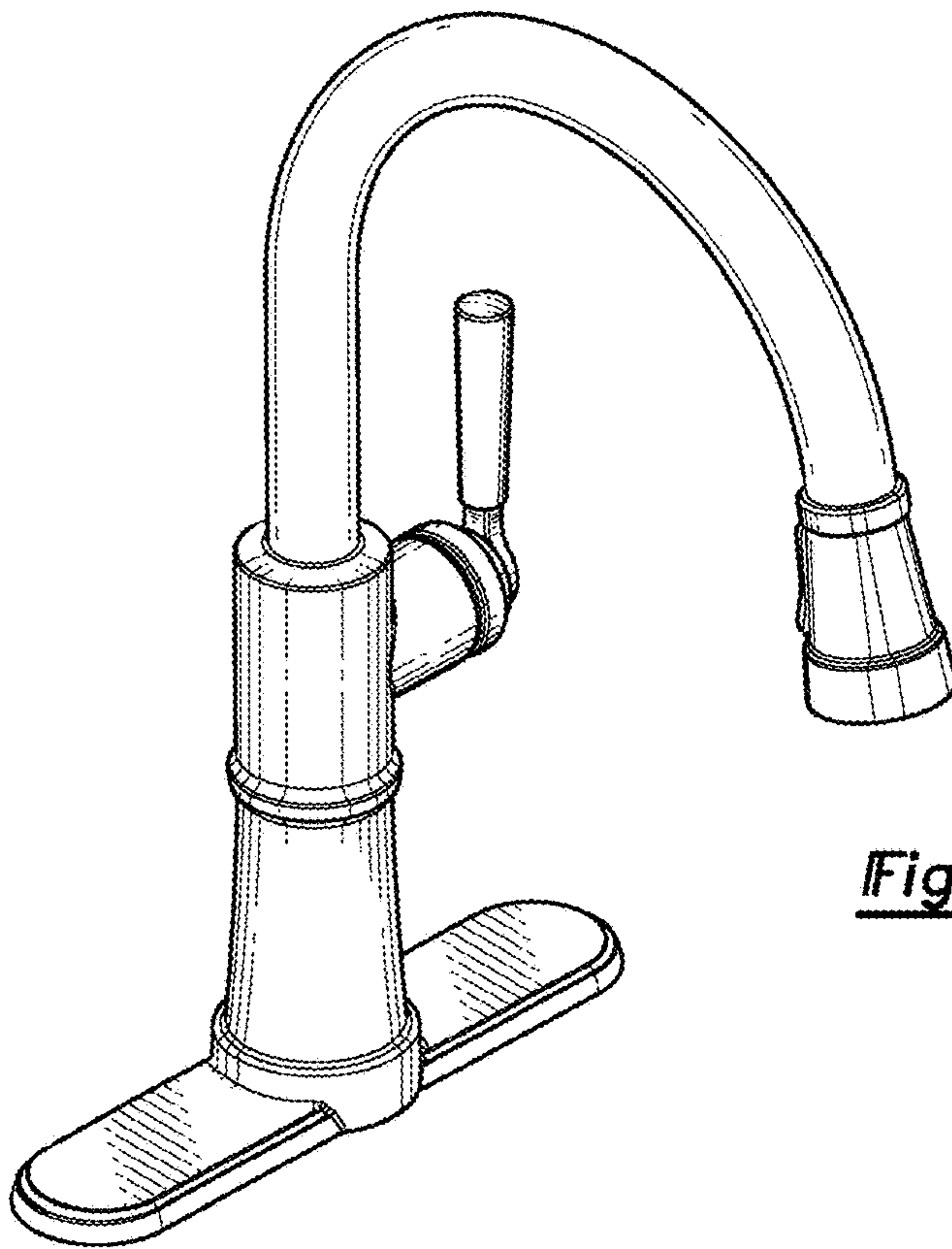


Fig-10



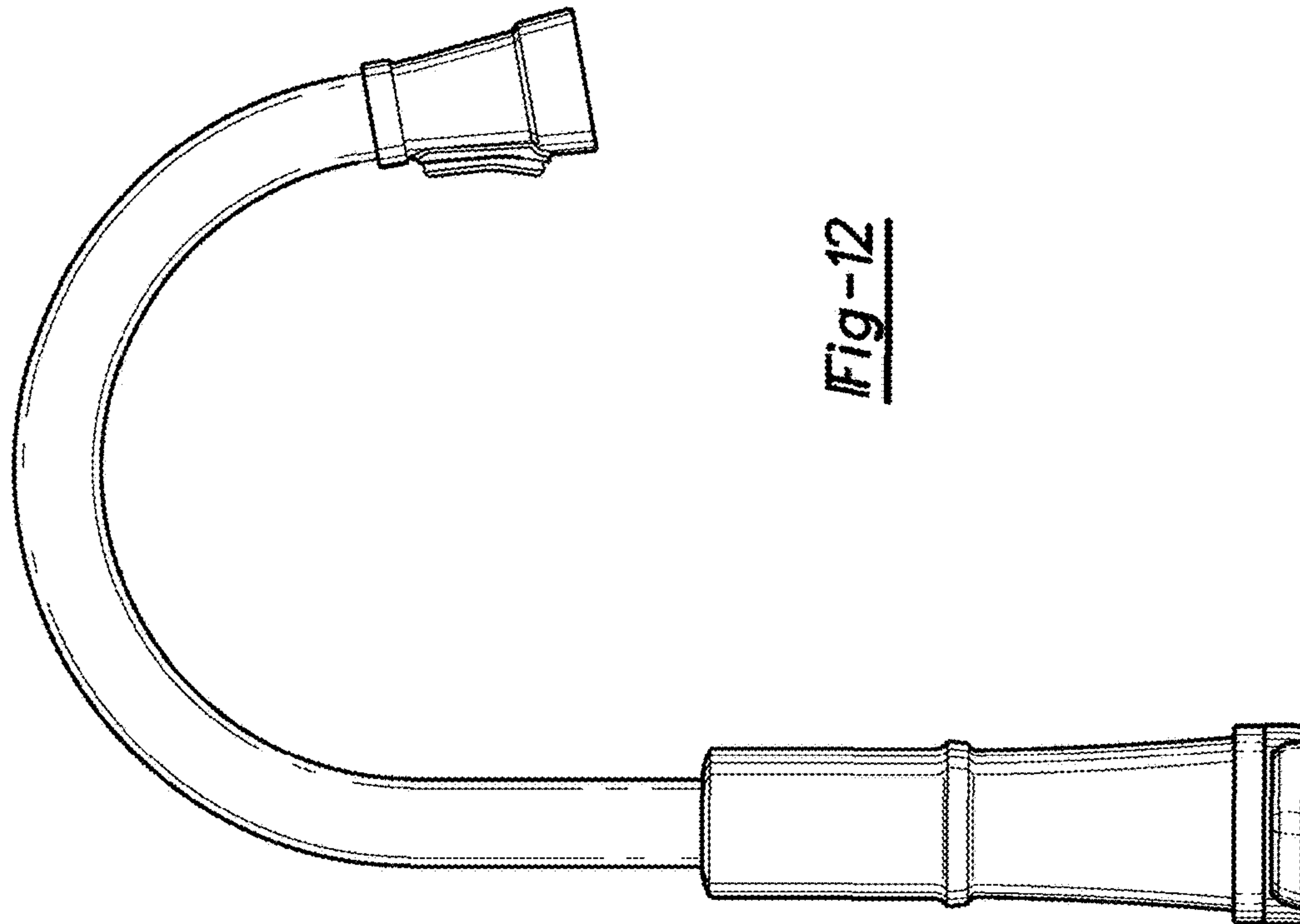


Fig-12

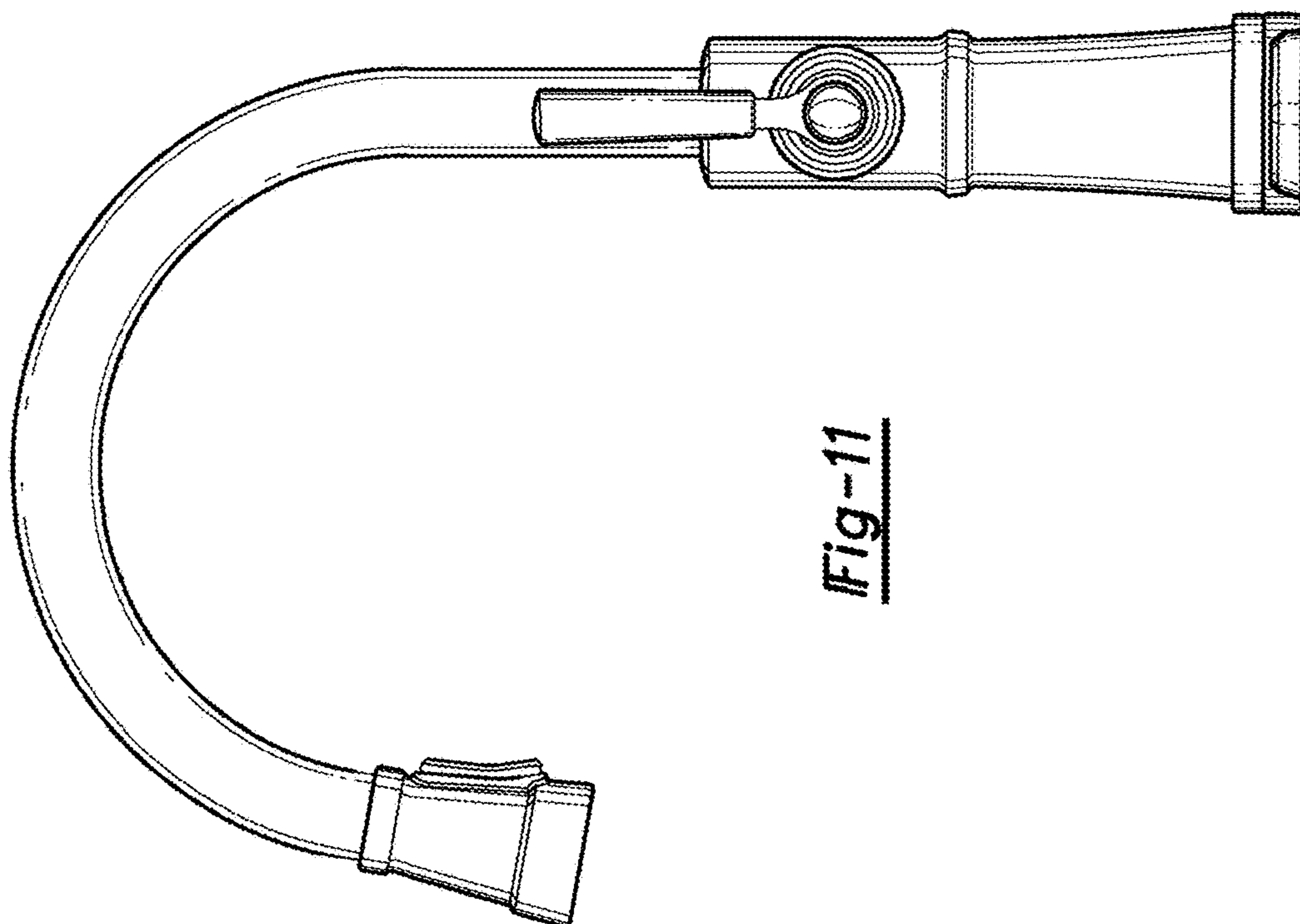


Fig-11

Fig-14

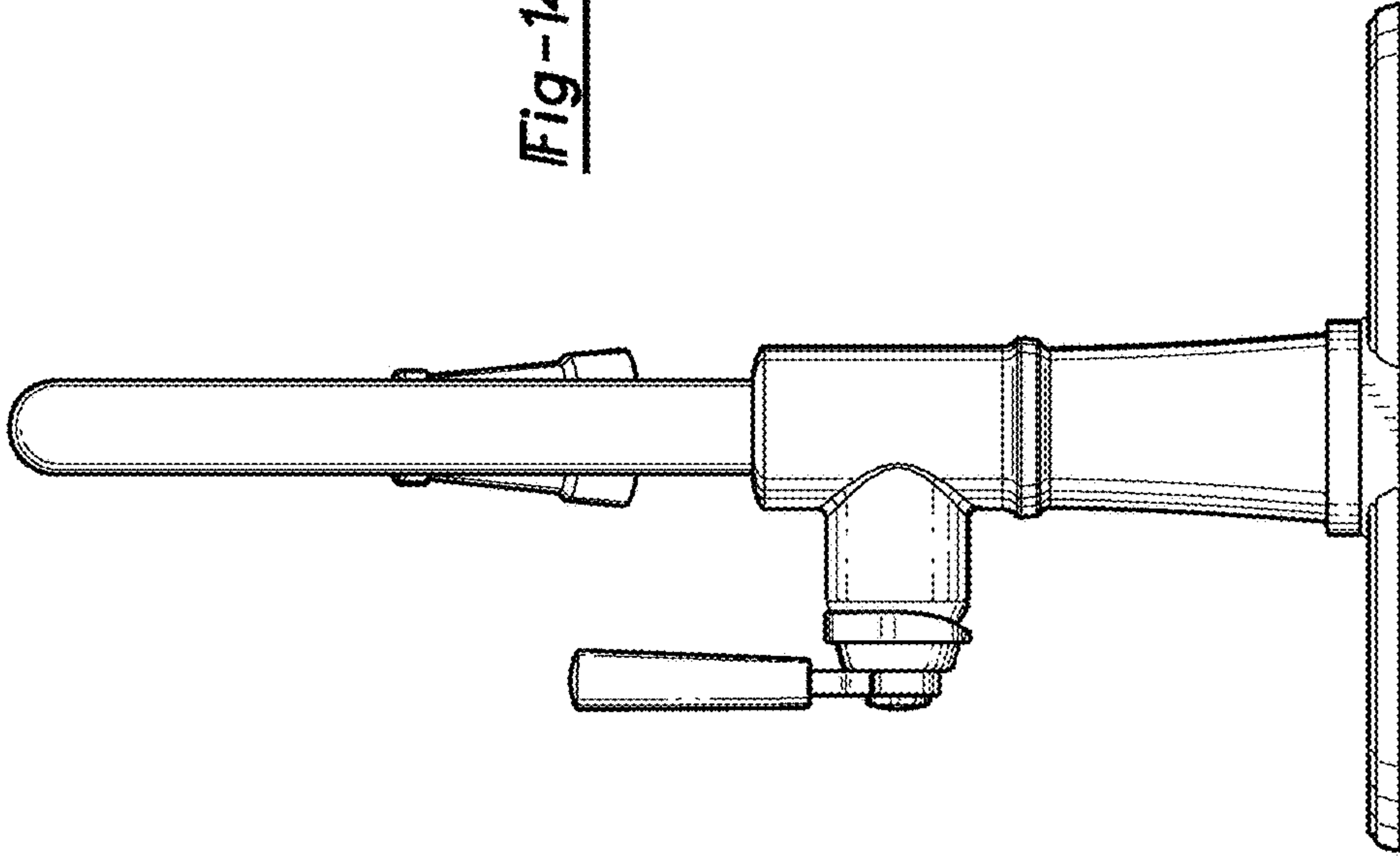
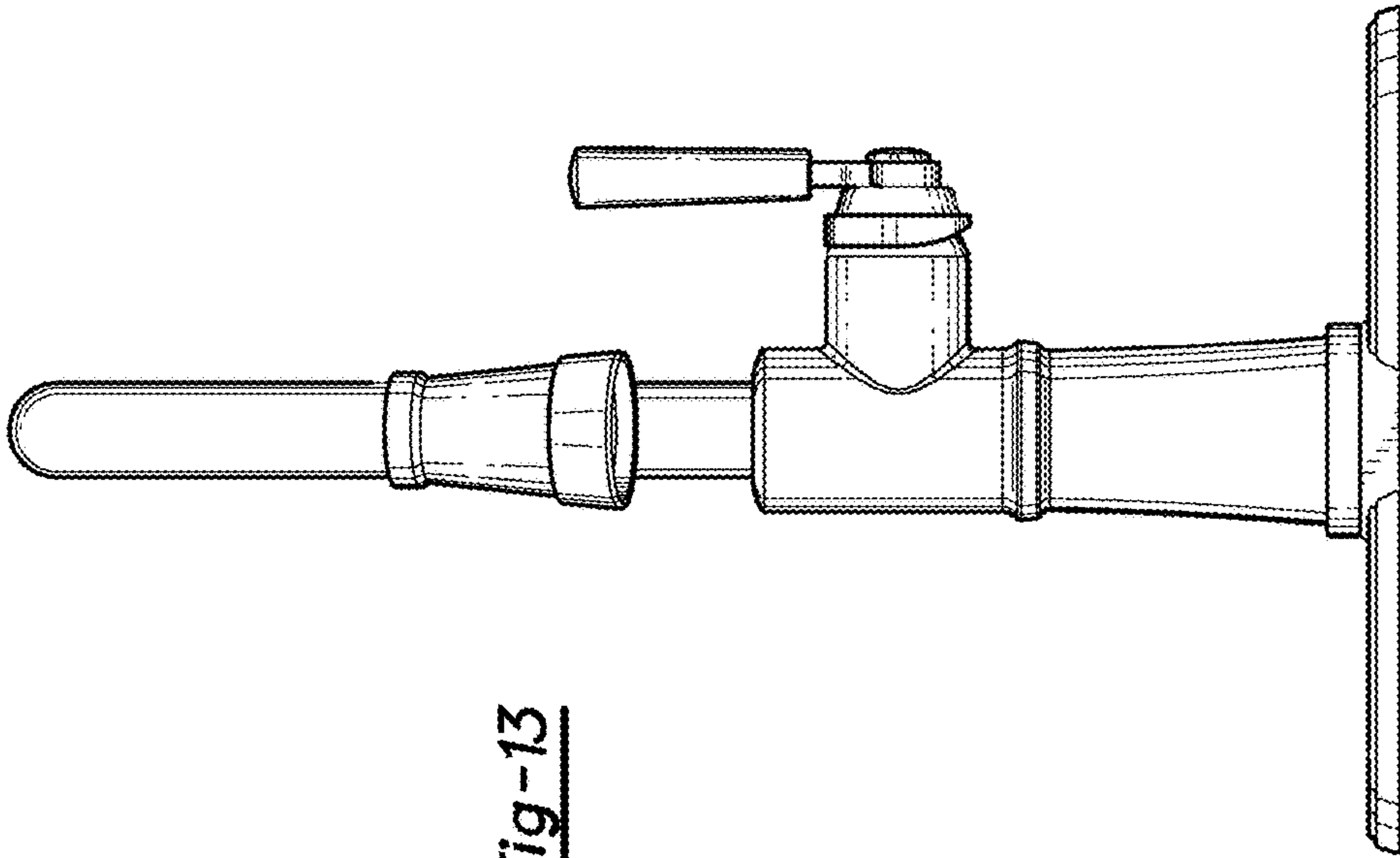


Fig-13



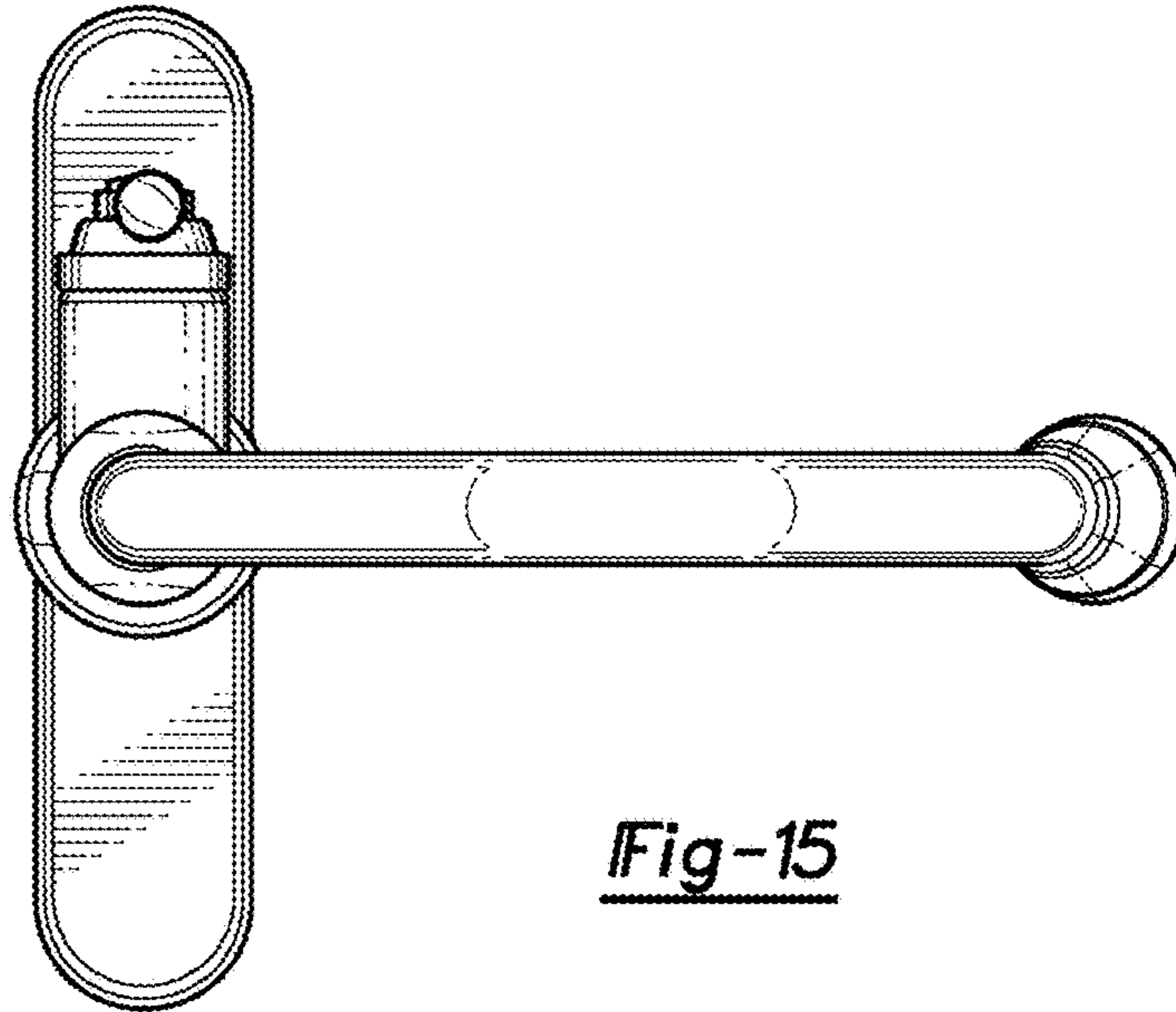


Fig-15

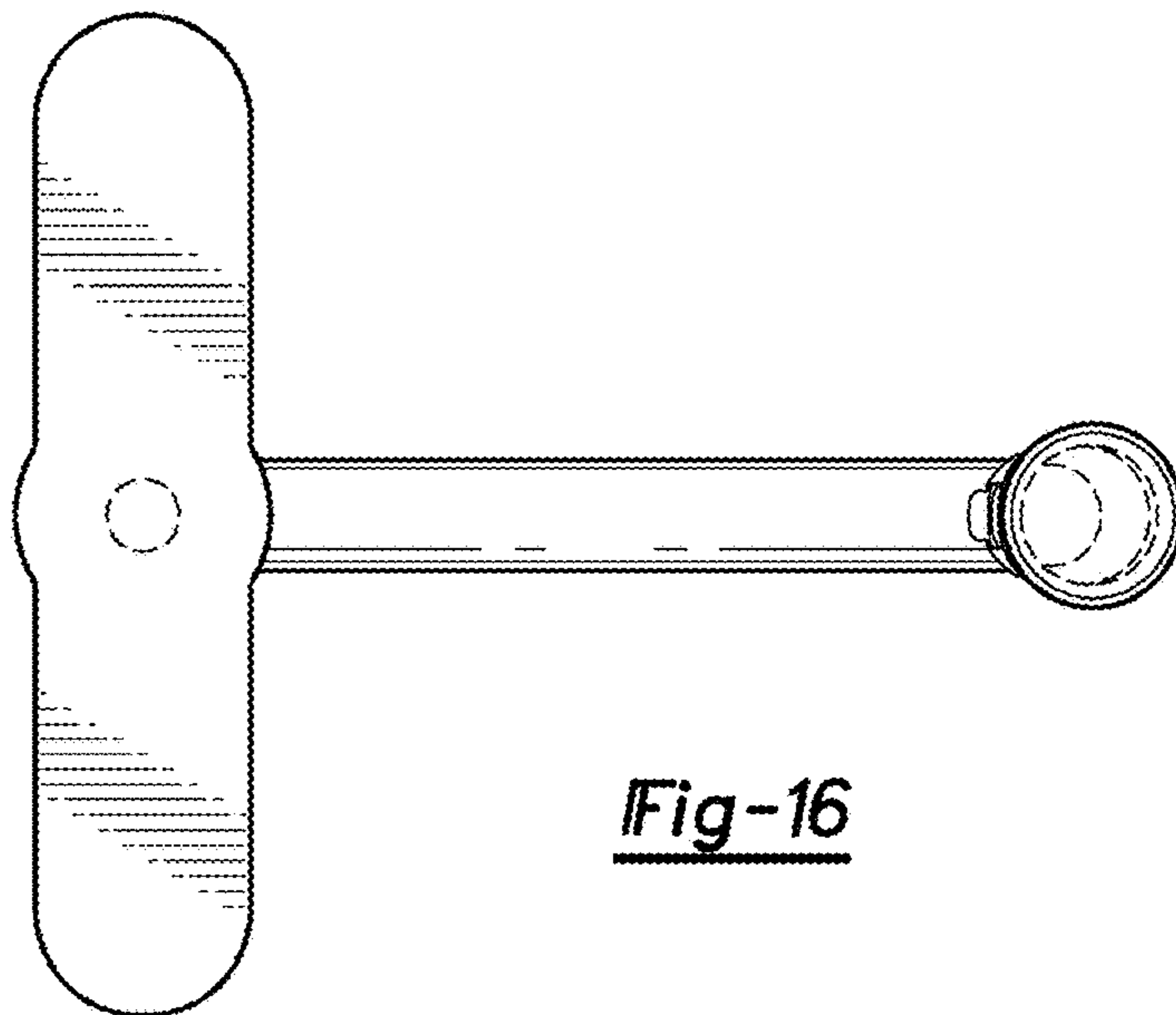


Fig-16