



US00D860390S

(12) **United States Design Patent**
Angelini

(10) **Patent No.:** **US D860,390 S**

(45) **Date of Patent:** **** Sep. 17, 2019**

(54) **FIRST STAGE PRESSURE REGULATOR**

(71) Applicant: **MARES S.p.A.**, Rapallo (IT)

(72) Inventor: **Sergio Angelini**, Lavagna (IT)

(**) Term: **15 Years**

(21) Appl. No.: **29/631,815**

(22) Filed: **Jan. 3, 2018**

(51) **LOC (12) Cl.** **23-01**

(52) **U.S. Cl.**
USPC **D23/235**

(58) **Field of Classification Search**
USPC D23/233, 235, 249; 128/201.11, 201.26,
128/202.27, 204.26, 201.27, 205.24;
137/375, 614.2, 908, 505
CPC B63C 11/2227; B63C 11/2209; B63C
11/186; B63C 11/08; B63C 11/205; B63C
2011/2281

See application file for complete search history.

(56) **References Cited**

U.S. PATENT DOCUMENTS

D283,740 S * 5/1986 Wiesinger, II D23/235
D416,076 S * 11/1999 Okitsu D23/235
6,601,609 B2 * 8/2003 Taylor B63C 11/2209
128/202.27
6,718,976 B1 * 4/2004 Matsuoka B63C 11/2227
128/204.26
6,932,085 B2 * 8/2005 Krawczyk B63C 11/2227
128/201.26

6,957,652 B2 * 10/2005 Matsuoka B63C 11/2227
128/201.27
7,617,825 B2 * 11/2009 Pedemonte B63C 11/2227
128/201.11
7,686,032 B2 * 3/2010 Garraffa B63C 11/2209
128/204.29
D732,642 S * 6/2015 Morgan D23/235

* cited by examiner

Primary Examiner — Cynthia Ramirez

Assistant Examiner — Gino Colan

(74) *Attorney, Agent, or Firm* — Themis Law

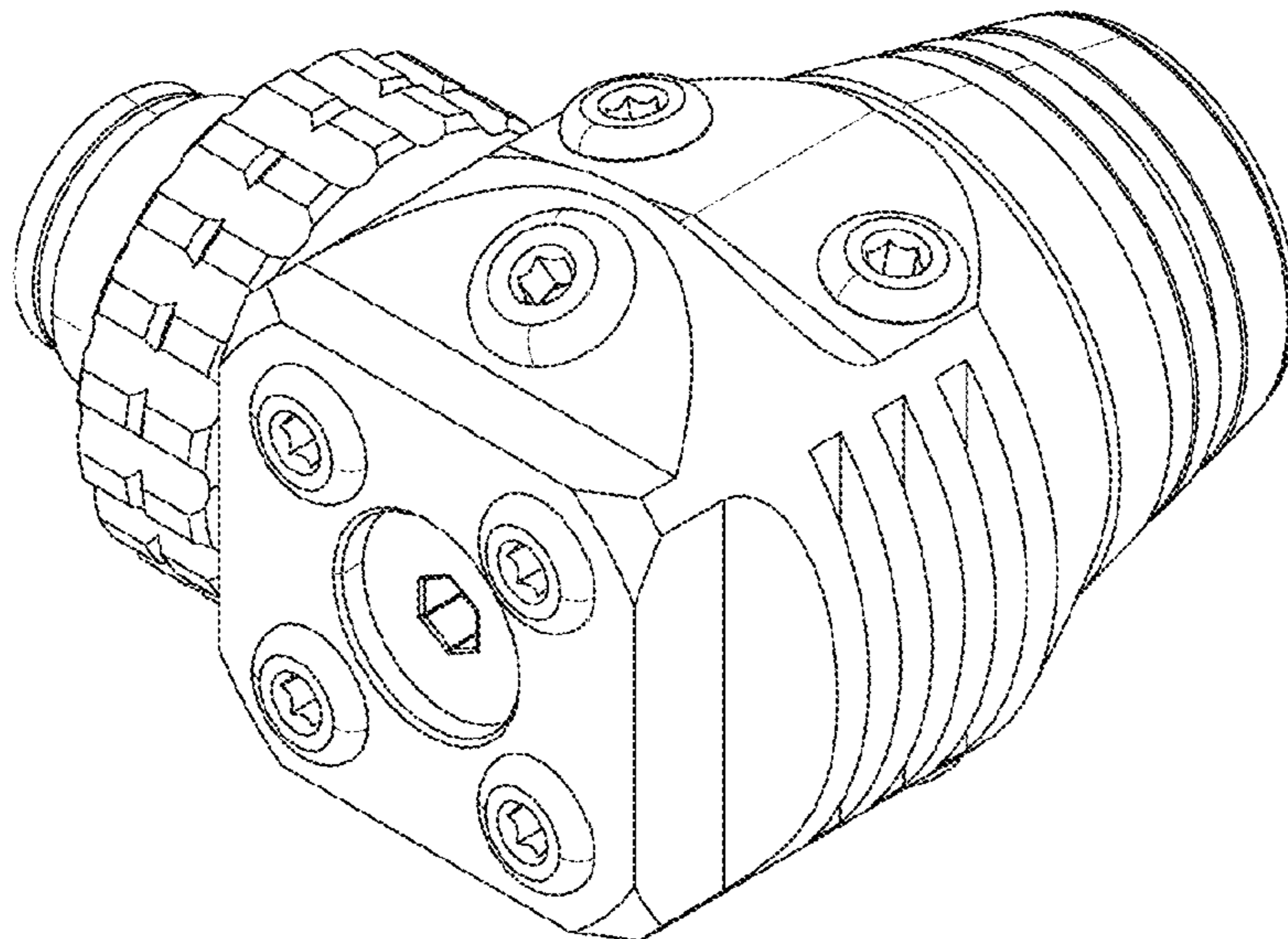
(57) **CLAIM**

The ornamental design for a first stage pressure regulator, as shown and described.

DESCRIPTION

FIG. 1 is a perspective view of a first stage pressure regulator showing my new design;
FIG. 2 is a front elevational view thereof;
FIG. 3 is a rear elevational view thereof;
FIG. 4 is a left side view thereof;
FIG. 5 is a right side view thereof;
FIG. 6 is a top plan view thereof; and,
FIG. 7 is a bottom plan view thereof.
The broken lines shown in the figures are included for the purpose of illustrating portions of the first stage pressure regulator and form no part of the claimed design.

1 Claim, 7 Drawing Sheets



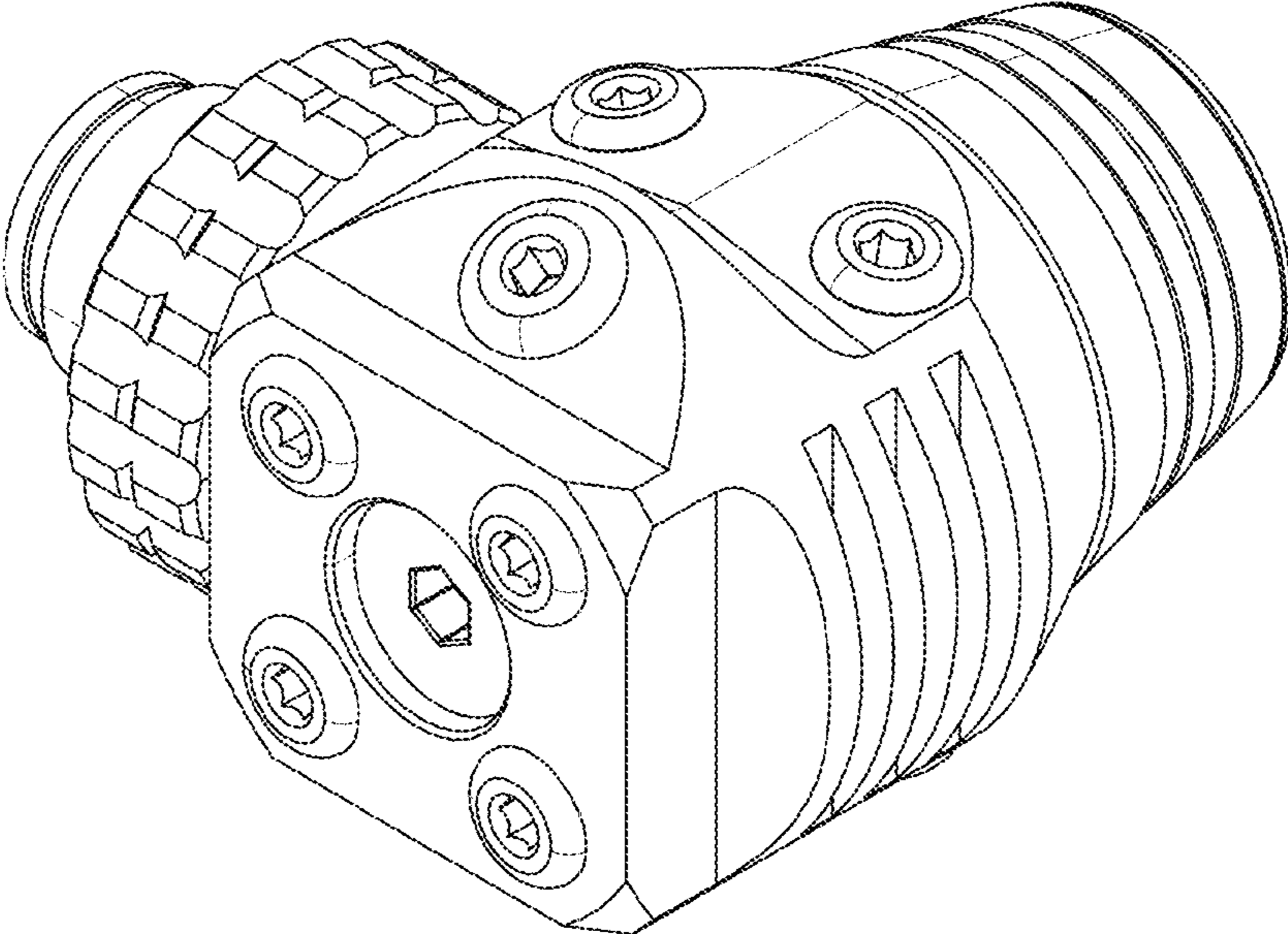


FIG. 1

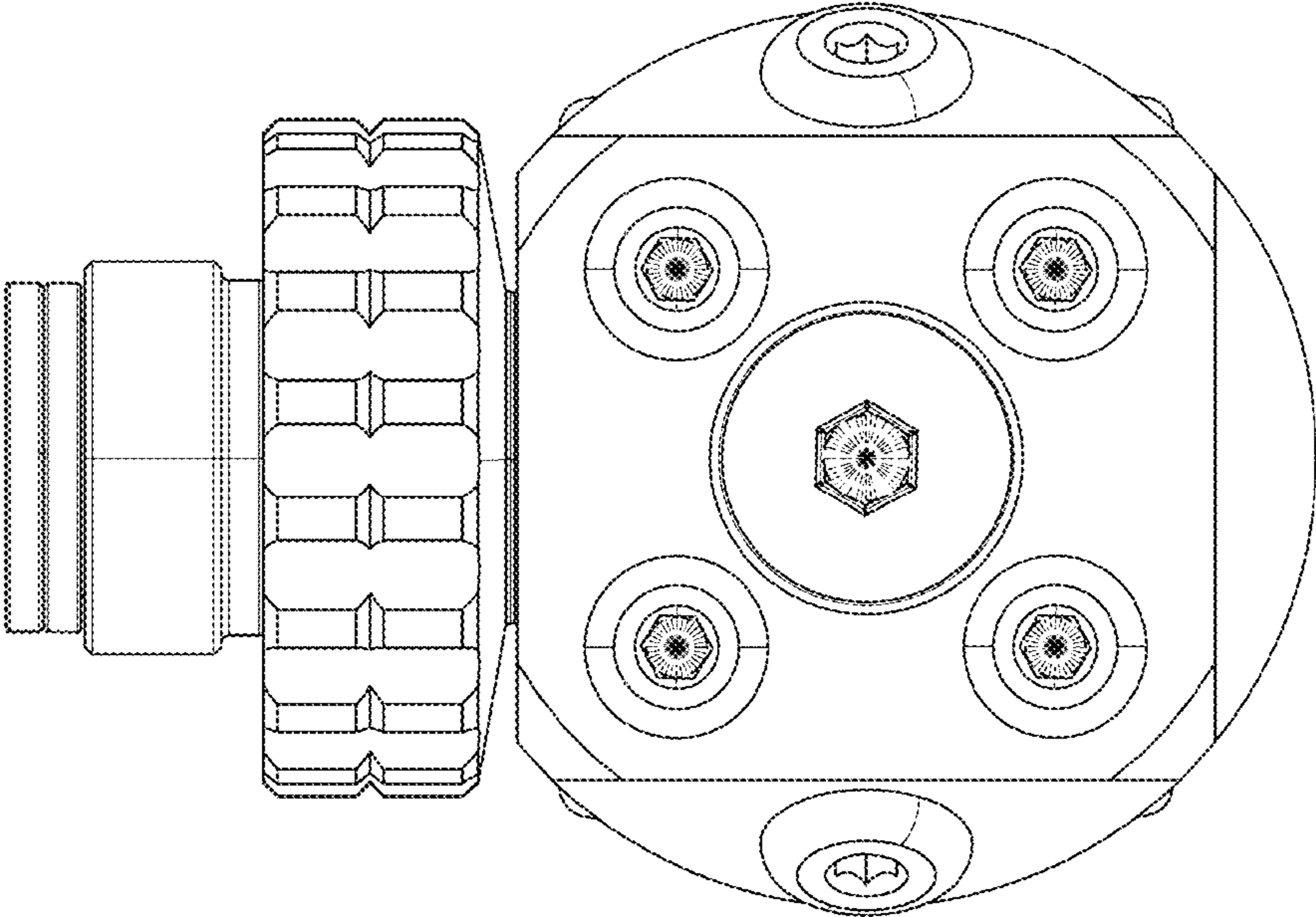


FIG. 2

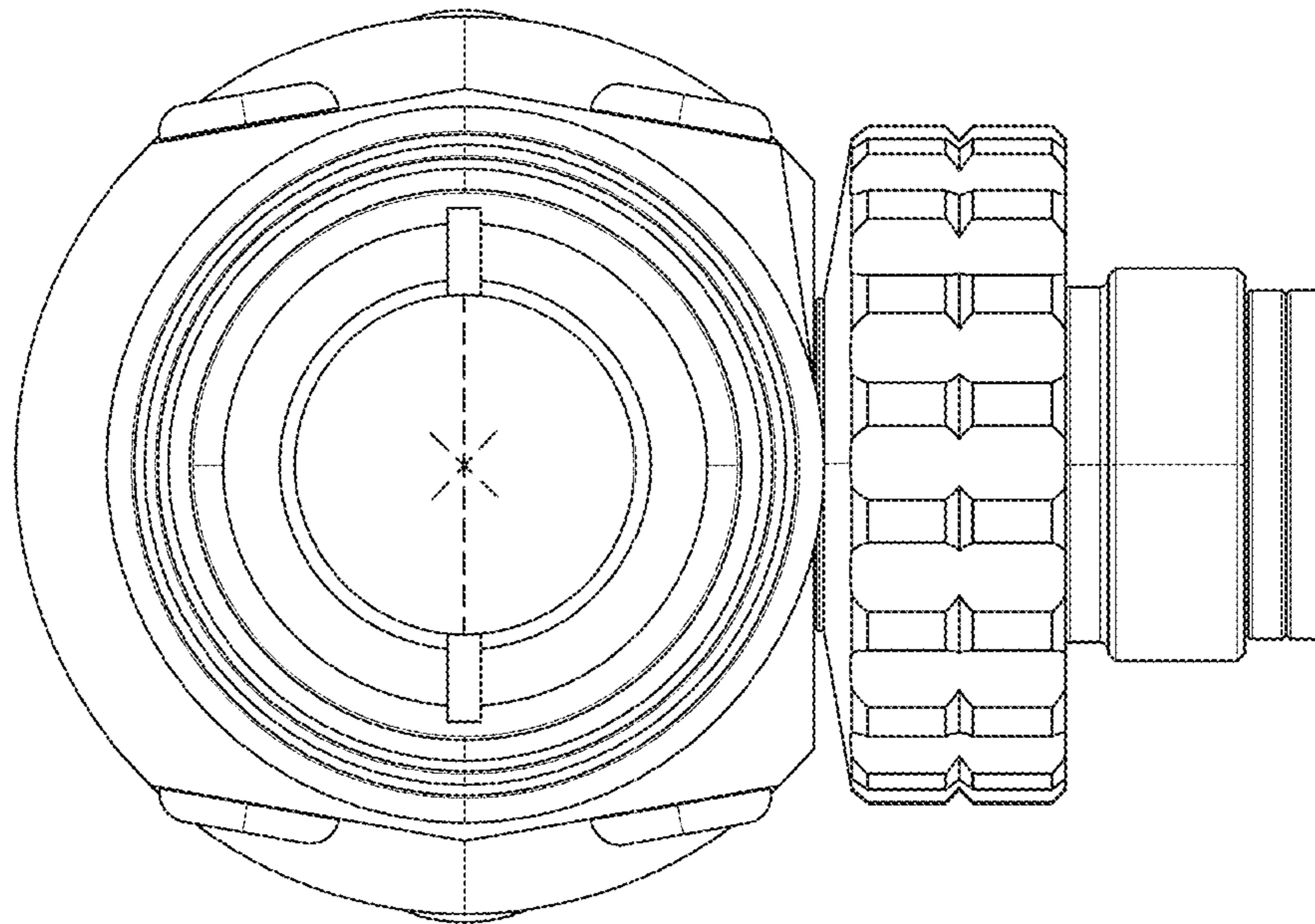


FIG. 3

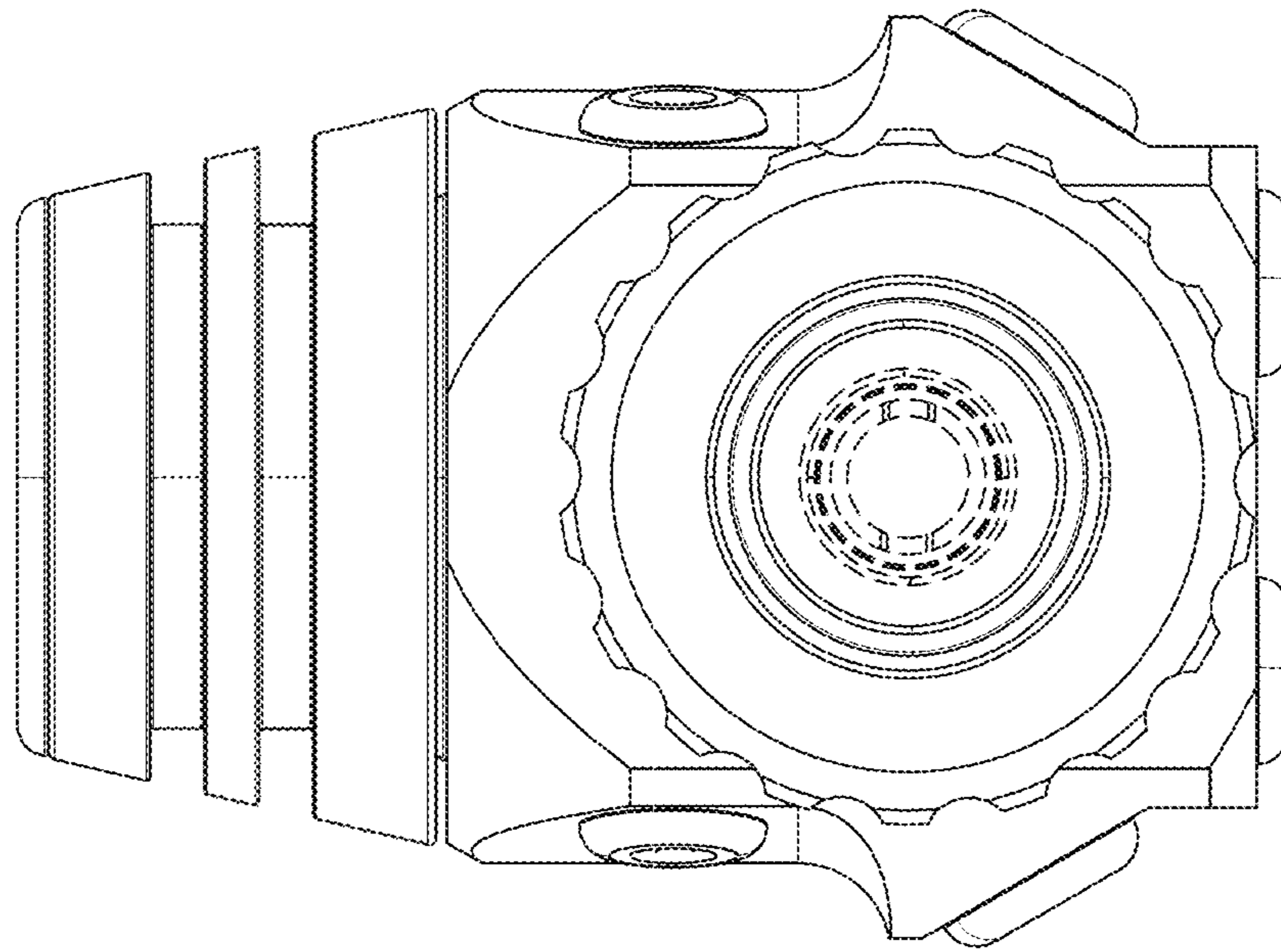


FIG. 4

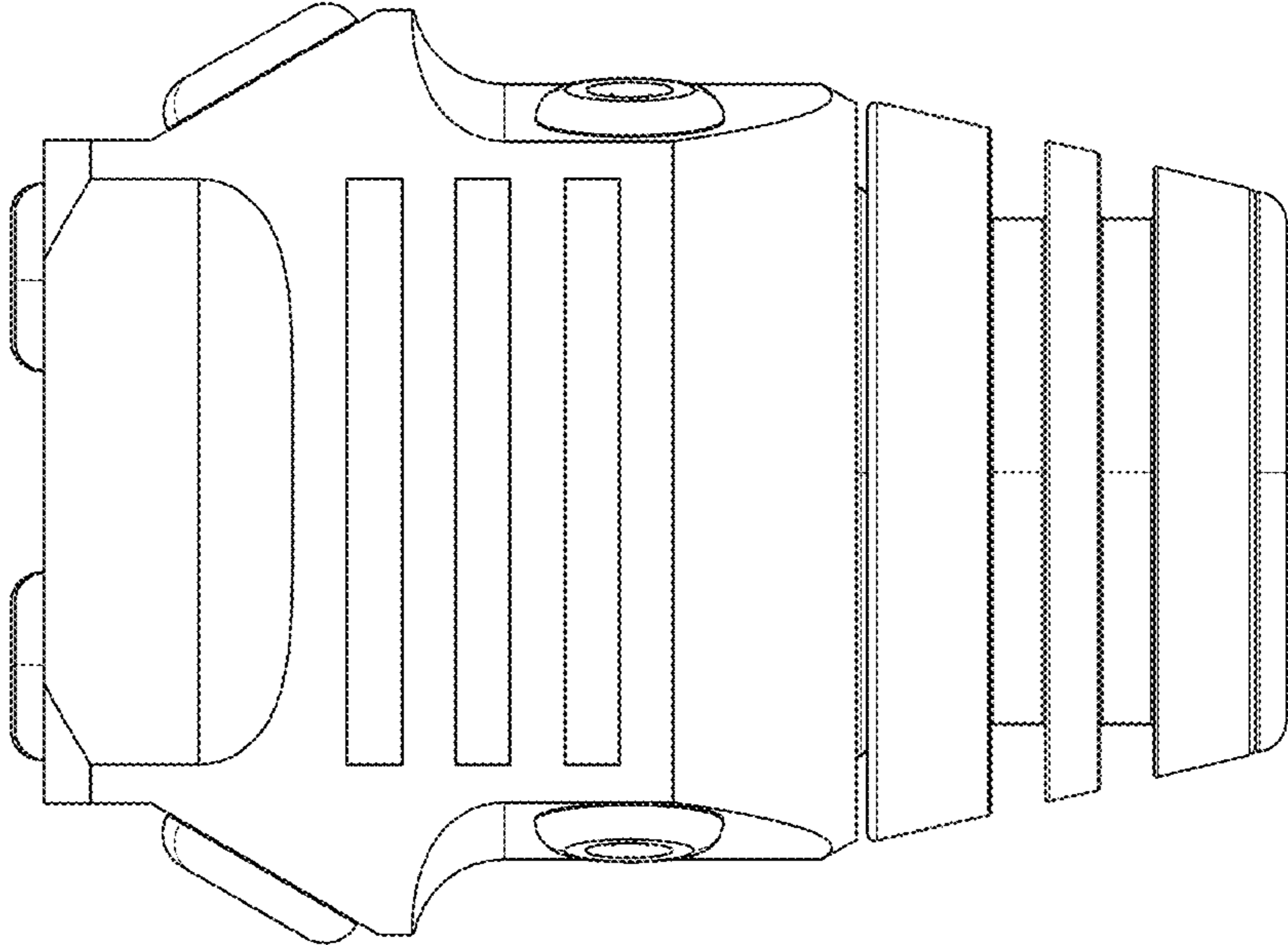


FIG. 5

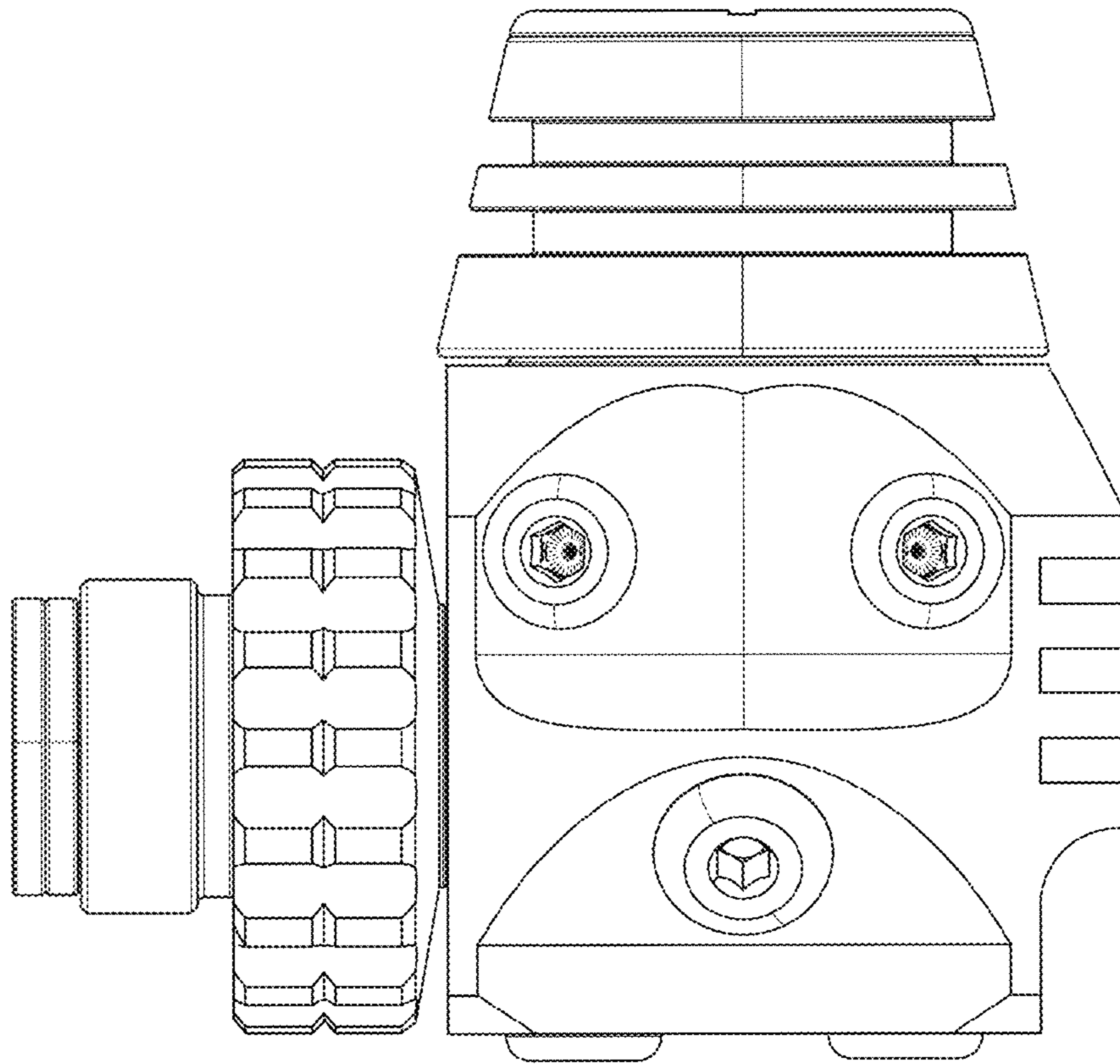


FIG. 6

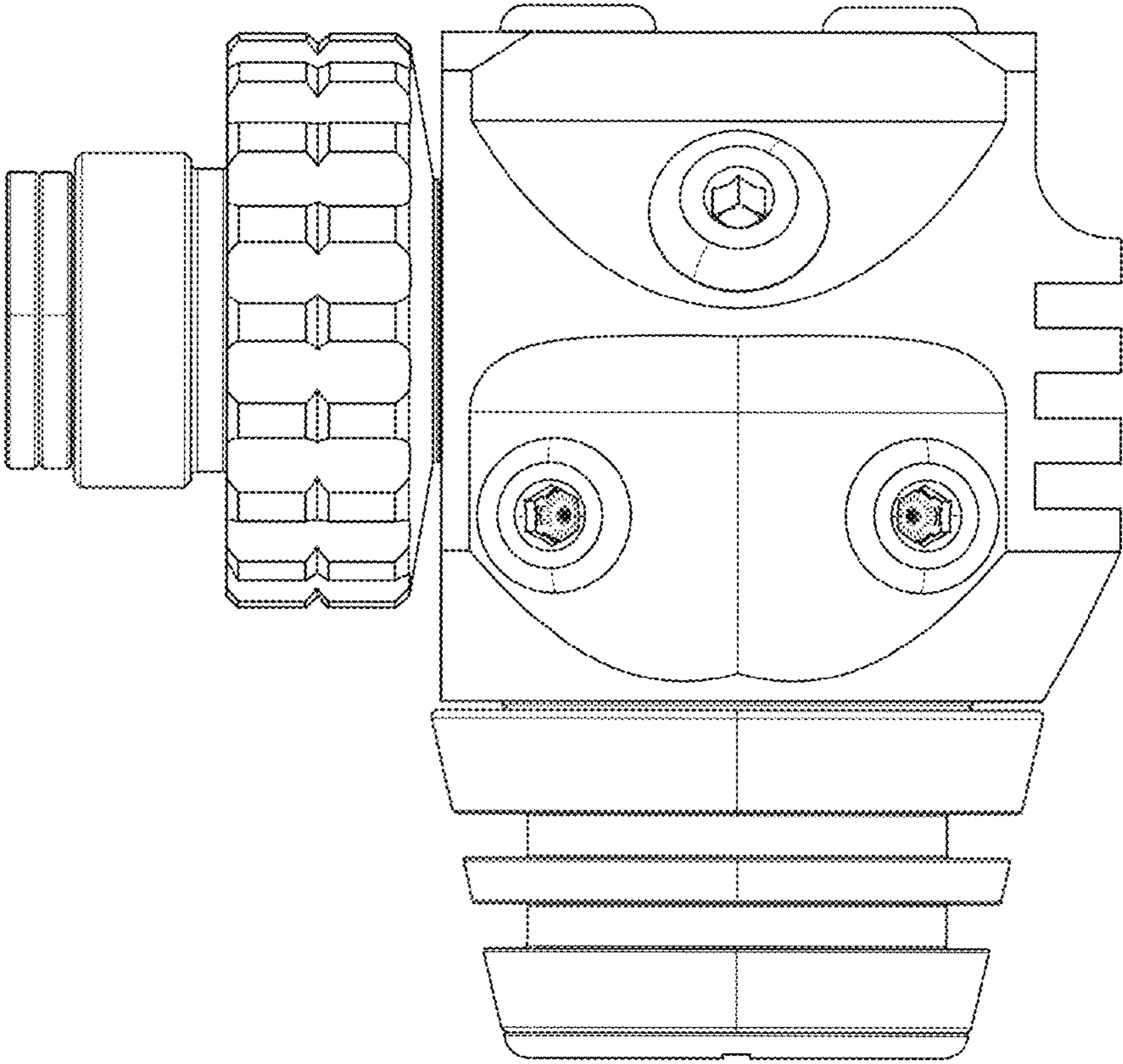


FIG. 7