



US00D860389S

(12) **United States Design Patent**
Stein et al.

(10) **Patent No.:** **US D860,389 S**
(45) **Date of Patent:** **** Sep. 17, 2019**

(54) FLOW REGULATOR	D435,632 S	12/2000	Allison	
	D536,417 S	2/2007	Buttgen	
(71) Applicant: NEOPERL GMBH , Müllheim (DE)	7,374,366 B2 *	5/2008	Tasi	E03C 1/084 210/456
(72) Inventors: Alexander Stein , Ihringen (DE); Simon Twitchett , Worcester (GB)	D676,525 S	2/2013	Jones	
	D721,417 S	1/2015	Sawchuck	
	D762,814 S	8/2016	Sawchuck	
(73) Assignee: NEOPERL GMBH , Mullheim (DE)	9,404,596 B2 *	8/2016	Chen	F16K 15/02
	D777,879 S	1/2017	Sawchuck	
(**) Term: 15 Years	9,637,896 B2 *	5/2017	Tempel	E03C 1/084
	10,017,924 B2 *	7/2018	Zoller	E03C 1/084

* cited by examiner

(21) Appl. No.: **29/614,607**

(22) Filed: **Aug. 21, 2017**

Related U.S. Application Data

(62) Division of application No. 29/556,970, filed on Mar. 4, 2016, now Pat. No. Des. 798,999.

(30) **Foreign Application Priority Data**

Nov. 18, 2015 (WO) WIPO48731

(51) **LOC (12) Cl.** **23-01**

(52) **U.S. Cl.**
USPC **D23/213**

(58) **Field of Classification Search**
USPC D23/213; 4/678; 239/428.5, 581.1,
239/582.1, 581.2; 261/DIG. 22
CPC E03C 1/084; B05B 7/0425; F15D 1/025
See application file for complete search history.

(56) **References Cited**

U.S. PATENT DOCUMENTS

5,467,929 A 11/1995 Bosio
6,029,912 A 2/2000 Woolley

Primary Examiner — Robin V Webster

(74) *Attorney, Agent, or Firm* — Volpe and Koenig, P.C.

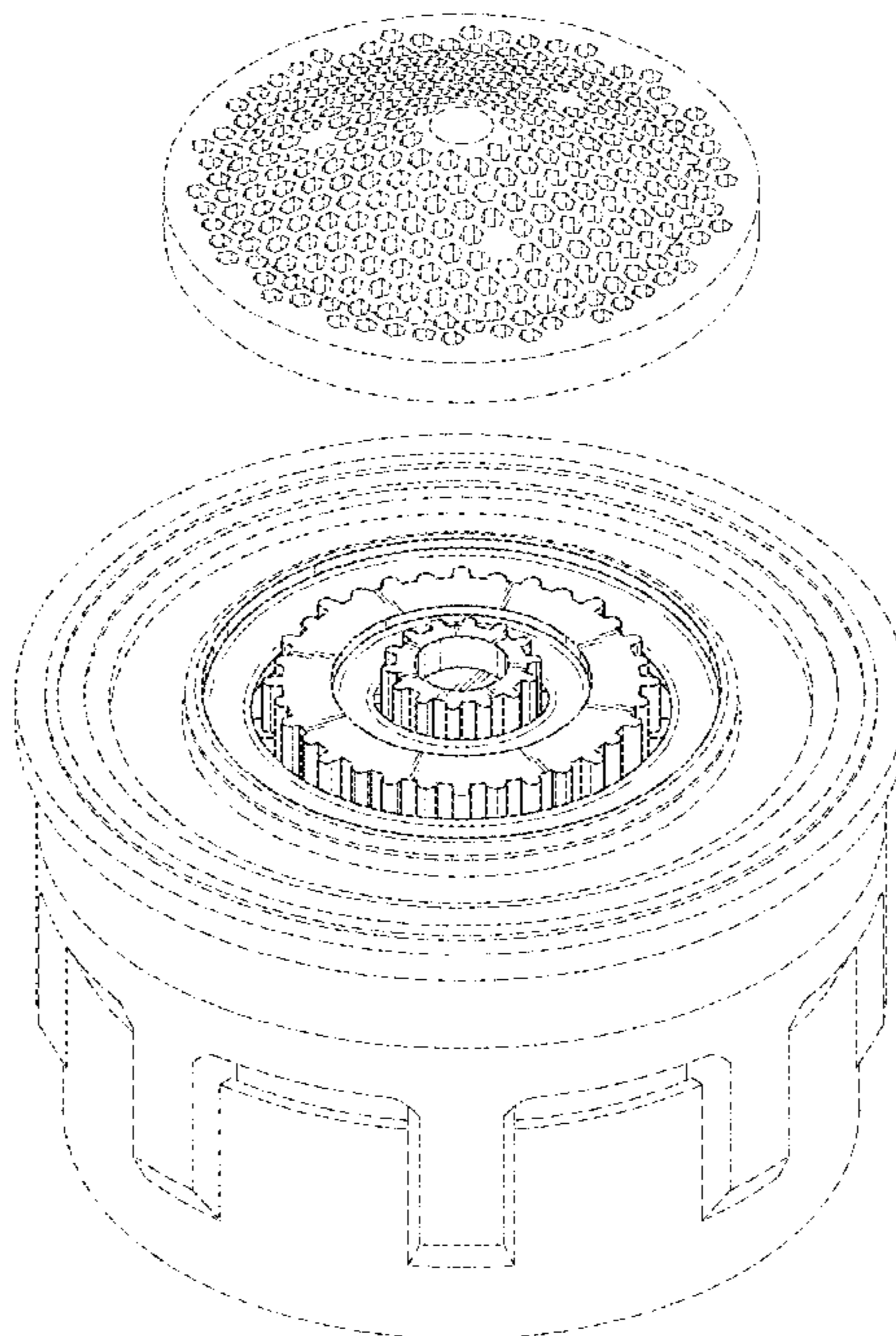
(57) **CLAIM**

The ornamental design for a flow regulator, as shown and described.

DESCRIPTION

FIG. 1 is a top isometric view of the flow regulator of our design;
FIG. 2 is a top plan view thereof;
FIG. 3 is a front elevational view thereof, the rear, right and left views being identical thereto; and,
FIG. 4 is an exploded top isometric view thereof.
The broken lines shown in the drawings depict environment and form no part of the claimed design.

1 Claim, 4 Drawing Sheets



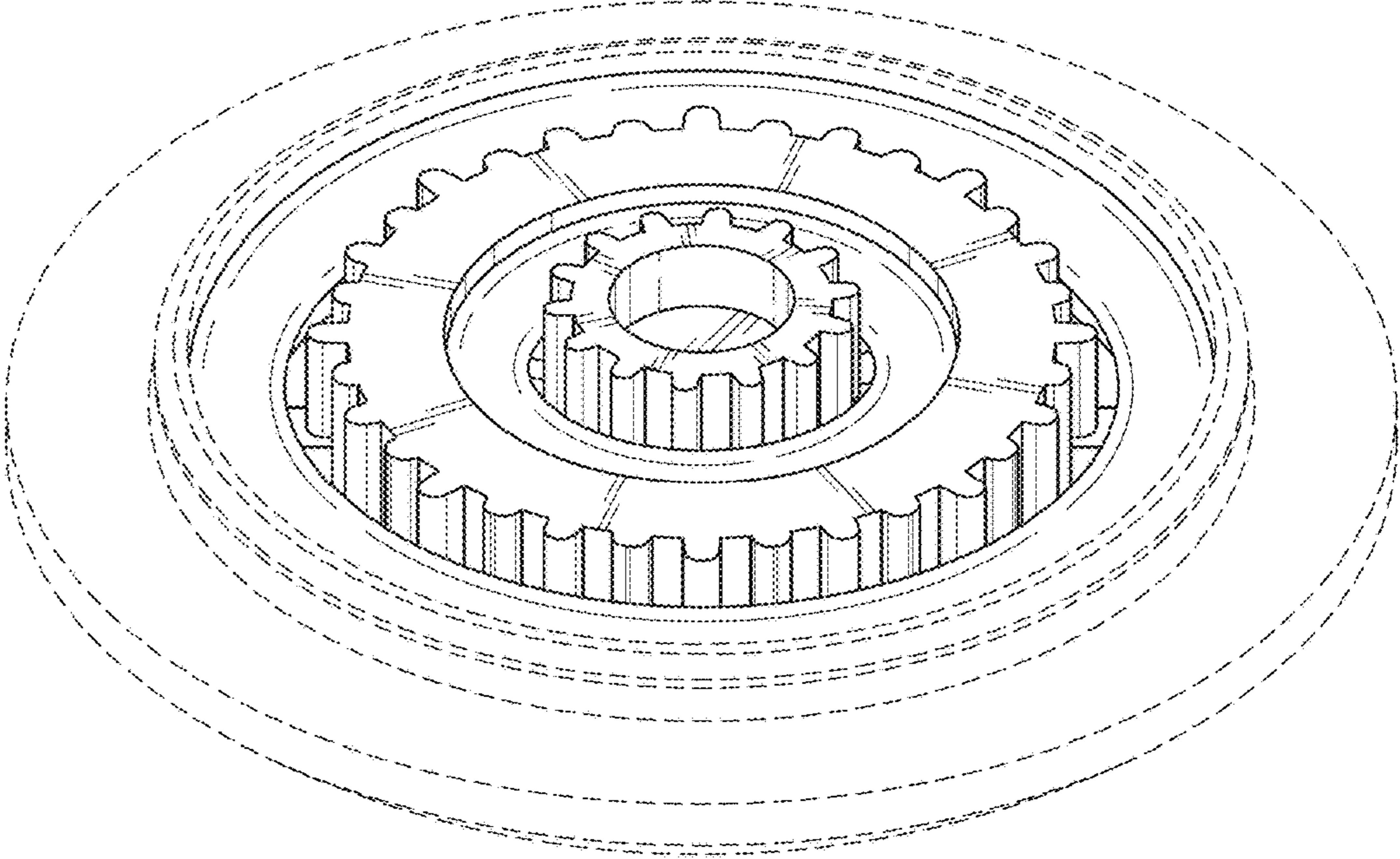


FIG. 1

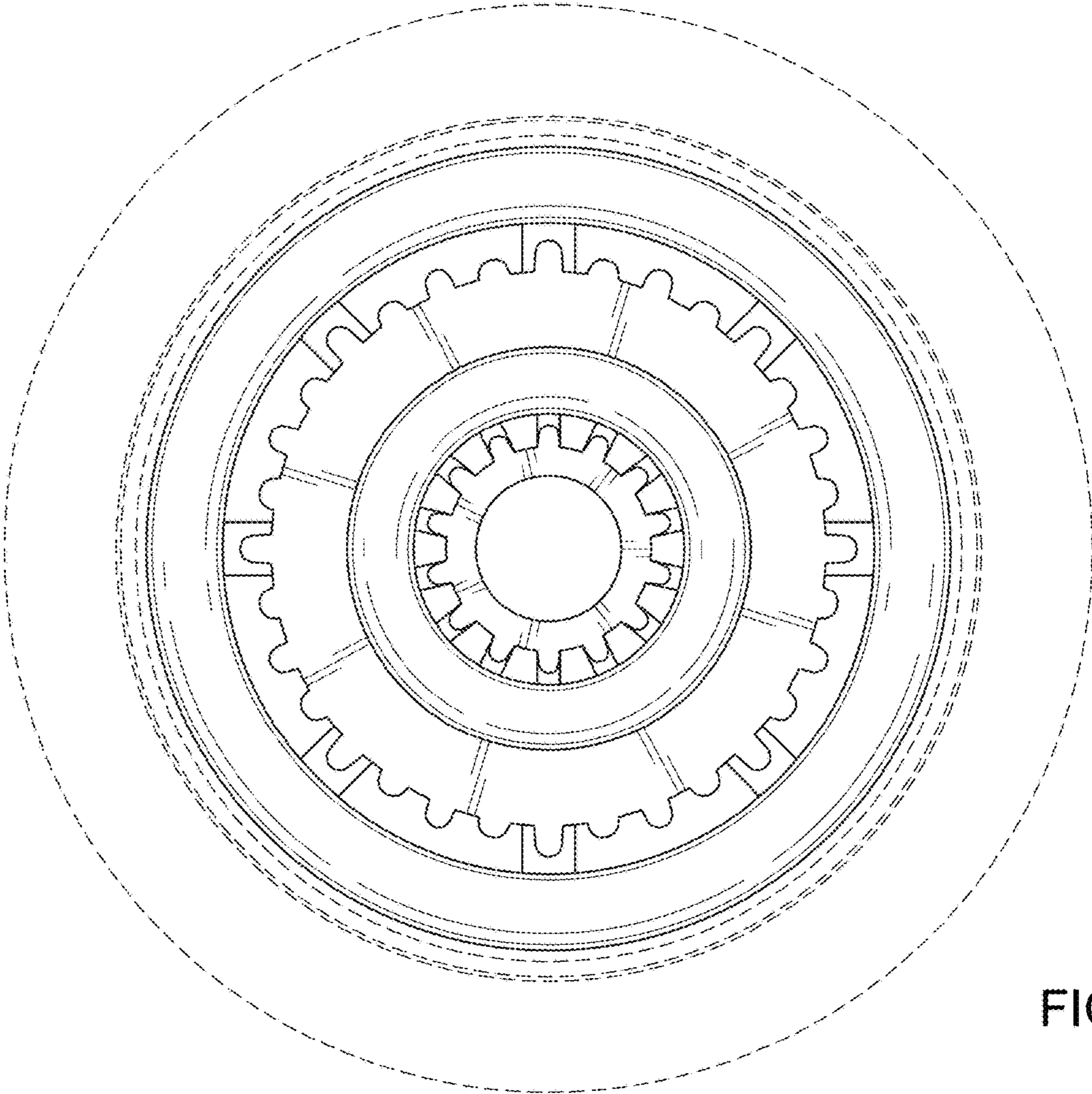


FIG. 2



FIG. 3

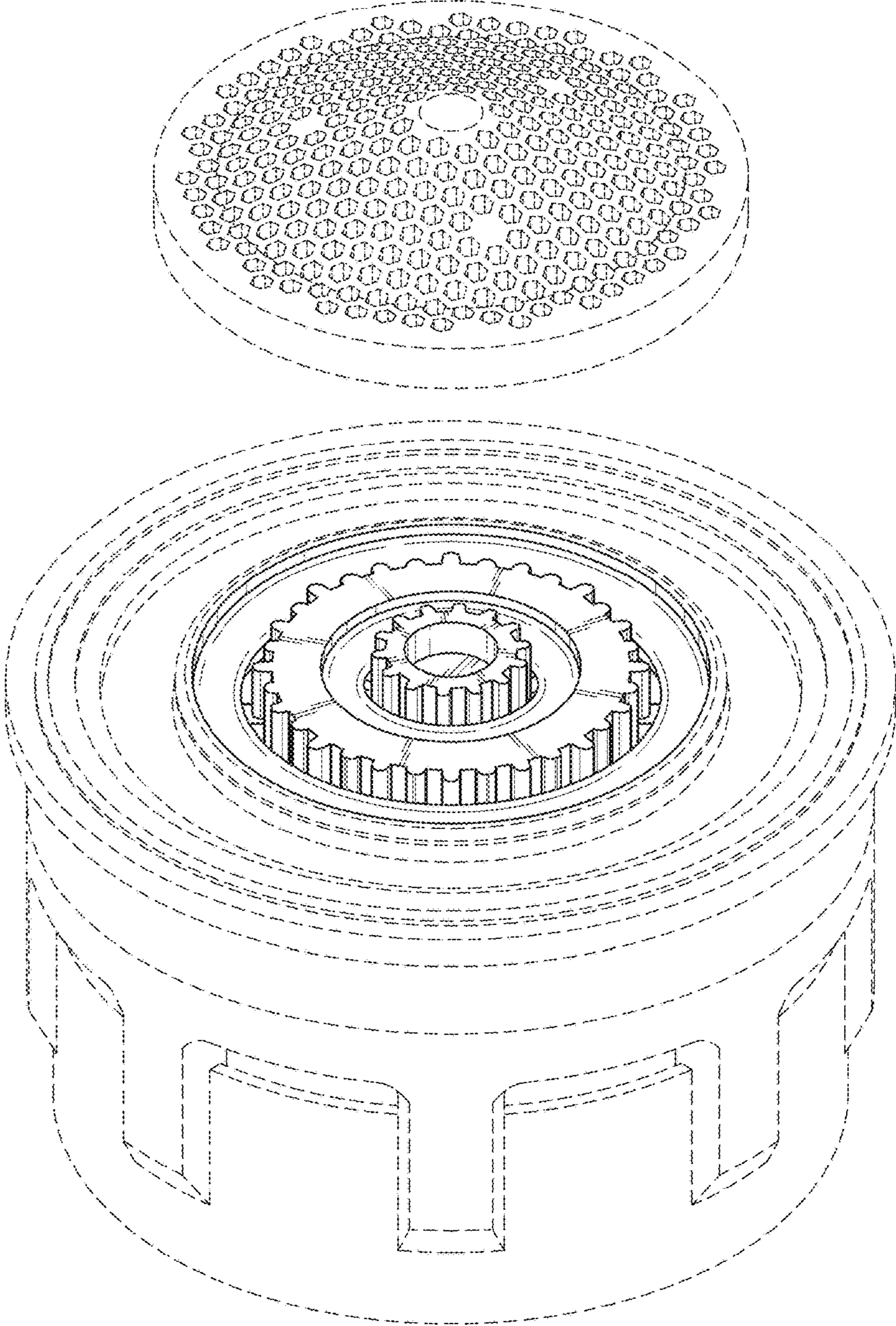


FIG. 4