



US00D860388S

(12) **United States Design Patent**
Slocum

(10) **Patent No.:** **US D860,388 S**

(45) **Date of Patent:** **** Sep. 17, 2019**

(54) **POOL CHLORINATOR**

D757,211 S * 5/2016 Slocum D11/160
D830,225 S * 10/2018 Suchla D11/124

(71) Applicant: **WowJ LLC**, Scottsdale, AZ (US)

* cited by examiner

(72) Inventor: **Kathleen M. Slocum**, Scottsdale, AZ (US)

Primary Examiner — Robin V Webster

Assistant Examiner — Keith J Wilson

(**) Term: **15 Years**

(74) *Attorney, Agent, or Firm* — Thomas W. Galvani, P.C.; Thomas W. Galvani

(21) Appl. No.: **29/643,334**

(57) **CLAIM**

The ornamental design for an ornamental pool chlorinator, as shown and described.

(22) Filed: **Apr. 6, 2018**

(51) **LOC (12) Cl.** **23-01**

DESCRIPTION

(52) **U.S. Cl.**

USPC **D23/208**; D23/207

(58) **Field of Classification Search**

USPC D23/207, 208, 209; D11/131, 133, 121, D11/160; D99/25; 210/167.11, 167.2, 210/167.1, 242.1

CPC C02F 1/688; E04H 4/1281; E04H 4/1263

See application file for complete search history.

FIG. 1 is a front perspective view of an ornamental pool chlorinator shown in accordance with my new design;

FIG. 2 is a rear perspective view of the ornamental pool chlorinator shown in FIG. 1;

FIG. 3 is a front elevation view of the ornamental pool chlorinator shown in FIG. 1;

FIG. 4 is a rear elevation view of the ornamental pool chlorinator shown in FIG. 1;

FIG. 5 is a right side elevation view of the ornamental pool chlorinator shown in FIG. 1;

FIG. 6 is a left side elevation view of the ornamental pool chlorinator shown in FIG. 1;

FIG. 7 is a top plan view of the ornamental pool chlorinator shown in FIG. 1; and,

FIG. 8 is a bottom plan view of the ornamental pool chlorinator shown in FIG. 1.

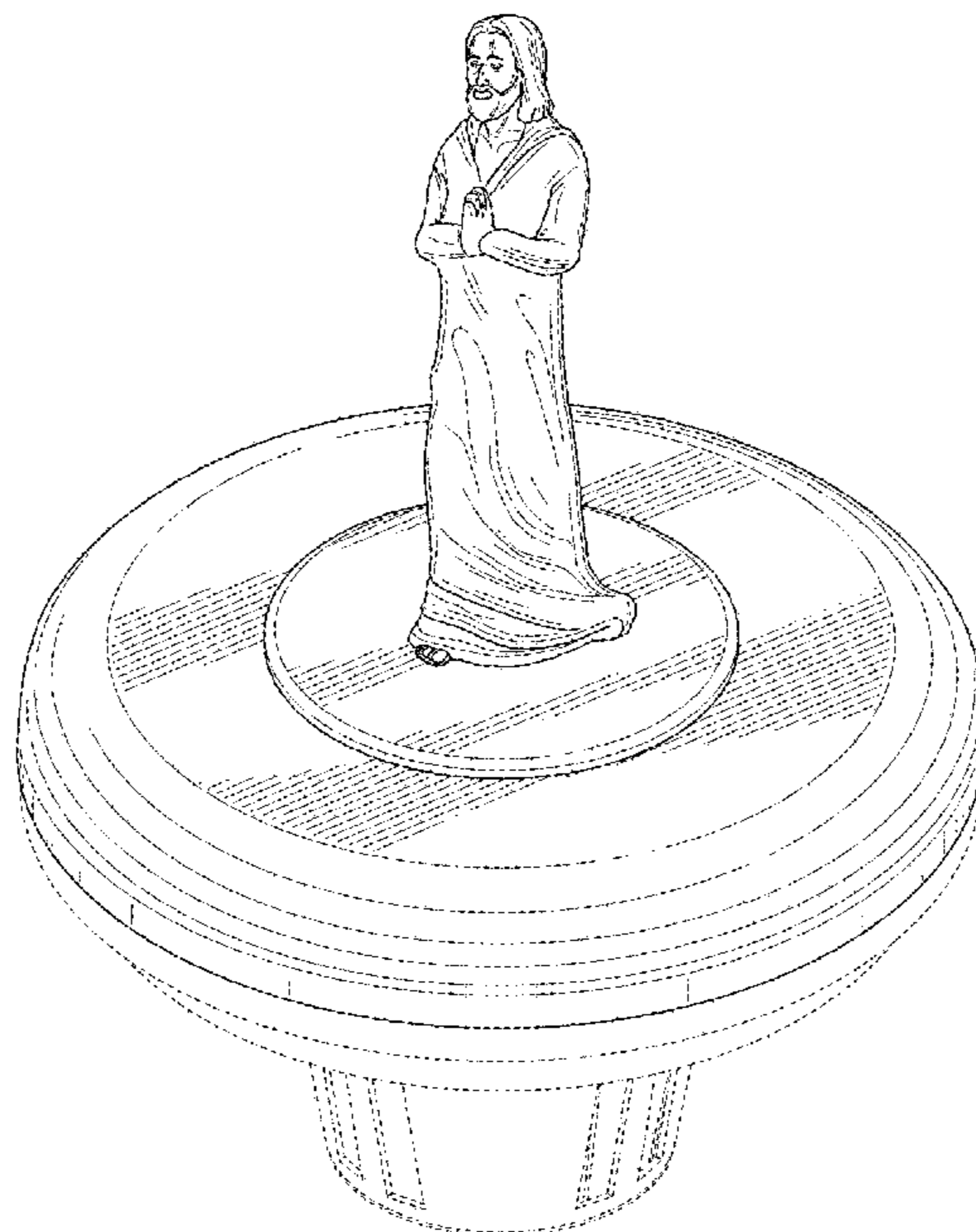
The features shown in broken lines are for the purposes of showing environmental structure and form no part of the claimed design.

(56) **References Cited**

U.S. PATENT DOCUMENTS

D439,543 S * 3/2001 Branaman D11/124
D462,292 S * 9/2002 Hanlon D11/124
D492,615 S * 7/2004 Sonntag D11/124
D559,943 S * 1/2008 Mercer D23/207
7,370,394 B1 * 5/2008 Juneau A01N 1/00
27/1
D657,438 S * 4/2012 Sparks D23/215
8,151,420 B2 * 4/2012 Randall E04H 13/001
27/1
D714,014 S * 9/2014 Miles, Sr. D99/5
D745,947 S * 12/2015 Finley D23/208

1 Claim, 8 Drawing Sheets



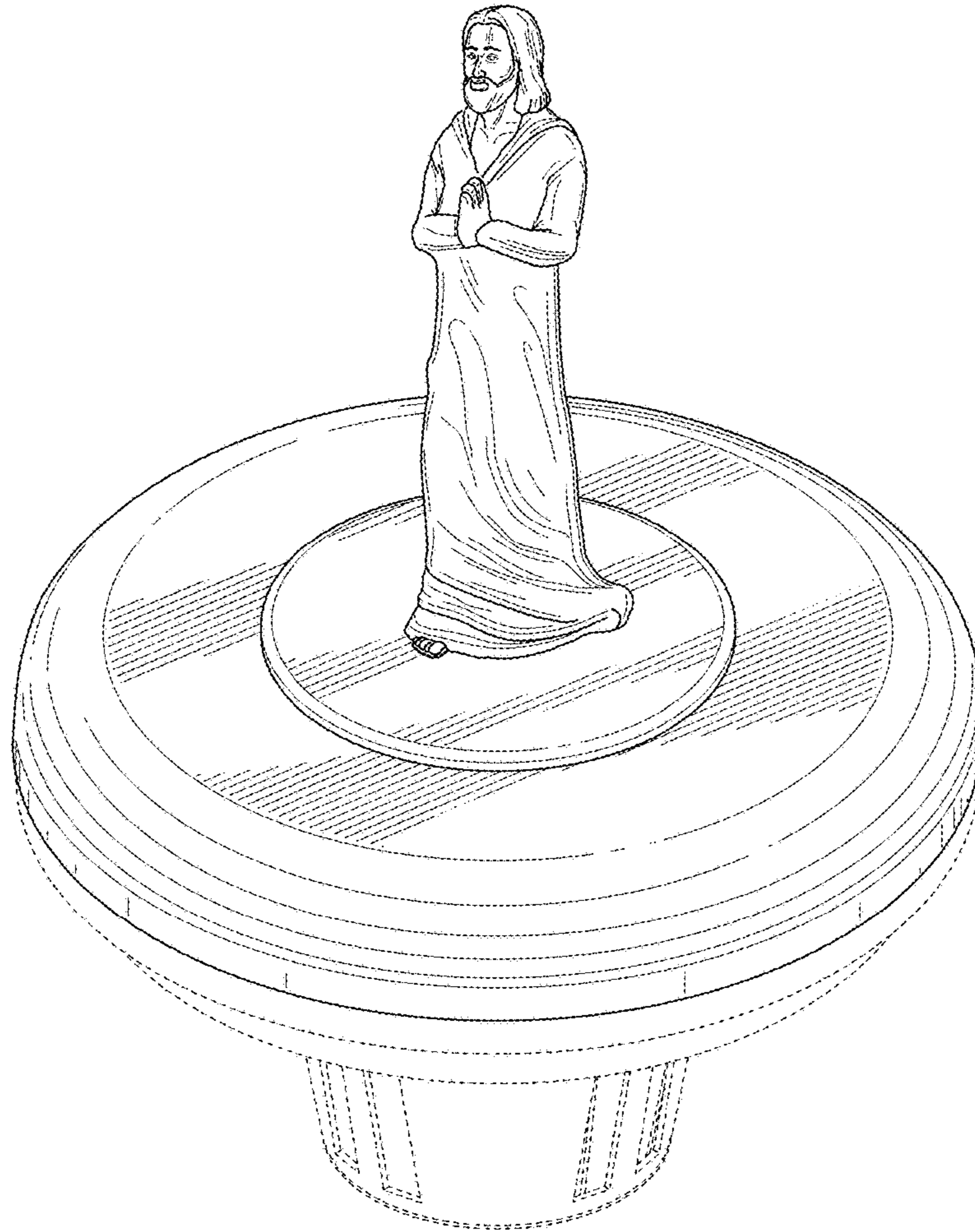


FIG. 1

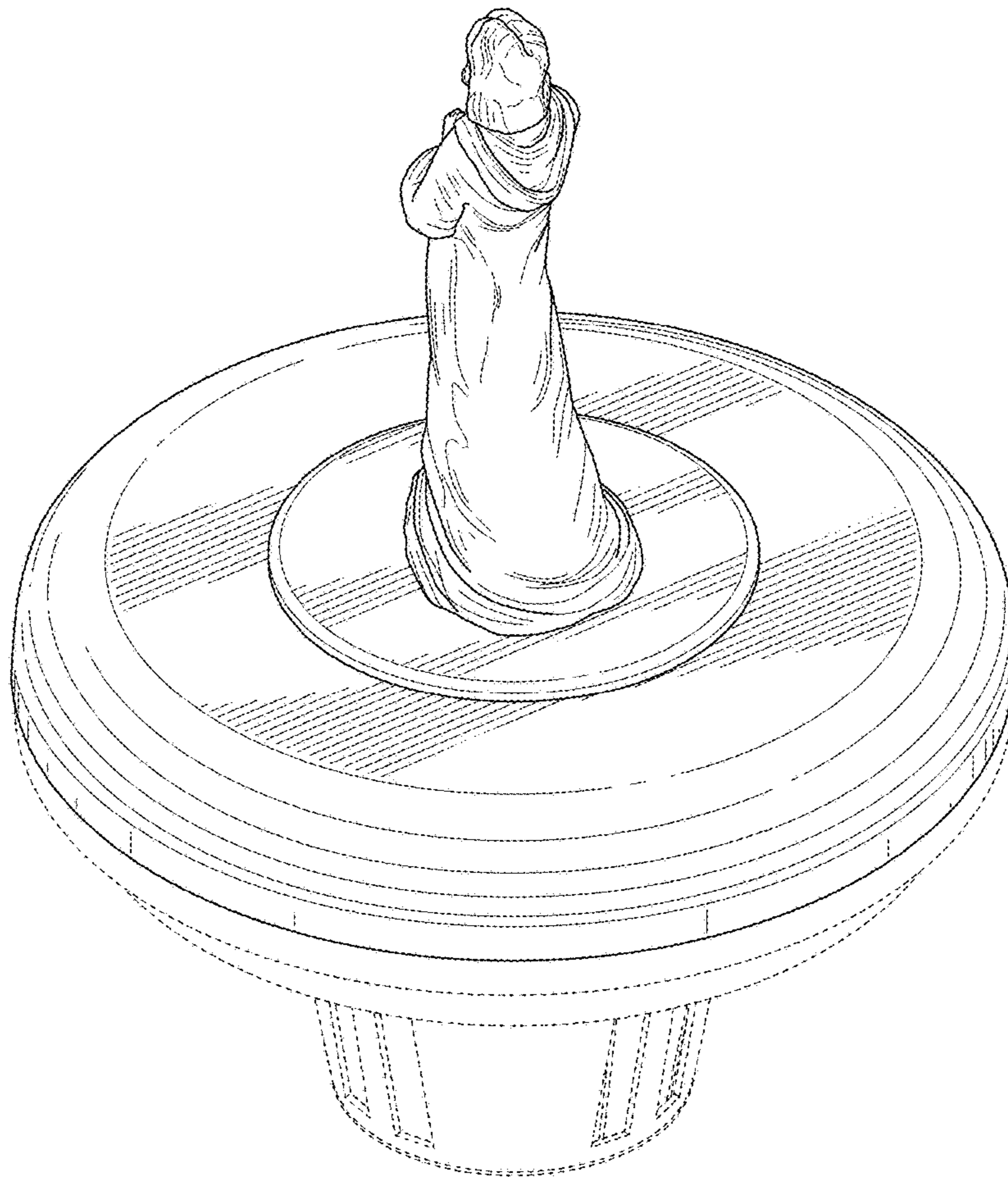


FIG. 2

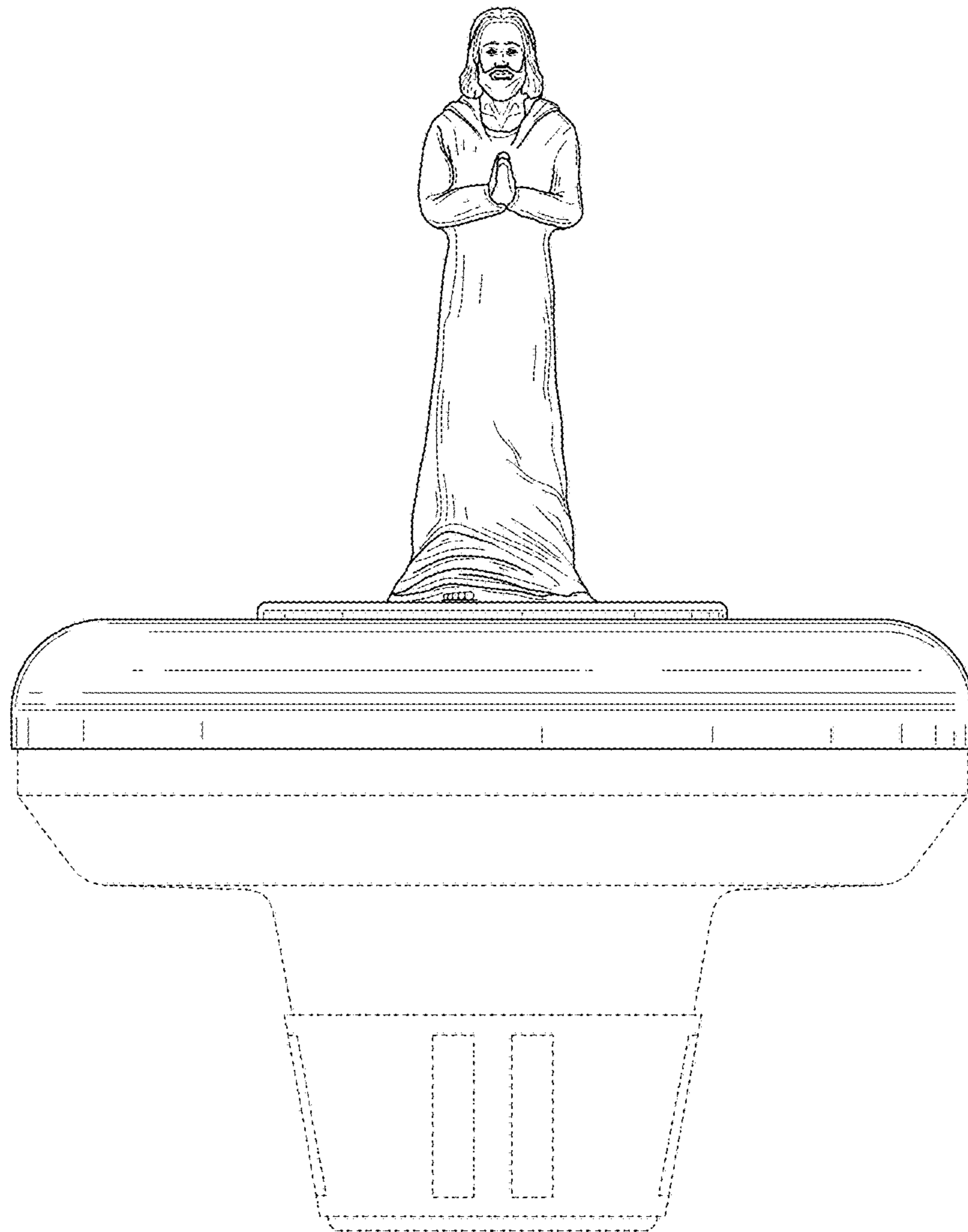


FIG. 3

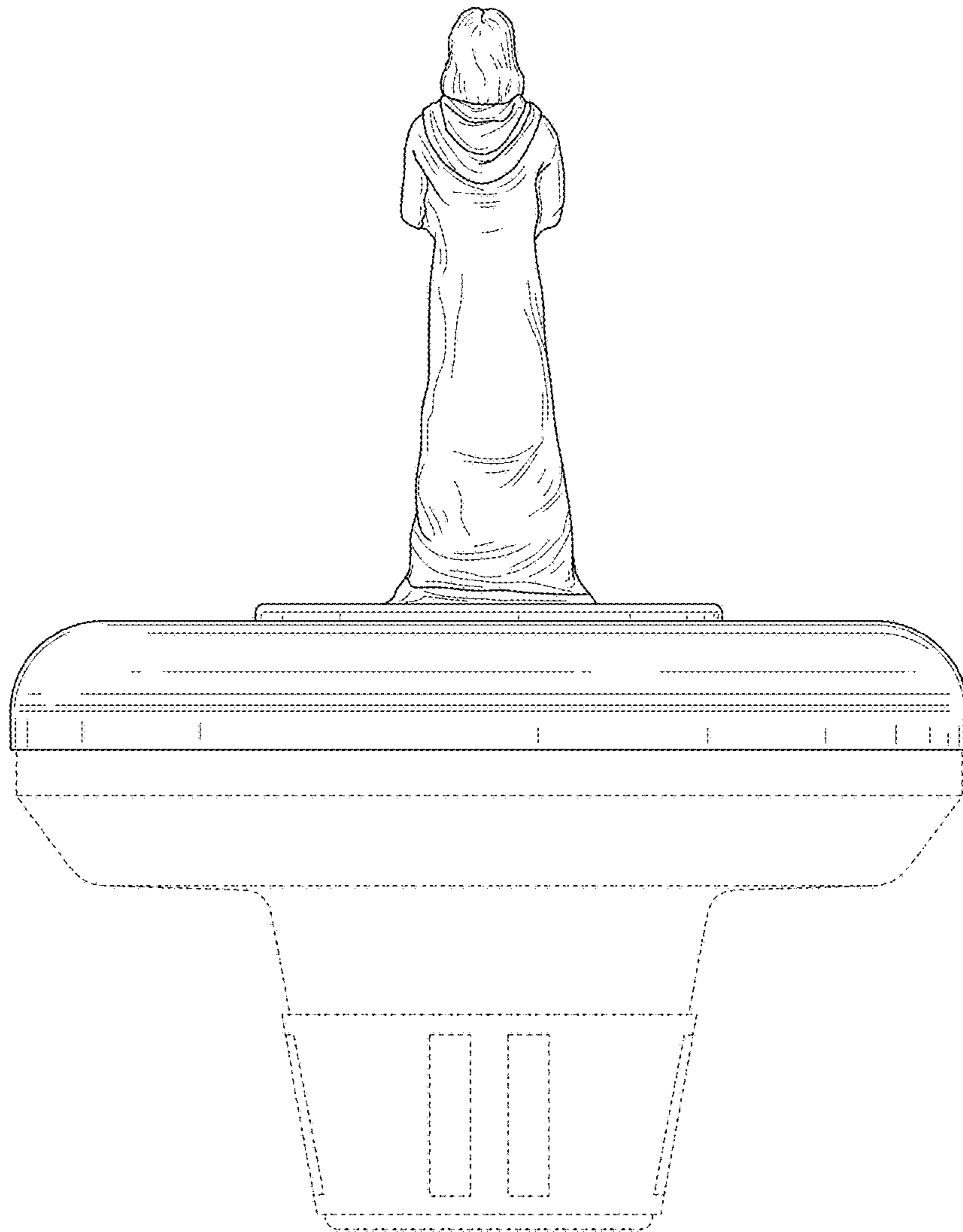


FIG. 4

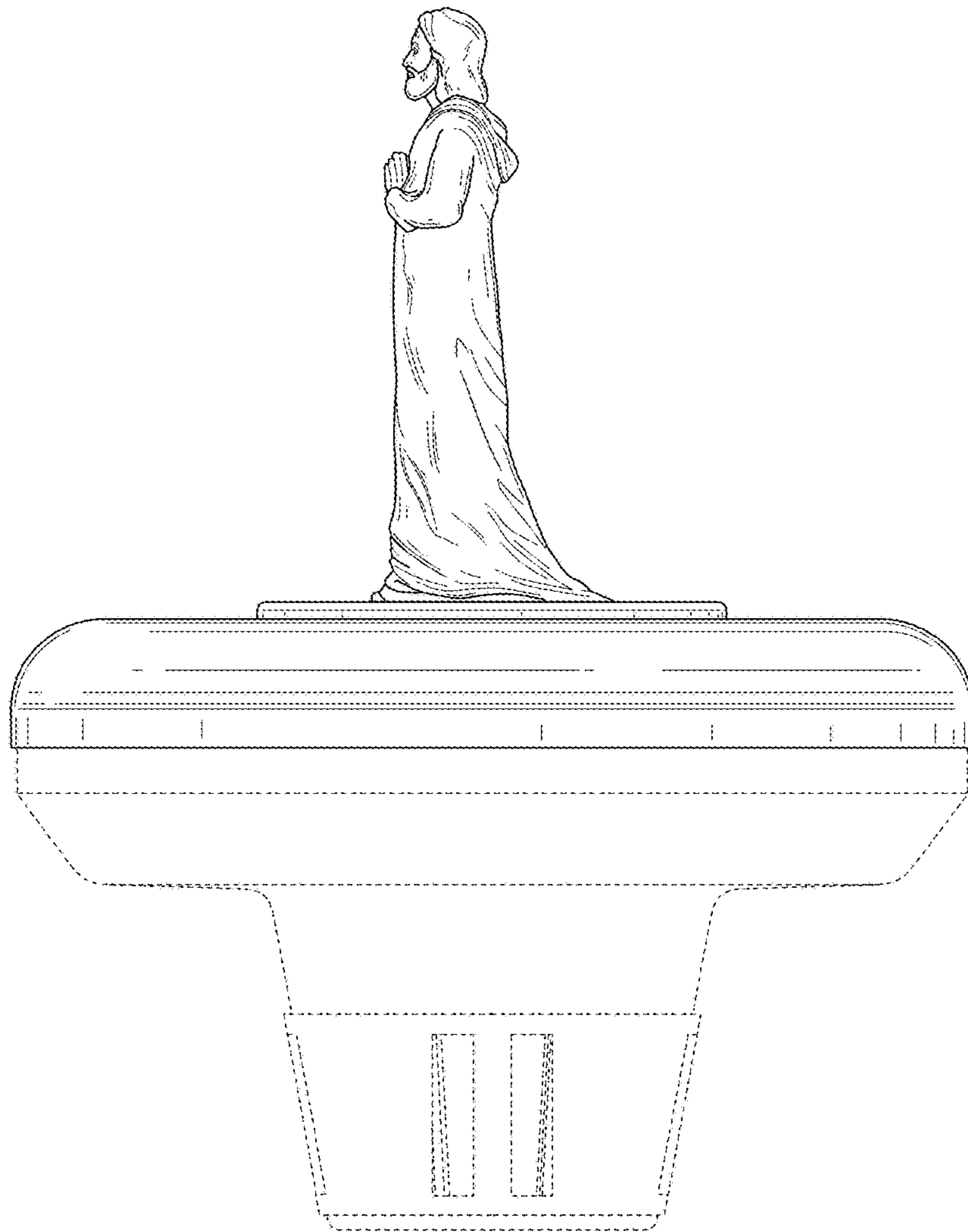


FIG. 5

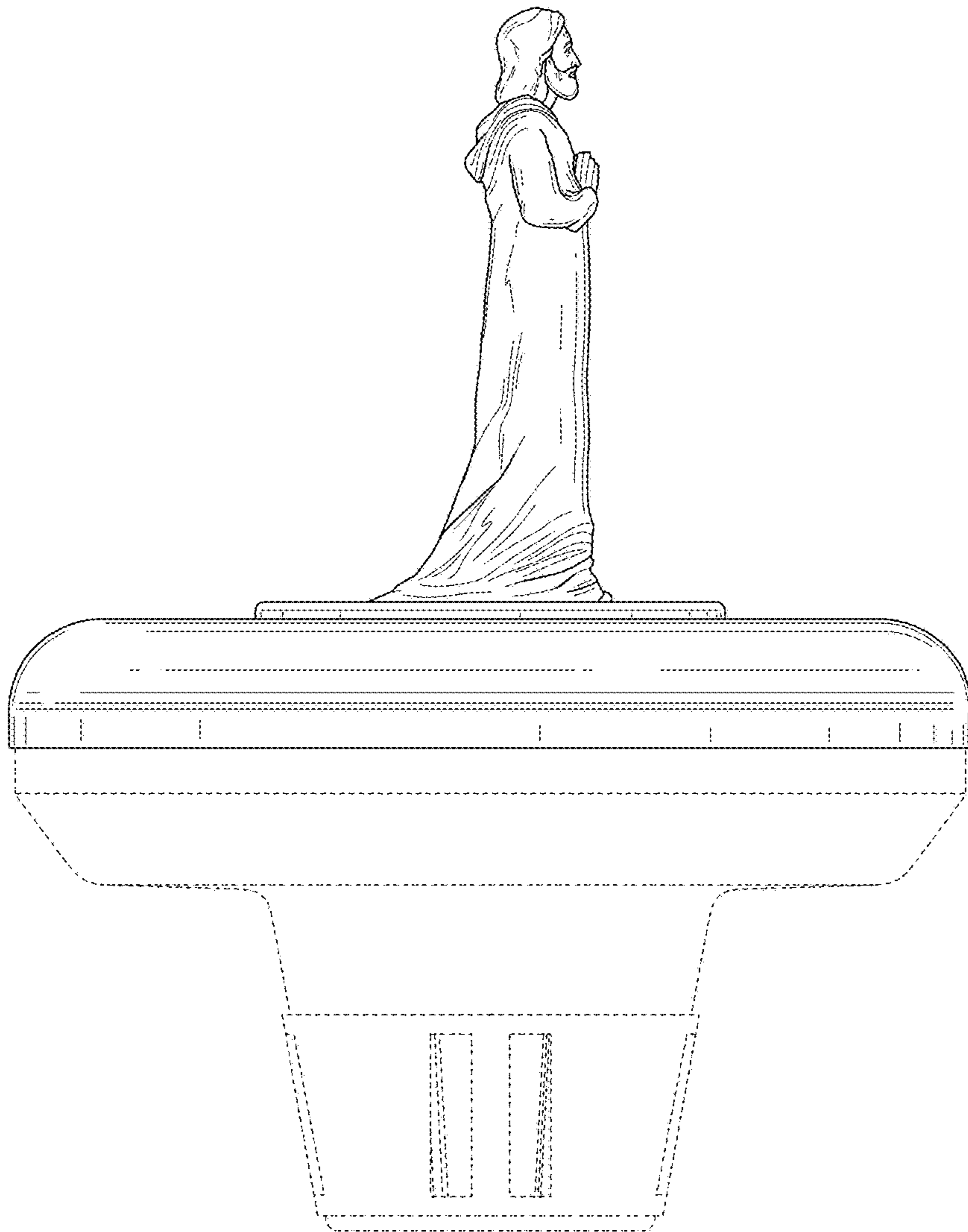


FIG. 6

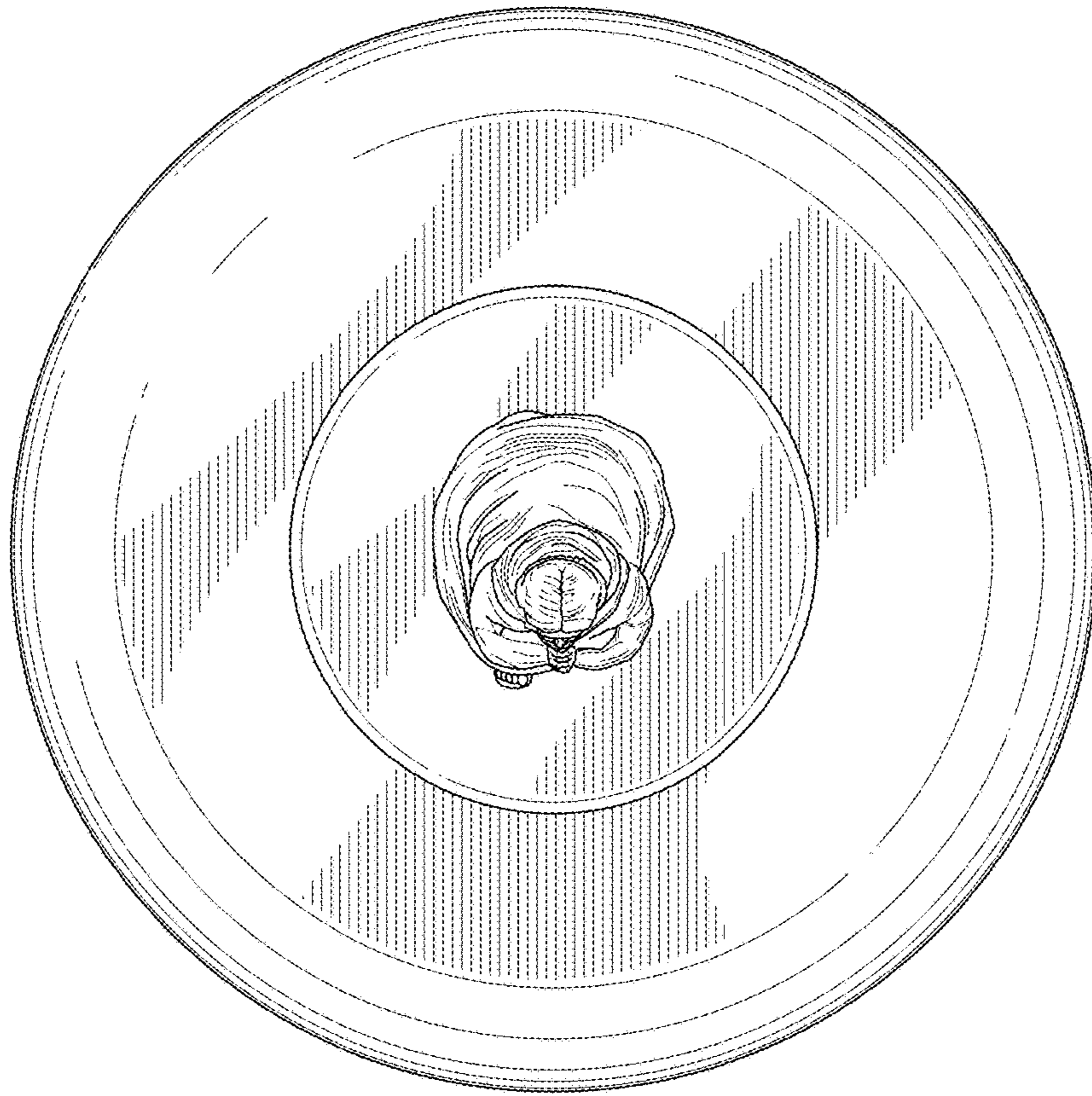


FIG. 7

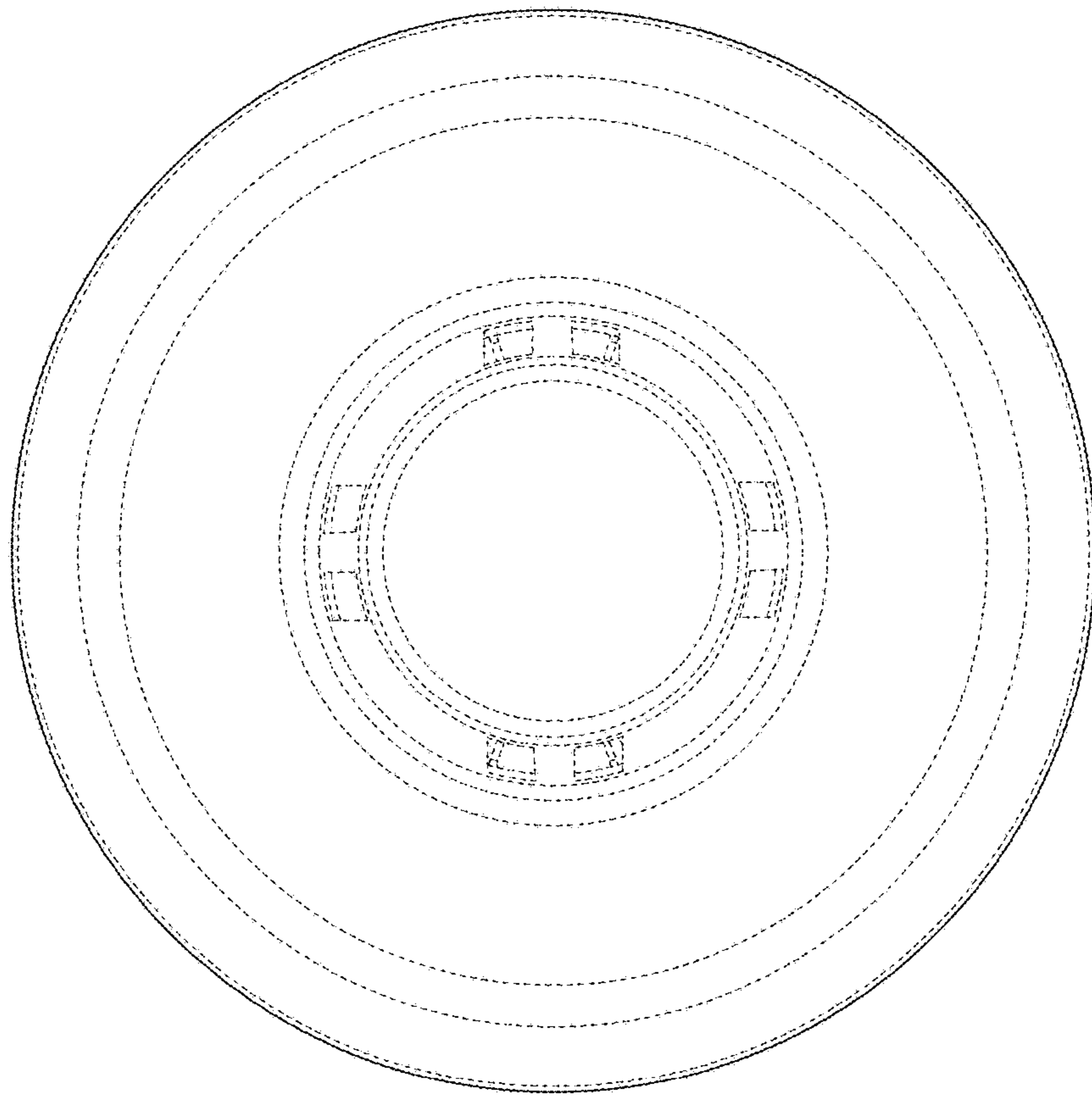


FIG. 8