



US00D860386S

(12) **United States Design Patent**  
**Babaie**

(10) **Patent No.:** **US D860,386 S**

(45) **Date of Patent:** **\*\* Sep. 17, 2019**

(54) **WATER DISINFECTION UNIT**

(71) Applicant: **ACUVA TECHNOLOGIES INC.,**  
Vancouver (CA)

(72) Inventor: **Ashkan Babaie**, Vancouver (IR)

(73) Assignee: **ACUVA TECHNOLOGIES INC.,**  
Vancouver, BC (CA)

(\*\*) Term: **15 Years**

(21) Appl. No.: **29/642,792**

(22) Filed: **Apr. 2, 2018**

(30) **Foreign Application Priority Data**

Oct. 3, 2017 (CA) ..... 177518

(51) **LOC (12) Cl.** ..... **23-01**

(52) **U.S. Cl.**  
USPC ..... **D23/207**

(58) **Field of Classification Search**  
USPC ..... D23/205, 207, 209, 233, 247, 260  
CPC ..... B01D 35/30; B01D 19/0031; C02F 1/003;  
C02F 1/283; A61L 2/10  
See application file for complete search history.

(56) **References Cited**

**U.S. PATENT DOCUMENTS**

D265,227 S *	6/1982	Jolley .....	D23/207
D309,492 S *	7/1990	Boehnke .....	D23/209
D311,947 S *	11/1990	Kopp .....	D23/209
6,105,787 A *	8/2000	Malkin .....	B01D 29/15 210/457
D546,920 S *	7/2007	Fulkerson .....	D23/233

D617,421 S *	6/2010	Fulkerson .....	D23/233
D651,773 S *	1/2012	Antal .....	D32/14
D675,705 S *	2/2013	Mallol .....	D23/207
D705,391 S *	5/2014	Okazaki .....	D23/207
D726,873 S *	4/2015	Fulkerson .....	D23/233
D755,345 S *	5/2016	Luthi .....	D23/209
D759,213 S *	6/2016	Hofer .....	D23/260
D767,712 S *	9/2016	Huda .....	D23/207
D800,247 S *	10/2017	Barrett .....	D23/207
D820,383 S *	6/2018	Okazaki .....	D23/207
D822,793 S *	7/2018	Torii .....	D23/207
D830,500 S *	10/2018	Yoon .....	D23/207
D840,502 S *	2/2019	MacDonald .....	D23/209

\* cited by examiner

*Primary Examiner* — Robin V Webster

*Assistant Examiner* — Keith J Wilson

(74) *Attorney, Agent, or Firm* — Kilpatrick Townsend & Stockton LLP

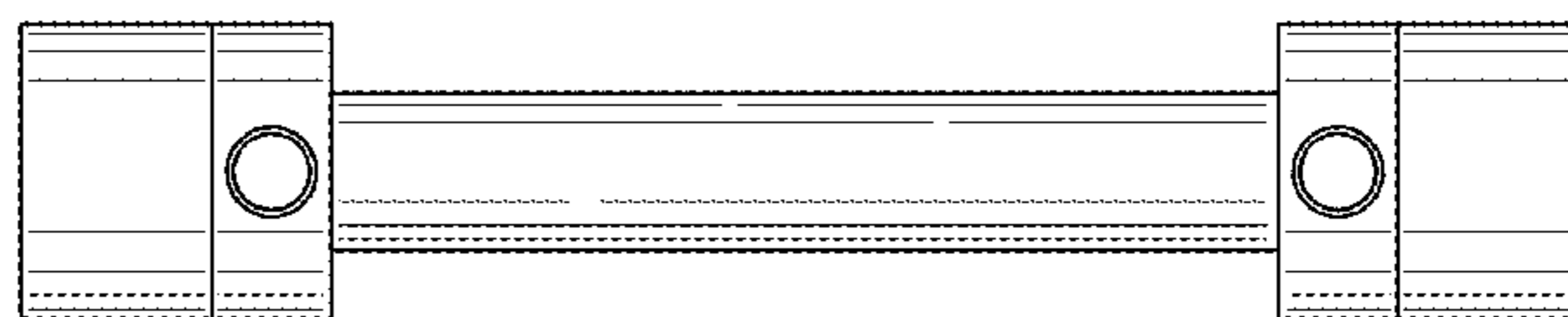
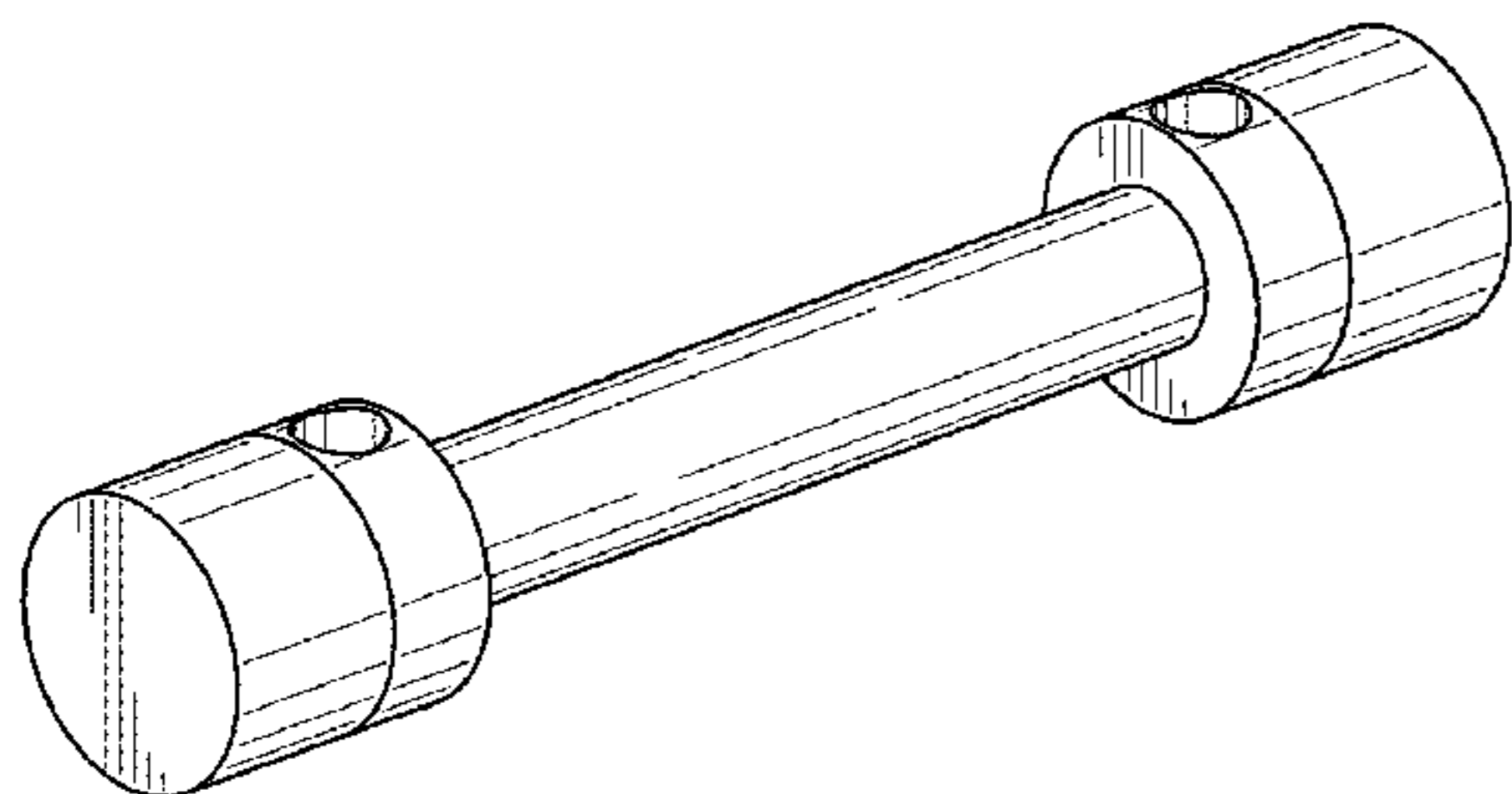
(57) **CLAIM**

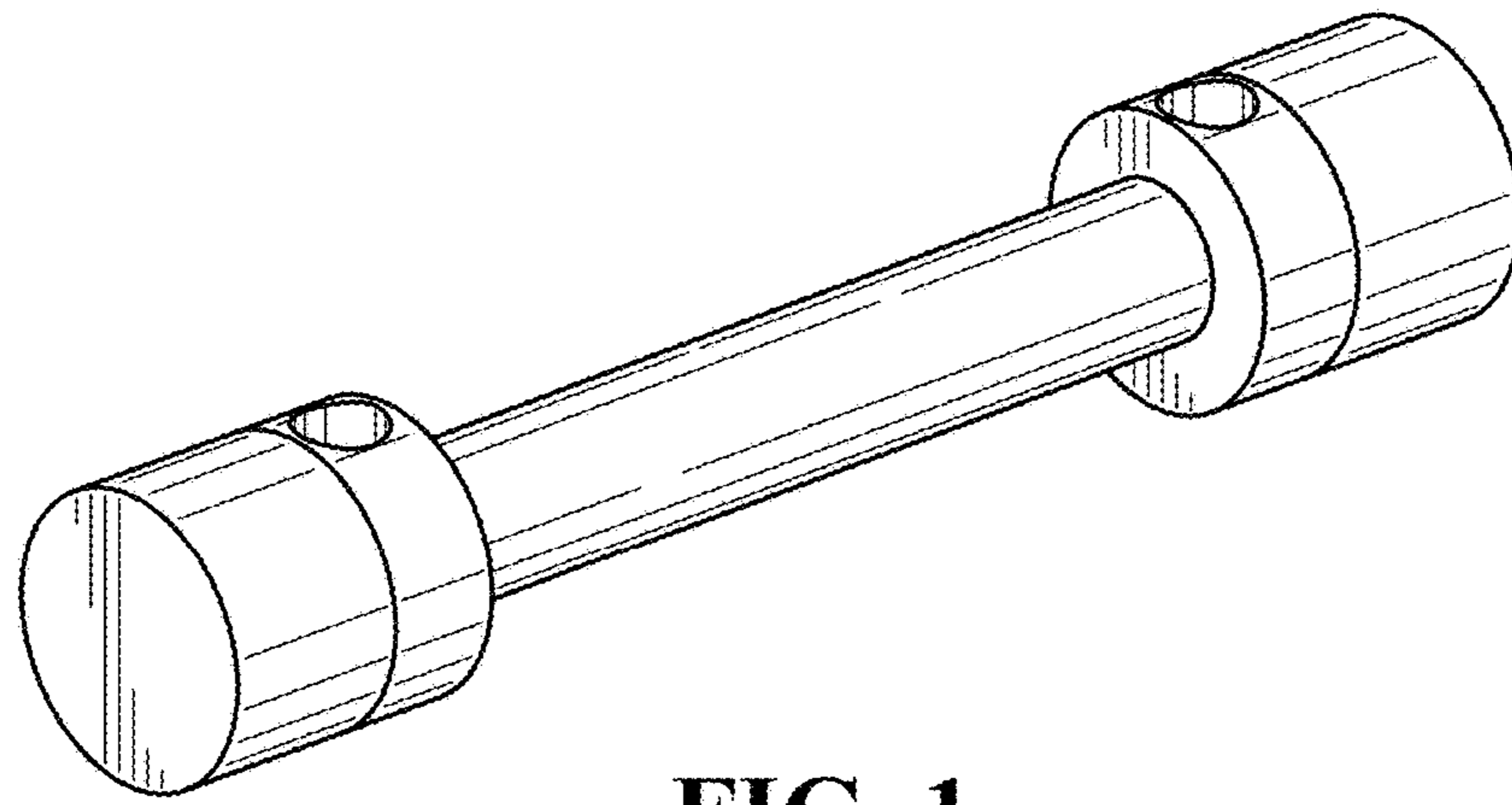
The ornamental design for a water disinfection unit, as shown and described.

**DESCRIPTION**

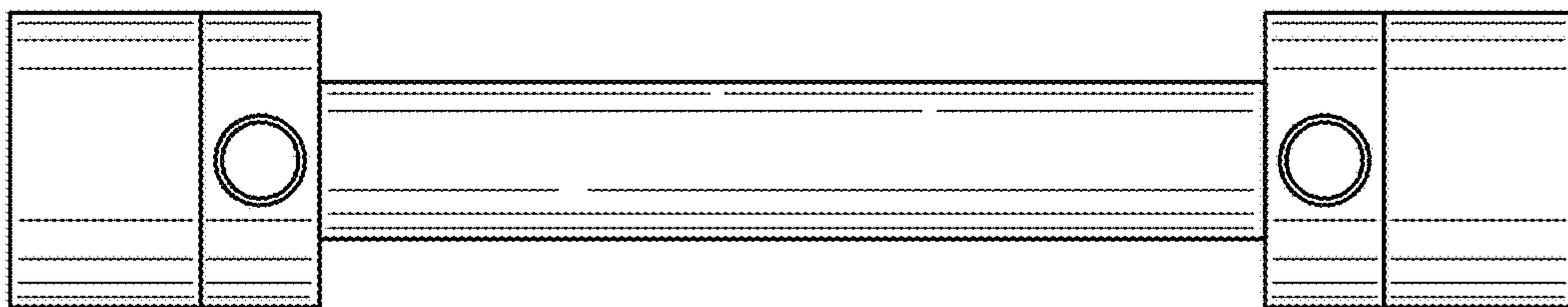
FIG. 1 is a perspective view of a water disinfection unit showing the new design;  
FIG. 2 is a top view thereof;  
FIG. 3 is a bottom view thereof;  
FIG. 4 is a left-side view thereof;  
FIG. 5 is a right-side view thereof;  
FIG. 6 is a front view thereof; and,  
FIG. 7 is a back view thereof.

**1 Claim, 2 Drawing Sheets**

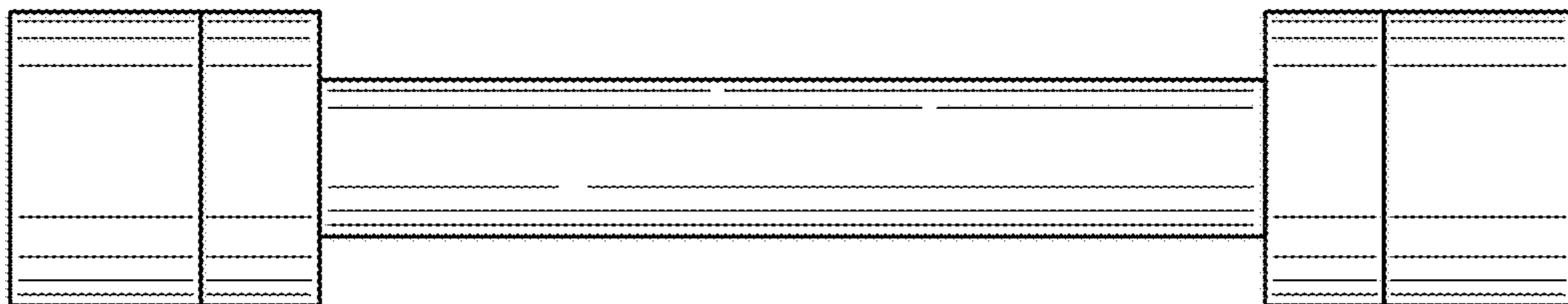




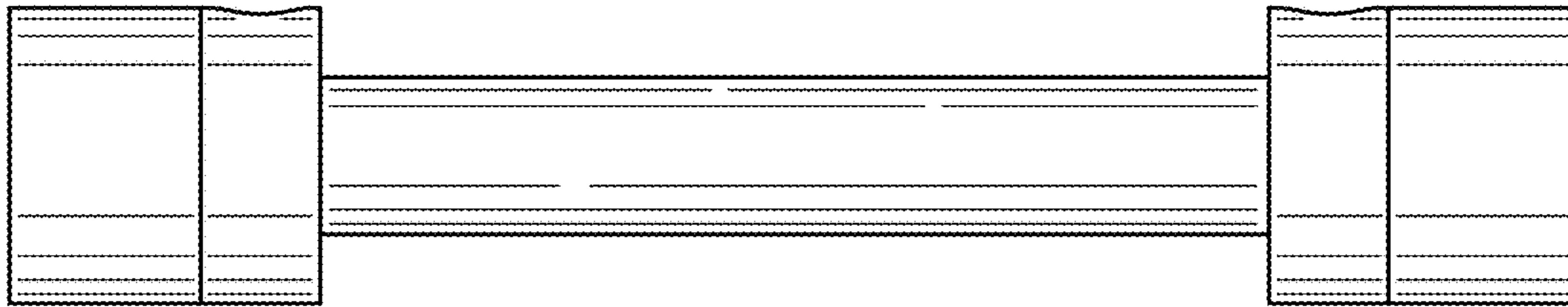
**FIG. 1**



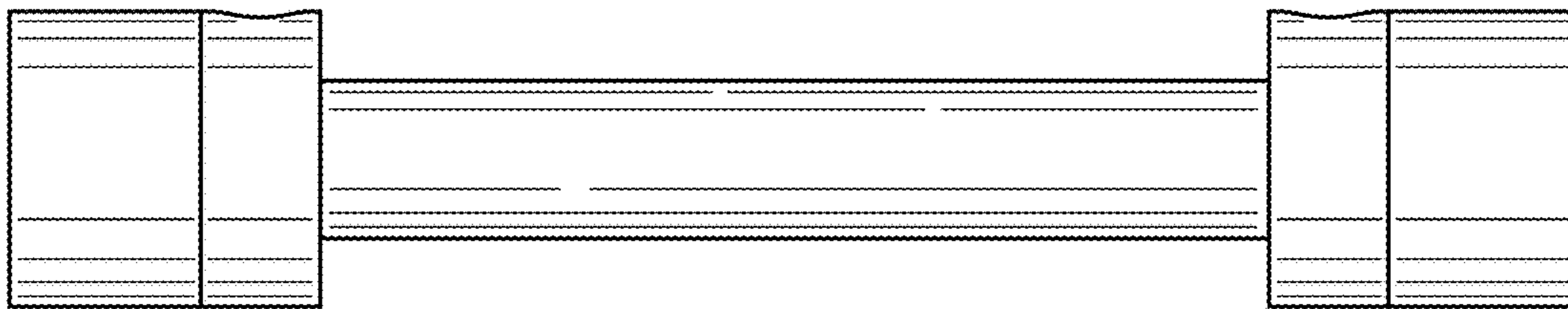
**FIG. 2**



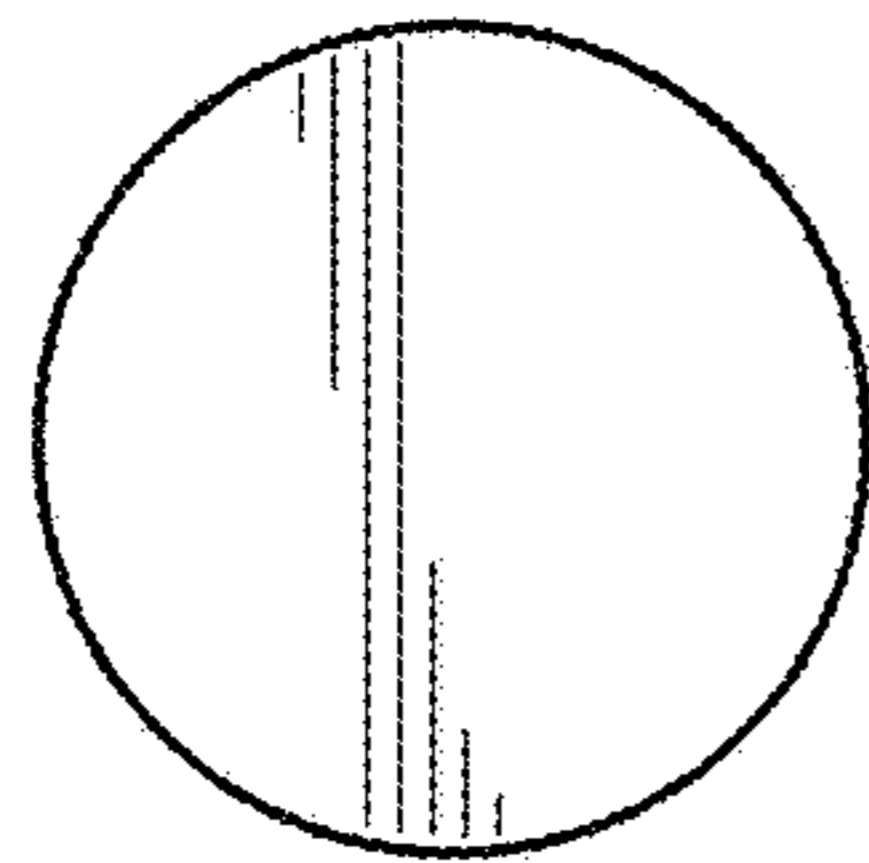
**FIG. 3**



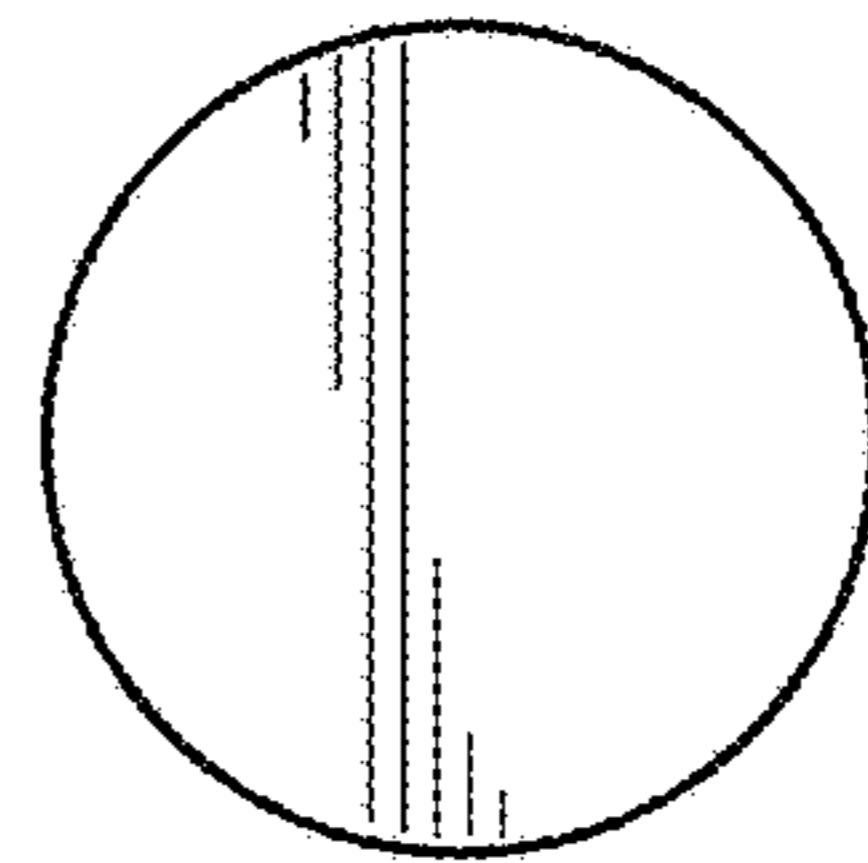
**FIG. 4**



**FIG. 5**



**FIG. 6**



**FIG. 7**