

US00D860385S

(12) **United States Design Patent**
Beltrán Carrasco et al.

(10) **Patent No.:** **US D860,385 S**

(45) **Date of Patent:** **** Sep. 17, 2019**

(54) **TANK**

(71) Applicant: **GRUPO ROTOPLAS, S.A.B. DE C.V.**, Mexico City (MX)

(72) Inventors: **Claudio Beltrán Carrasco**, Mexico City (MX); **Francisco Javier Guadarrama Sánchez**, Estado de Mexico (MX); **Fernando Alberto Valdés Ambía**, Mexico City (MX)

(73) Assignee: **GRUPO ROTOPLAS, S.A.B. DE C.V.**, Mexico City (MX)

(**) Term: **15 Years**

(21) Appl. No.: **29/628,506**

(22) Filed: **Dec. 5, 2017**

(30) **Foreign Application Priority Data**

Jun. 5, 2017 (MX) MX/f/2017/001575

(51) **LOC (12) Cl.** **23-01**

(52) **U.S. Cl.**
USPC **D23/202**

(58) **Field of Classification Search**
USPC D23/202-5
CPC .. B65D 90/02; F17C 2203/0619; F17C 1/005;
F17C 2201/0147; F16J 12/00; E04H 7/02
See application file for complete search history.

(56) **References Cited**

U.S. PATENT DOCUMENTS

D226,902 S	*	5/1973	Evander	D23/202
D603,932 S	*	11/2009	Natrass	D23/202
D627,428 S	*	11/2010	Hamilton	D23/202
D647,168 S	*	10/2011	Lerner	D23/202
D699,813 S	*	2/2014	Vogt	D23/202
D744,609 S	*	12/2015	Hermann	D23/202

D768,261 S * 10/2016 Martin D23/202

* cited by examiner

Primary Examiner — Robin V Webster

(74) *Attorney, Agent, or Firm* — Saul Ewing Arnstein & Lehr LLP; Deborah Plehn-Dujowich; Brian R. Landry

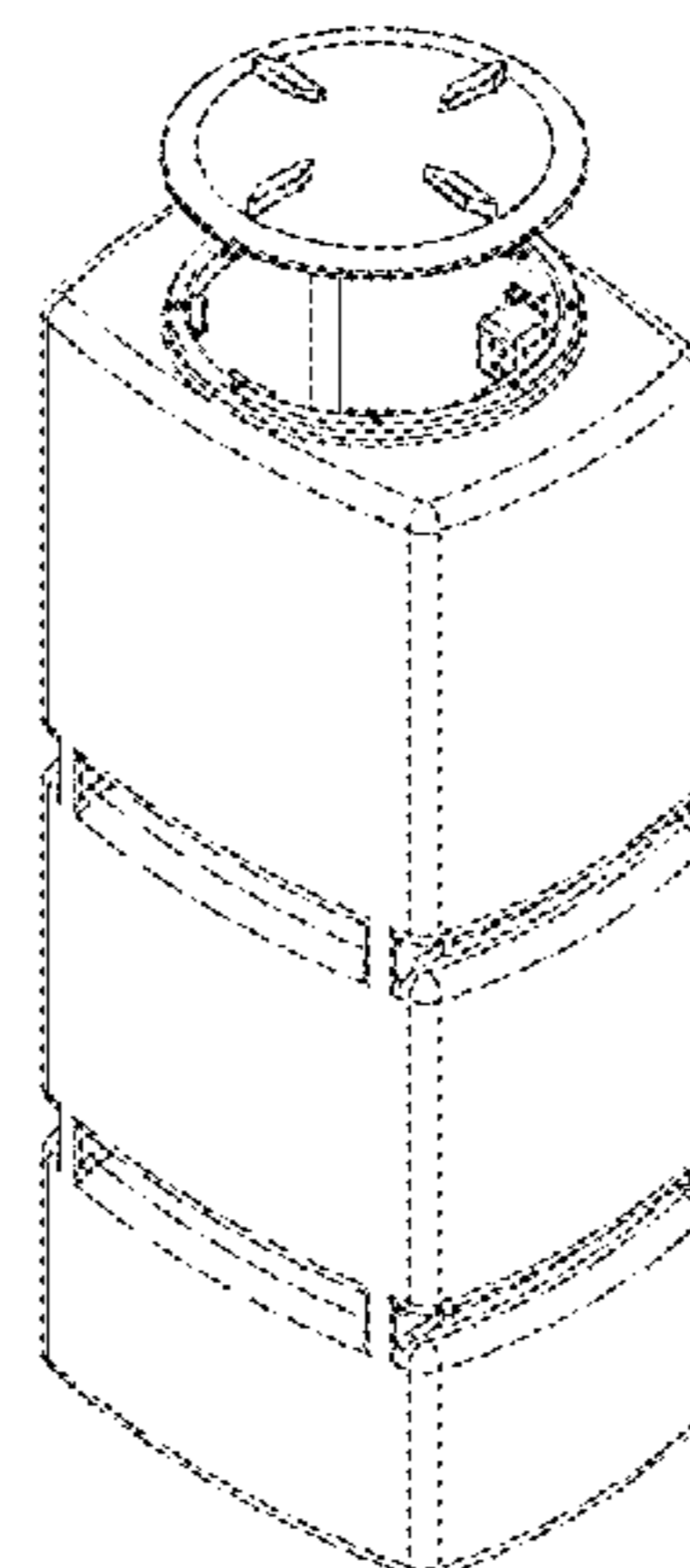
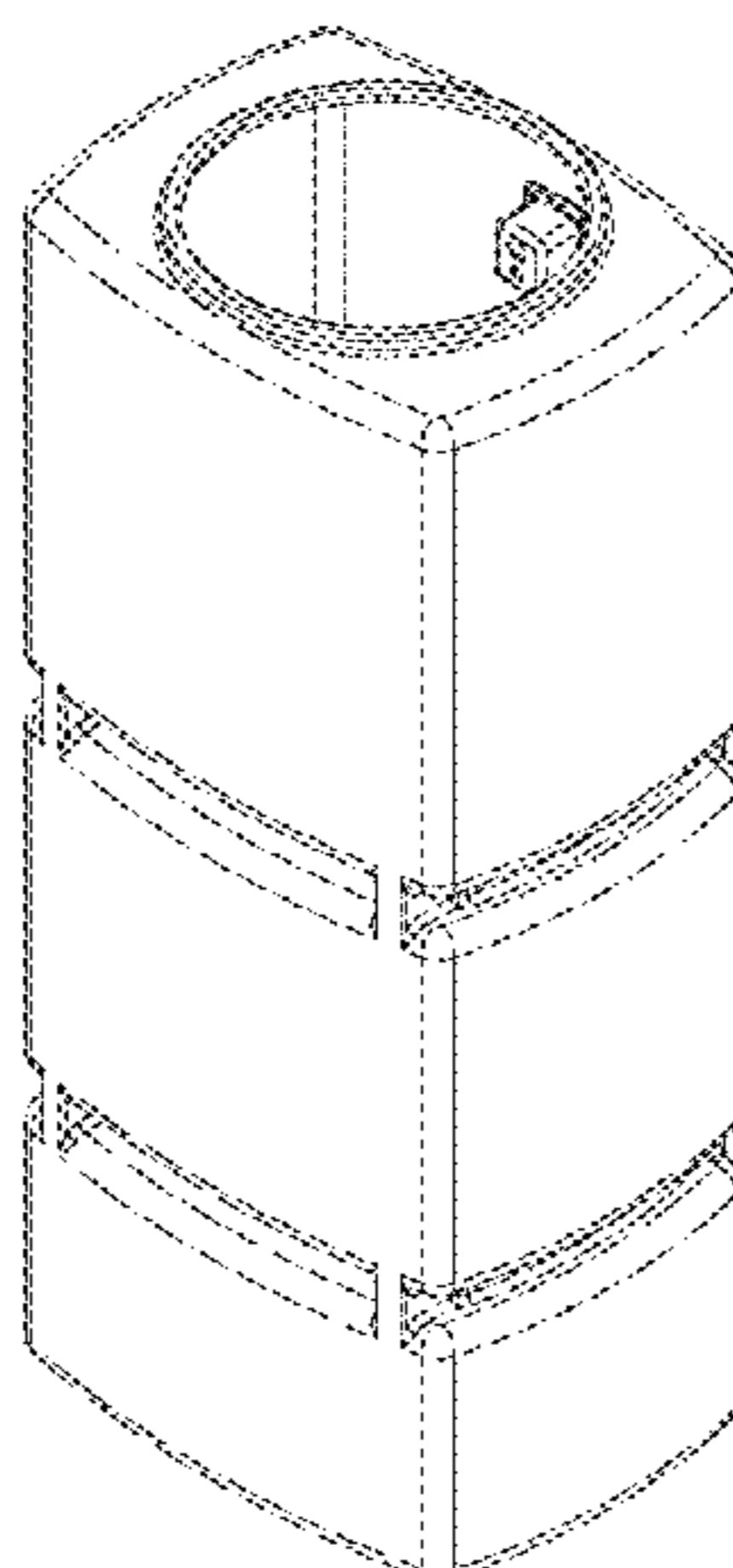
(57) **CLAIM**

The ornamental design of a tank, as shown and described.

DESCRIPTION

FIG. 1 is a right frontal upper perspective view of a tank that shows an embodiment of the new design.
 FIG. 2 is a left frontal upper perspective view of the model represented in FIG. 1.
 FIG. 3 is a right rear upper perspective view of the model represented in FIG. 1.
 FIG. 4 is a left rear upper perspective view of the model represented in FIG. 1.
 FIG. 5 is a right side view of the model represented in FIG. 1.
 FIG. 6 is a left side view of the model represented in FIG. 1.
 FIG. 7 is a frontal view of the model represented in FIG. 1.
 FIG. 8 is a rear view of the model of FIG. 1.
 FIG. 9 is a frontal view in vertical section of the model of FIG. 7.
 FIG. 10 is an upper view of the model of FIG. 1.
 The bottom of the tank can be flat and unornamented.
 FIG. 11 is a right upper frontal perspective view of the model of FIG. 1, showing the optional attachment to a lid.
 FIG. 12 is frontal view of the model of FIG. 1, showing the optional attachment to the lid. The right, left, and rear views of the lid are identical. The bottom of the lid can be flat and unornamented; and,
 FIG. 13 is an upper view of the model of tank shown in FIG. 12.

1 Claim, 13 Drawing Sheets



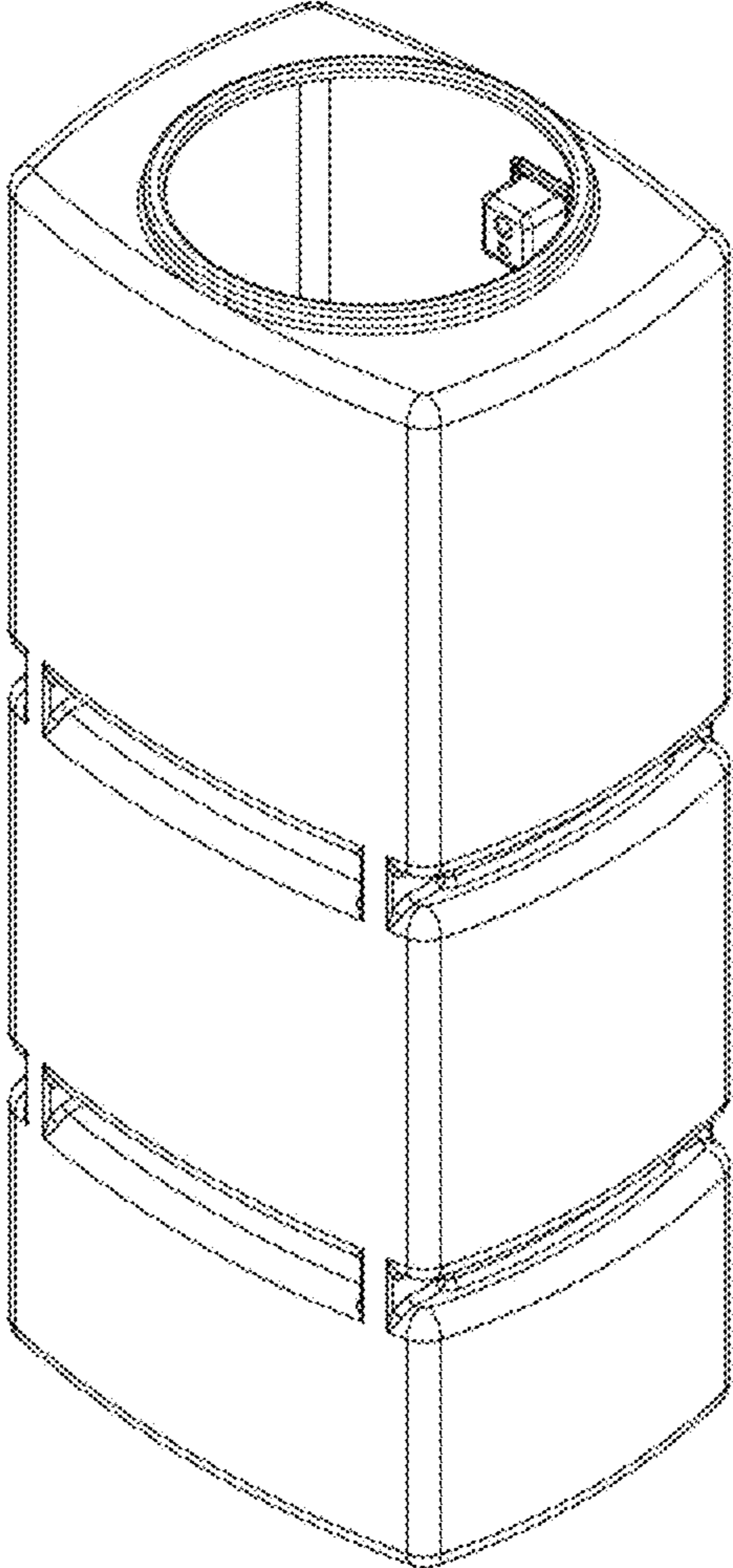


FIG. 1

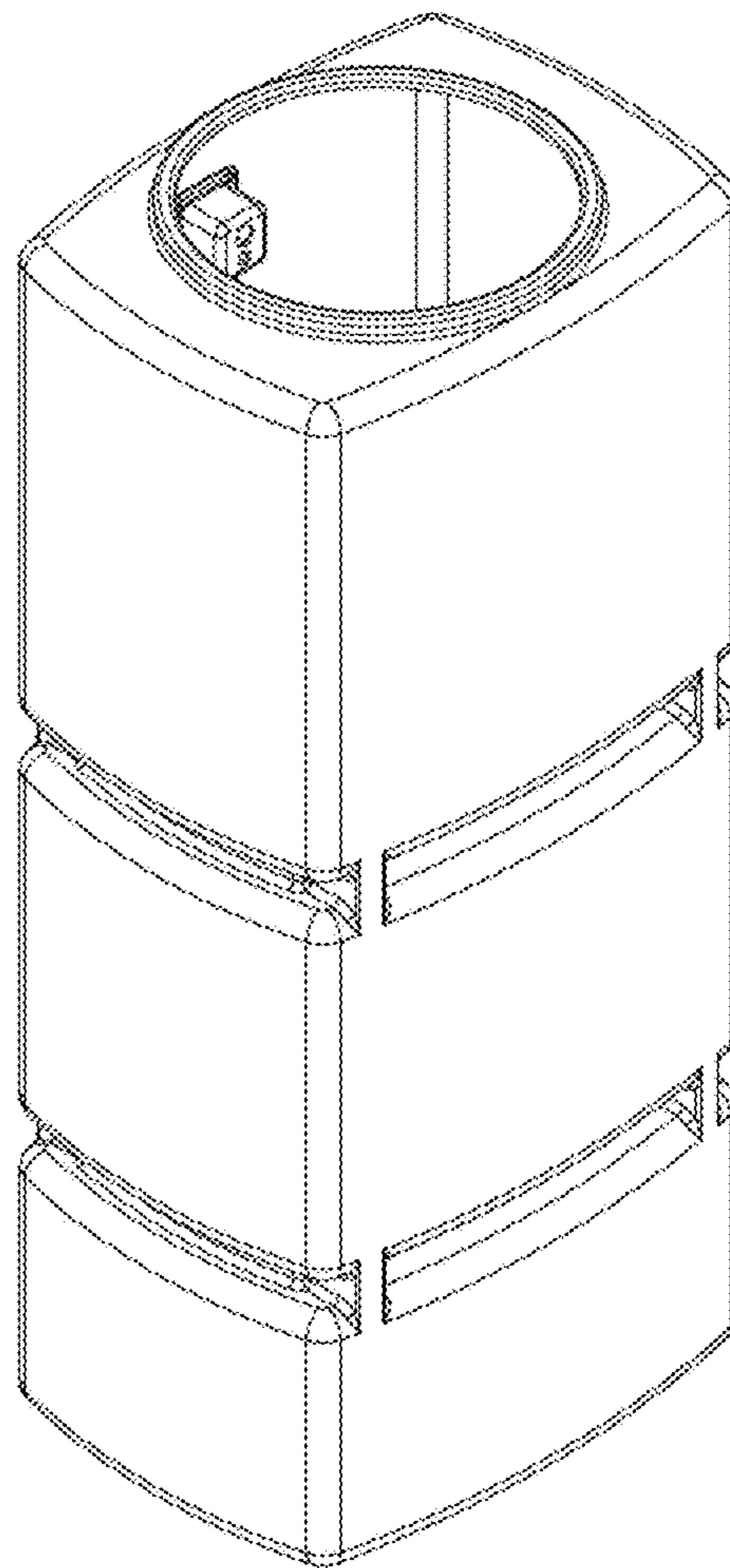


FIG. 2

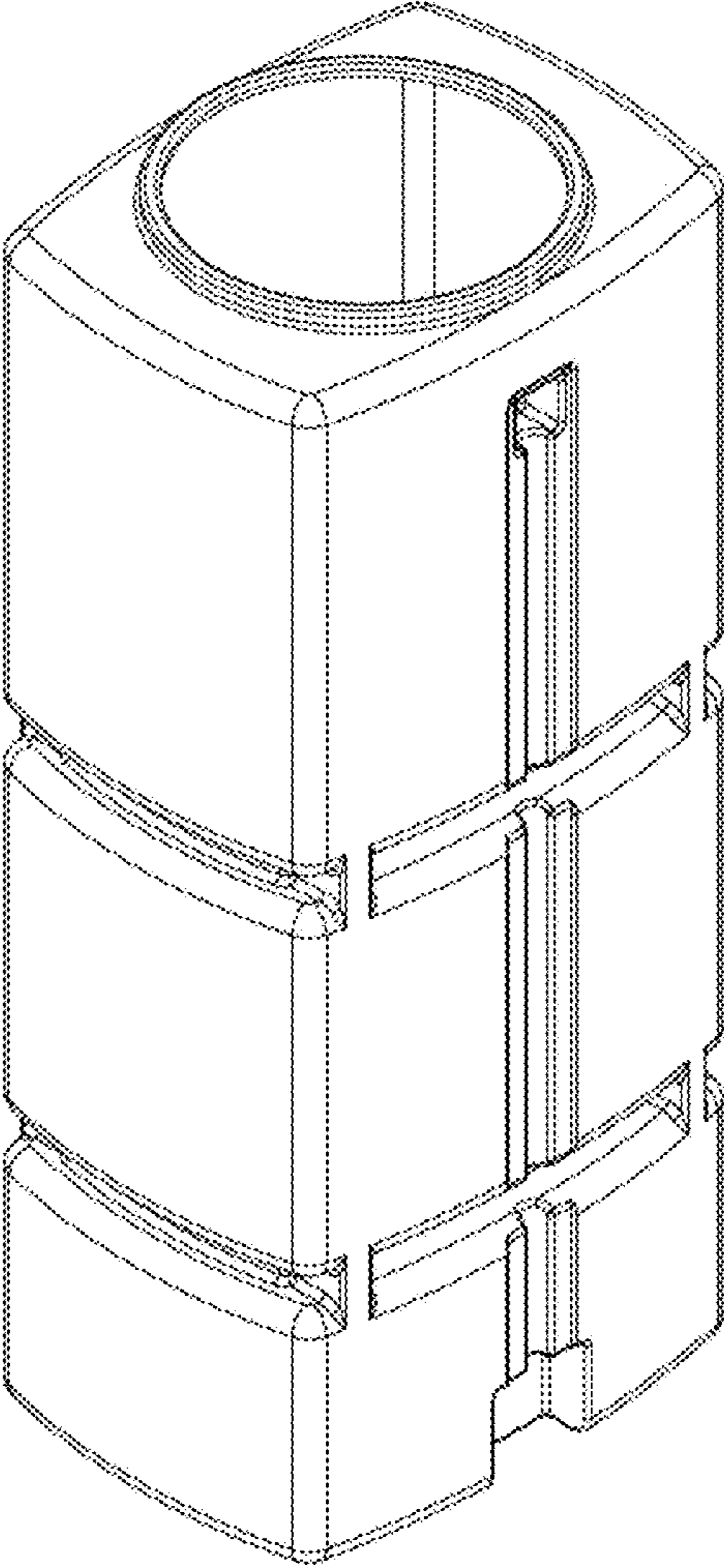


FIG. 3

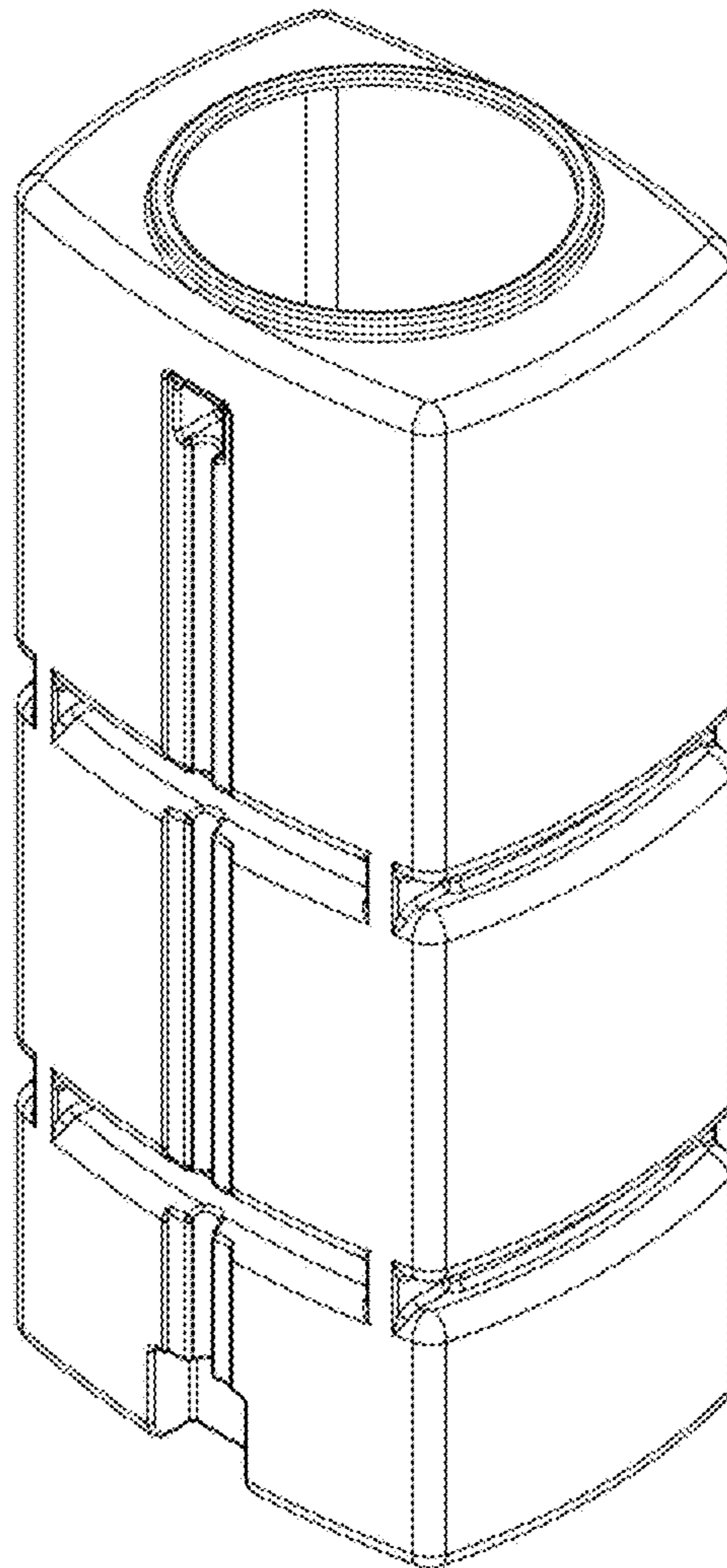


FIG. 4

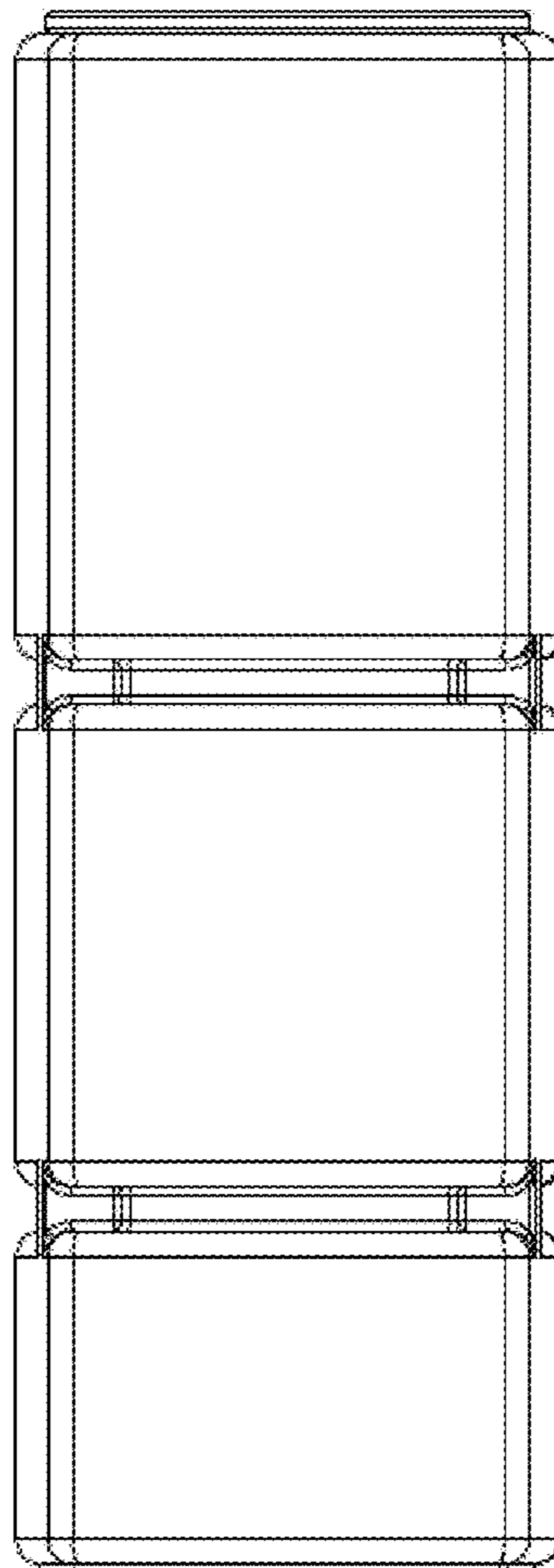


FIG. 5

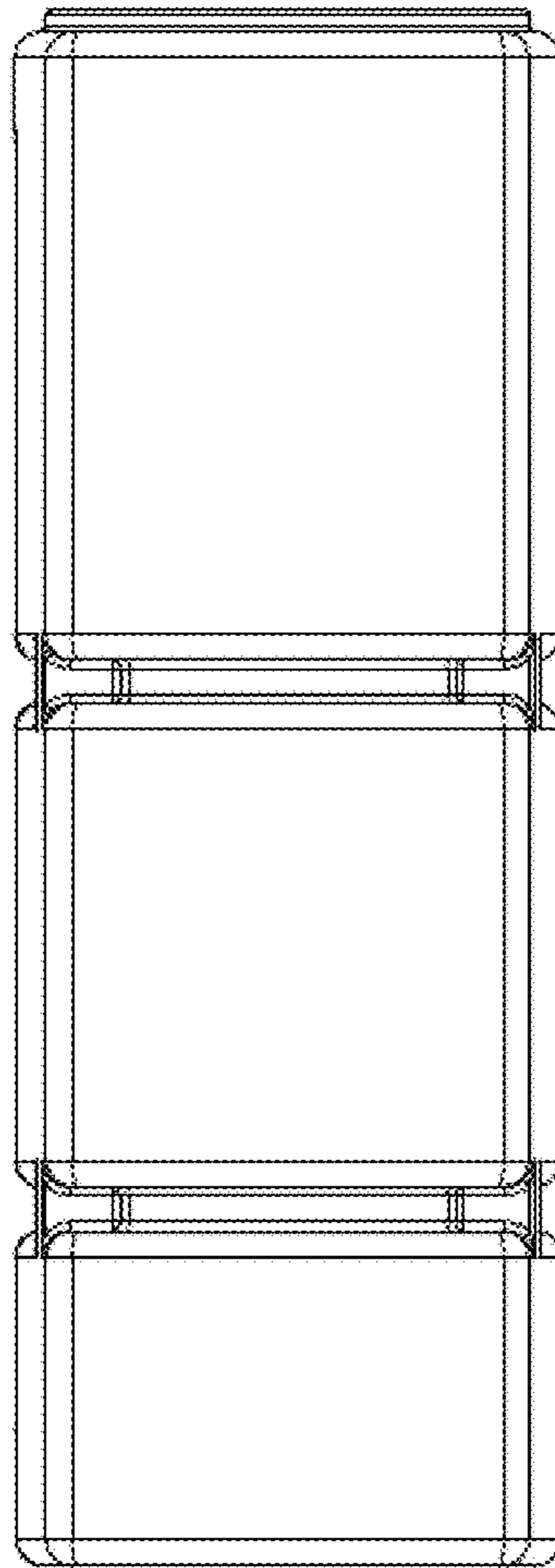


FIG. 6

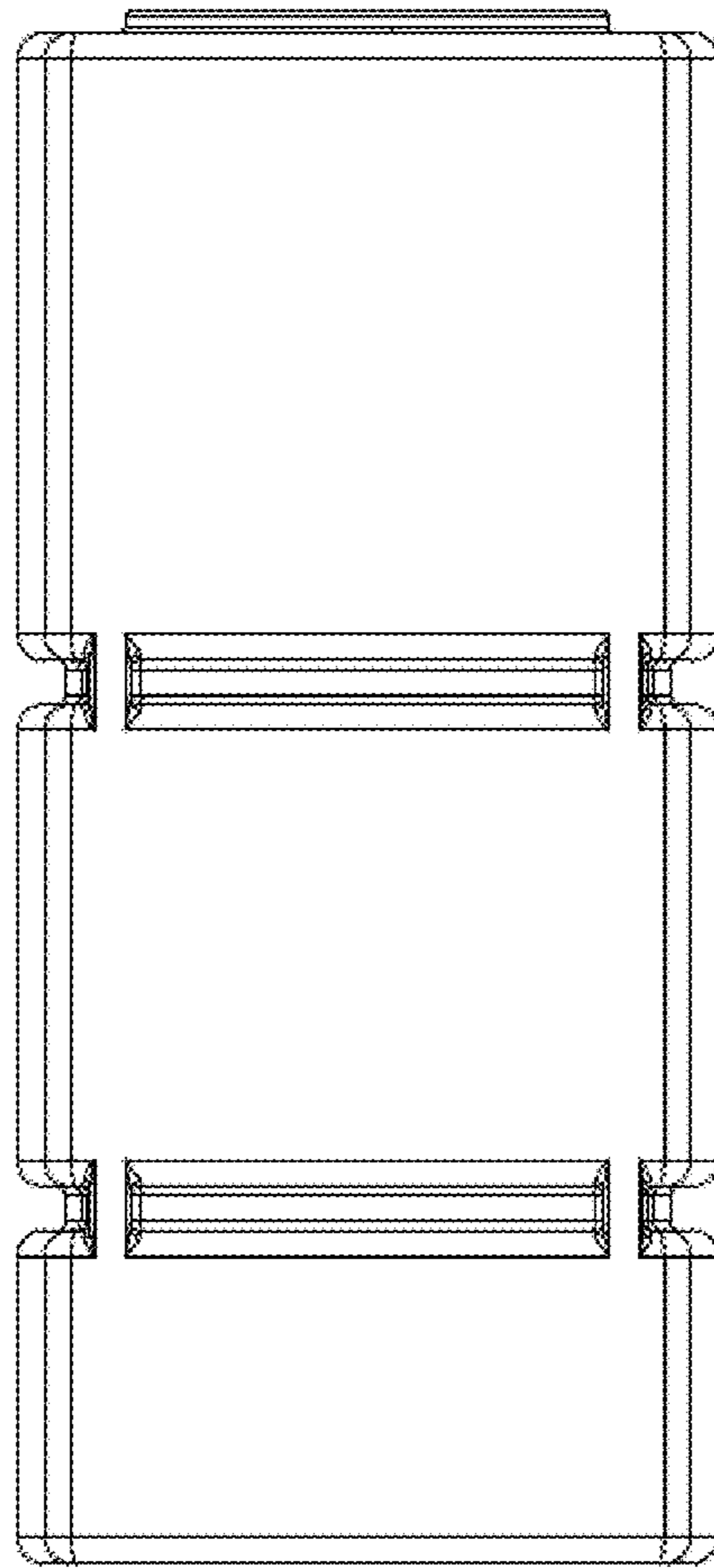


FIG. 7

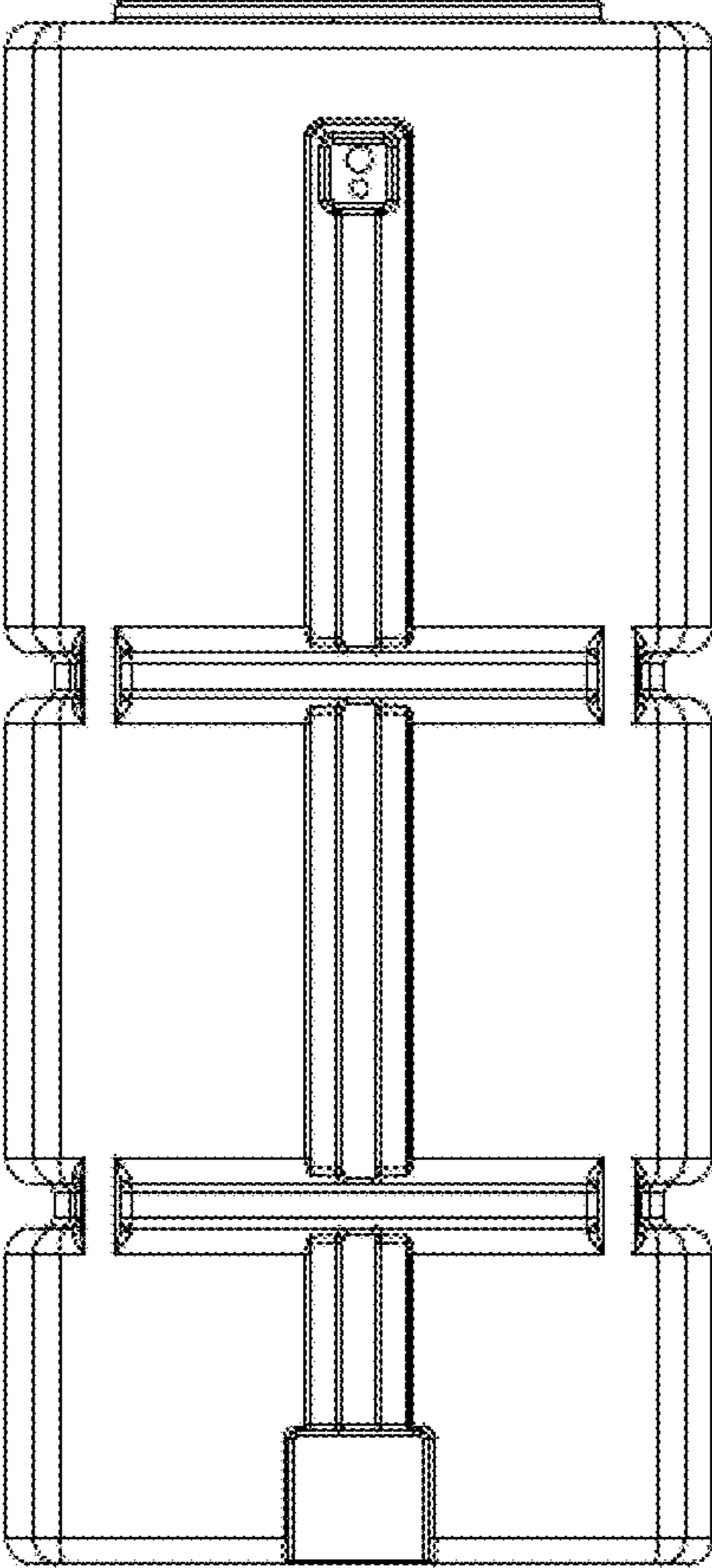


FIG. 8

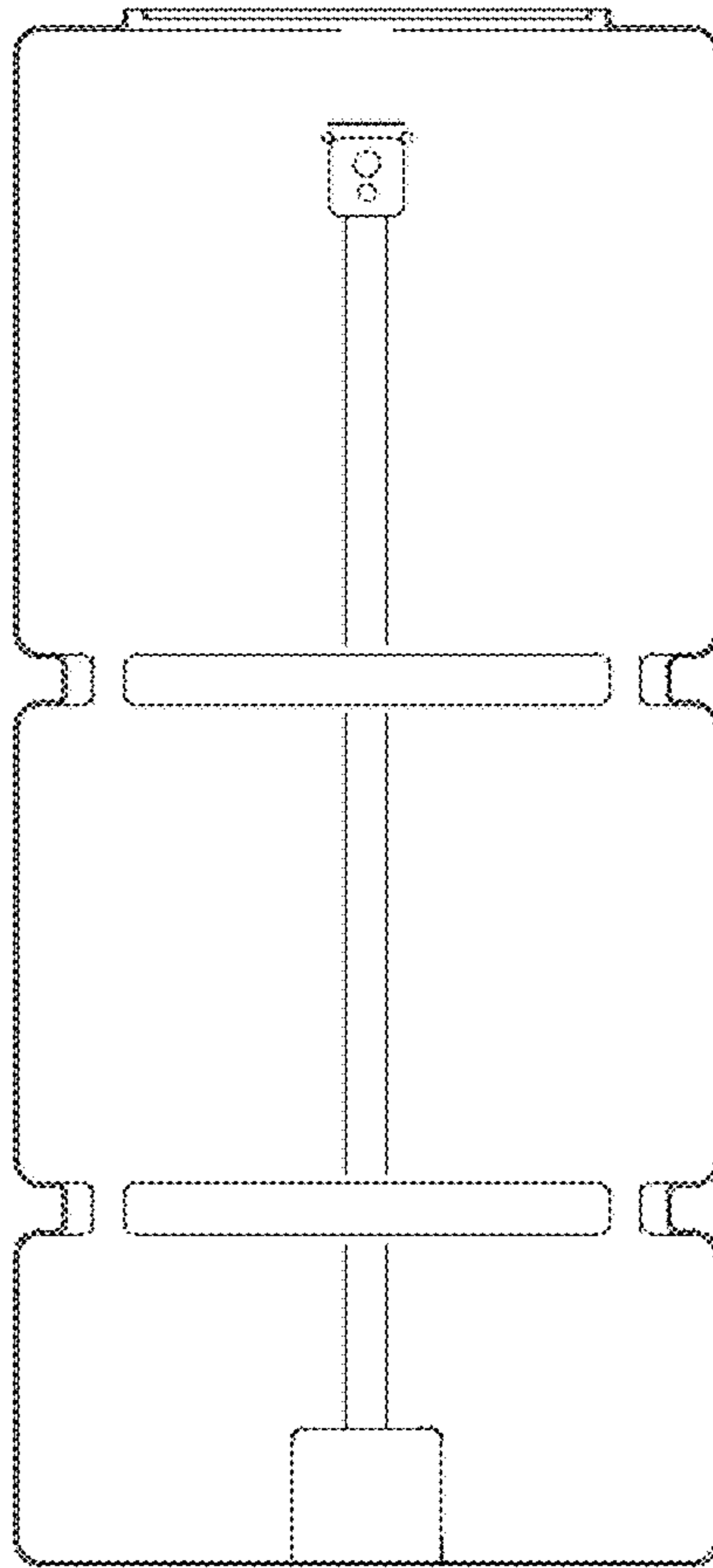


FIG. 9

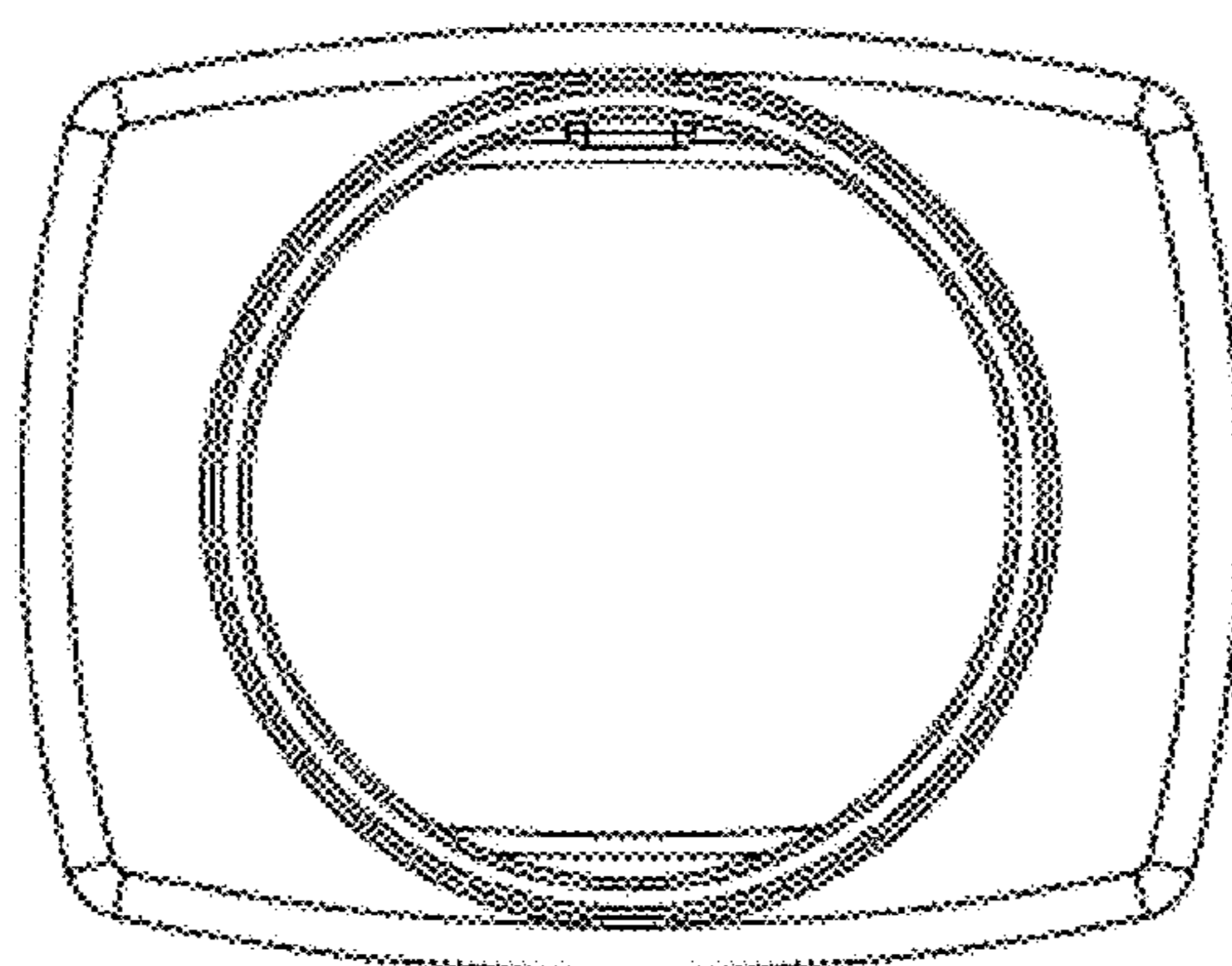


FIG. 10

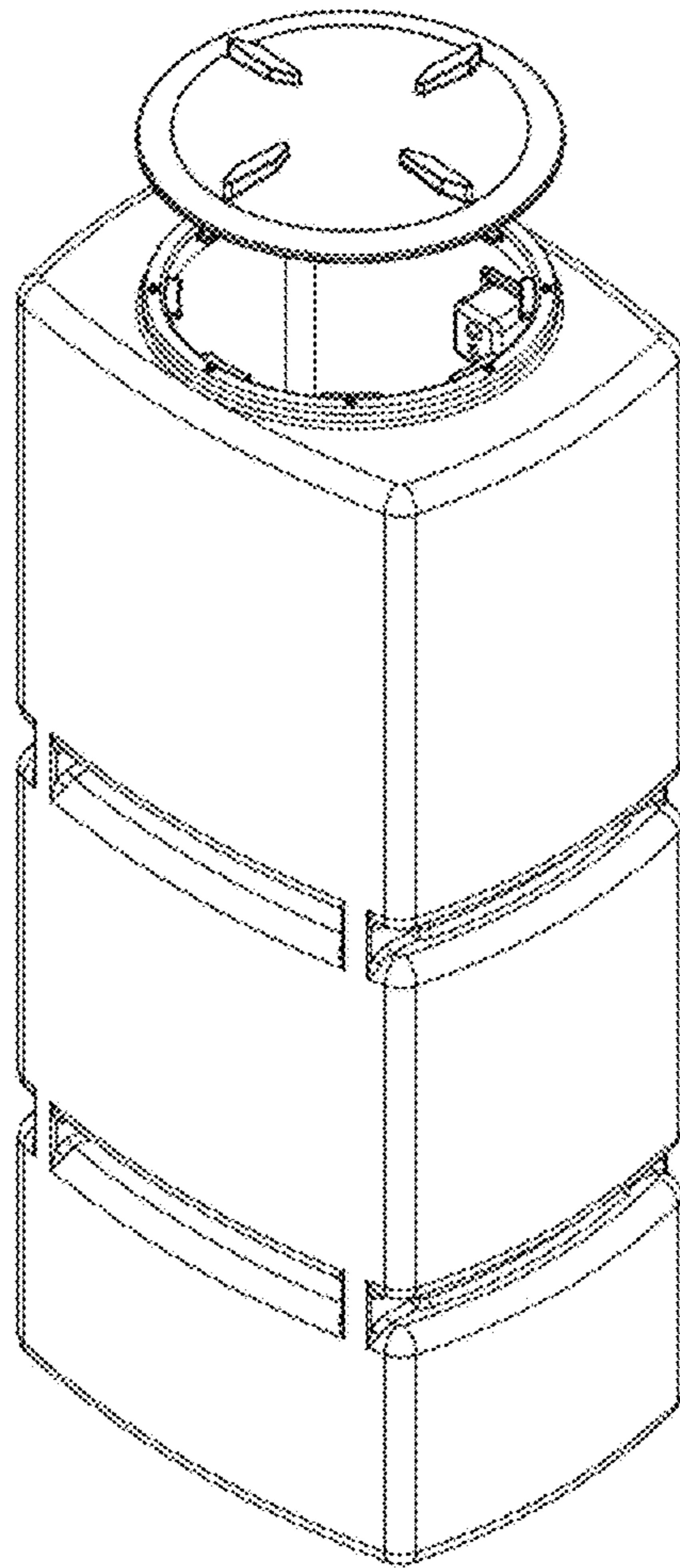


FIG. 11

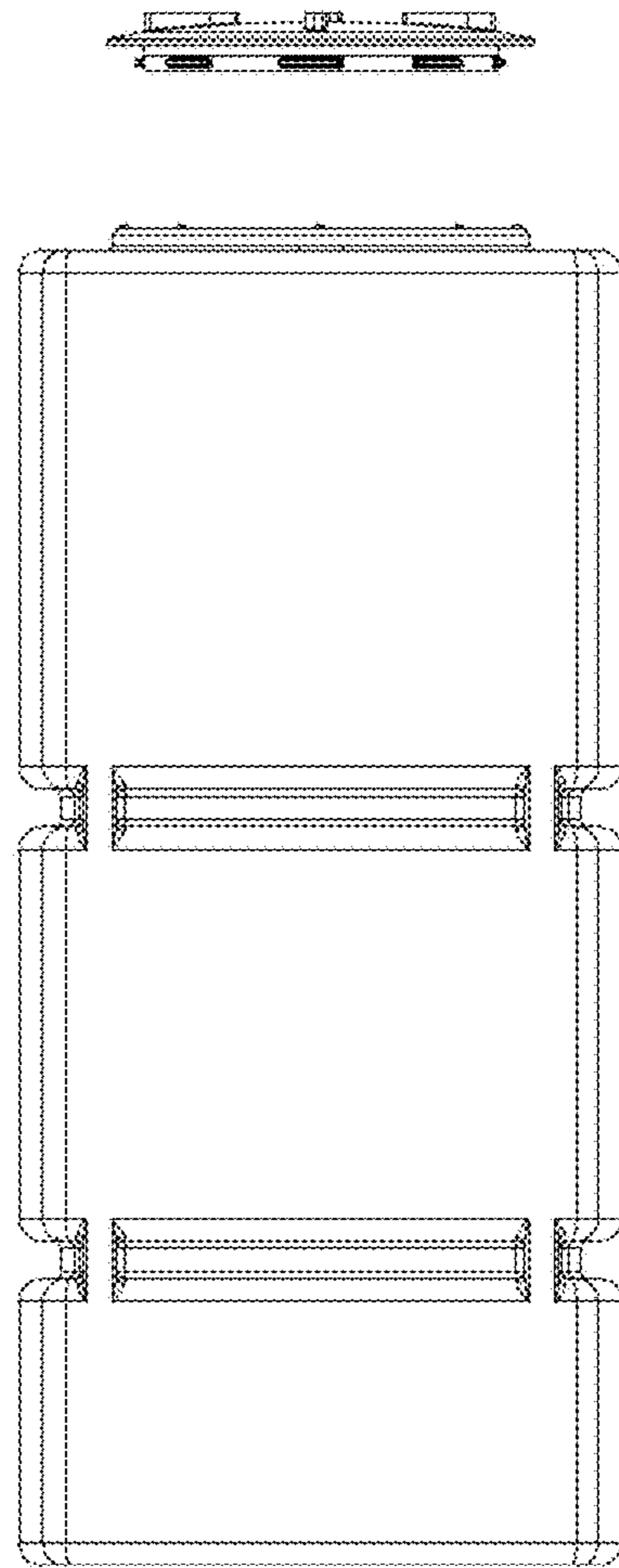


FIG. 12

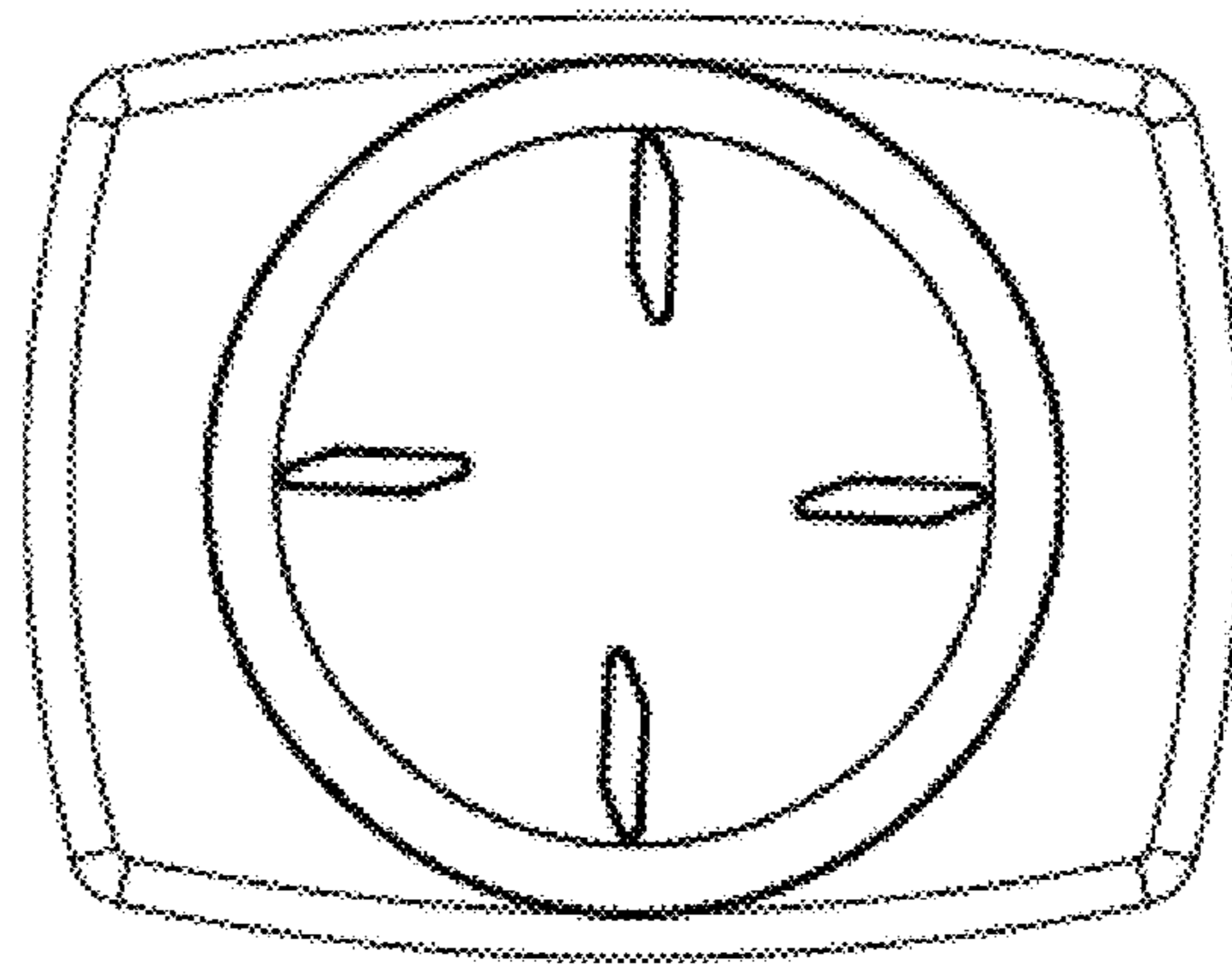


FIG. 13