



US00D860384S

(12) **United States Design Patent** (10) **Patent No.:** **US D860,384 S**
Yu (45) **Date of Patent:** **** Sep. 17, 2019**

(54) **FISHNET** 4,858,372 A * 8/1989 Ray A01K 97/20
43/55
(71) Applicant: **Wan-Sheng Yu, Taipei (TW)** D754,280 S * 4/2016 Krieger D22/135
D806,205 S * 12/2017 Plaza D22/135
(72) Inventor: **Wan-Sheng Yu, Taipei (TW)** 2015/0082686 A1 * 3/2015 Merritt A01K 97/20
43/55

(**) Term: **15 Years** * cited by examiner

(21) Appl. No.: **29/655,512**

Primary Examiner — Catherine R Oliver-Garcia

(22) Filed: **Jul. 4, 2018**

(51) **LOC (12) Cl.** **22-05**

(57) **CLAIM**

(52) **U.S. Cl.**
USPC **D22/135**

The ornamental design for a fishnet, as shown and described.

(58) **Field of Classification Search**
USPC D22/135, 199; 43/4, 11, 54.1, 55;
383/3, 117
CPC A01K 73/10; A01K 73/12; A01K 74/00;
A01K 97/04; A01K 97/05; A01K 97/20
See application file for complete search history.

DESCRIPTION

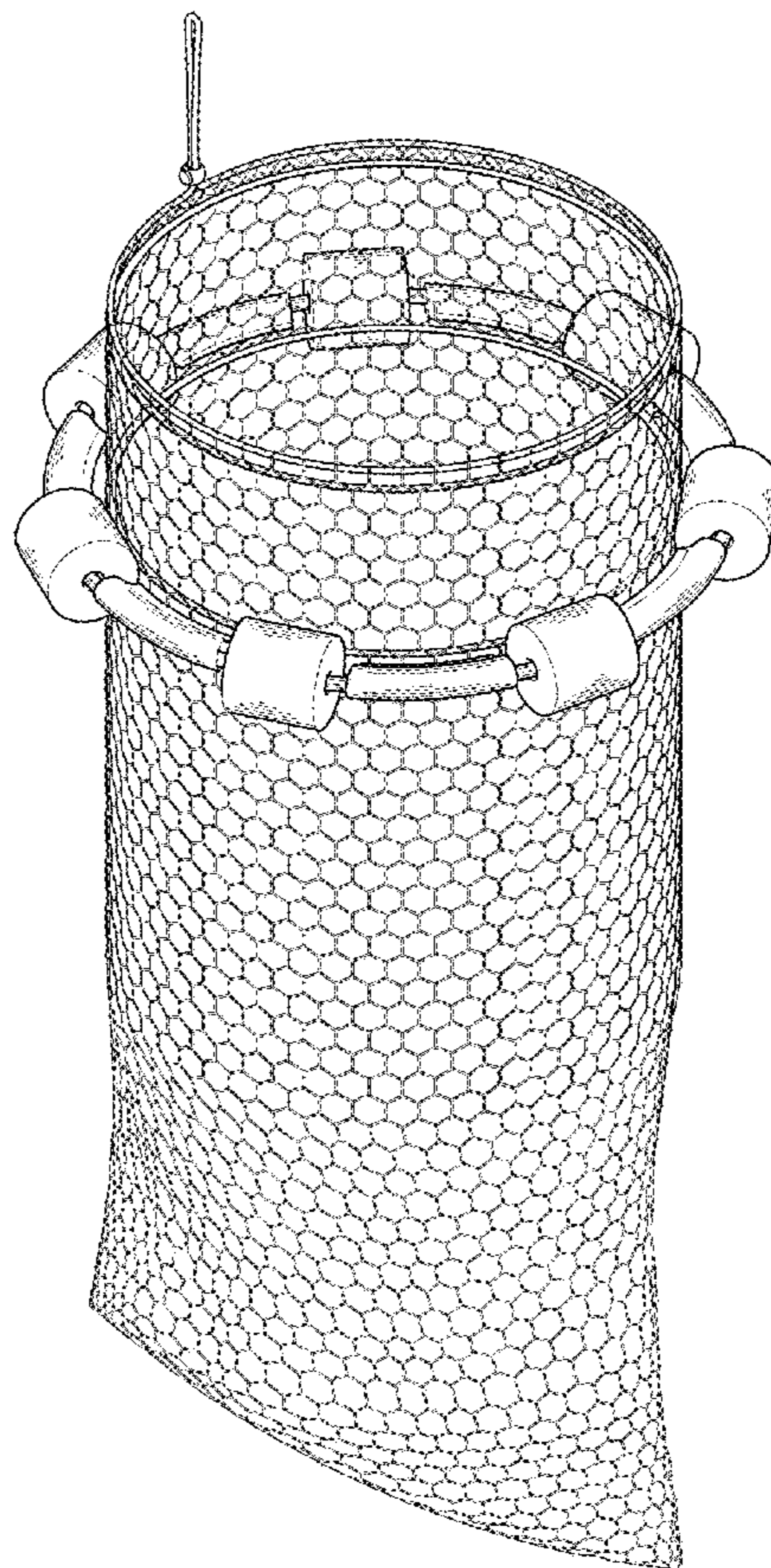
FIG. 1 is a perspective view of a fishnet according to my new design;
FIG. 2 is a front elevation view thereof;
FIG. 3 is a rear elevation view thereof;
FIG. 4 is a left side elevation view thereof;
FIG. 5 is a right side elevation view thereof;
FIG. 6 is a top plan view thereof; and,
FIG. 7 is a bottom plan view thereof.

(56) **References Cited**

U.S. PATENT DOCUMENTS

2,971,284 A * 2/1961 Opel A01K 74/00
43/11
3,919,803 A * 11/1975 Manguso A01K 97/20
43/55

1 Claim, 7 Drawing Sheets



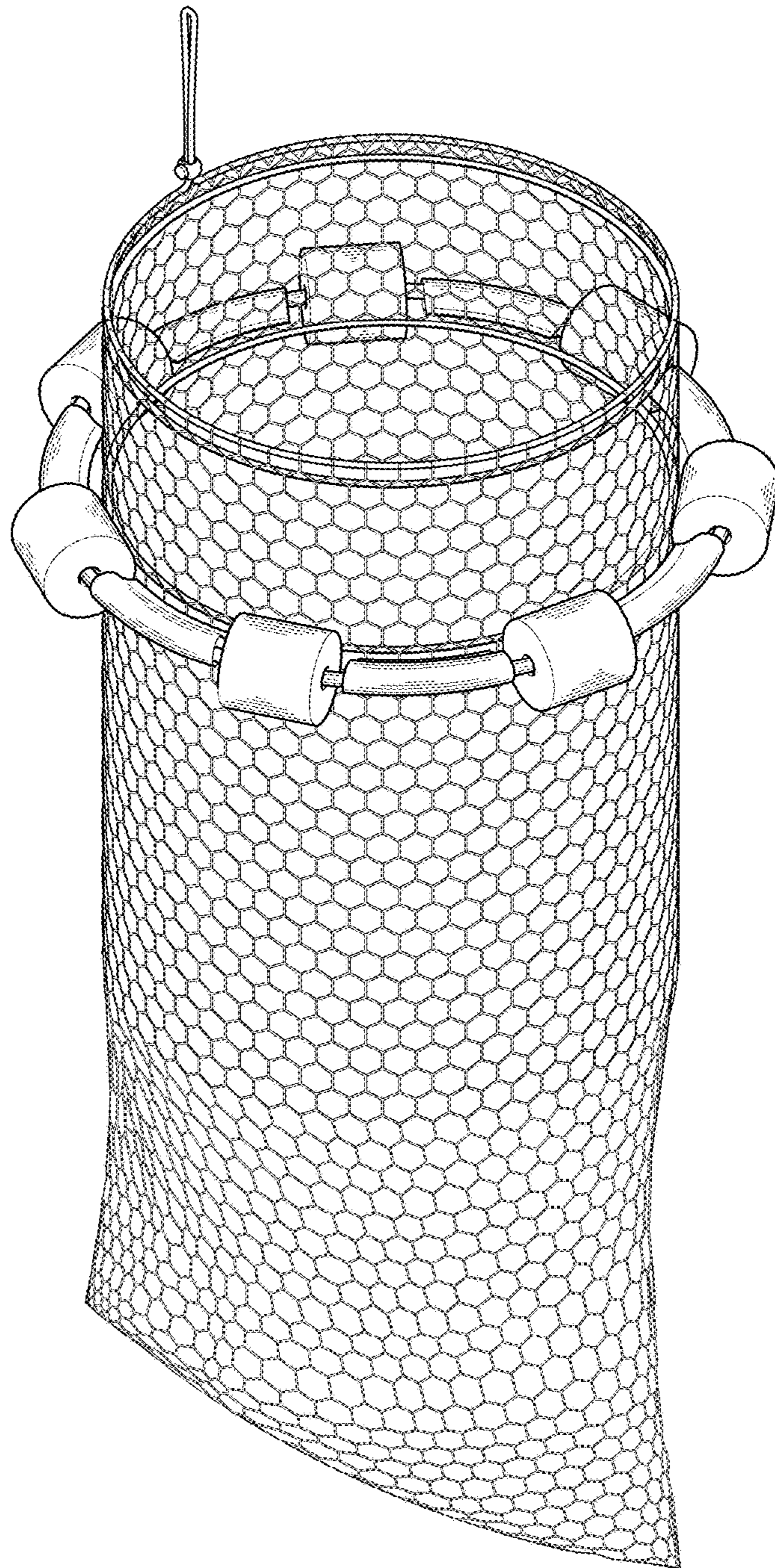


FIG. 1

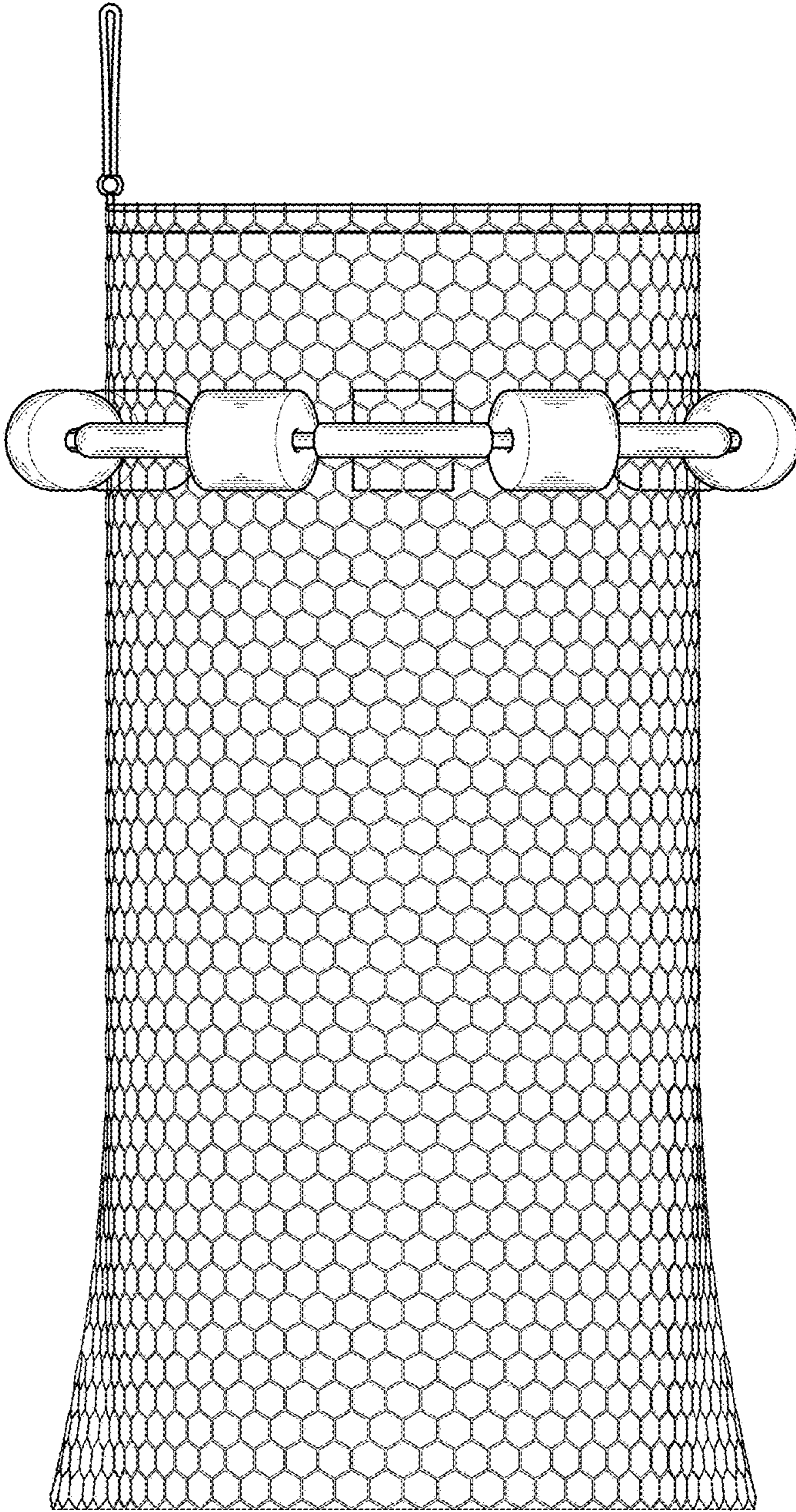


FIG.2

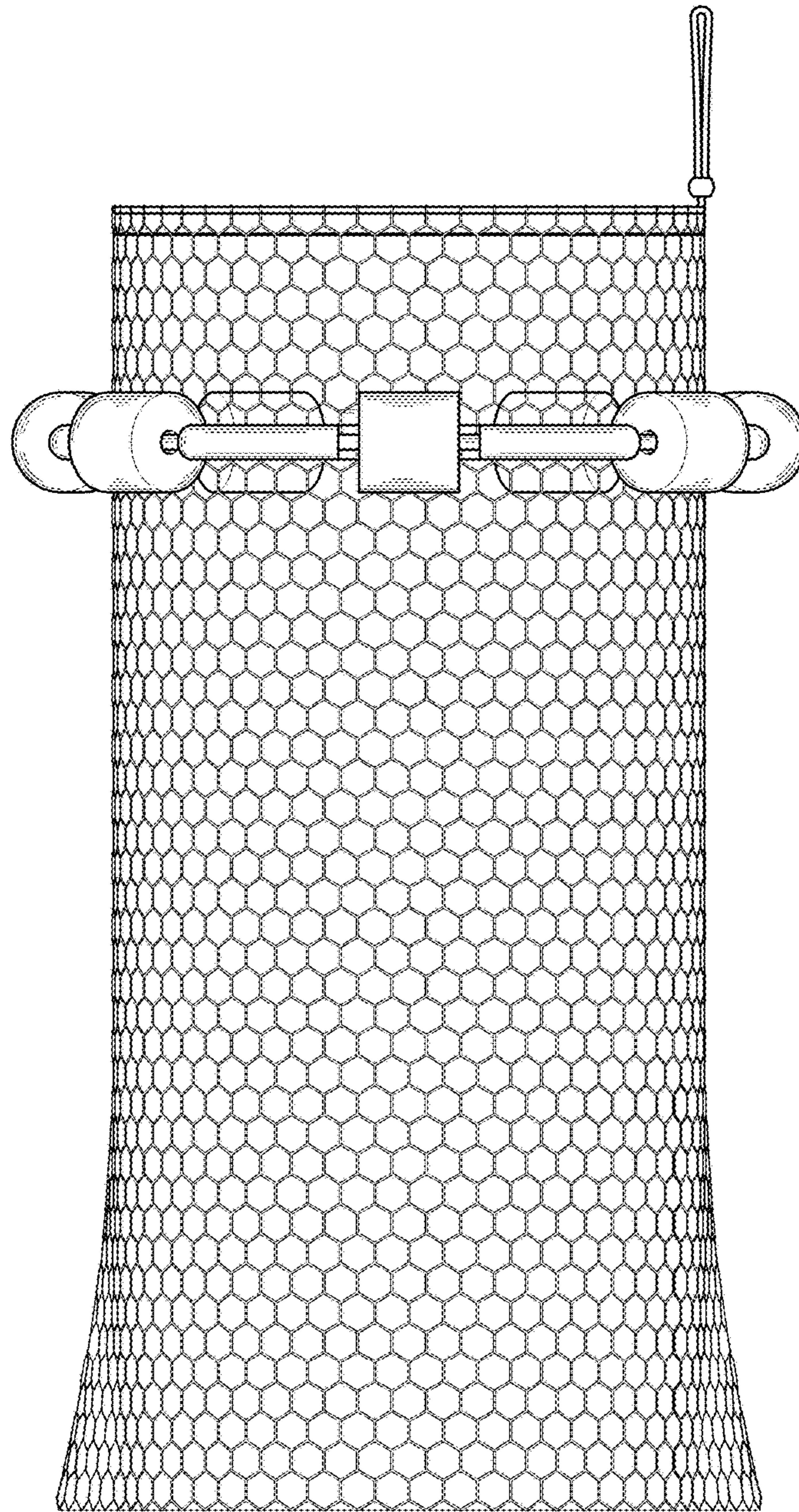


FIG.3

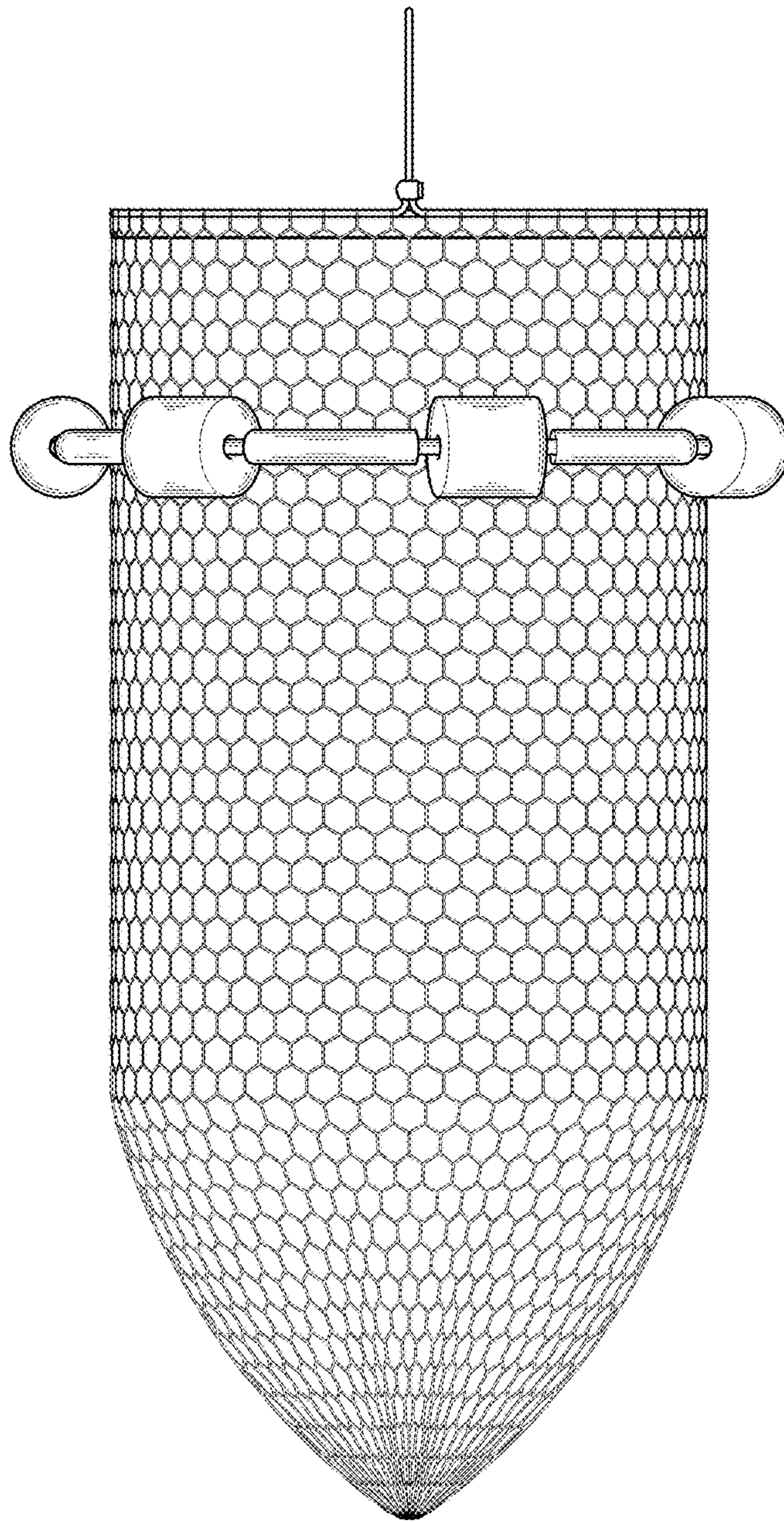


FIG.4

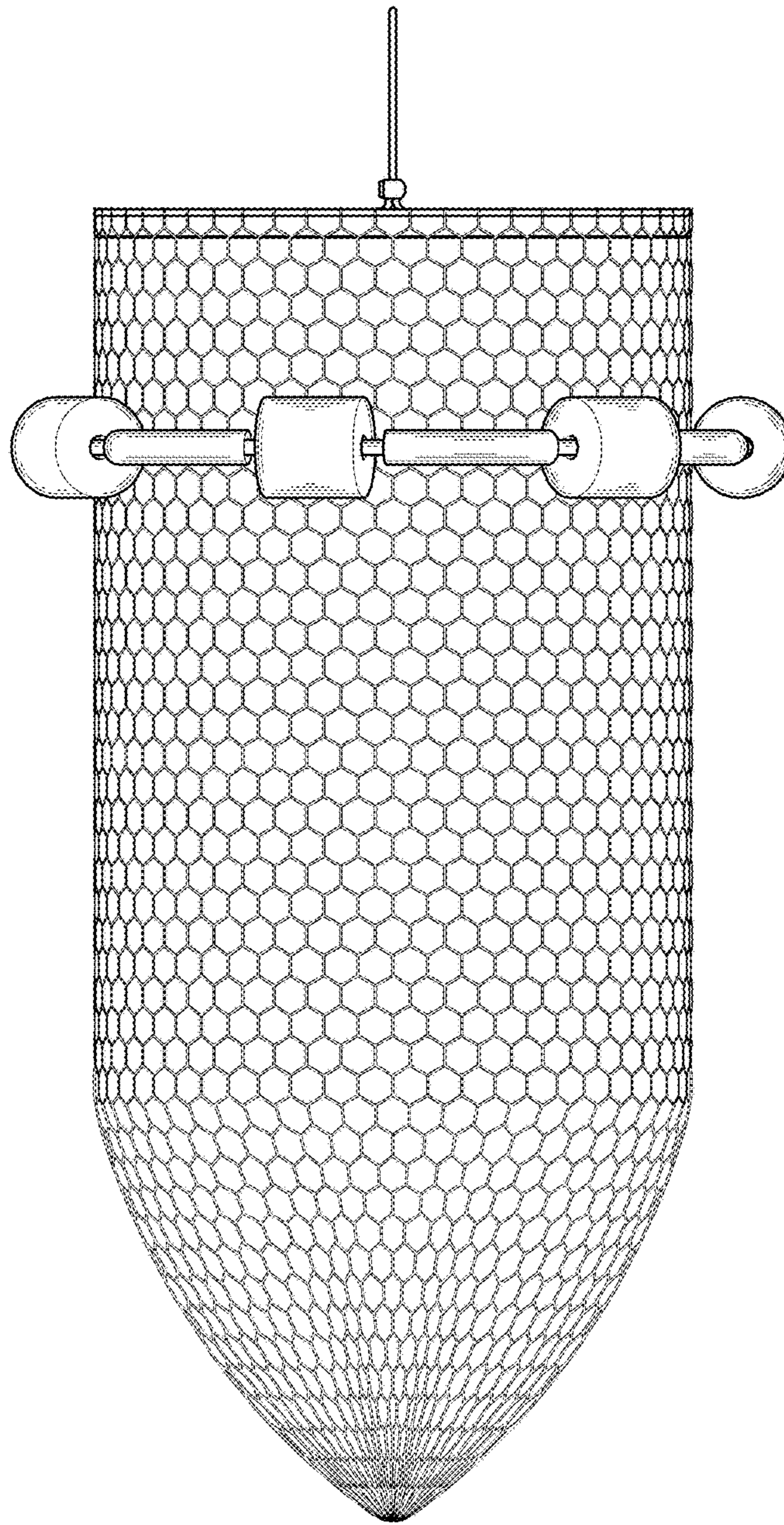


FIG.5

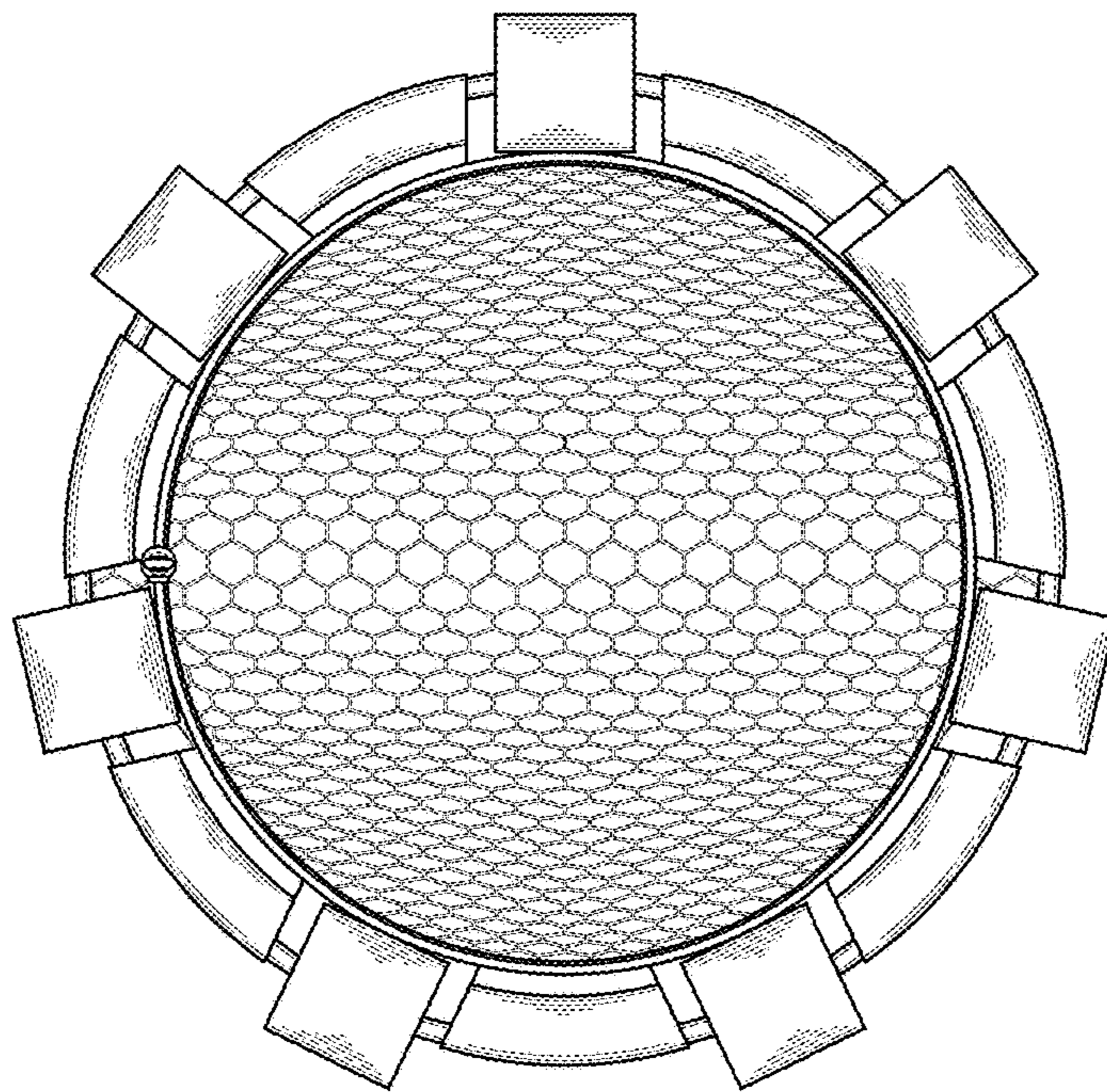


FIG. 6

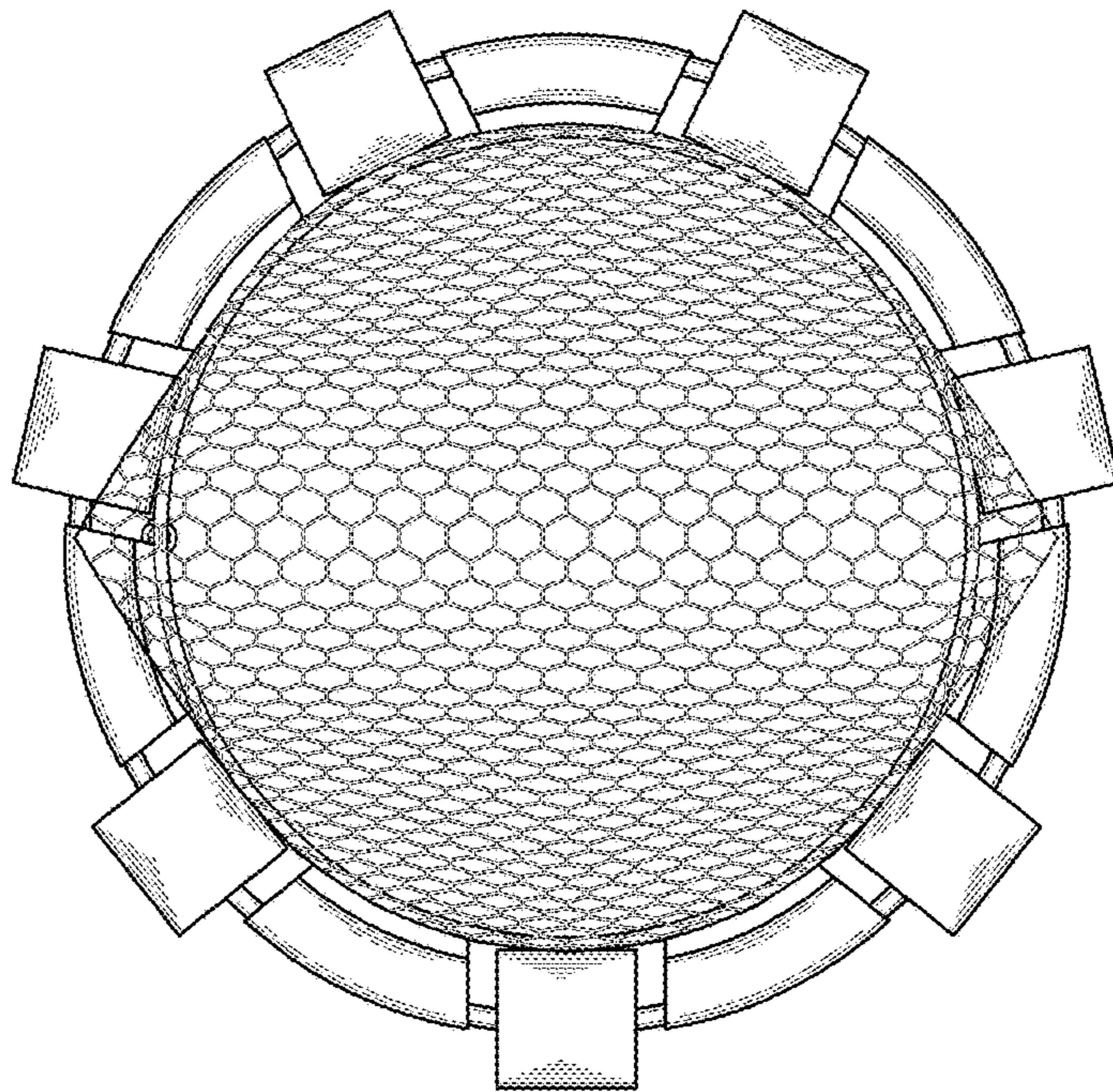


FIG. 7