

US00D860379S

(12) **United States Design Patent** (10) **Patent No.:** **US D860,379 S**
Pool (45) **Date of Patent:** **** *Sep. 17, 2019**

(54) **LIGHTED FISHING LURE** 4,201,006 A * 5/1980 Wetherald A01K 85/00
 (71) Applicant: **Pro-Troll, Inc.**, Concord, CA (US) D516,663 S * 3/2006 Pool D22/129
 (72) Inventor: **Richard B. Pool**, Lafayette, CA (US) D561,866 S * 2/2008 Smith D22/129
 (73) Assignee: **Pro-Troll, Inc.**, Concord, CA (US) D658,739 S * 5/2012 Thomson D22/129
 D746,939 S * 1/2016 Thomson D22/129
 D810,229 S * 2/2018 Pool D22/129

(*) Notice: This patent is subject to a terminal disclaimer.

(**) Term: **15 Years**

(21) Appl. No.: **29/599,316**

(22) Filed: **Mar. 31, 2017**

(51) **LOC (12) Cl.** **22-05**

(52) **U.S. Cl.** **D22/129**
 USPC

(58) **Field of Classification Search**
 USPC D22/126-133; 43/42.5, 42.31, 42.34,
 43/42.51, 42.39, 42.06, 42.33
 CPC A01K 85/00; A01K 85/14
 See application file for complete search history.

(56) **References Cited**

U.S. PATENT DOCUMENTS

2,828,572 A * 4/1958 Sargent A01K 85/14
 43/42.39
 4,122,624 A * 10/1978 Smith A01K 85/14
 43/42.33

* cited by examiner

Primary Examiner — Catherine R Oliver-Garcia
 (74) *Attorney, Agent, or Firm* — Peter Tormey; Antero,
 Tormey & Petrin, PC

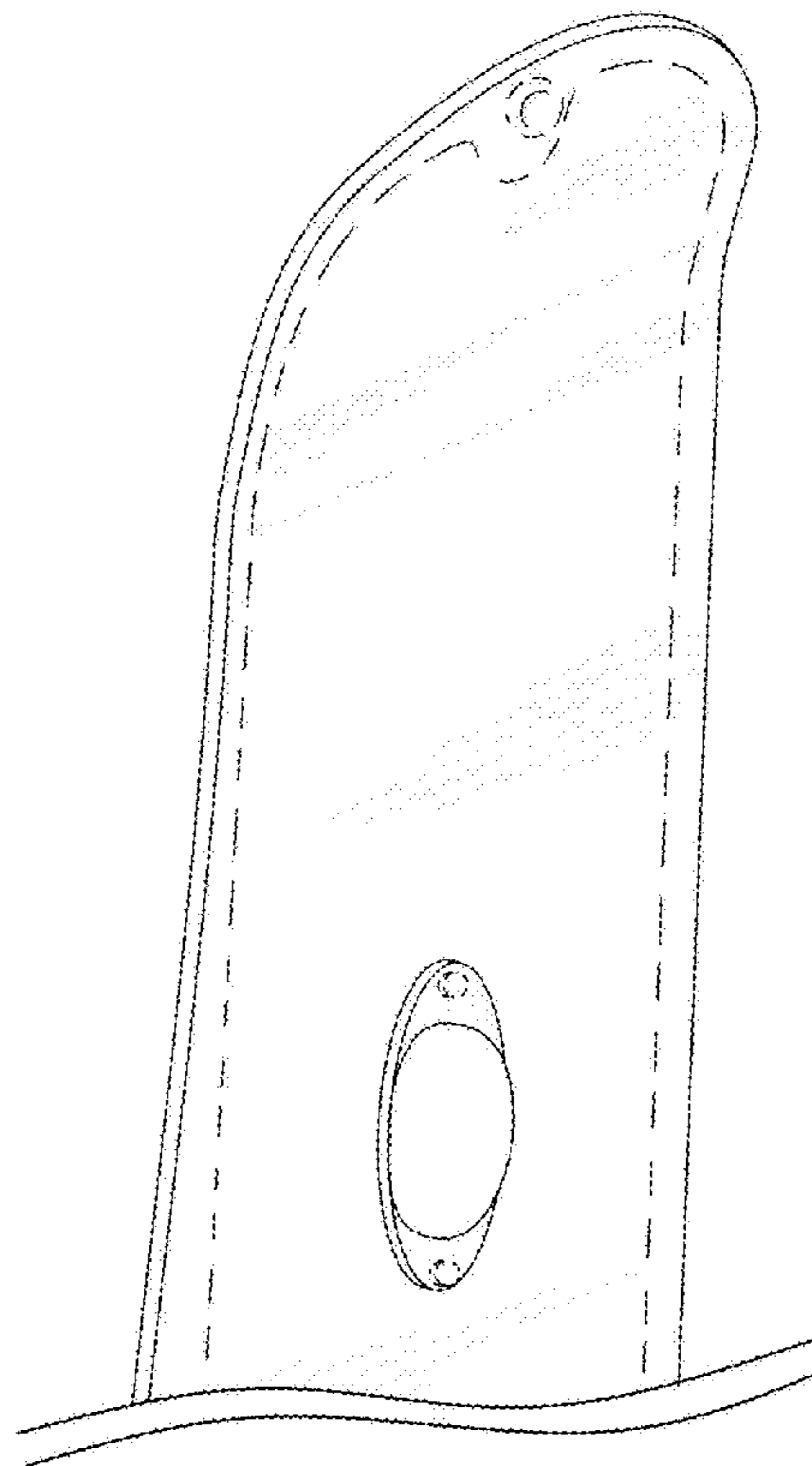
(57) **CLAIM**

The ornamental design for a lighted fishing lure, as shown and described.

DESCRIPTION

FIG. 1 is a front, left and top perspective view of the lighted fishing lure;
 FIG. 2 is a front and top perspective view thereof;
 FIG. 3 is a rear elevation view thereof;
 FIG. 4 is a right side view thereof;
 FIG. 5 is a left side view thereof;
 FIG. 6 is a top plan view thereof; and,
 FIG. 7 is a bottom plan view.
 The break lines are included for convenience of illustration.

1 Claim, 7 Drawing Sheets



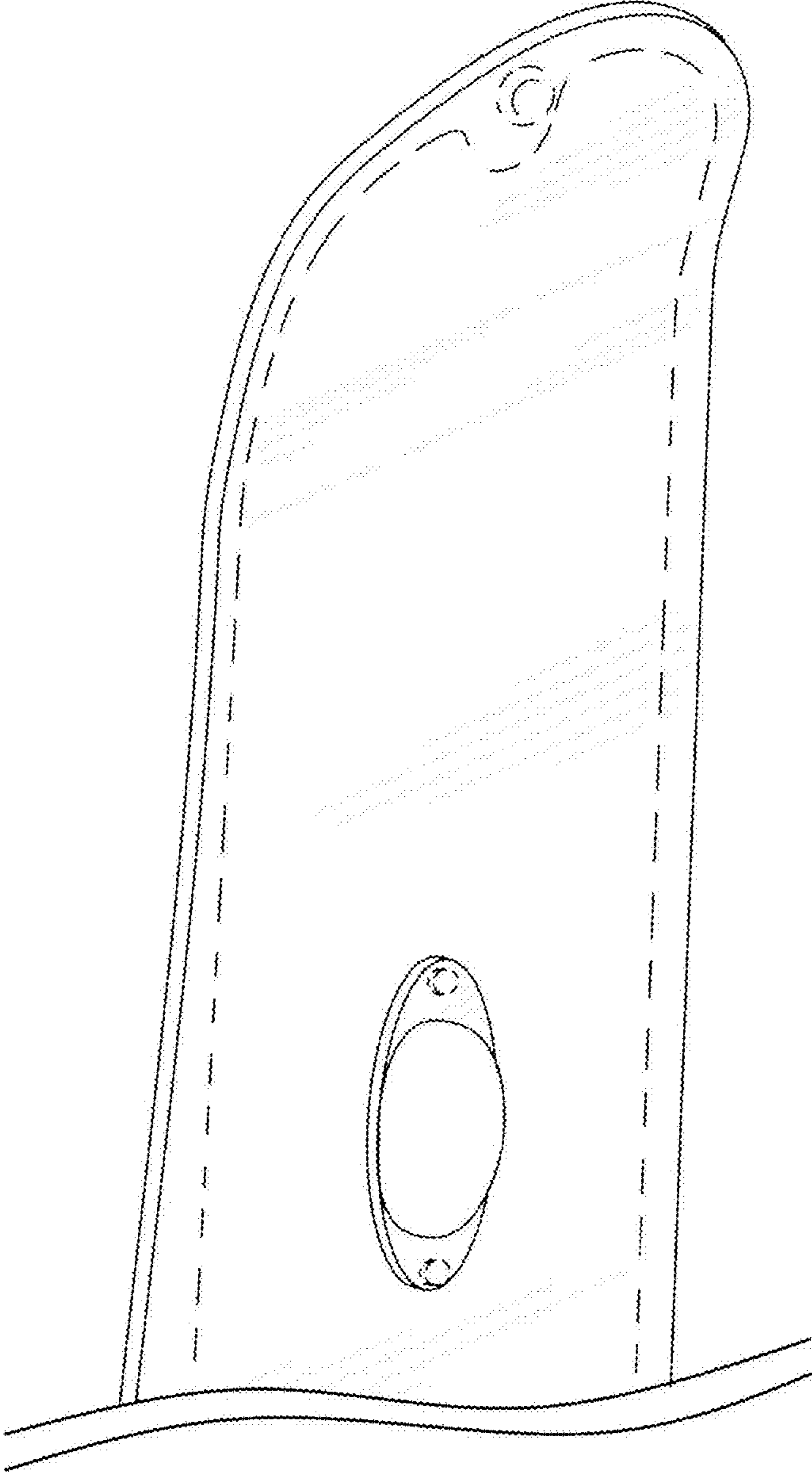


FIG. 1

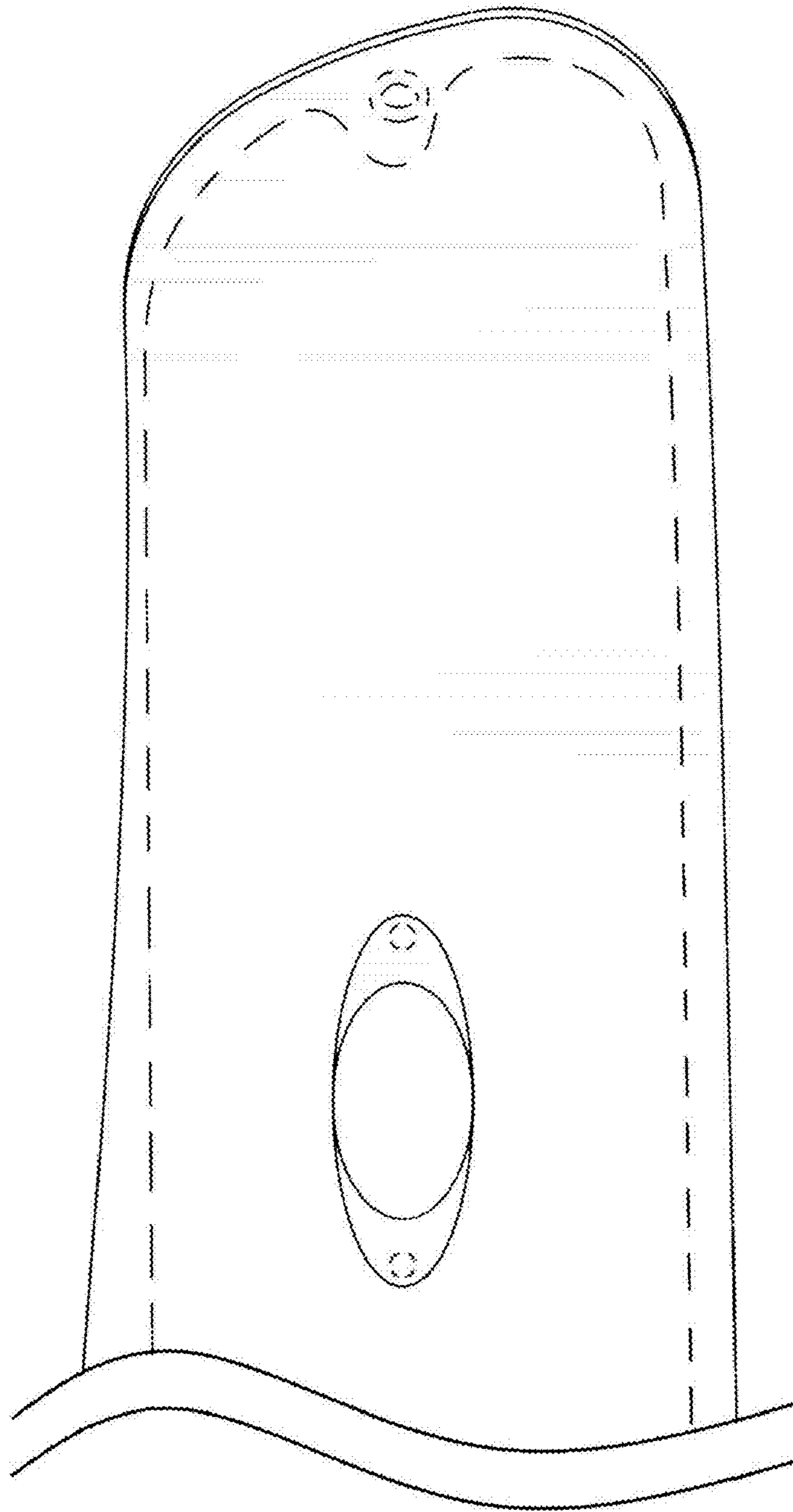


FIG. 2

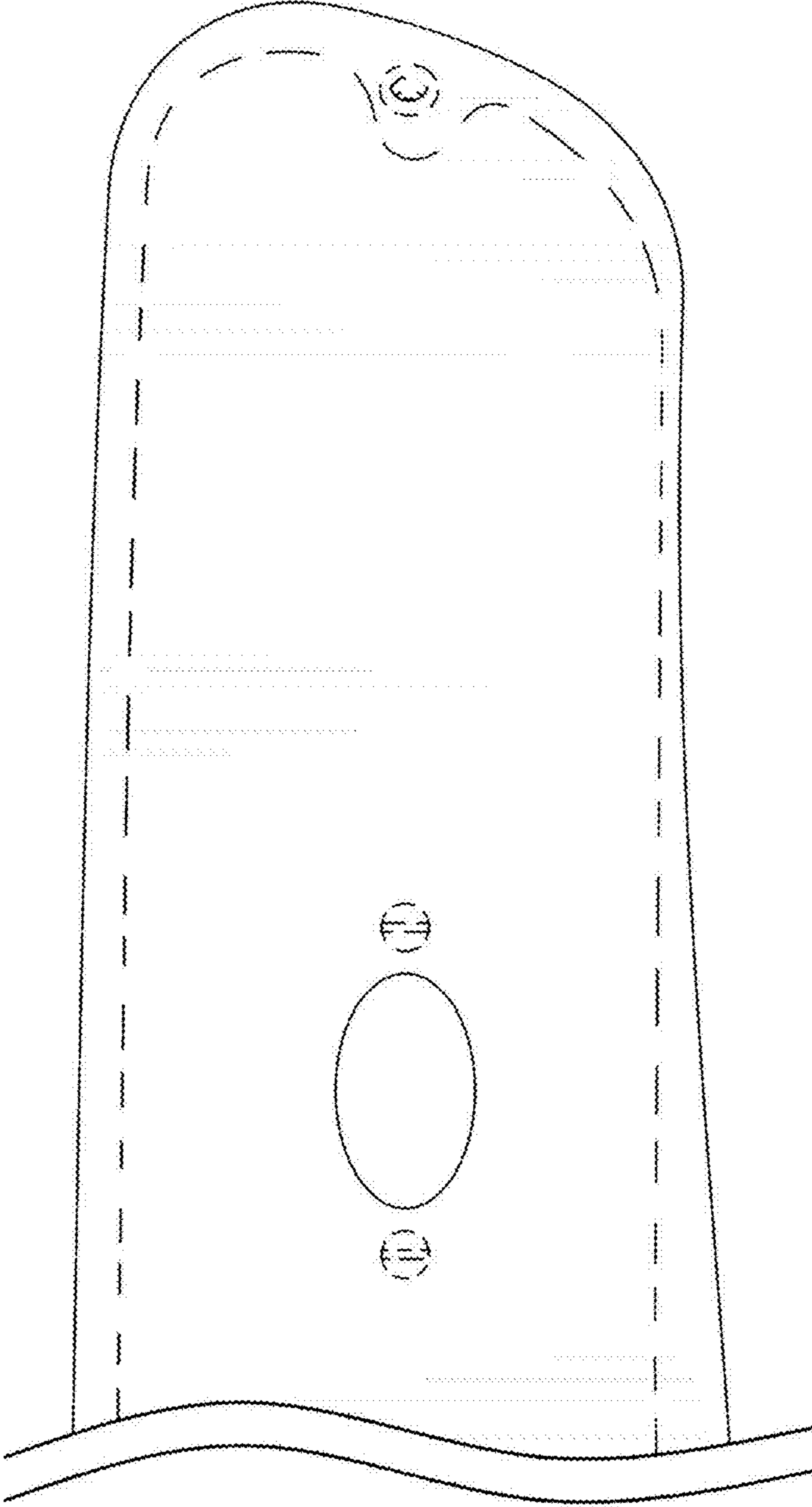


FIG. 3

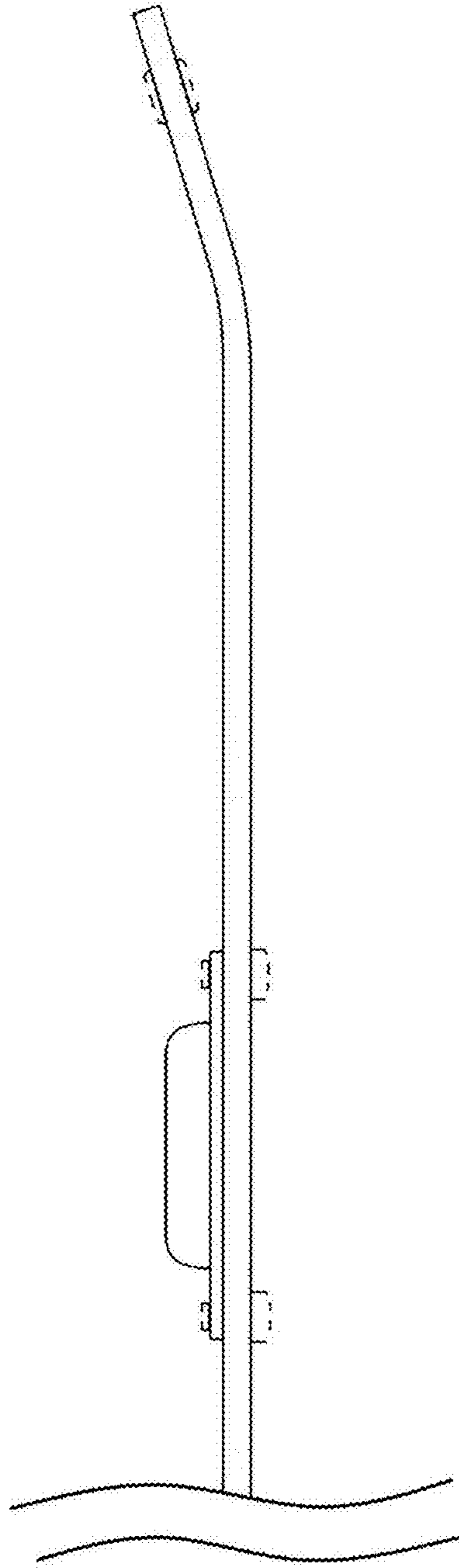


FIG. 4

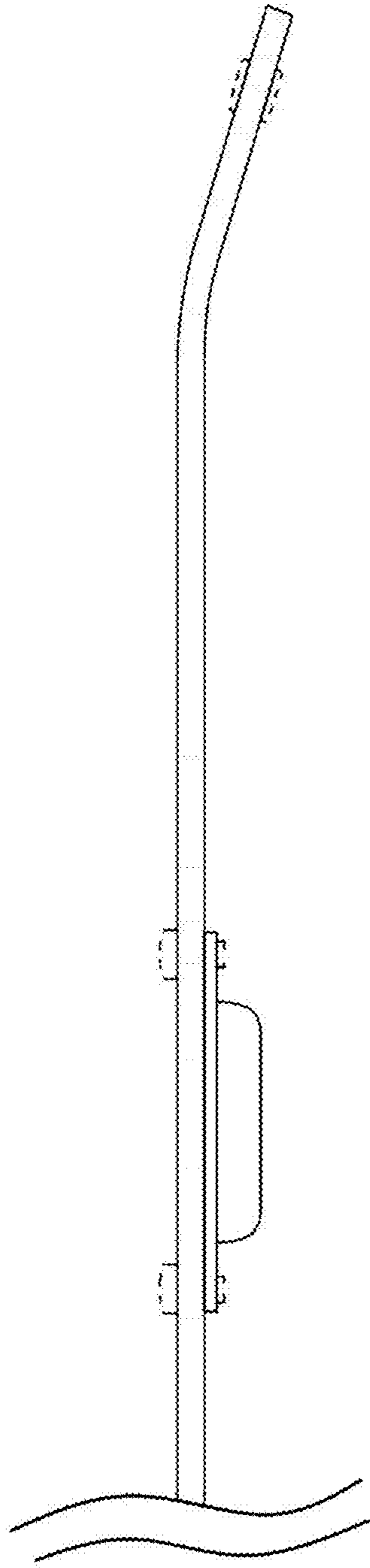


FIG. 5



FIG. 6

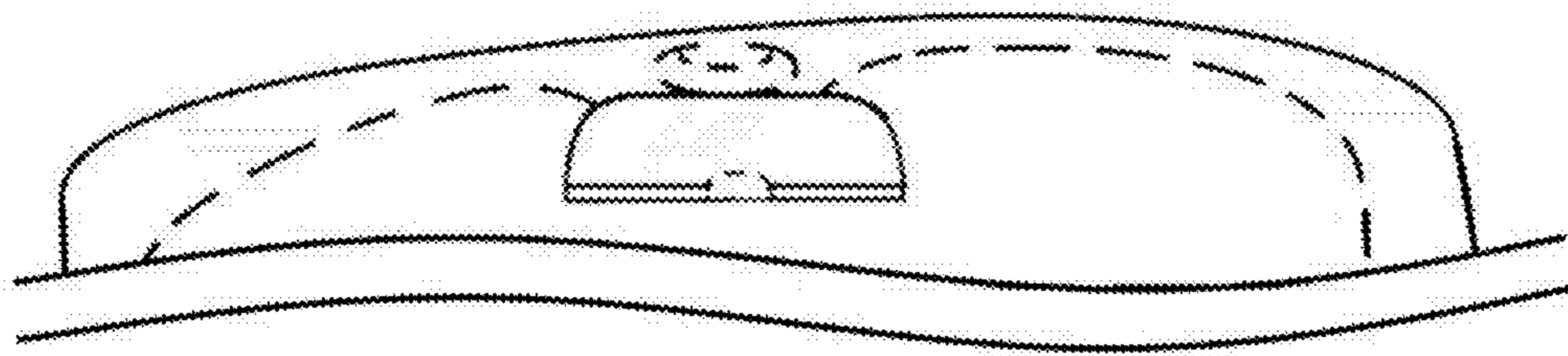


FIG. 7