



US00D860377S

(12) **United States Design Patent** (10) **Patent No.:** **US D860,377 S**
Allen (45) **Date of Patent:** **** Sep. 17, 2019**

(54) **NON-LETHAL PROJECTILE**
 (71) Applicant: **Rick Allen**, Largo, FL (US)
 (72) Inventor: **Rick Allen**, Largo, FL (US)
 (**) Term: **15 Years**
 (21) Appl. No.: **29/649,727**
 (22) Filed: **Jun. 1, 2018**
 (51) **LOC (12) Cl.** **22-06**
 (52) **U.S. Cl.**
 USPC **D22/115**
 (58) **Field of Classification Search**
 USPC D22/115-116
 CPC F41C 27/06; F41A 21/32
 See application file for complete search history.

(56) **References Cited**
 U.S. PATENT DOCUMENTS
 3,981,093 A * 9/1976 Reed F41C 27/06
 42/105
 8,959,821 B1 * 2/2015 Calvert F41A 21/18
 42/76.01
 2011/0017185 A1 * 1/2011 Udwin F41A 21/32
 124/65
 2012/0313299 A1 * 12/2012 Bleicken B23K 20/00
 266/48

2014/0109454 A1 * 4/2014 Rayner F41H 13/00
 42/76.01
 2017/0328665 A1 * 11/2017 Bailey F41A 21/10
 2019/0011219 A1 * 1/2019 Mezynski F41C 27/06

* cited by examiner

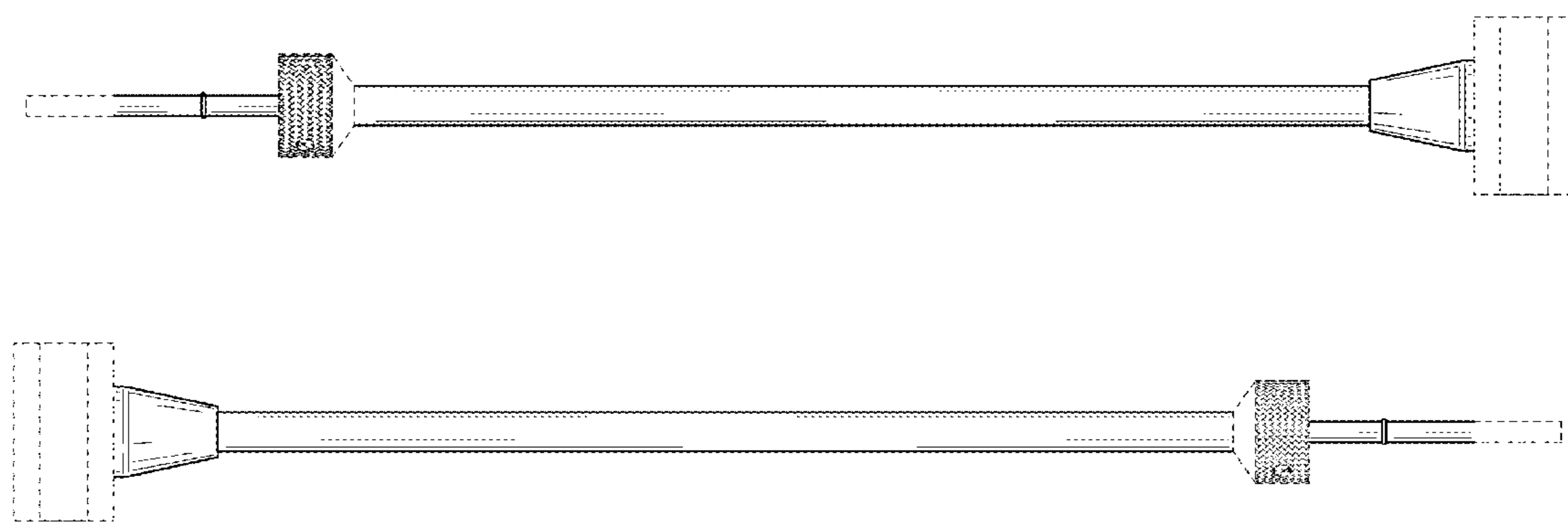
Primary Examiner — Michael A. Pratt
 (74) *Attorney, Agent, or Firm* — Larson & Larson, P.A.;
 Justin P. Miller; Frank Liebenow

(57) **CLAIM**
 The ornamental design for a non-lethal projectile, as shown and described.

DESCRIPTION

FIG. 1 is a perspective view of a non-lethal projectile showing my new design;
 FIG. 2 is a front elevation view thereof;
 FIG. 3 is a back elevation thereof;
 FIG. 4 is a top plan view thereof;
 FIG. 5 is a bottom plain view thereof;
 FIG. 6 is a right-side elevation view thereof;
 FIG. 7 is a left-side elevation view thereof;
 FIG. 8 is a second perspective view thereof showing the non-lethal projectile affixed to firearm; and,
 FIG. 9 is a detailed view, showing the non-lethal projectile. The broken lines depicting part of a handgun in FIG. 8 are for the purpose of illustrating the unclaimed portions of the article and form no part of the claimed design.

1 Claim, 5 Drawing Sheets



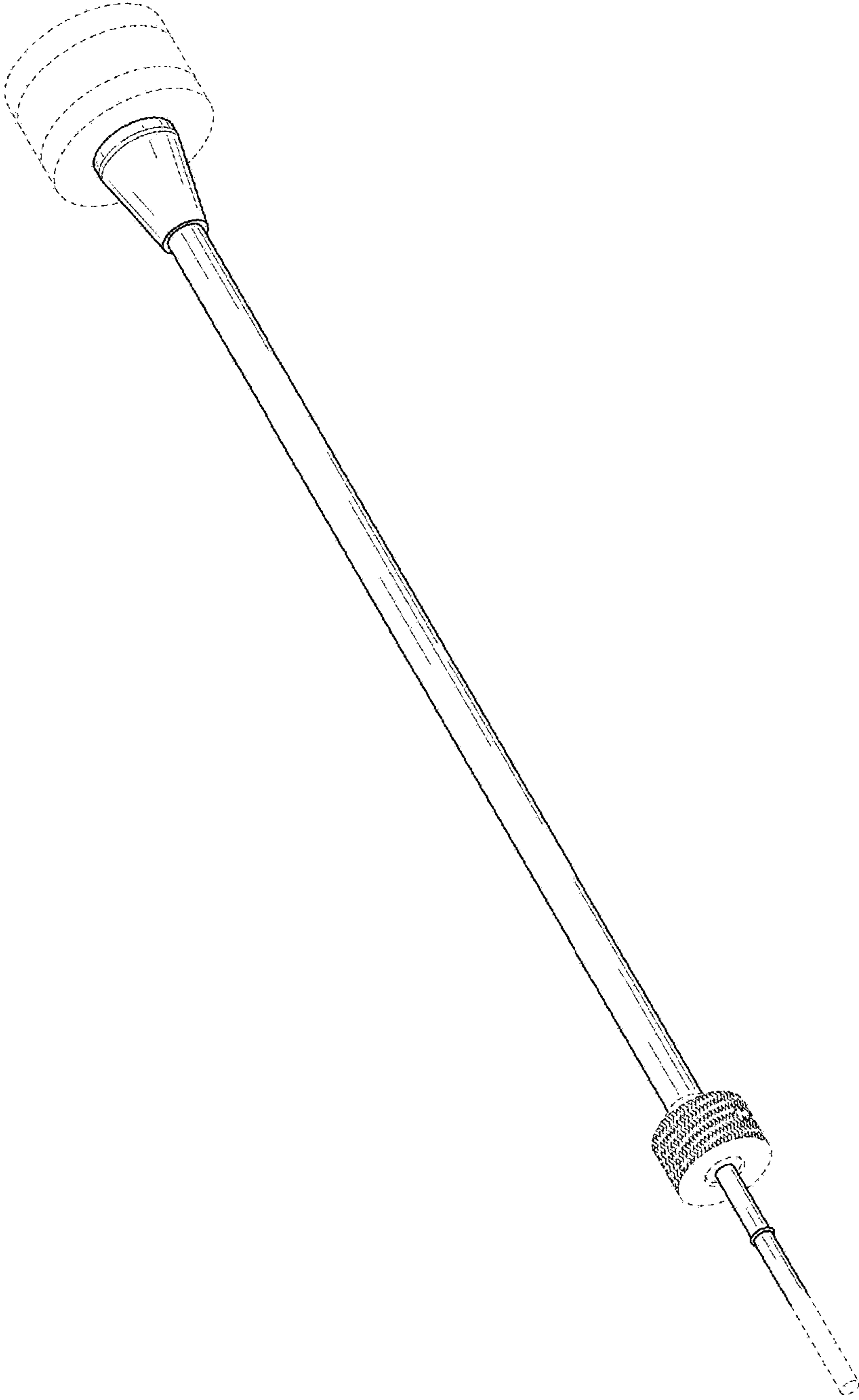


FIG. 1

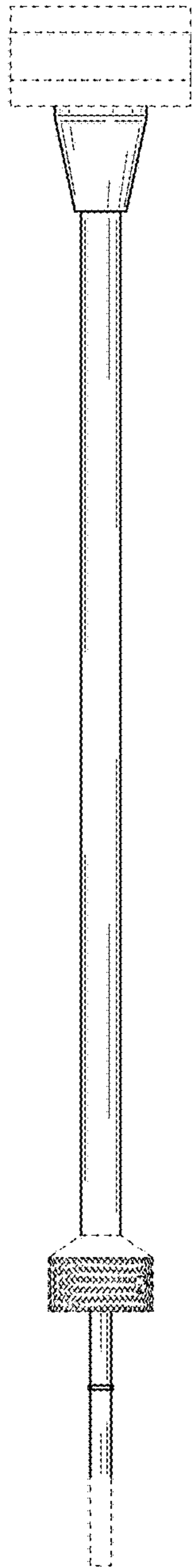


FIG. 2

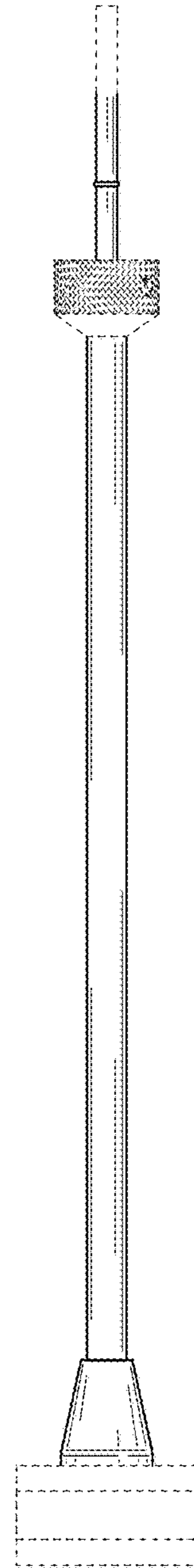


FIG. 3

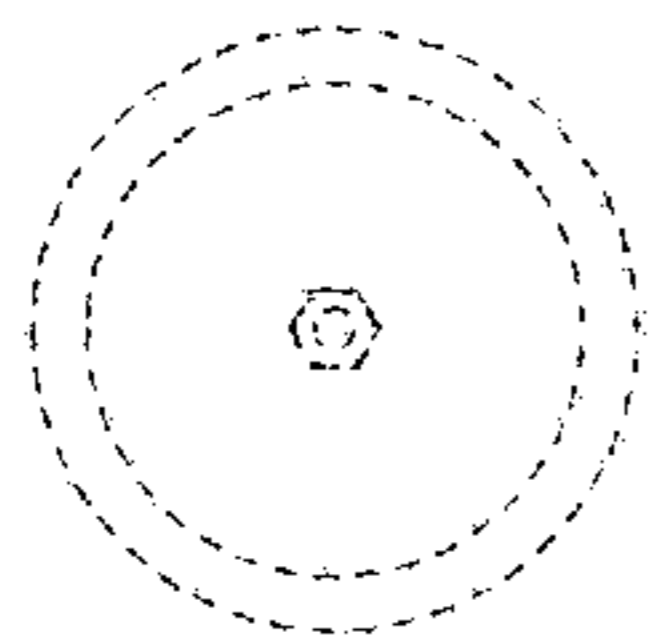


FIG. 4

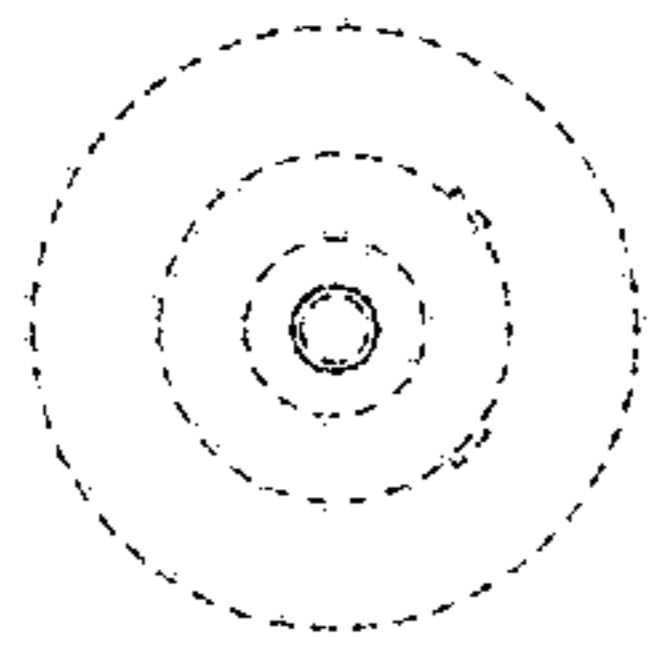


FIG. 5

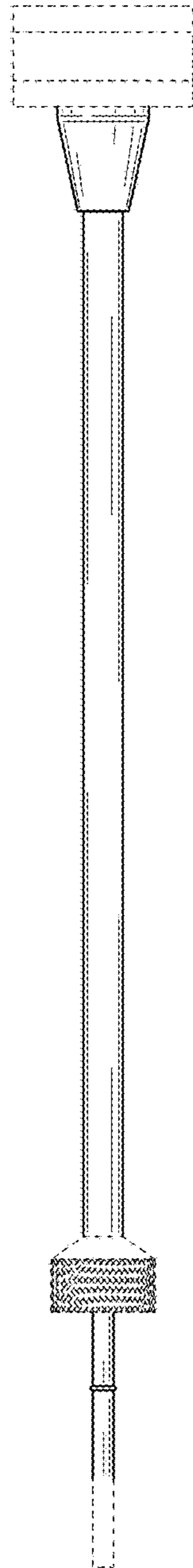


FIG. 6

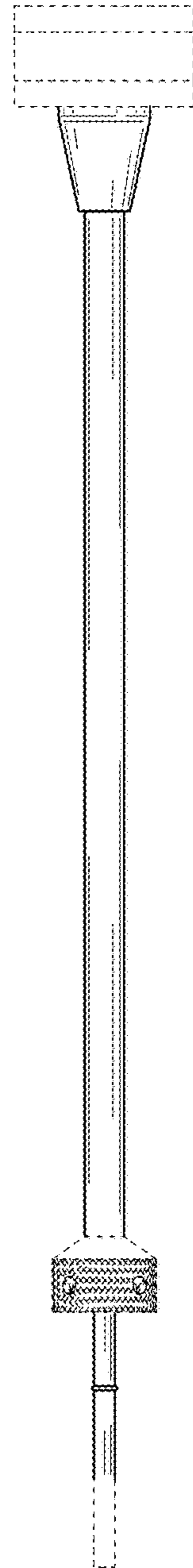


FIG. 7

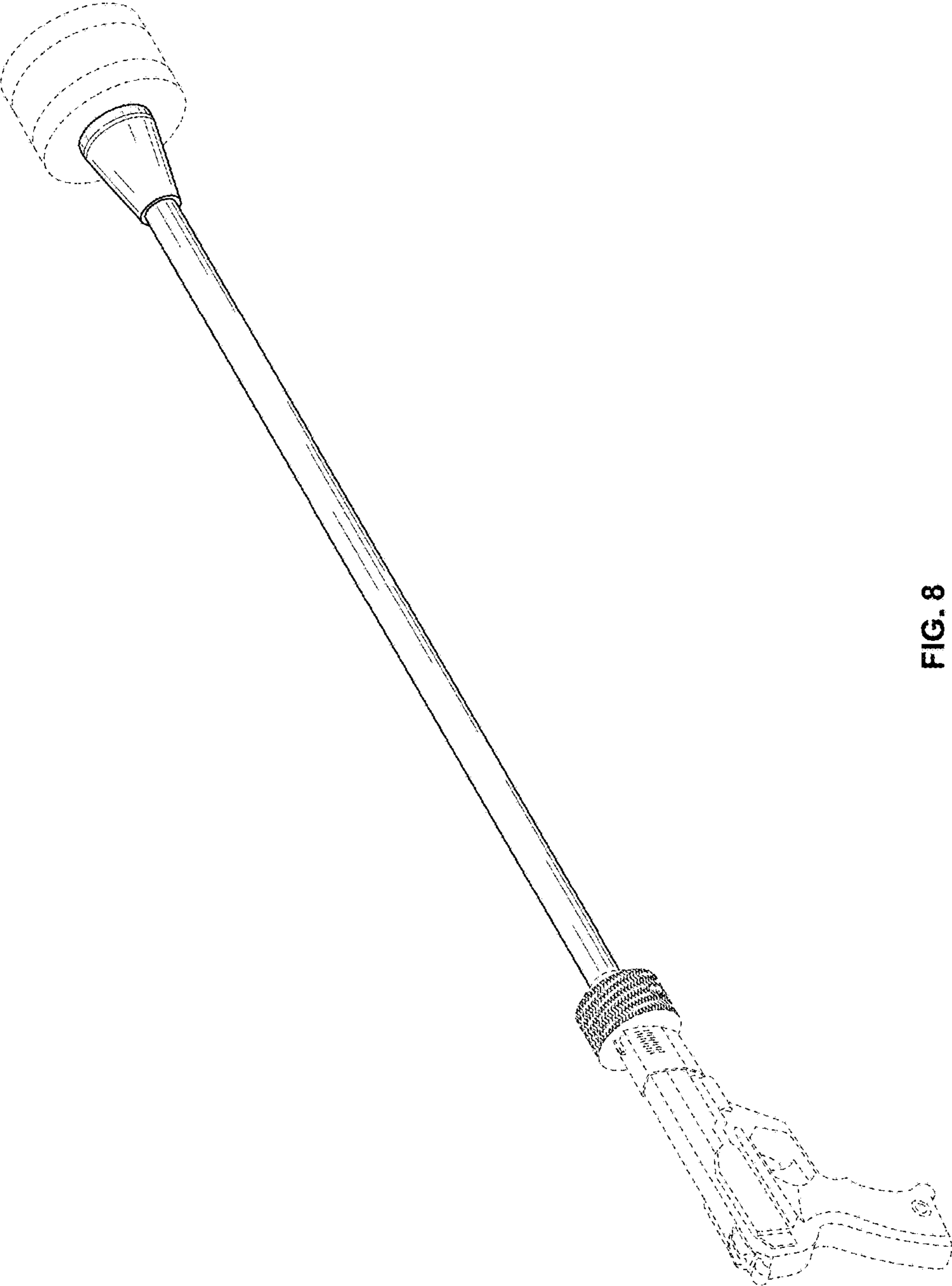


FIG. 8

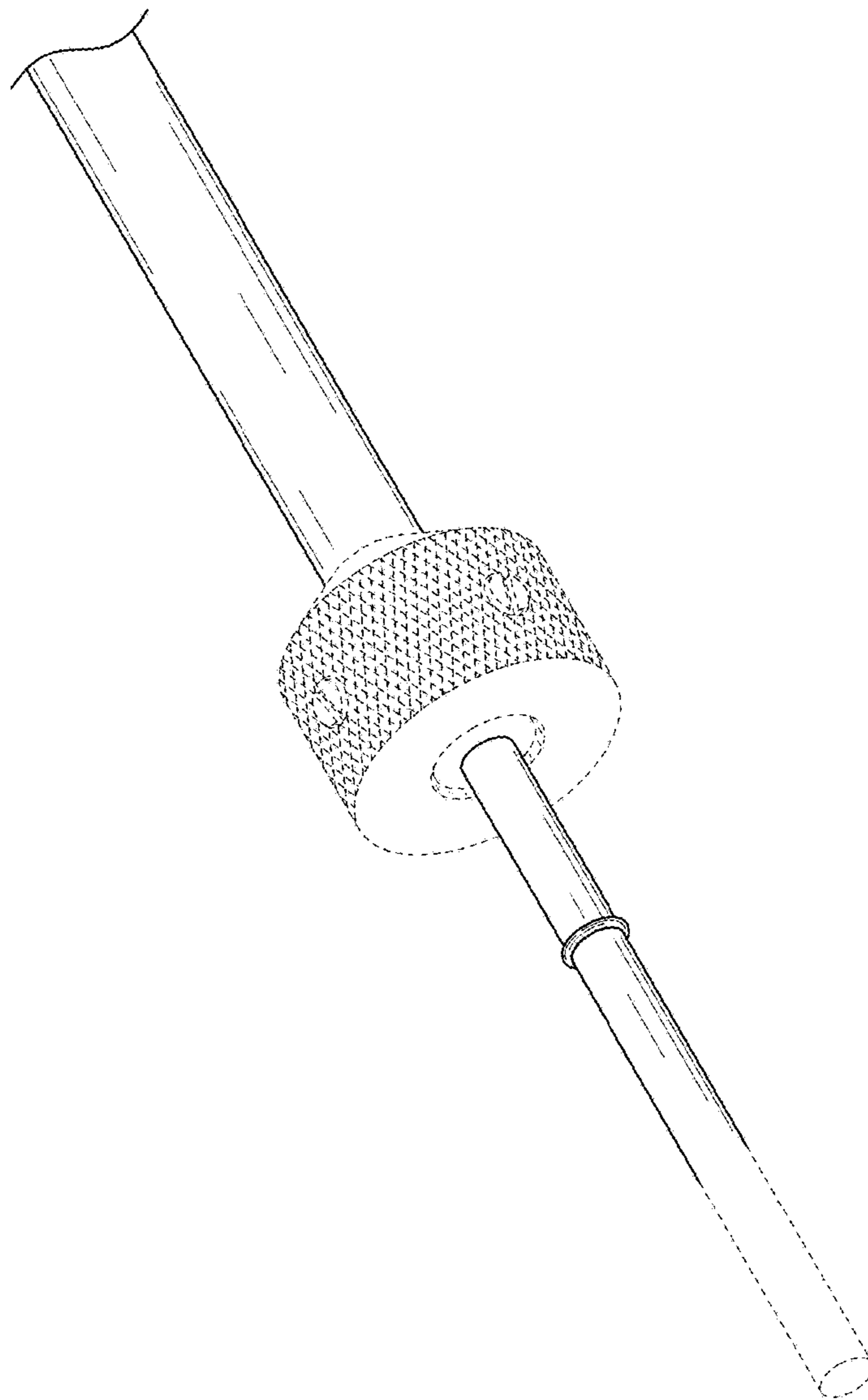


FIG. 9