

US00D860376S

(12) **United States Design Patent** (10) **Patent No.:** **US D860,376 S**  
**Boso** (45) **Date of Patent:** **\*\* Sep. 17, 2019**

(54) **TWO-PIECE FIREARMS TARGET**

(71) Applicant: **Holdover Target Systems LLC**,  
Cascade, MT (US)

(72) Inventor: **Joseph Boso**, Cascade, MT (US)

(73) Assignee: **Holdover Target Systems LLC**,  
Cascade, MT (US)

(\*\*) Term: **15 Years**

(21) Appl. No.: **29/655,225**

(22) Filed: **Jul. 1, 2018**

(51) **LOC (12) Cl.** ..... **22-04**

(52) **U.S. Cl.**  
USPC ..... **D22/113**

(58) **Field of Classification Search**  
USPC ..... D22/100–111, 115–116, 119–120, 199;  
D21/300, 301, 573–575  
CPC . F41G 1/02; F41G 1/027; F41G 1/033; F41G  
1/06; F41G 3/26; F41C 23/10; F41C  
23/16; F41J 1/00  
See application file for complete search history.

(56) **References Cited**

**U.S. PATENT DOCUMENTS**

1,205,944	A	5/1912	Elliott	
3,088,738	A	5/1963	Meyer	
4,249,743	A	2/1981	Lee	
4,913,389	A	4/1990	McCracken	
5,067,683	A	11/1991	Wager	
D329,665	S *	9/1992	Carroll	D21/306
5,240,258	A *	8/1993	Bateman	F41J 7/04 273/392
D343,585	S *	1/1994	Strong	D10/109.1
5,280,920	A	1/1994	Knapper	
5,433,451	A *	7/1995	De Vries	F41J 7/04 273/392

(Continued)

**OTHER PUBLICATIONS**

“Holdover Target Systems” [online]. Facebook.com. [Published on Sep. 27, 2018]. Retrieved from the Internet: [https://www.facebook.com/HoldoverTargetSystems/photos/pb.266690780623276.-2207520000.1559740797./270480596910961/?type=3&theater.\\*](https://www.facebook.com/HoldoverTargetSystems/photos/pb.266690780623276.-2207520000.1559740797./270480596910961/?type=3&theater.*)

(Continued)

*Primary Examiner* — Khawaja Anwar

*Assistant Examiner* — Mojtaba Tehrani

(74) *Attorney, Agent, or Firm* — Antoinette M. Tease

(57) **CLAIM**

The ornamental design for a two-piece firearms target, as shown and described.

**DESCRIPTION**

FIG. 1 is a perspective view of a two-piece firearms target showing the new design with the target in an installed position.

FIG. 2 is a front view of a two-piece firearms target showing the new design with the target in an installed position.

FIG. 3 is a bottom view of a two-piece firearms target showing the new design with the target in an installed position.

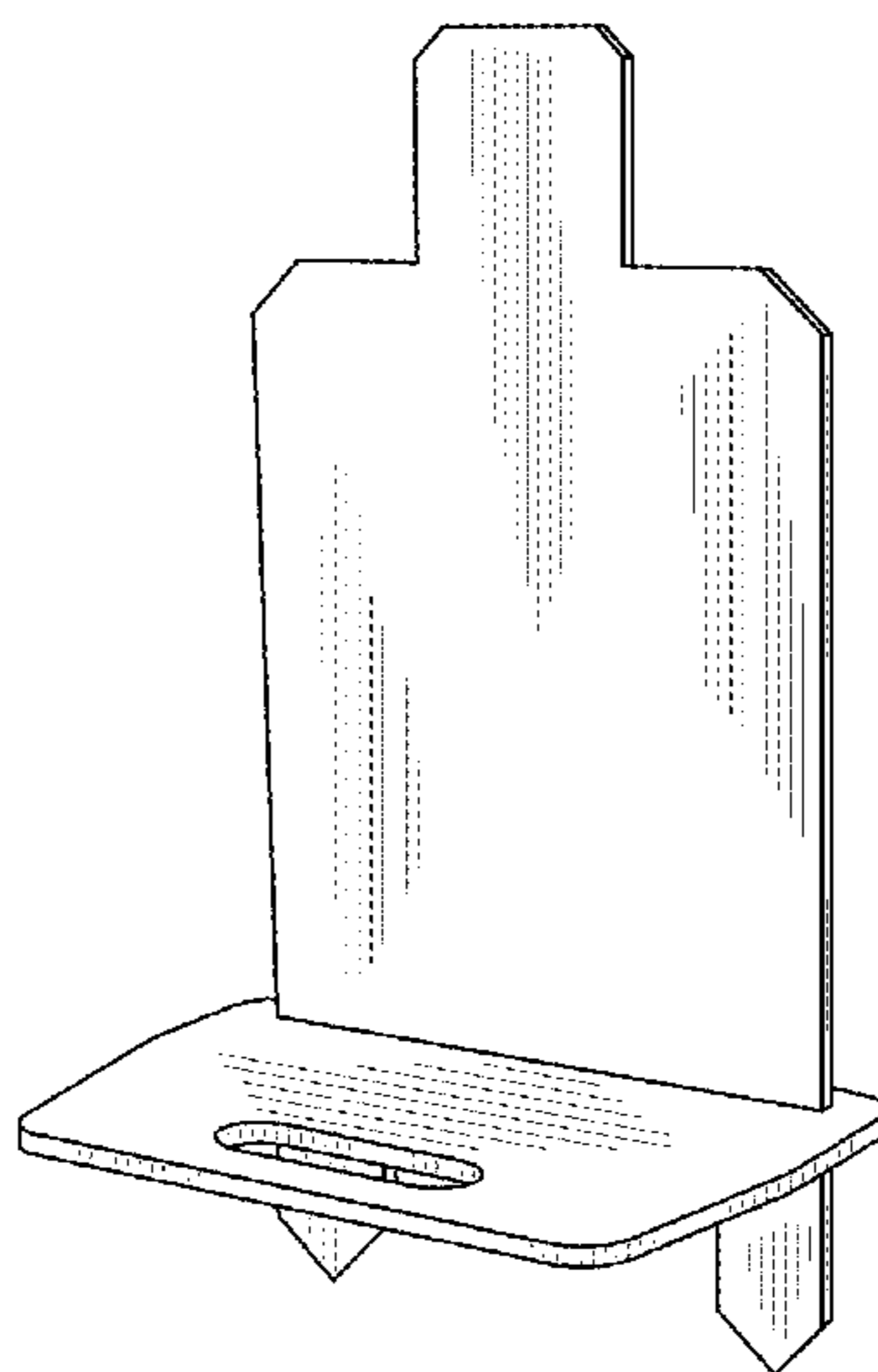
FIG. 4 is a first side view of a two-piece firearms target showing the new design with the target in an installed position.

FIG. 5 is a rear view of a two-piece firearms target showing the new design with the target in an installed position.

FIG. 6 is a second side view of a two-piece firearms target showing the new design with the target in an installed position.

FIG. 7 is a top view of a two-piece firearms target showing the new design with the target in an installed position; and, FIG. 8 is a plan view of a two-piece firearms target showing the new design with the target in an uninstalled position with the two pieces separated from one another.

**1 Claim, 3 Drawing Sheets**



(56)

References Cited

U.S. PATENT DOCUMENTS

5,695,196 A \* 12/1997 Yanosky ..... F41J 7/04  
 273/392  
 D453,038 S \* 1/2002 Scott ..... D22/113  
 D464,703 S 10/2002 McIntosh  
 6,581,895 B1 \* 6/2003 Pleasant ..... A47F 5/112  
 248/166  
 D566,387 S \* 4/2008 Seaborn ..... D3/254  
 7,644,927 B2 1/2010 Law  
 D624,985 S \* 10/2010 Kreiman ..... D22/113  
 8,684,361 B2 \* 4/2014 Henson ..... F41J 1/01  
 273/389  
 D712,003 S \* 8/2014 Bailey ..... D22/113  
 D746,938 S \* 1/2016 Thomson ..... D22/113  
 D752,173 S \* 3/2016 Linder ..... D22/113  
 D764,623 S \* 8/2016 Swift ..... D22/113  
 9,714,816 B2 7/2017 Temple  
 9,784,538 B2 \* 10/2017 Sovine ..... F41J 1/10  
 D815,240 S 4/2018 Holmberg et al.  
 D841,759 S \* 2/2019 Thompson ..... D22/113  
 2006/0220318 A1 10/2006 Law  
 2011/0154703 A1 \* 6/2011 Petrovic ..... A47B 91/00  
 40/606.13  
 2012/0274922 A1 \* 11/2012 Hodge ..... F41J 5/02  
 356/28

2013/0106059 A1 \* 5/2013 Larue ..... F41J 1/10  
 273/407  
 2013/0119610 A1 \* 5/2013 Legary ..... F41J 5/056  
 273/348  
 2015/0276356 A1 \* 10/2015 Cesternino ..... F41J 9/02  
 273/370  
 2015/0330747 A1 11/2015 Ferrell  
 2016/0202026 A1 \* 7/2016 Temple ..... F41J 1/10  
 273/406  
 2016/0209182 A1 7/2016 Sovine et al.  
 2017/0321997 A1 11/2017 Farda

OTHER PUBLICATIONS

“High Caliber AR500 Steel ½” Thick Targets—for Precision Practice” [online]. High Caliber. [Retrieved on Jun. 5, 2019]. Retrieved from the Internet: <https://www.amazon.com/High-Caliber-AR500-Steel-Targets/dp/B079SW1VF5/>.  
 “1st page of search result for Targets & Chronographs” [online]. cabelas.com. [Retrieved on Jun. 5, 2019]. Retrieved from the Internet: [https://www.cabelas.com/category/Targets-Chronographs/104625180.uts.\\*](https://www.cabelas.com/category/Targets-Chronographs/104625180.uts.*)  
 “Steel Shooting Targets ¾” AR500 Hardened 7×12 IDPA w/Metal Ground Range Stand” [online]. Steel Shooting Targets. [ Retrieved on Jun. 5, 2019]. Retrieved from the Internet: [https://www.amazon.com/Steel-Shooting-Targets-Hardened-Ground/dp/B0779LJW3F.\\*](https://www.amazon.com/Steel-Shooting-Targets-Hardened-Ground/dp/B0779LJW3F.*)

\* cited by examiner

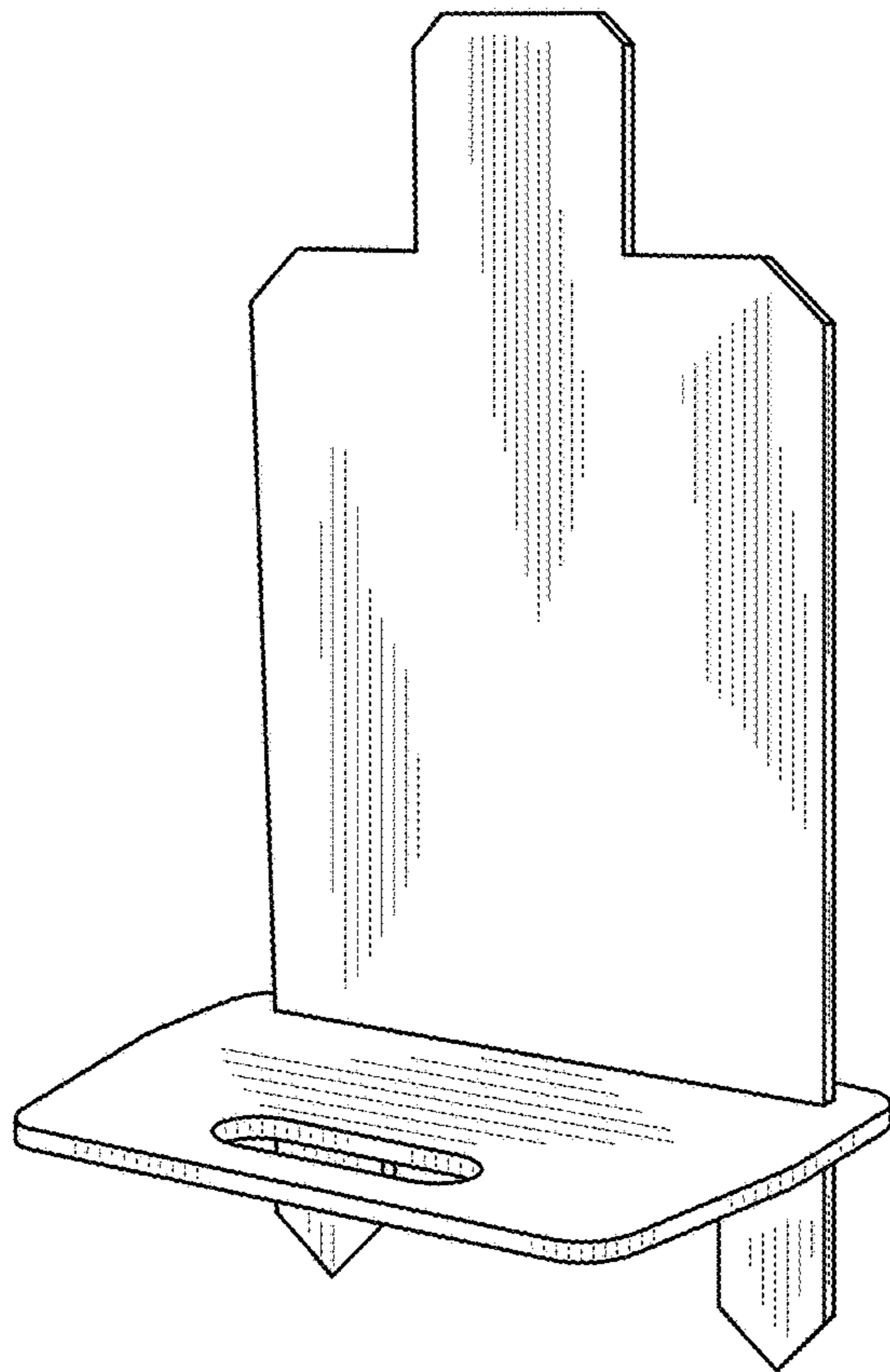


FIG. 1

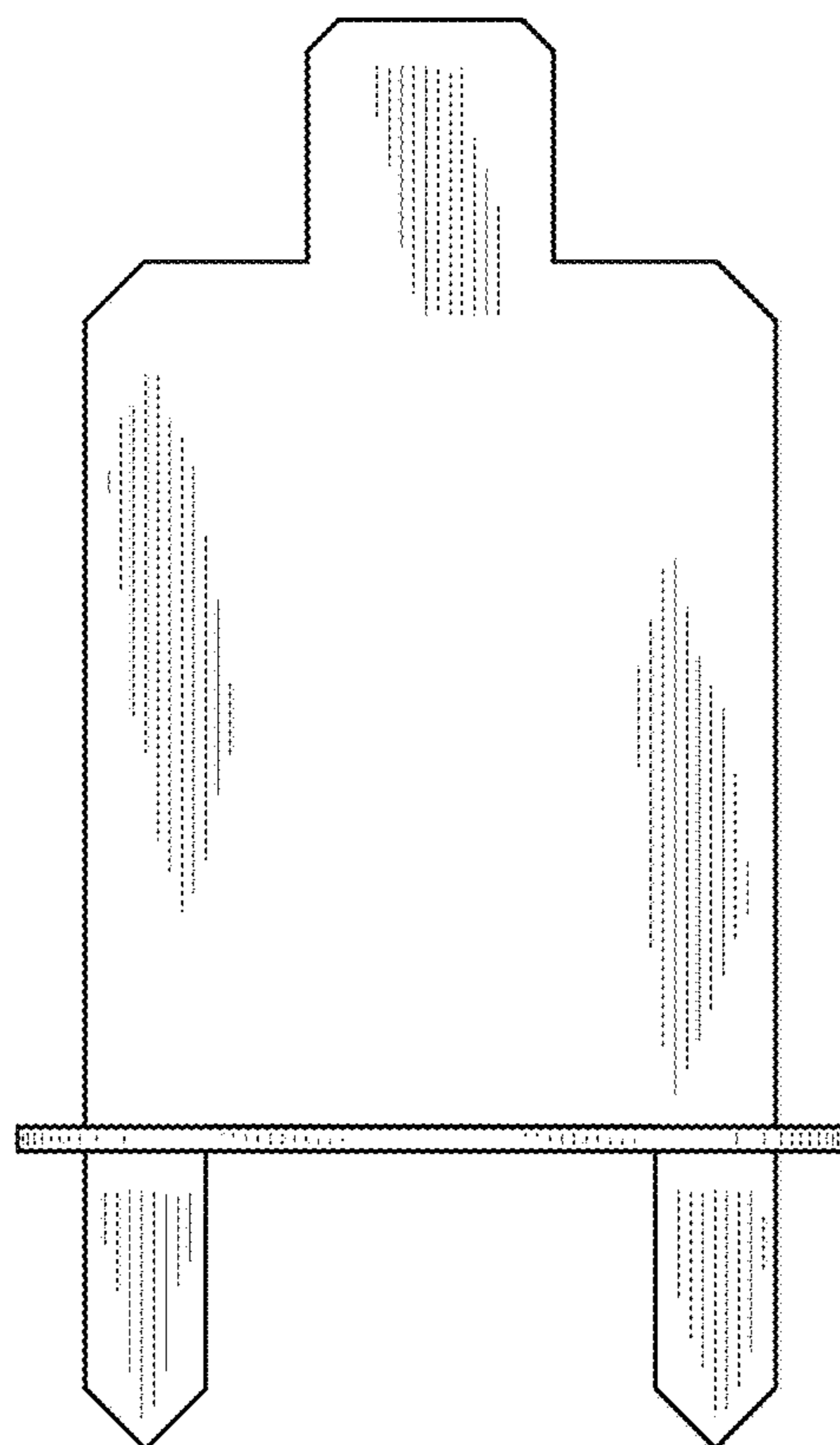


FIG. 2

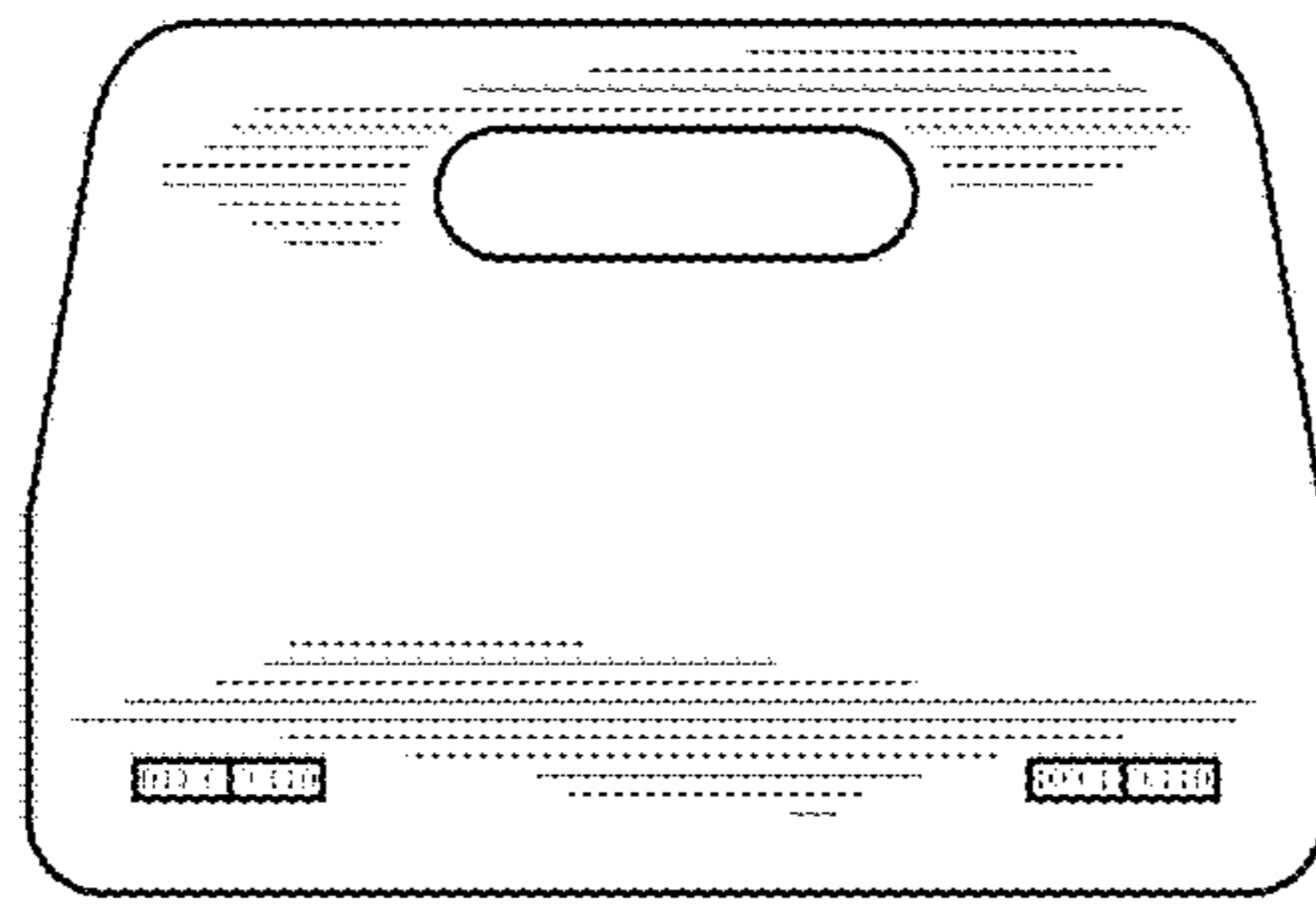


FIG. 3

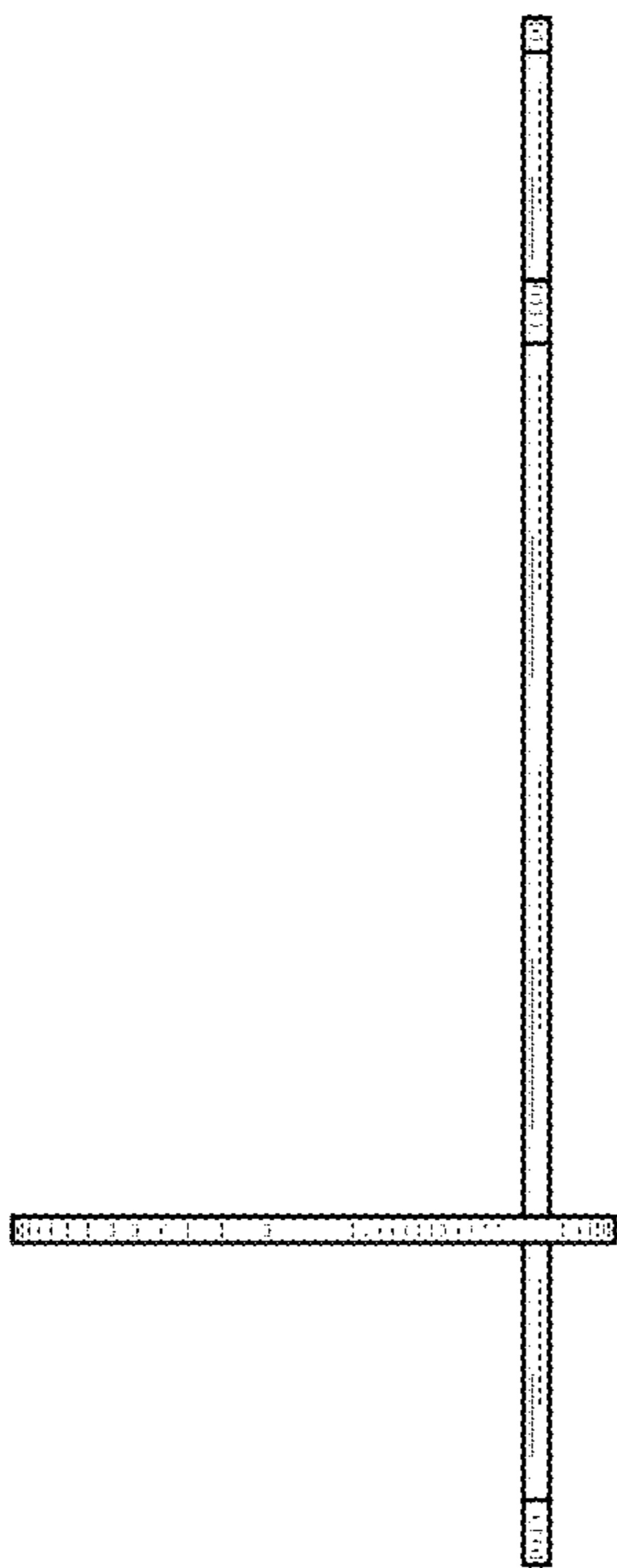


FIG. 4

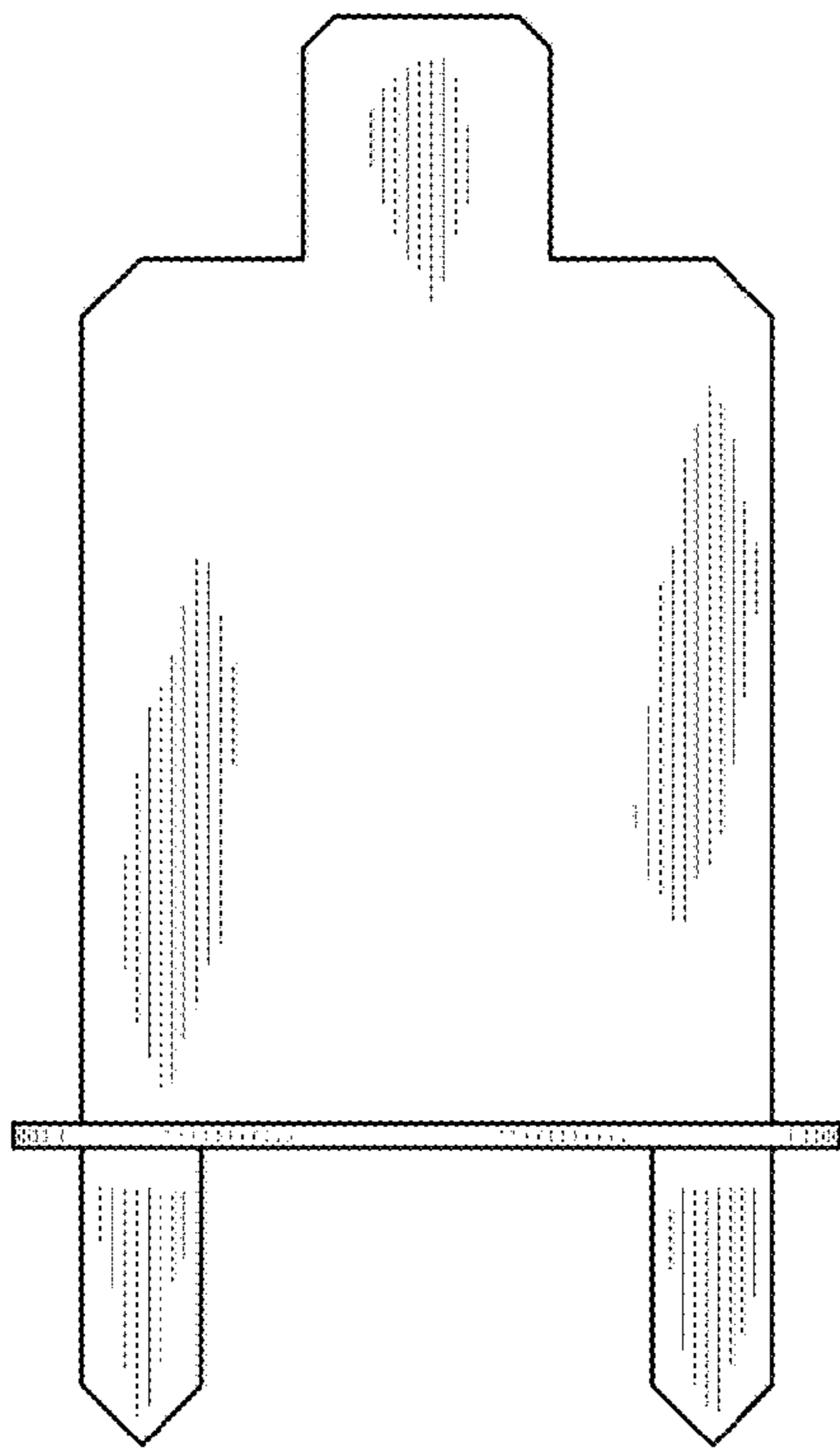


FIG. 5

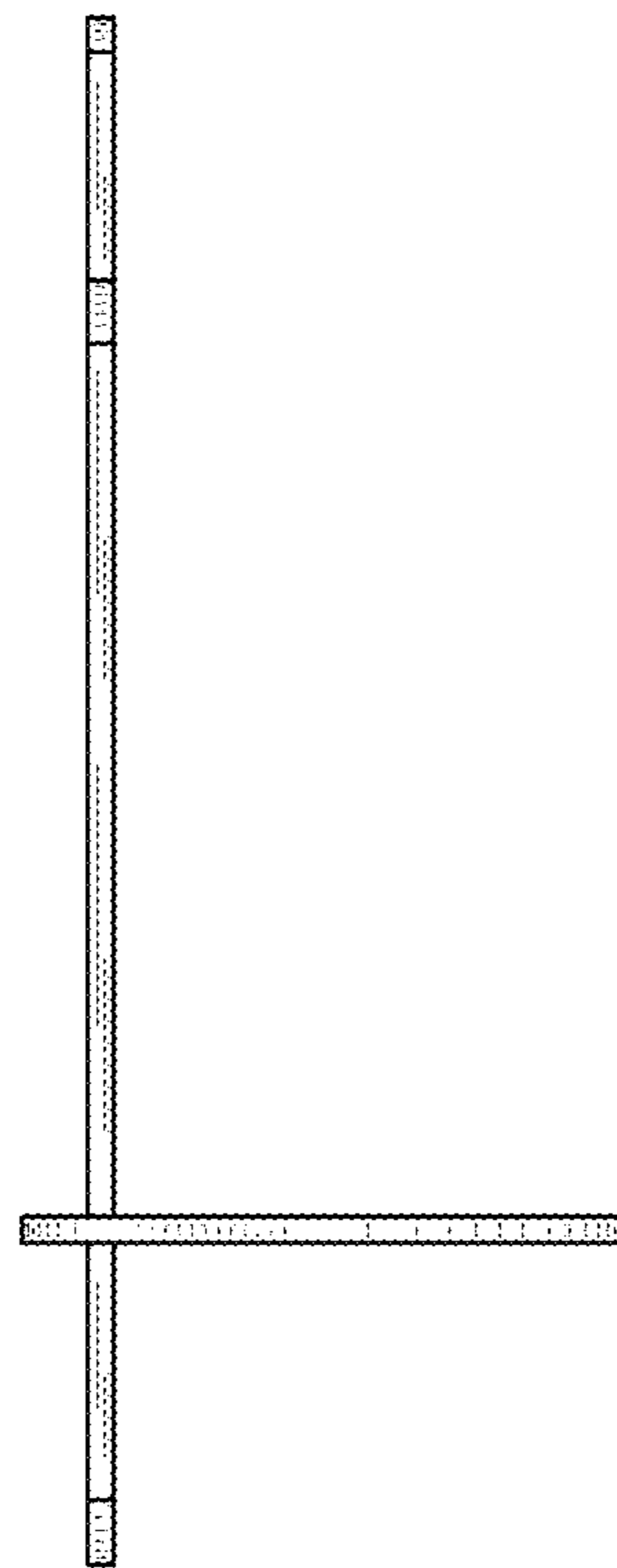


FIG. 6

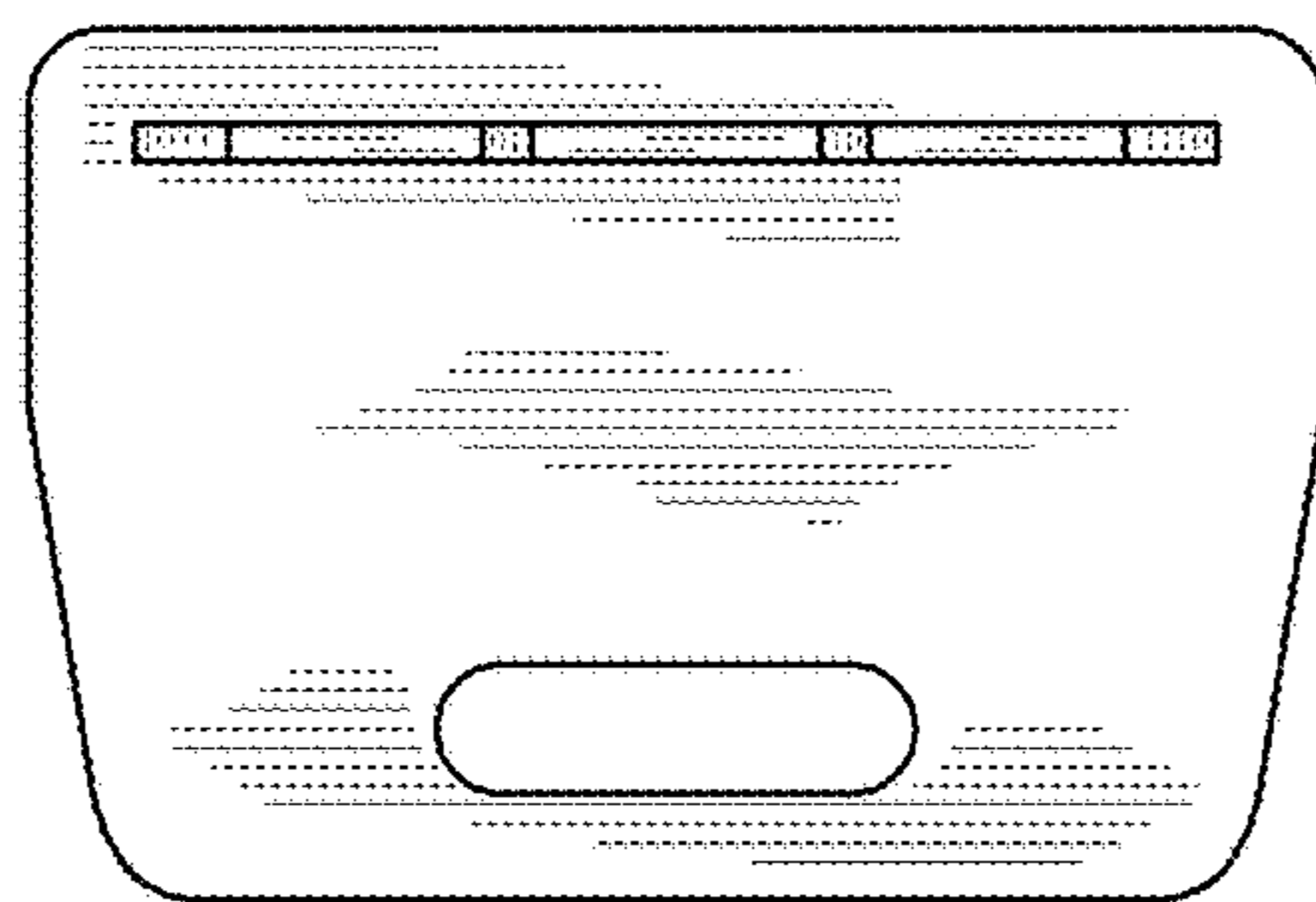


FIG. 7



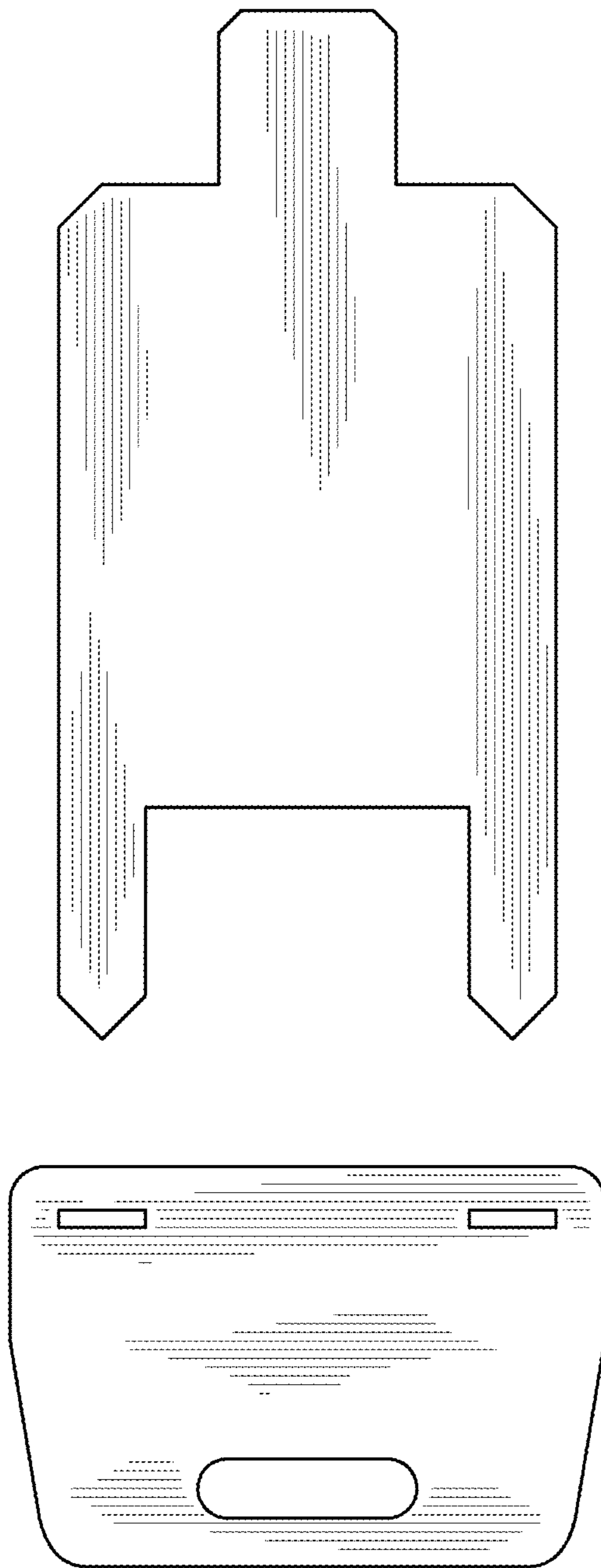


FIG. 8