



US00D860374S

(12) **United States Design Patent**
Smith et al.

(10) **Patent No.:** **US D860,374 S**

(45) **Date of Patent:** **** Sep. 17, 2019**

(54) **BACKUP GUNSIGHT**

(71) Applicant: **Vista Outdoor Operations LLC**,
Anoka, MN (US)

(72) Inventors: **Paul N. Smith**, Bozeman, MT (US);
Robert J. Meinert, Andover, MN (US);
Troy E. Lance, Livingston, MT (US);
Christopher D. Laack, Minneapolis,
MN (US)

(73) Assignee: **Vista Outdoor Operations LLC**,
Anoka, MN (US)

(**) Term: **15 Years**

(21) Appl. No.: **29/621,219**

(22) Filed: **Oct. 5, 2017**

(51) **LOC (12) Cl.** **22-01**

(52) **U.S. Cl.**
USPC **D22/109**

(58) **Field of Classification Search**
USPC D22/109
CPC . F41G 11/003; F41G 1/00; F41G 1/16; F41G
1/345

See application file for complete search history.

(56) **References Cited**

U.S. PATENT DOCUMENTS

5,533,292	A	7/1996	Swan	
6,732,467	B1	5/2004	Luth	
6,779,290	B1 *	8/2004	Houtsma F41G 1/08 42/111
D507,620	S	7/2005	Swan	
D526,380	S *	8/2006	Swan D22/109
D548,811	S	8/2007	Swan	
D556,290	S	11/2007	Swan	
D586,875	S	2/2009	Swan	
D588,228	S	3/2009	Swan	

D588,672	S	3/2009	Swan	
D594,083	S *	6/2009	Mayberry D22/109
D594,084	S	6/2009	Mayberry et al.	
D600,311	S	9/2009	Swan	
D600,312	S	9/2009	Swan	
D602,556	S	10/2009	Swan	
D604,794	S	11/2009	Bentley	
D614,723	S	4/2010	Bentley	
D615,144	S *	5/2010	Mayberry D22/109
D631,124	S	1/2011	Ballard	
D635,634	S	4/2011	Swan	
D637,259	S	5/2011	Swan	
D637,260	S	5/2011	Swan	
D637,261	S	5/2011	Swan	
8,015,744	B1	9/2011	Swan	
D648,413	S *	11/2011	Mayberry D22/109
D657,013	S	4/2012	Swan	
D666,689	S	9/2012	Swan	
8,484,882	B2	7/2013	Haley et al.	
D687,915	S *	8/2013	Adcock, Jr. D22/109

(Continued)

Primary Examiner — Michael A. Pratt

(74) *Attorney, Agent, or Firm* — Christensen, Fonder,
Dardi & Herbert PLLC

(57) **CLAIM**

We claim the ornamental design for a backup gunsight, as shown and described.

DESCRIPTION

FIG. 1 is a front, right, top perspective view of the backup gunsight.

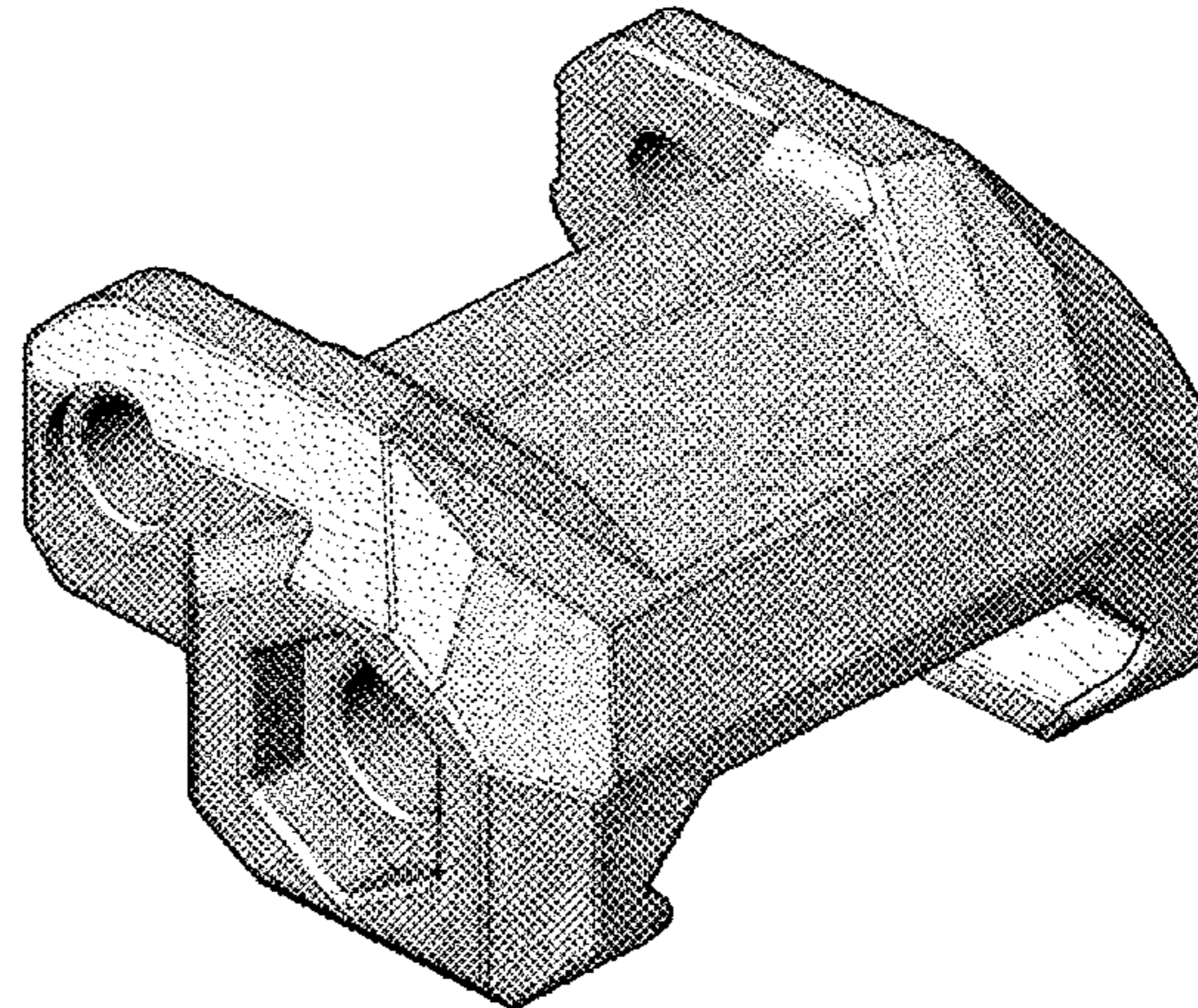
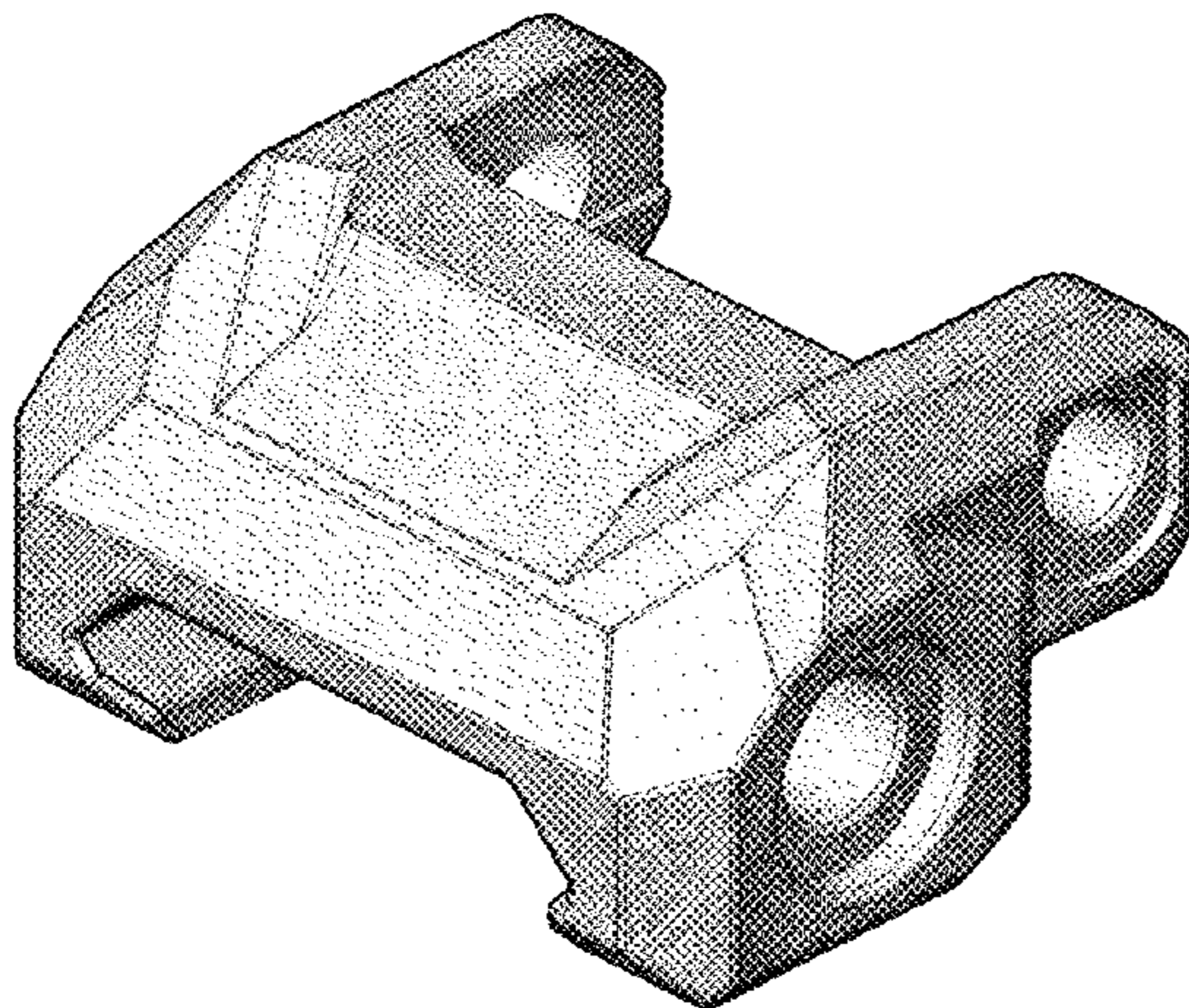
FIG. 2 is a front, left, top perspective view of the backup gunsight of FIG. 1.

FIG. 3 is a rear, right, top perspective view of the backup gunsight of FIG. 1; and,

FIG. 4 is a rear, left, top perspective view of the backup gunsight of FIG. 1.

The bottom appearance of the backup gunsight is not shown in the drawing and forms no part of the claimed design.

1 Claim, 4 Drawing Sheets



(56)

References Cited

U.S. PATENT DOCUMENTS

D692,088 S 10/2013 Swan
D697,576 S 1/2014 Swan et al.
D705,890 S 5/2014 Fitzpatrick et al.
D724,691 S 3/2015 Barfoot et al.
D728,727 S 5/2015 Barfoot et al.
D728,728 S 5/2015 Barfoot et al.
D733,250 S * 6/2015 Hu D22/109
D733,251 S * 6/2015 Hu D22/109
D736,338 S * 8/2015 Fitzpatrick D22/109
D736,339 S 8/2015 Fitzpatrick et al.
9,285,186 B1 3/2016 Di Veroli et al.
9,733,045 B1 8/2017 Bozek
9,835,411 B2 12/2017 Larson, Jr. et al.
D813,973 S * 3/2018 McKillips D22/109
D820,921 S * 6/2018 Chu D21/573
10,222,179 B2 * 3/2019 Smith F41G 11/003
2011/0247257 A1 10/2011 Hopkins et al.
2011/0308132 A1 12/2011 Hewes
2011/0308133 A1 12/2011 Nemec
2016/0102941 A1 4/2016 Brucker et al.
2017/0350674 A1 12/2017 Odle et al.

* cited by examiner

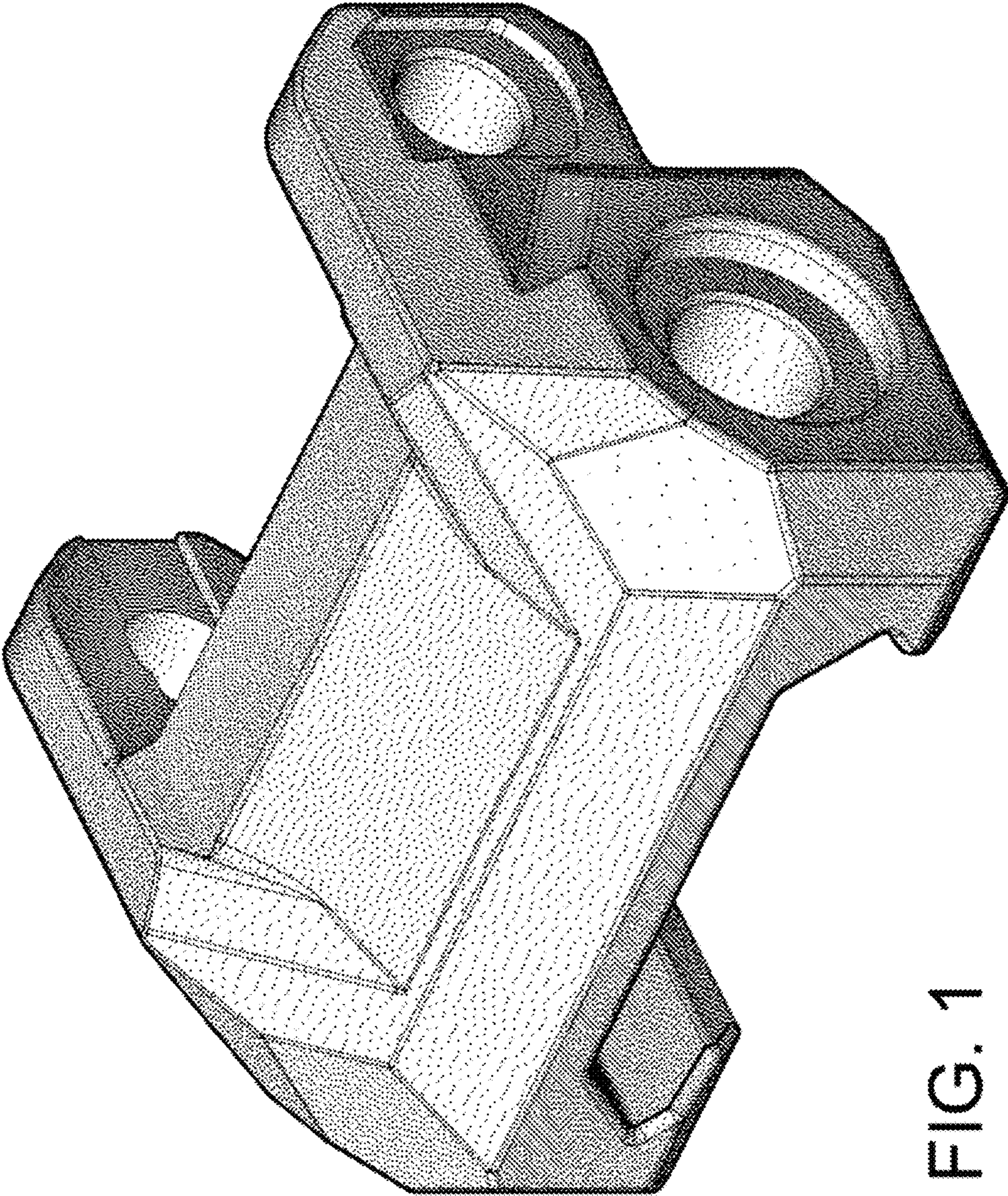


FIG. 1

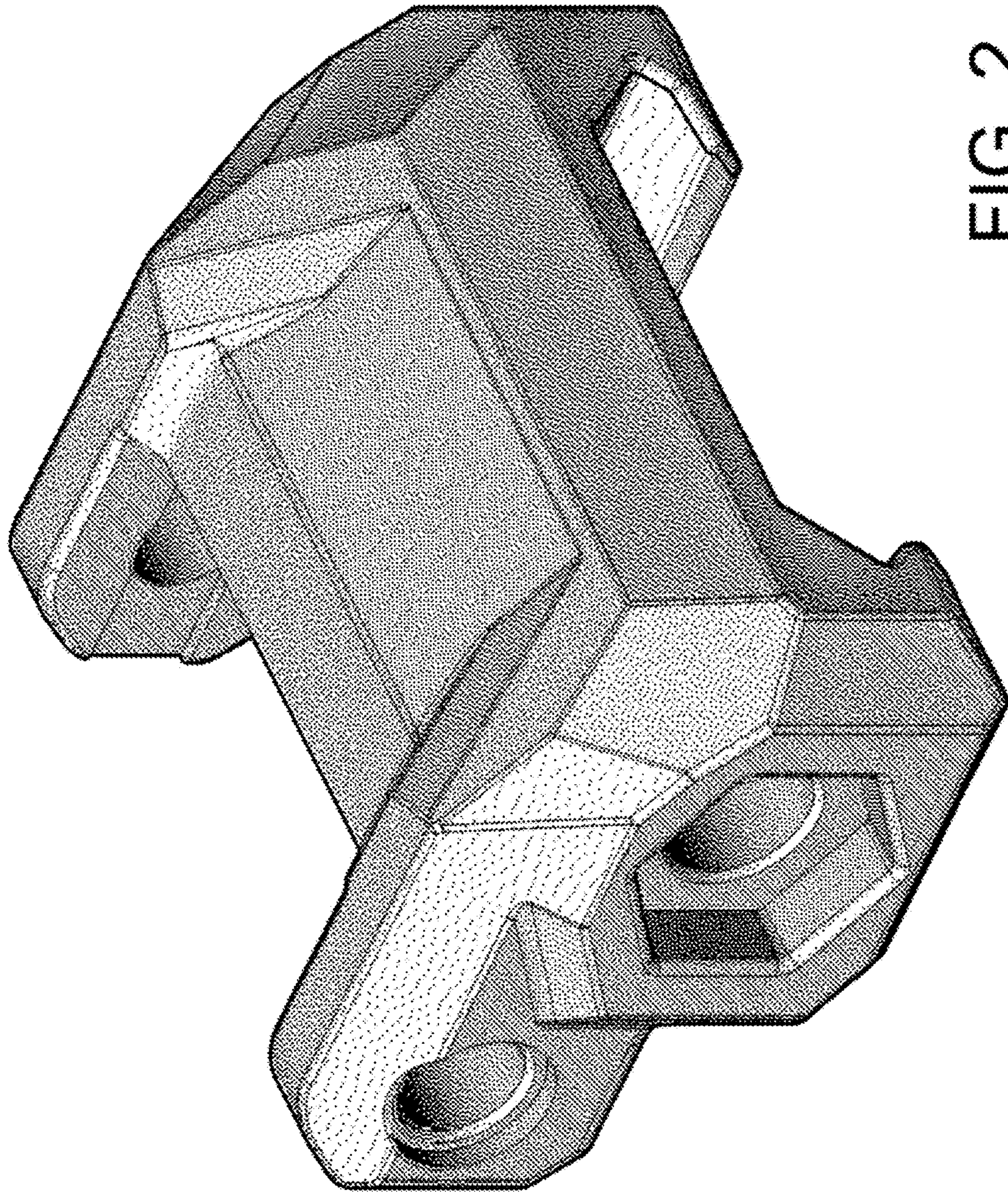


FIG. 2

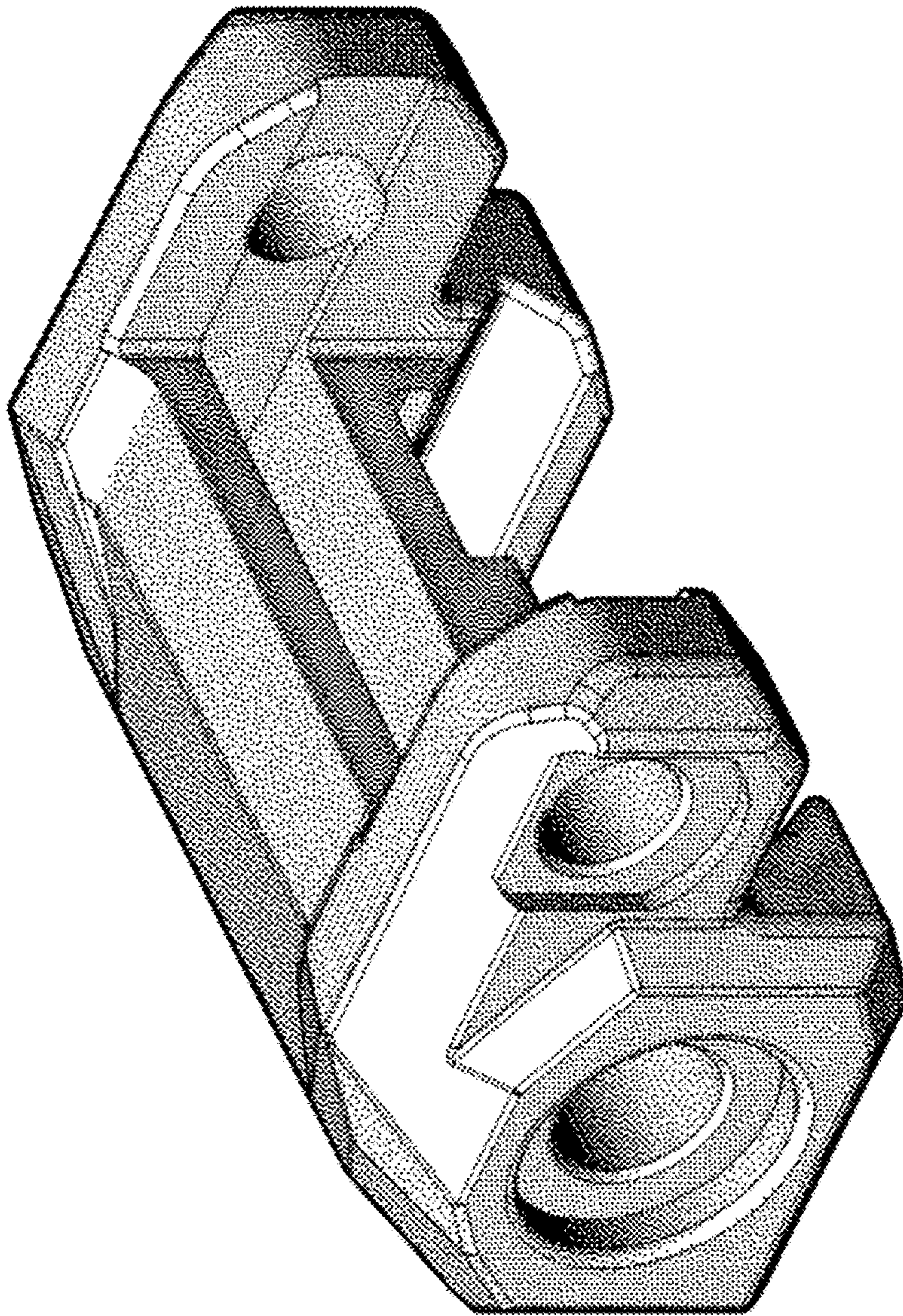


FIG. 3

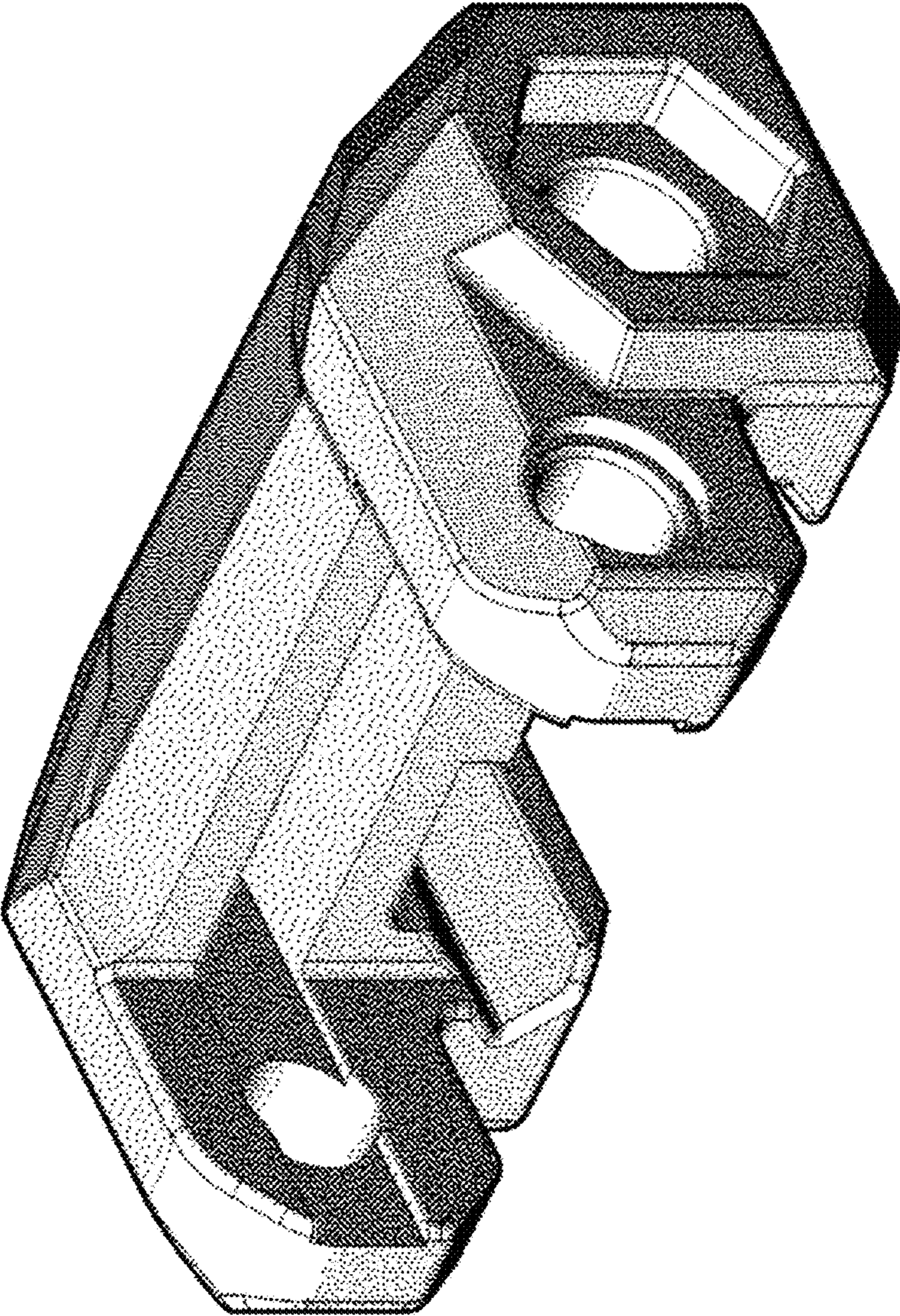


FIG. 4