

US00D860373S

(12) **United States Design Patent**  
**Willits**

(10) **Patent No.:** **US D860,373 S**

(45) **Date of Patent:** **\*\* Sep. 17, 2019**

(54) **LOWER RECEIVER CUT-OUTS**

(71) Applicant: **F-1 Research, LLC—Patent Series,**  
Spring, TX (US)

(72) Inventor: **Craig Larue Willits,** Spring, TX (US)

(73) Assignee: **F-1 Research, LLC—Patent Series,**  
Spring, TX (US)

(\*\*) Term: **15 Years**

(21) Appl. No.: **29/644,787**

(22) Filed: **Apr. 20, 2018**

(51) **LOC (12) Cl.** ..... **22-01**

(52) **U.S. Cl.**  
USPC ..... **D22/108**

(58) **Field of Classification Search**  
USPC ..... D22/100, 101, 102, 103, 104, 105, 106,  
D22/107, 108, 109, 110, 111, 199;  
D21/571, 573, 574, 575, 746  
CPC ..... F41C 23/14; F41C 23/20; F41C 23/04;  
F41C 23/00; F41C 23/10; F41C 27/00;  
F41C 7/00; F41C 23/06; F41C 3/00;  
F41B 5/10; F41B 5/14; F41B 5/0094;  
F41B 5/1469; F41B 5/00

See application file for complete search history.

(56) **References Cited**

**U.S. PATENT DOCUMENTS**

D689,974 S *	9/2013	Sharps	.....	D22/108
D726,862 S *	4/2015	Crume, Sr.	.....	D22/108
D746,936 S *	1/2016	Huang	.....	D22/108
D760,860 S *	7/2016	Vincent	.....	D22/108
D764,005 S *	8/2016	Neil	.....	D22/108
D765,211 S *	8/2016	Huang	.....	D22/108
D773,585 S *	12/2016	Miller, III	.....	D22/108
D795,379 S *	8/2017	Frederickson	.....	D22/108
D796,619 S *	9/2017	Morris	.....	D22/108
D826,362 S *	8/2018	Sharps	.....	D22/108

D833,563 S *	11/2018	Snively	.....	D22/108
D834,112 S *	11/2018	Chu	.....	D21/573
D835,225 S *	12/2018	Podgurny	.....	D22/108

**OTHER PUBLICATIONS**

“Building a Custom Rifle on a Budget.” [online]. webmaster.  
[Published on May 7, 2018]. Retrieved from the Internet: <<https://www.p3defense.com/2018/05/07/building-custom-rifle-on-a-budget/>>.\*

(Continued)

*Primary Examiner* — Khawaja Anwar

*Assistant Examiner* — Mojtaba Tehrani

(74) *Attorney, Agent, or Firm* — Dossey & Jones, PLLC;  
Phillip Black; James P. Dossey

(57) **CLAIM**

The ornamental design for a lower receiver cut-outs, as shown and described.

**DESCRIPTION**

FIG. 1 is a plan right-side, close up view of my design for lower receiver cut-outs for the magazine well of a lower receiver;

FIG. 2 is a plan left-side view thereof;

FIG. 3 is an isometric front view showing the right side thereof;

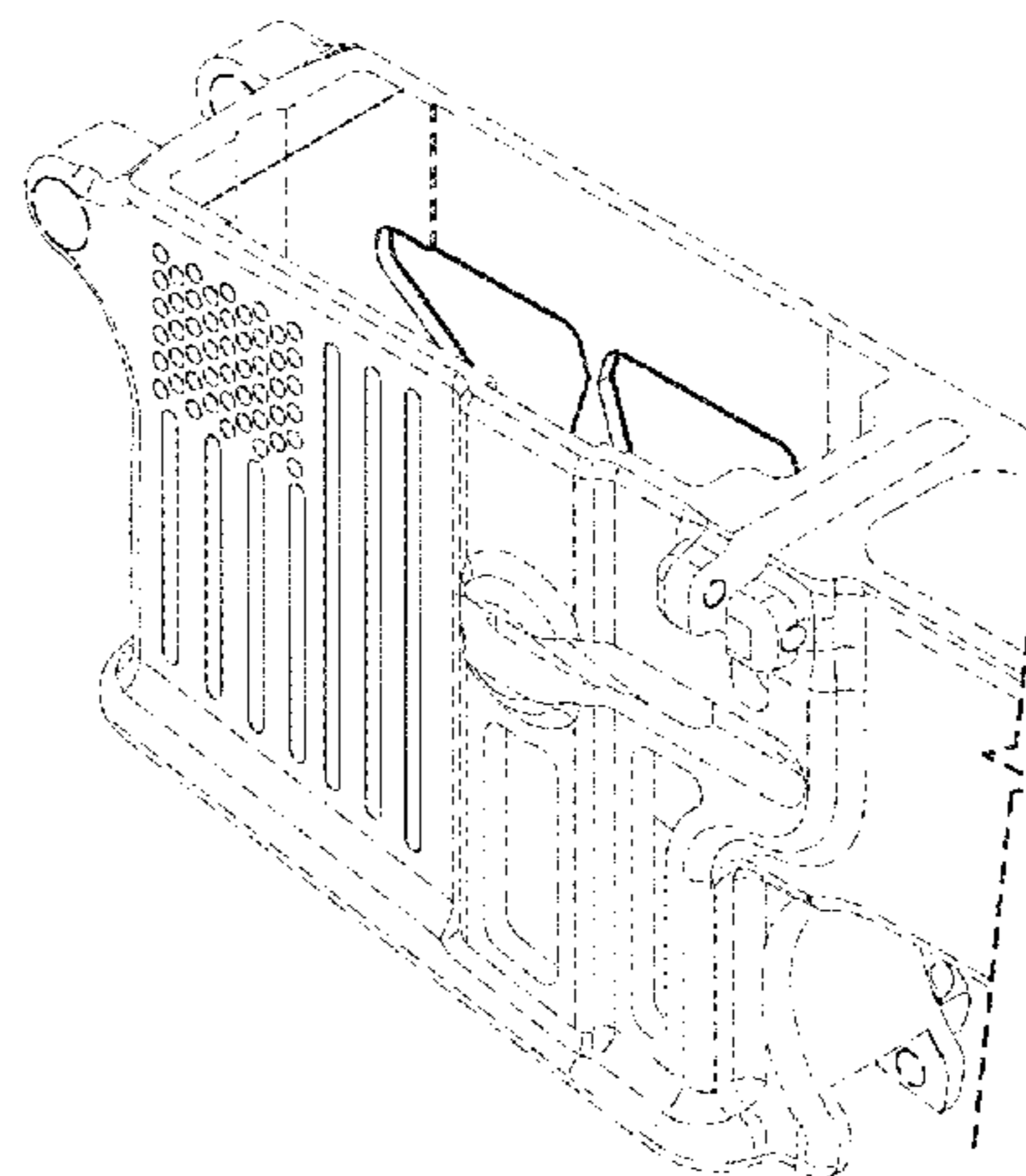
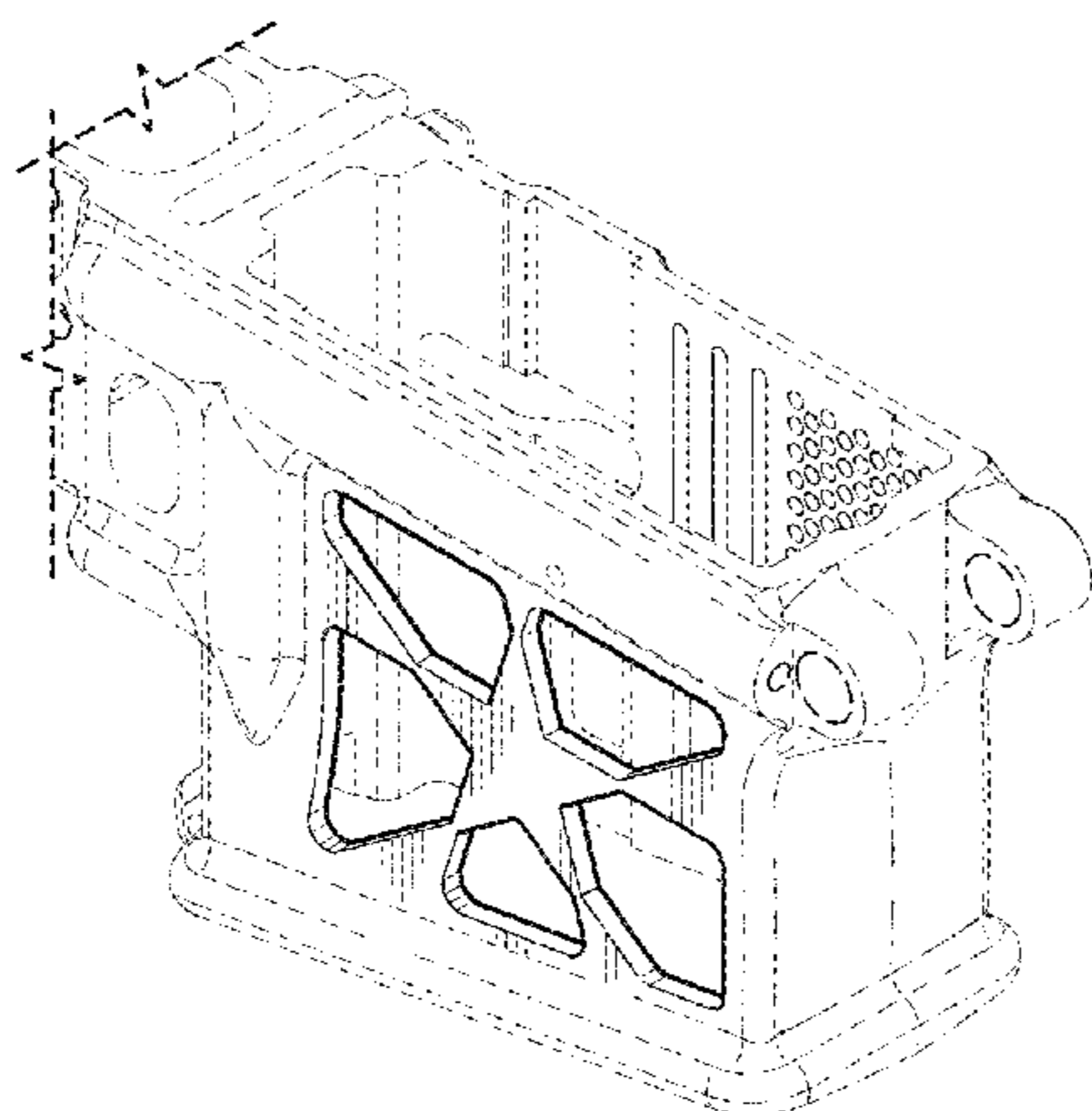
FIG. 4 is an isometric rear view showing the left side thereof; and

FIG. 5 is a plan right-side view thereof, showing the cut-outs in the context of an entire lower receiver; and,

FIG. 6 is a plan left-side view thereof, showing the cut-outs in the context of an entire lower receiver.

The surface shading is for purposes of illustrating the contour and appearance of the claimed surfaces upon which it is illustrated, but is not actually seen on the surface of the lower receiver. The broken lines are used to show unclaimed portions of the invention and form no part of the claimed design.

**1 Claim, 4 Drawing Sheets**



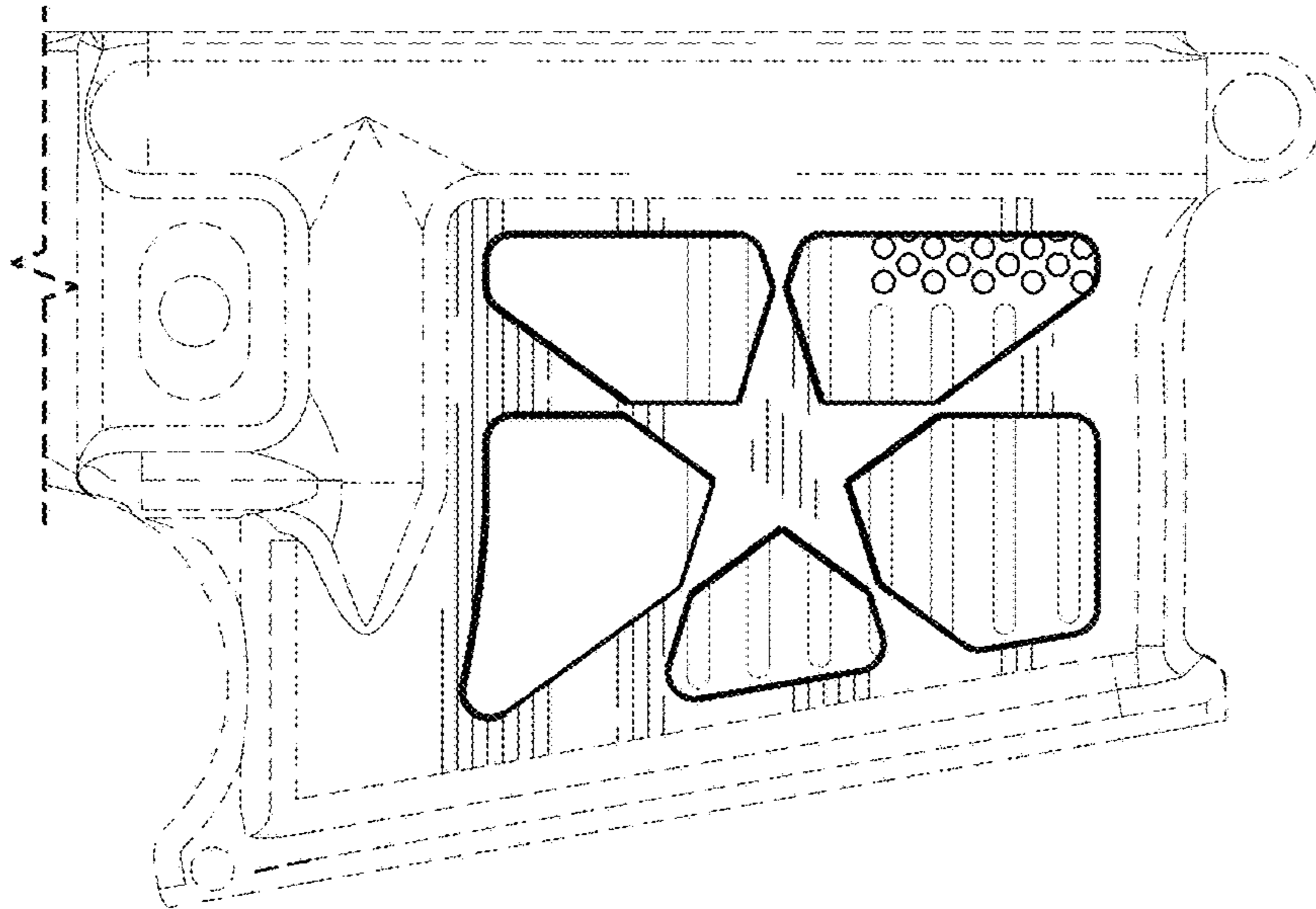
(56)

**References Cited**

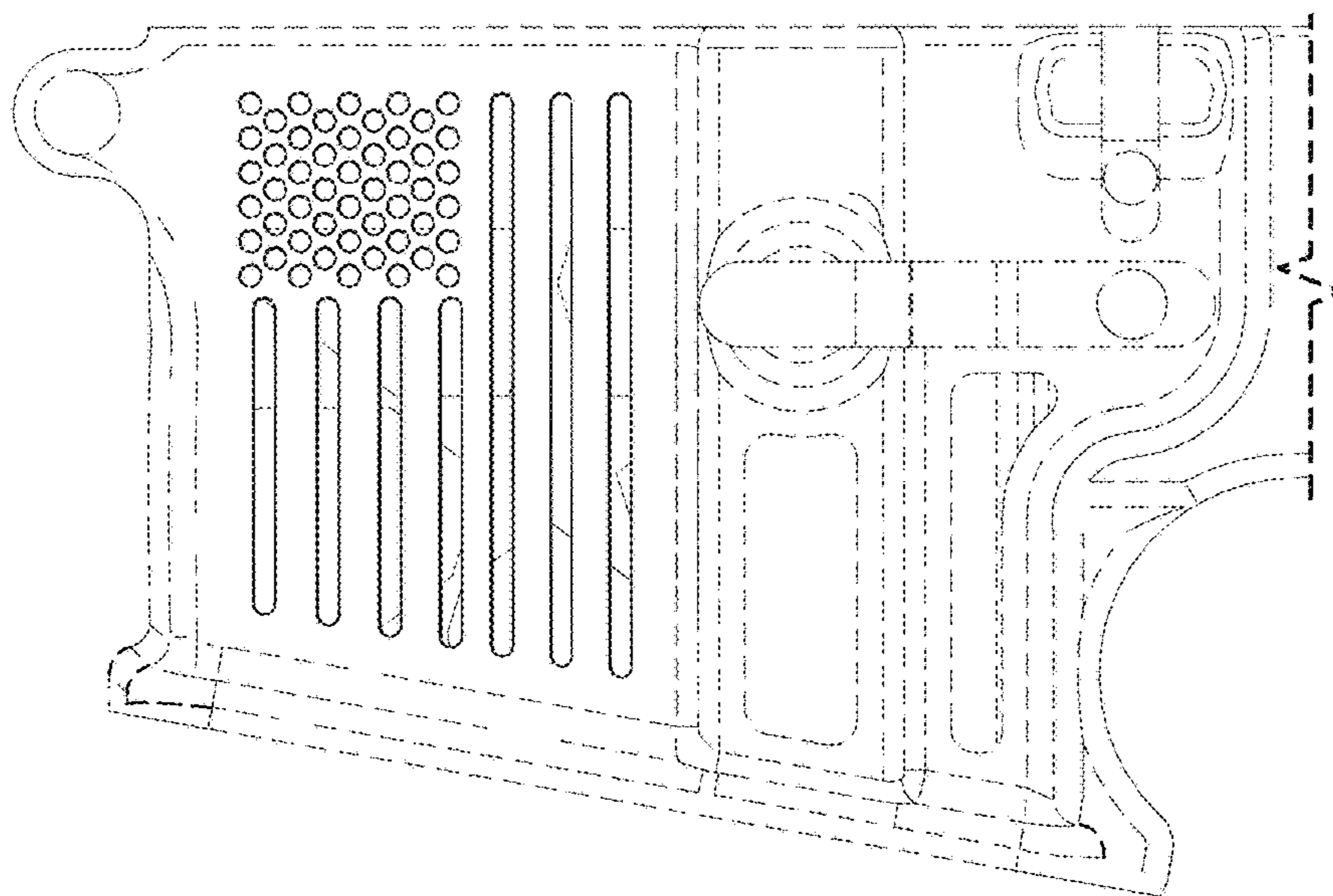
OTHER PUBLICATIONS

“RRG Forged AR-15 TX Cutaway Stripped Lower” [online]. runnerrunnerguns.com [Retrieved Feb. 6, 2019]. Retrieved from the Internet: <[https://www.runnerrunnerguns.com/Texas\\_Special\\_Cutaway\\_Magwell\\_p/fl-rrg-f-tx-cutaway-s.htm](https://www.runnerrunnerguns.com/Texas_Special_Cutaway_Magwell_p/fl-rrg-f-tx-cutaway-s.htm)>.\*

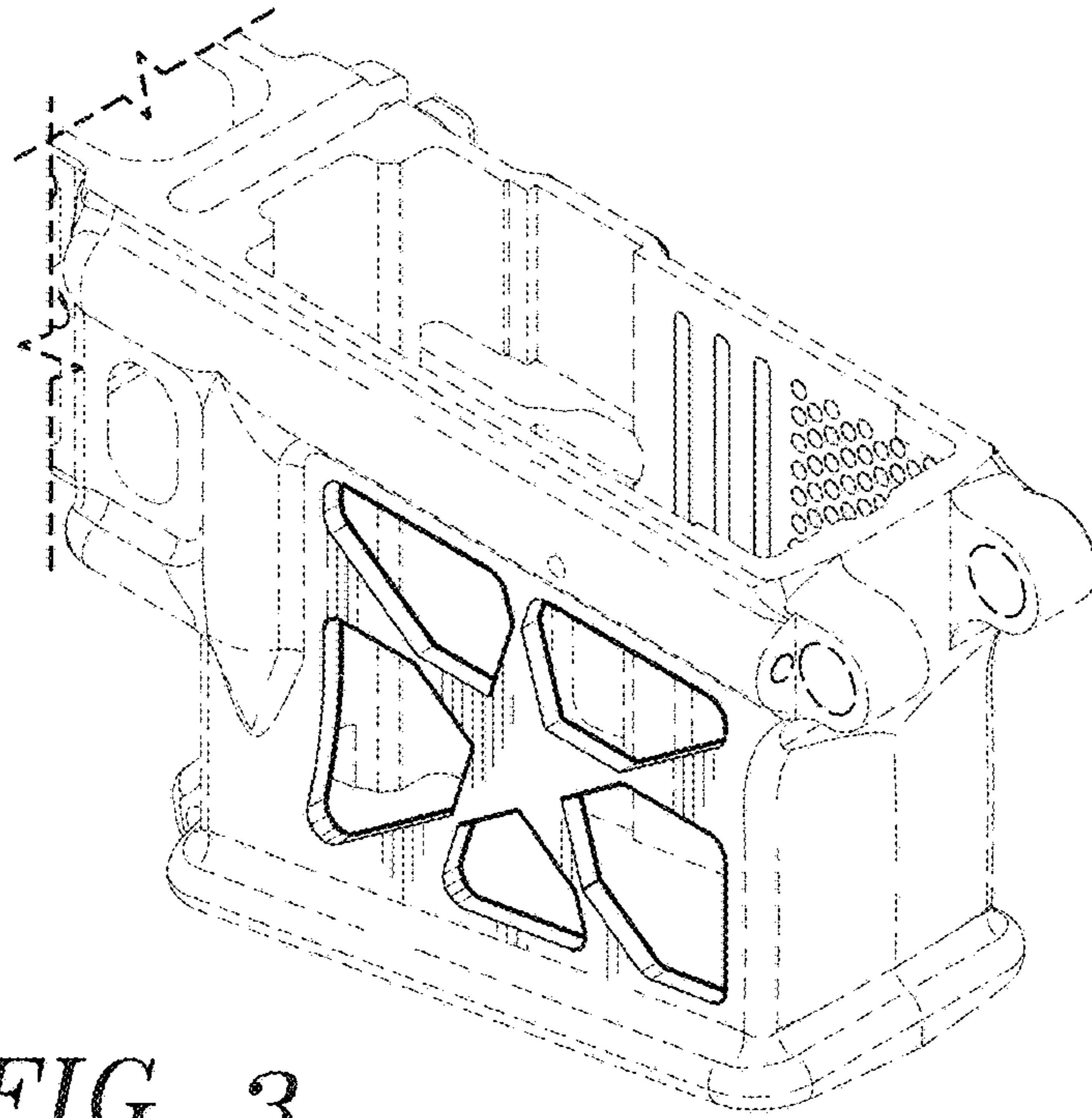
\* cited by examiner



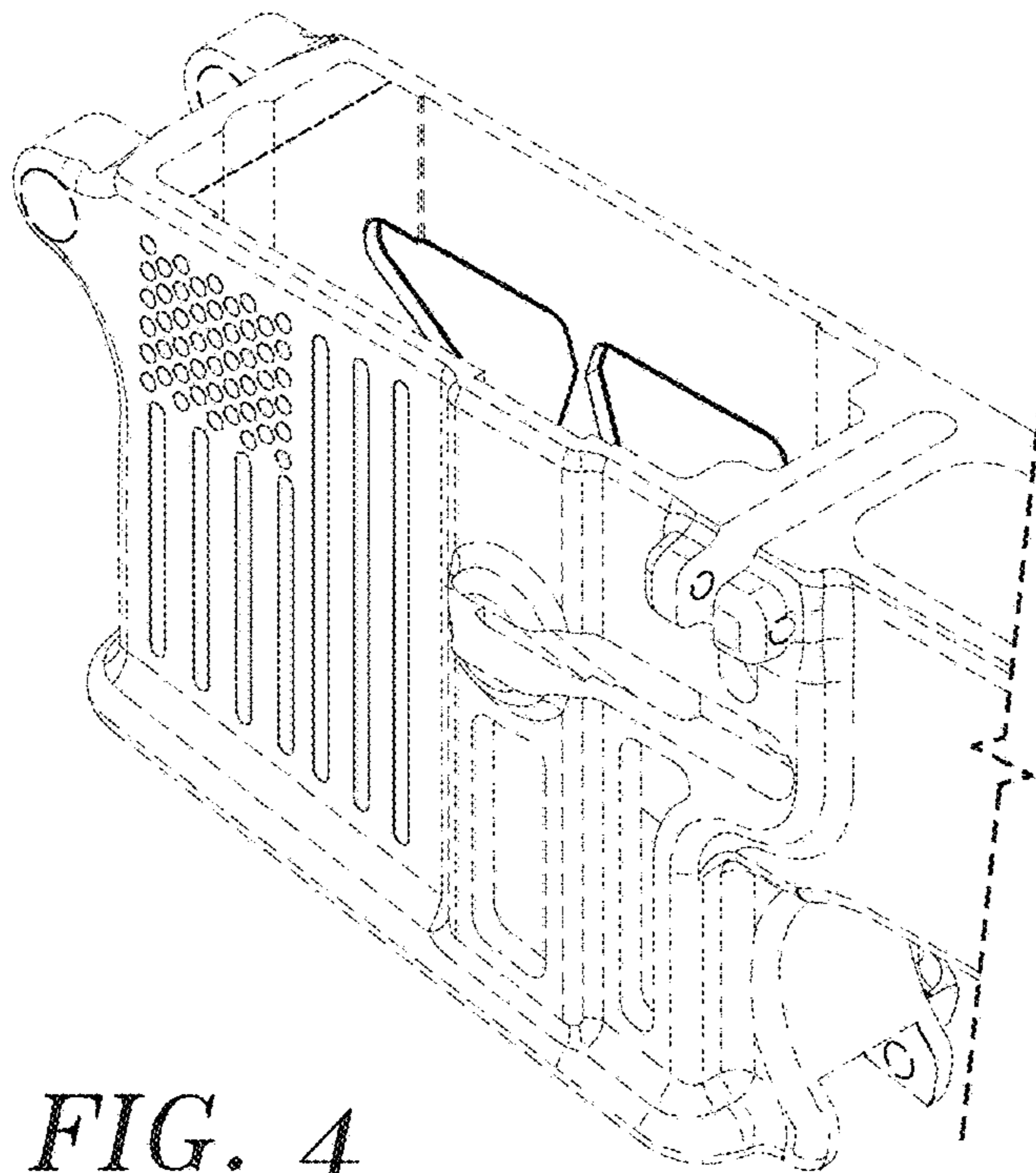
*FIG. 1*



*FIG. 2*



*FIG. 3*



*FIG. 4*

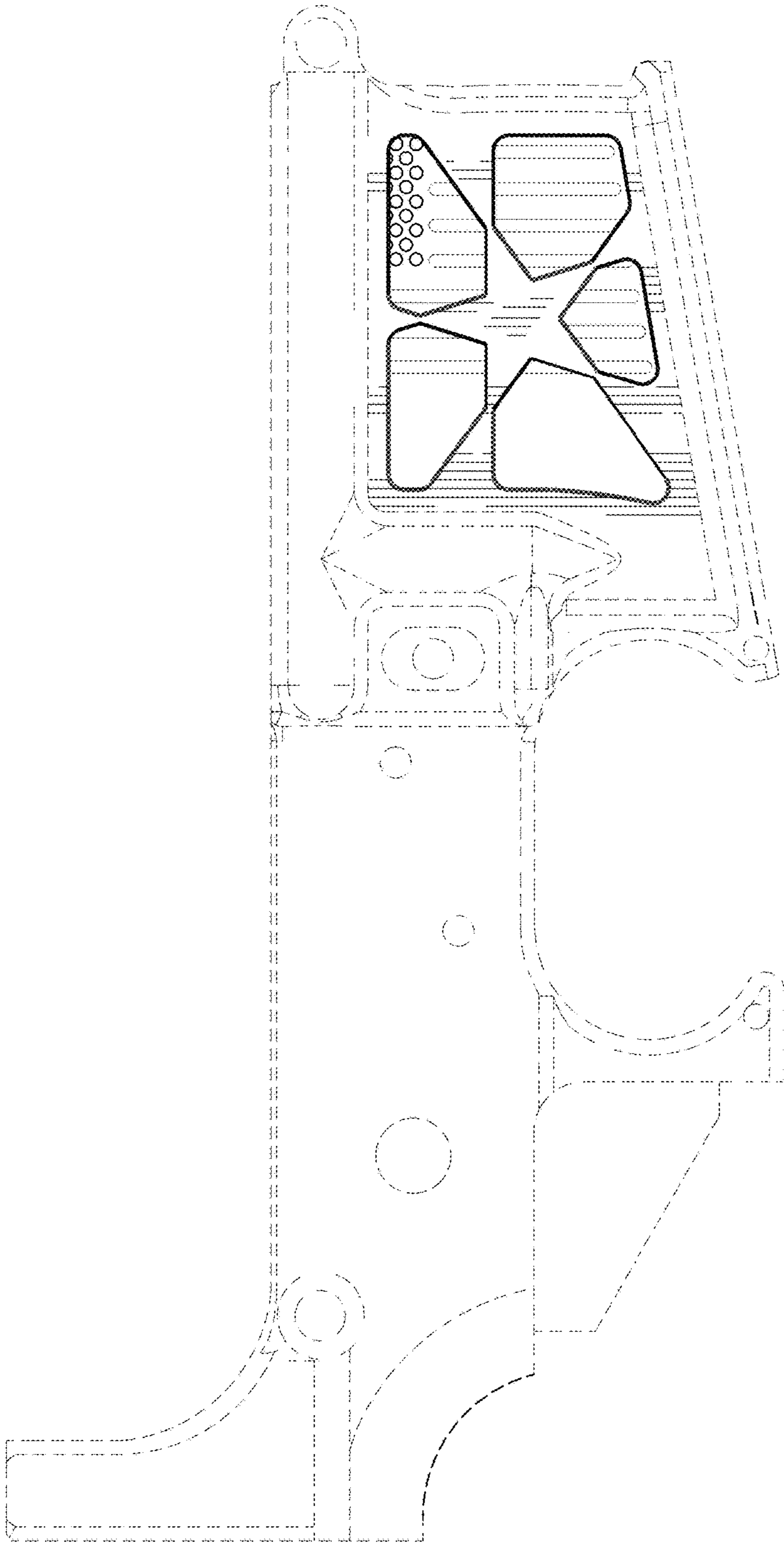


FIG. 5

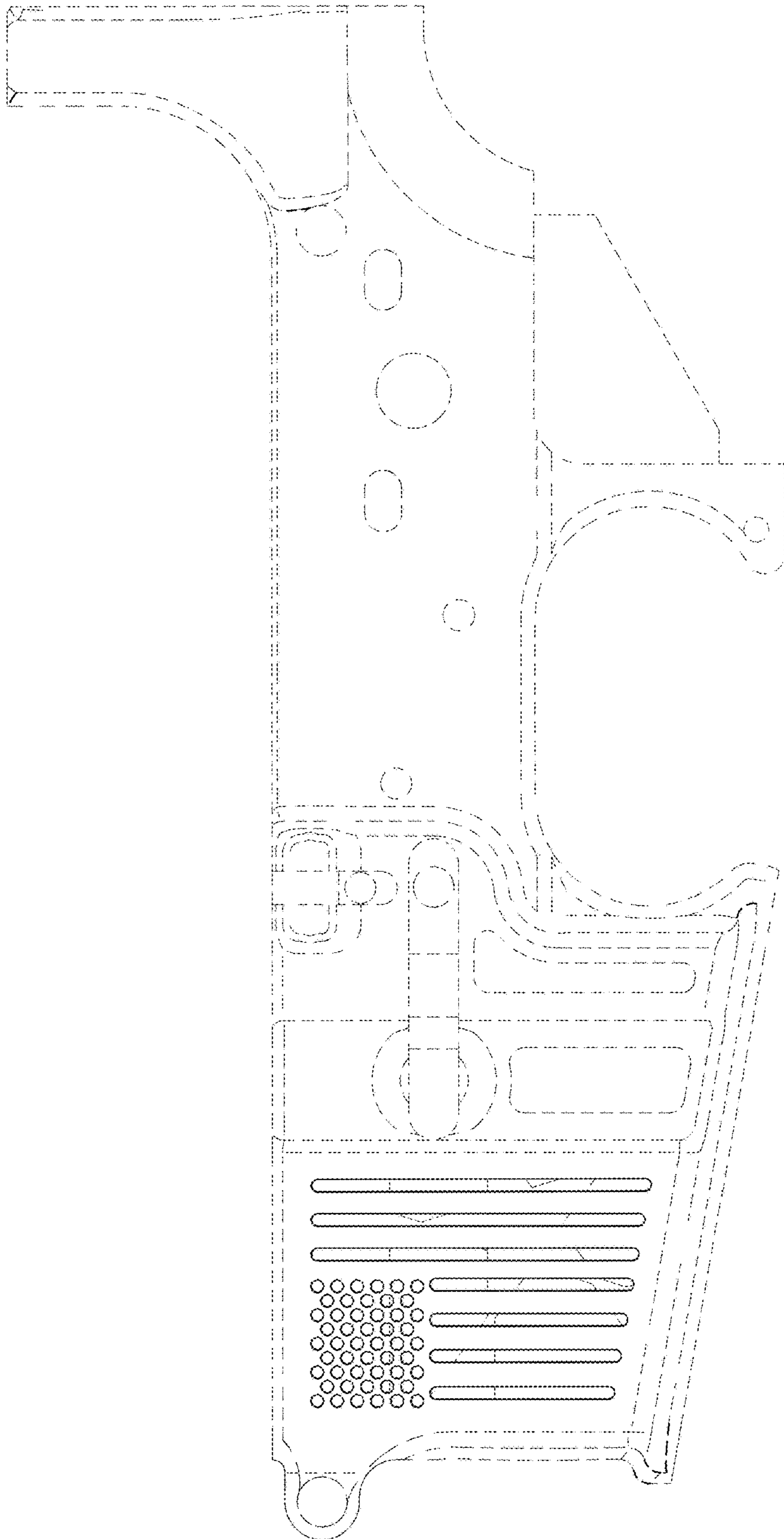


FIG. 6