

US00D860372S

(12) **United States Design Patent** (10) **Patent No.:** **US D860,372 S**
Riley (45) **Date of Patent:** **** Sep. 17, 2019**

(54) **FIREARM SUPPRESSOR**

(71) Applicant: **Hiperformance, LLC**, New Century, KS (US)

(72) Inventor: **Bradford Whittam Riley**, Olathe, KS (US)

(73) Assignee: **Hiperformance, LLC**, New Century, KS (US)

(**) Term: **15 Years**

(21) Appl. No.: **29/628,529**

(22) Filed: **Dec. 5, 2017**

(51) **LOC (12) Cl.** **22-01**

(52) **U.S. Cl.**
USPC **D22/108**

(58) **Field of Classification Search**
USPC D22/100, 101, 103, 104, 108, 199;
D21/572, 573
CPC F41A 13/00; F41A 35/04
See application file for complete search history.

(56) **References Cited**

U.S. PATENT DOCUMENTS

D364,442 S	*	11/1995	Martel	D22/108
D389,220 S	*	1/1998	Coffey	D22/100
D478,146 S	*	8/2003	Wygant	D22/108
D582,502 S	*	12/2008	Brittingham	D22/108
D585,518 S	*	1/2009	Brittingham	D22/108

D637,684 S	*	5/2011	Kimmel	D22/108
D682,384 S	*	5/2013	Jaureguizar	D22/108
D717,906 S	*	11/2014	Montes	D22/108
D738,985 S	*	9/2015	Montes	D22/108
D745,936 S	*	12/2015	Coulter	D21/573
D790,648 S	*	6/2017	Pezeshk	D22/108
D792,549 S	*	7/2017	McKillips	D22/108
D802,699 S	*	11/2017	Shults	D22/108
D810,224 S	*	2/2018	Lessard	D22/108
D811,513 S	*	2/2018	Payton	D22/108
2015/0308781 A1	*	10/2015	Michal	F41A 35/04 42/96
2017/0059270 A1	*	3/2017	Pendleton	F41C 9/00

* cited by examiner

Primary Examiner — Karen S Acker

Assistant Examiner — Steven B Reinholdt, Jr.

(74) *Attorney, Agent, or Firm* — Spencer Fane LLP

(57) **CLAIM**

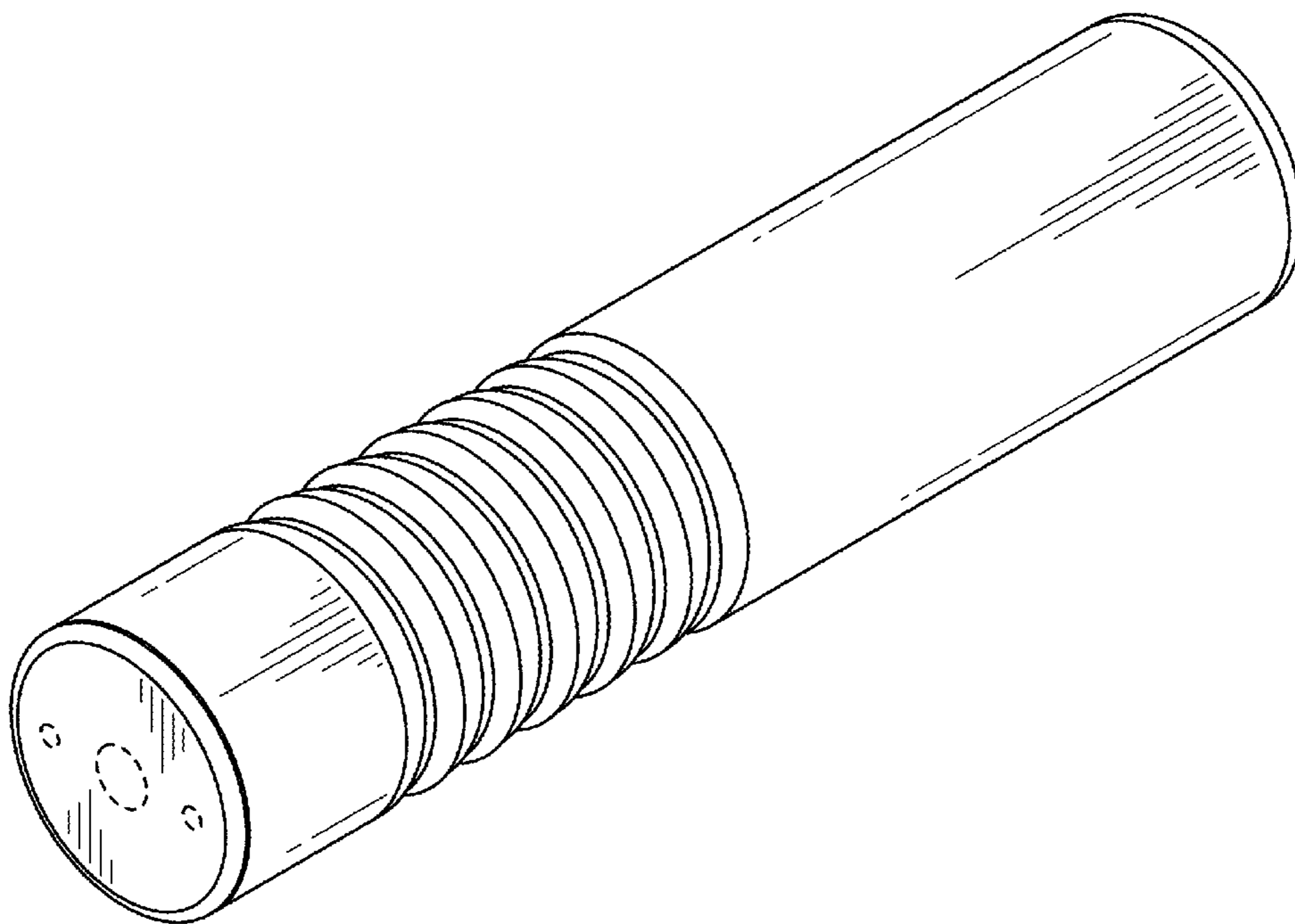
The ornamental design for a firearm suppressor, as shown and described.

DESCRIPTION

FIG. 1 is a perspective view of the firearm suppressor; FIG. 2 is a side elevational view of the firearm suppressor; FIG. 3 is a rear elevation view showing the discharge end of the firearm suppressor; and, FIG. 4 is a front elevation view of the muzzle end of the firearm suppressor.

The broken lines depict portions of the firearm suppressor that form no part of the claimed design.

1 Claim, 3 Drawing Sheets



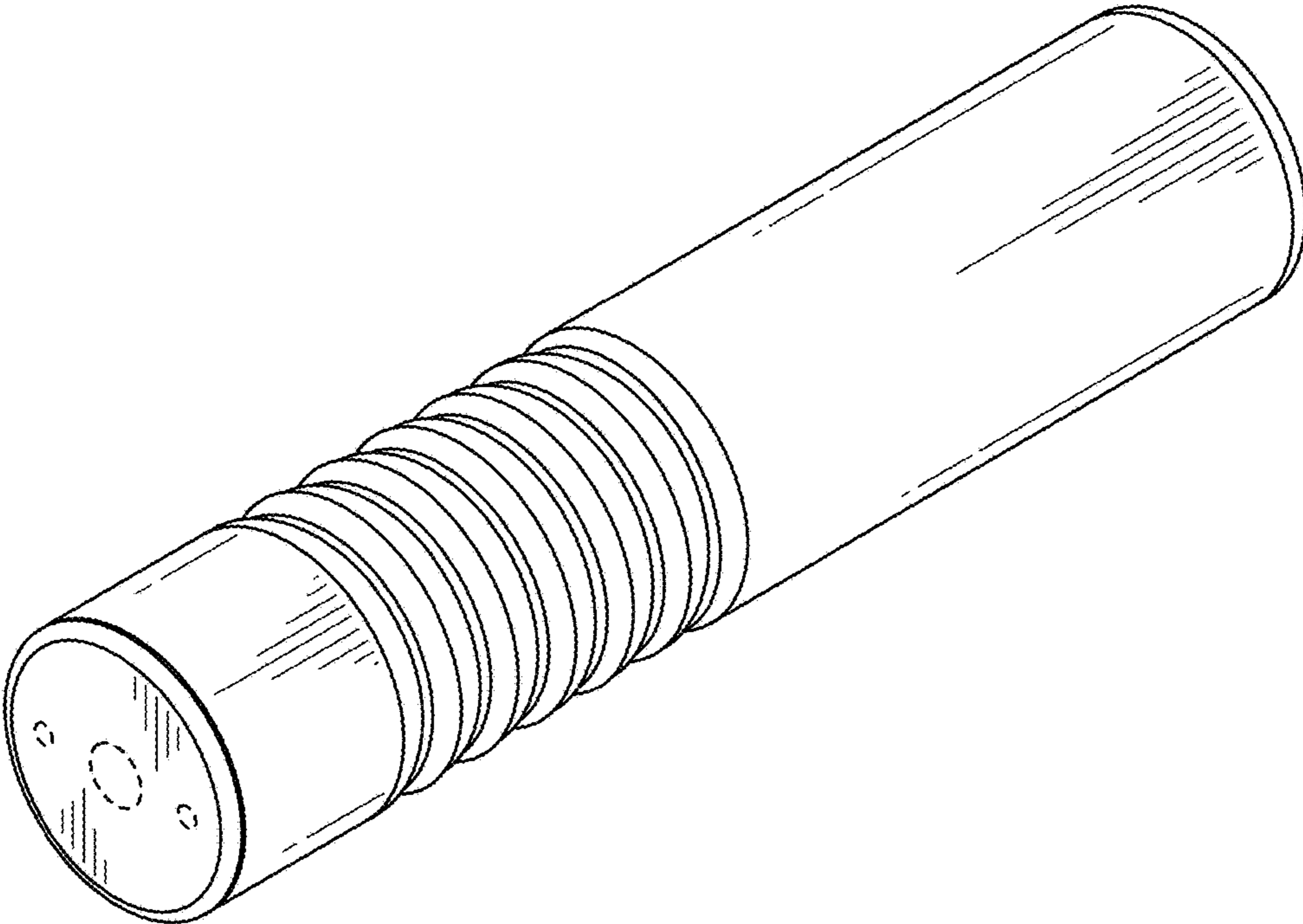


FIG. 1

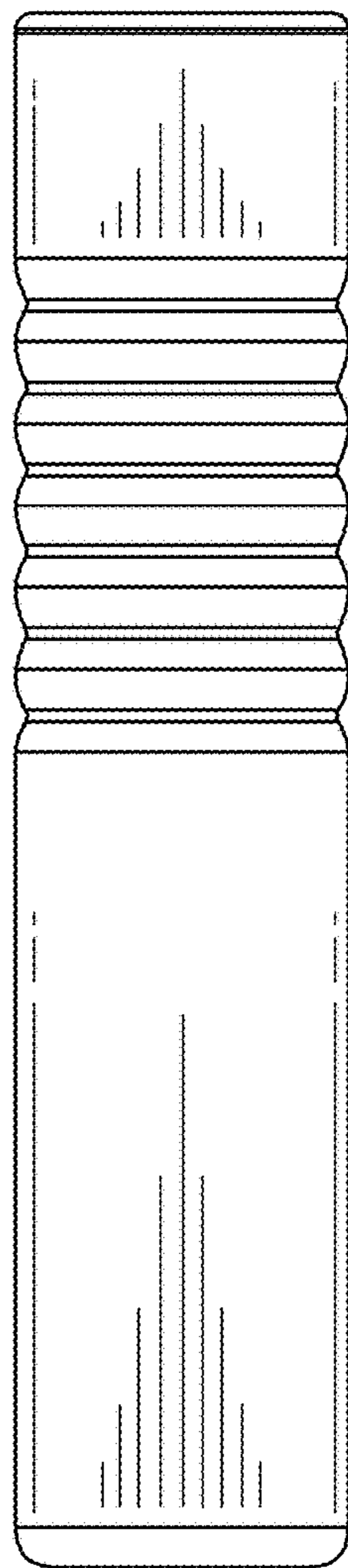


FIG. 2

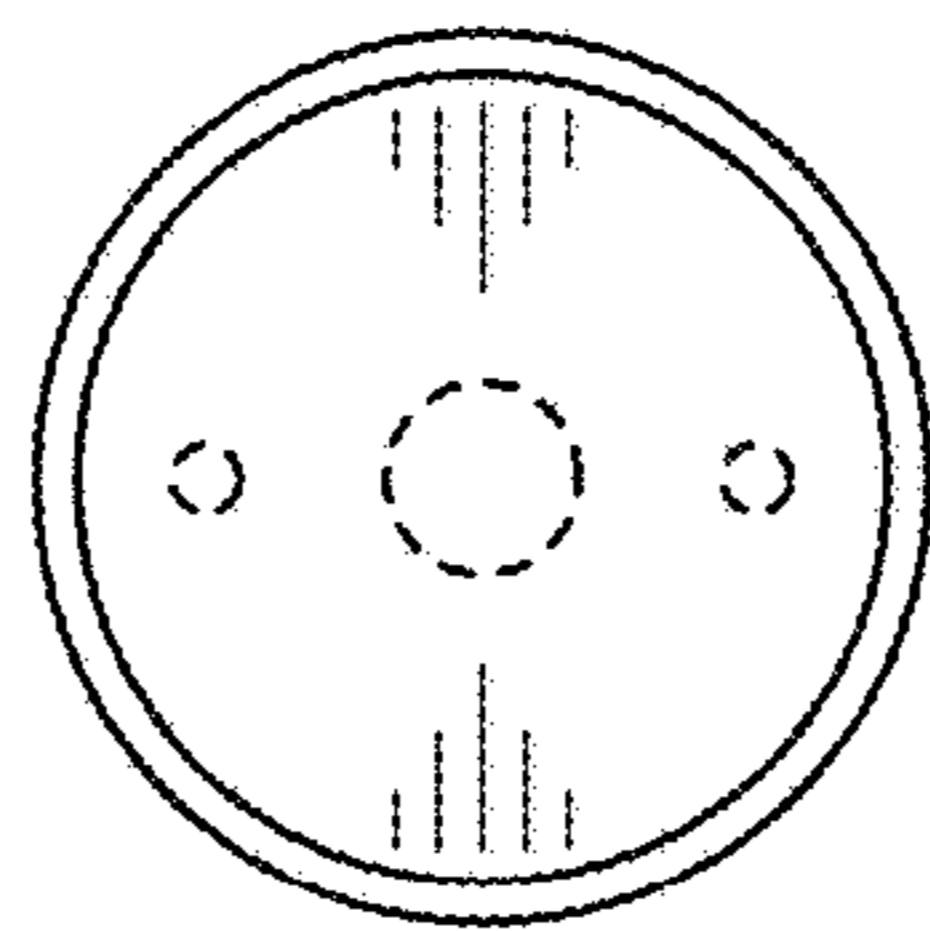


FIG. 3

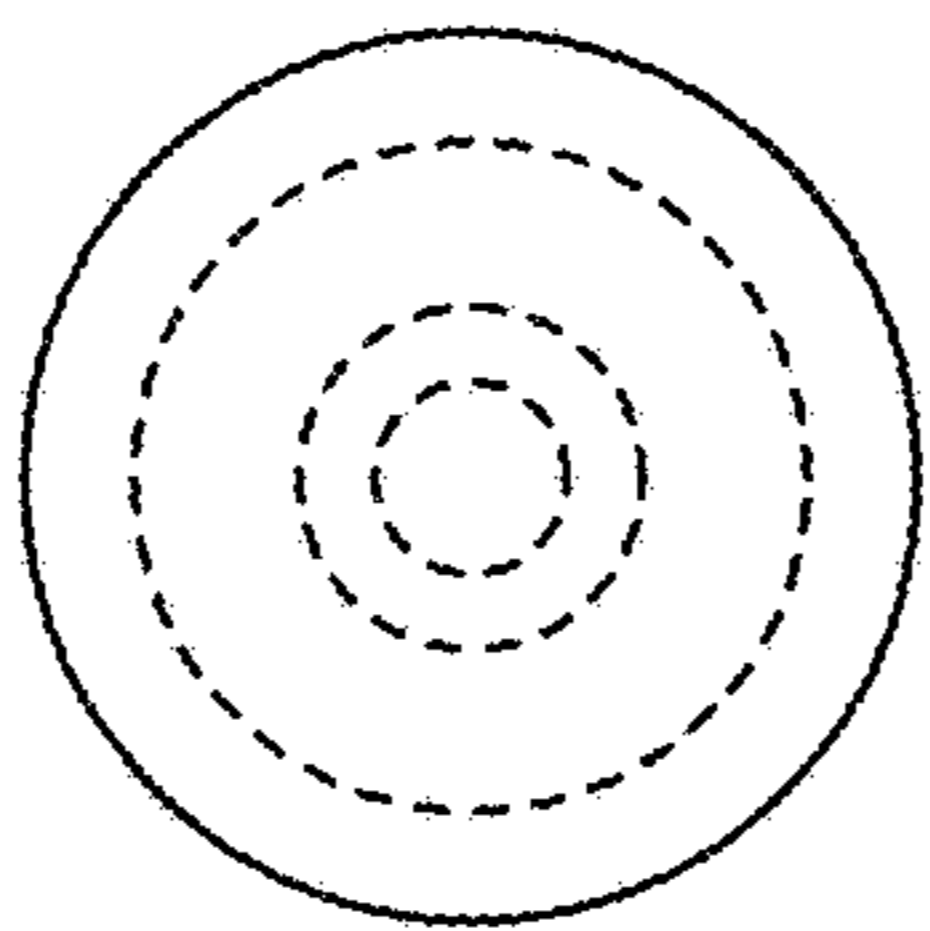


FIG. 4