



US00D860371S

(12) **United States Design Patent**  
**Lister**

(10) **Patent No.:** **US D860,371 S**

(45) **Date of Patent:** **\*\* Sep. 17, 2019**

(54) **BOLT CARRIER FOR A FIREARM**

(71) Applicant: **Stephen D. Lister**, Virginia Beach, VA  
(US)

(72) Inventor: **Stephen D. Lister**, Virginia Beach, VA  
(US)

(\*\*) Term: **15 Years**

(21) Appl. No.: **29/628,060**

(22) Filed: **Dec. 1, 2017**

(51) **LOC (12) Cl.** ..... **22-01**

(52) **U.S. Cl.**  
USPC ..... **D22/108**

(58) **Field of Classification Search**  
USPC ..... D21/300, 301, 304, 387, 567, 570, 571,  
D21/573, 574, 575, 746; D22/100, 101,  
D22/102, 103, 106, 107, 108, 109, 110,  
D22/111, 112, 199  
CPC ..... F41A 3/26; F41A 3/12; F41A 5/02; F41A  
17/22; F41B 5/143; F41B 5/14; F41B  
5/066; F41B 7/08; F41B 5/1446; F41B  
5/148; F41B 5/1465; F42B 6/04; F42B  
6/08; F42B 6/02; F42B 6/06; F42B  
12/362; F41C 23/16; F41C 27/00; F41C  
7/00; F41G 11/003; F41G 11/001; F41G  
11/004; F41G 11/005; A63H 5/04  
See application file for complete search history.

(56) **References Cited**

U.S. PATENT DOCUMENTS

7,316,091 B1 \* 1/2008 Desomma ..... F41A 3/26  
42/16  
7,779,743 B2 \* 8/2010 Herring ..... F41A 5/18  
89/193  
7,930,968 B2 \* 4/2011 Giefing ..... F41A 3/26  
42/16  
D641,451 S \* 7/2011 Gomez ..... F41A 5/20  
D22/108

8,371,209 B2 \* 2/2013 Boutin, Jr. .... F41A 5/24  
89/179

8,387,513 B2 3/2013 Gomez et al.  
8,689,672 B2 \* 4/2014 Cassels ..... F41A 5/26  
42/69.02

(Continued)

OTHER PUBLICATIONS

“AR15/M16 Bolts & Bolt Carrier Groups” [online]. Aim Surplus Inc. [Retrieved on Sep. 20, 2018]. Retrieved from the Internet: <<https://www.aimsurplus.com/catalog.aspx?groupid=12184&name=.223%2f5.56+AR15%2fM16+Bolts+%26+Bolt+Carrier+Groups>>.\*

(Continued)

*Primary Examiner* — Khawaja Anwar  
*Assistant Examiner* — Mojtaba Tehrani  
(74) *Attorney, Agent, or Firm* — Shaddock Law Group, PC

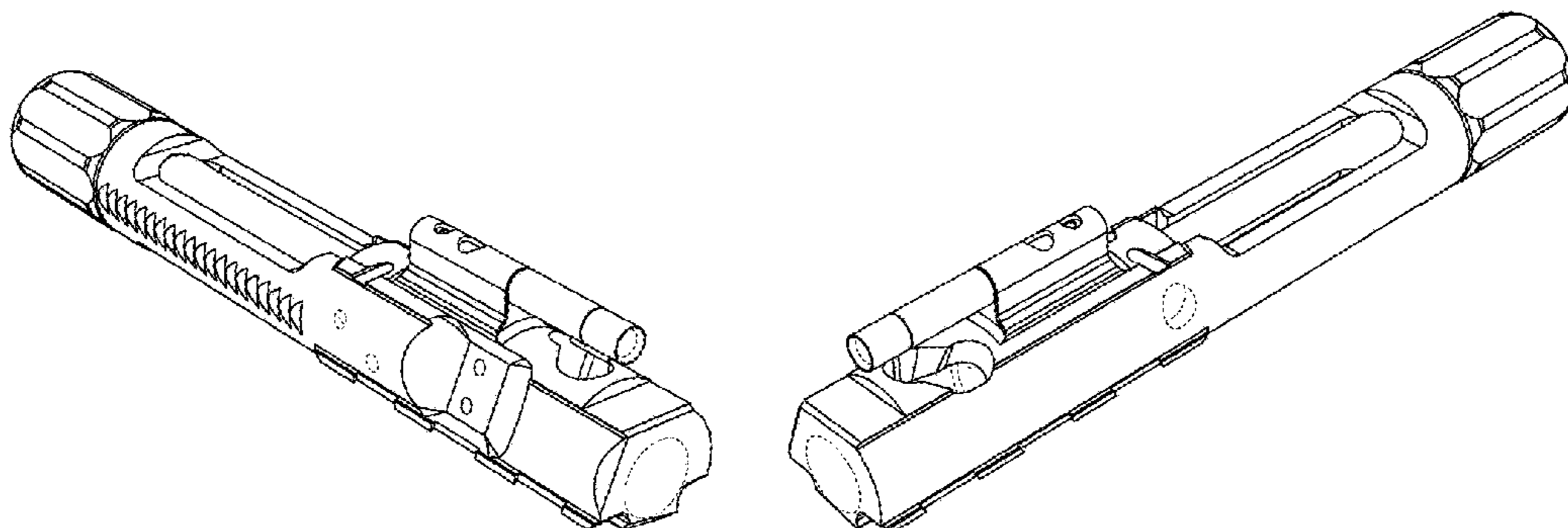
(57) **CLAIM**

The ornamental design for a bolt carrier for a firearm, as shown and described.

**DESCRIPTION**

FIG. 1 is an upper, right, front perspective view of a bolt carrier for a firearm, showing my new design; FIG. 2 is an upper, left, front perspective view thereof; FIG. 3 is a lower, right, front perspective view thereof; FIG. 4 is a lower, left, front perspective view thereof; FIG. 5 is an upper, right, rear perspective view thereof; FIG. 6 is an upper, left, rear perspective view thereof; FIG. 7 is a lower, right, rear perspective view thereof; FIG. 8 is a lower, left, rear perspective view thereof; FIG. 9 is a right side view thereof; FIG. 10 is a left side view thereof; FIG. 11 is a top view thereof; FIG. 12 is a bottom view thereof; FIG. 13 is a front view thereof; and, FIG. 14 is a rear view thereof.

(Continued)



The broken lines shown in the drawing figures depict unclaimed portions of the bolt carrier only and form no part of the claimed design.

**1 Claim, 7 Drawing Sheets**

(56)

**References Cited**

U.S. PATENT DOCUMENTS

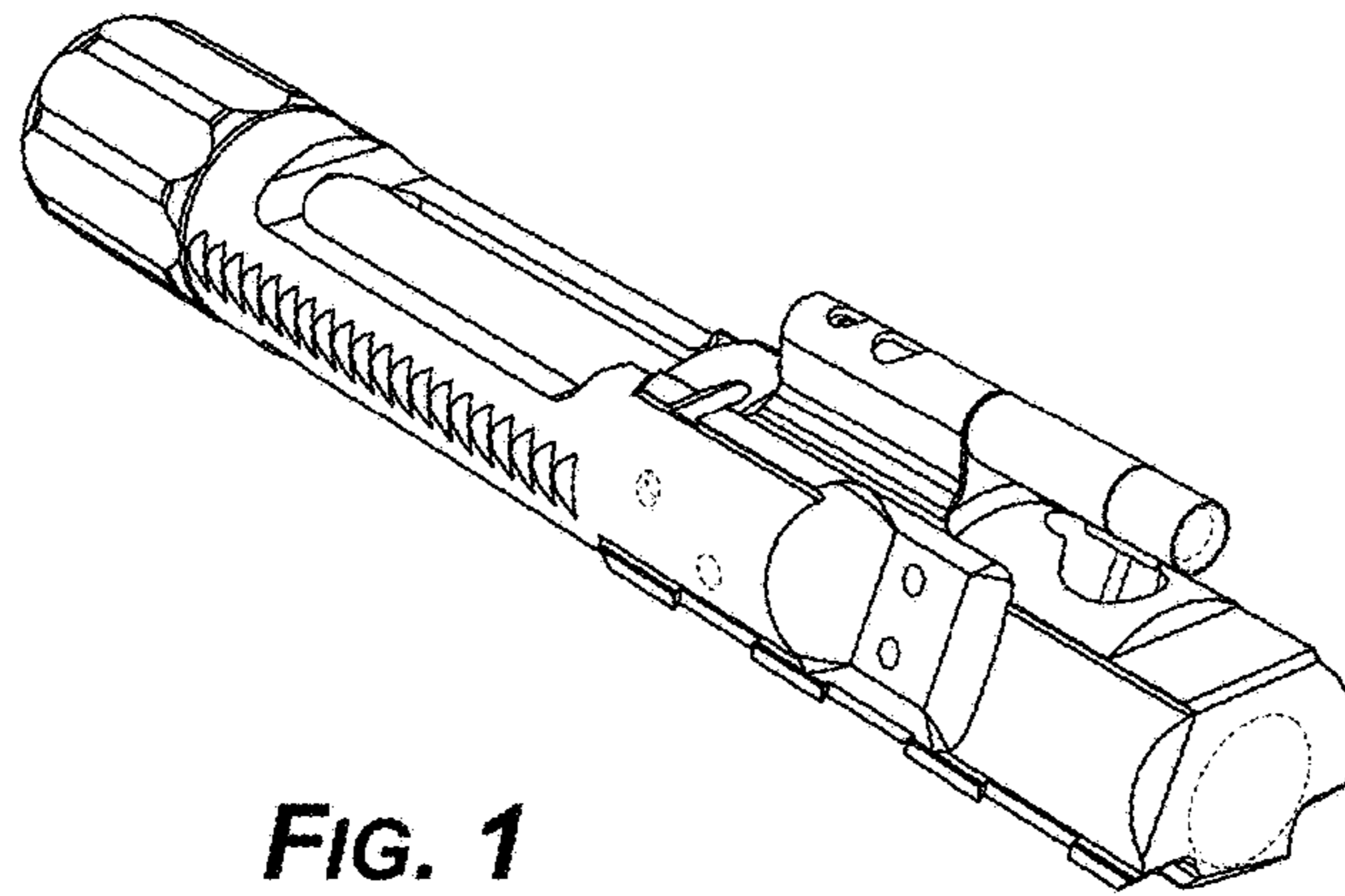
8,950,097	B2 *	2/2015	Sugg .....	F41A 3/68 42/16
9,103,611	B2 *	8/2015	Neitzling .....	F41A 3/26
D754,273	S *	4/2016	Oglesby .....	D22/108
9,372,038	B1 *	6/2016	Sylvester .....	F41A 5/24
9,470,469	B2 *	10/2016	Daniel .....	F41A 35/00
D790,028	S *	6/2017	Geissele .....	D22/108
9,791,224	B1 *	10/2017	Russo .....	F41A 3/66
D803,972	S *	11/2017	Geissele .....	D22/108
9,857,129	B1 *	1/2018	Kelly .....	F41A 3/30
9,970,721	B1 *	5/2018	Oglesby .....	F41A 3/64
10,006,726	B1 *	6/2018	Oglesby .....	F41A 3/20
10,018,434	B2 *	7/2018	Daley, Jr. ....	F41G 11/003

2010/0000139	A1 *	1/2010	Brown .....	F41A 3/66 42/96
2010/0319527	A1 *	12/2010	Giefing .....	F41A 3/26 89/185
2012/0137869	A1 *	6/2012	Gomez .....	F41A 3/26 89/125
2014/0060311	A1 *	3/2014	Christenson .....	F41A 5/18 89/191.01
2014/0076144	A1 *	3/2014	Gomez .....	F41A 3/38 89/132
2014/0090283	A1 *	4/2014	Gomez .....	F41A 3/26 42/25
2014/0318361	A1 *	10/2014	Larue .....	F41A 5/24 89/193
2015/0241149	A1 *	8/2015	McMillen, IV .....	F41A 5/28 89/193
2016/0123685	A1 *	5/2016	Oglesby .....	F41A 3/26 89/180

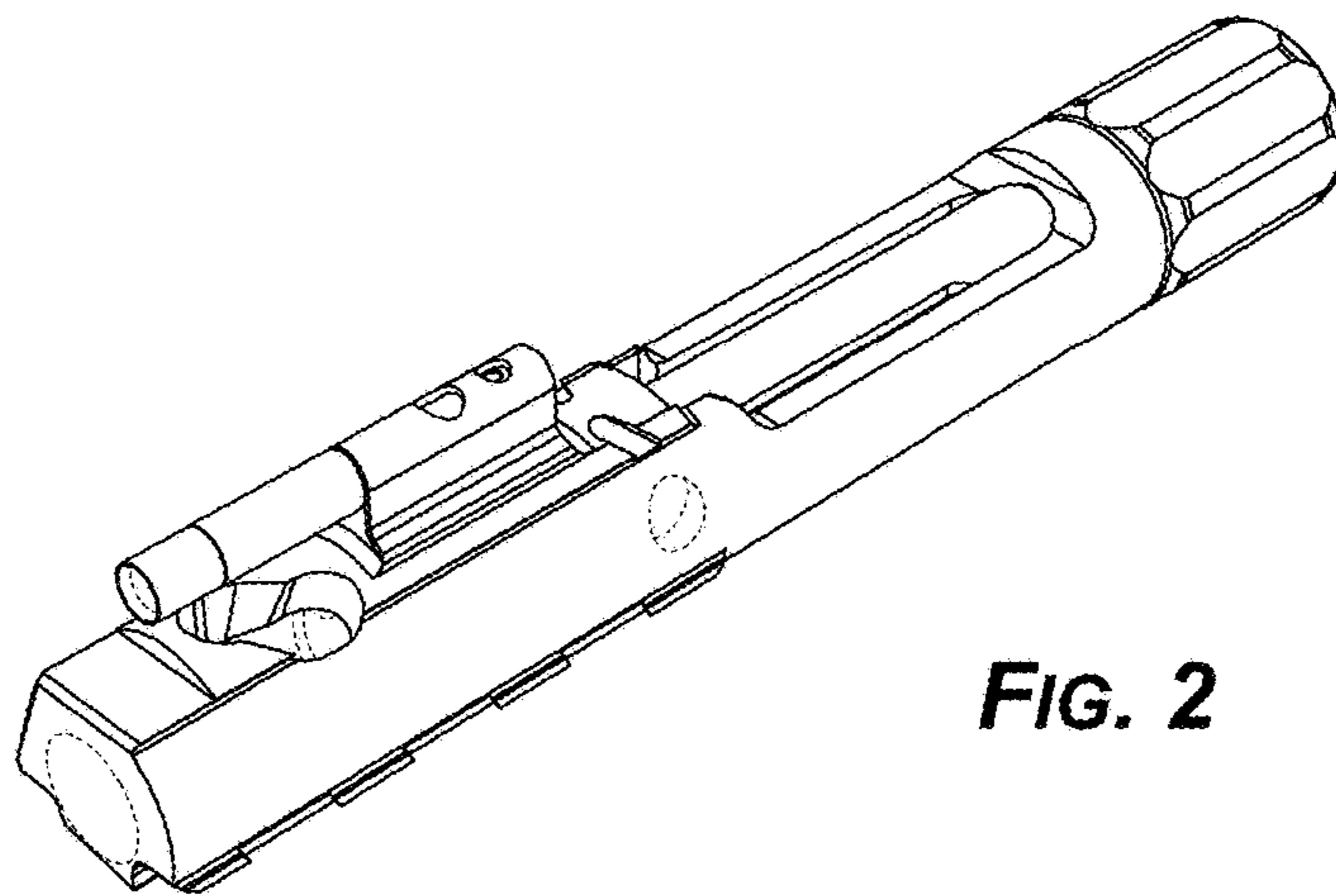
OTHER PUBLICATIONS

“AIM Evolution 3.0 BCG” [online]. Stickman. [Published on Nov. 13, 2015]. Retrieved from the Internet: <[https://www.ar15.com/forums/ar-15/AIM\\_Evolution\\_3\\_0\\_BCG\\_/118-684100/](https://www.ar15.com/forums/ar-15/AIM_Evolution_3_0_BCG_/118-684100/)>.\*

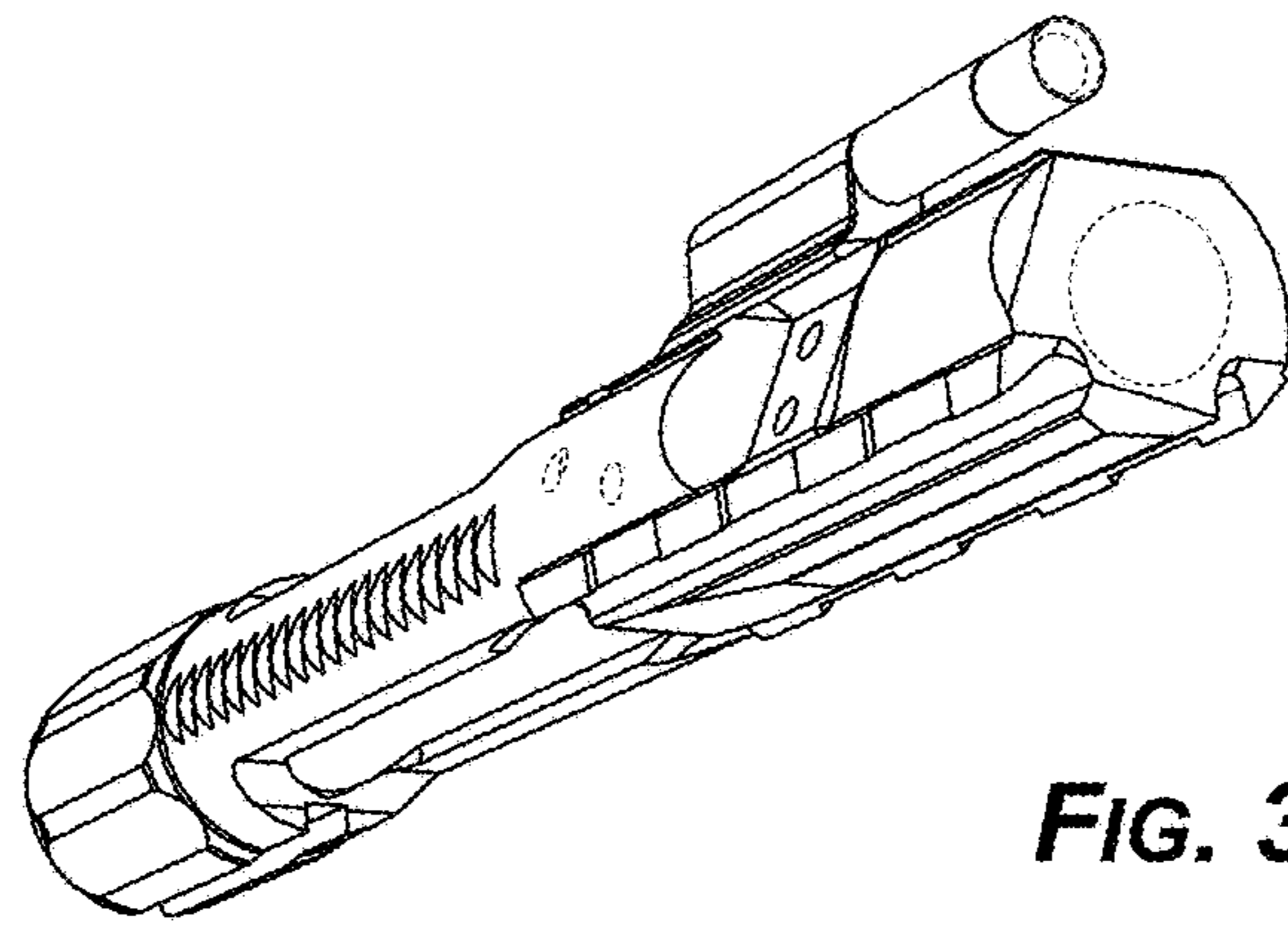
\* cited by examiner



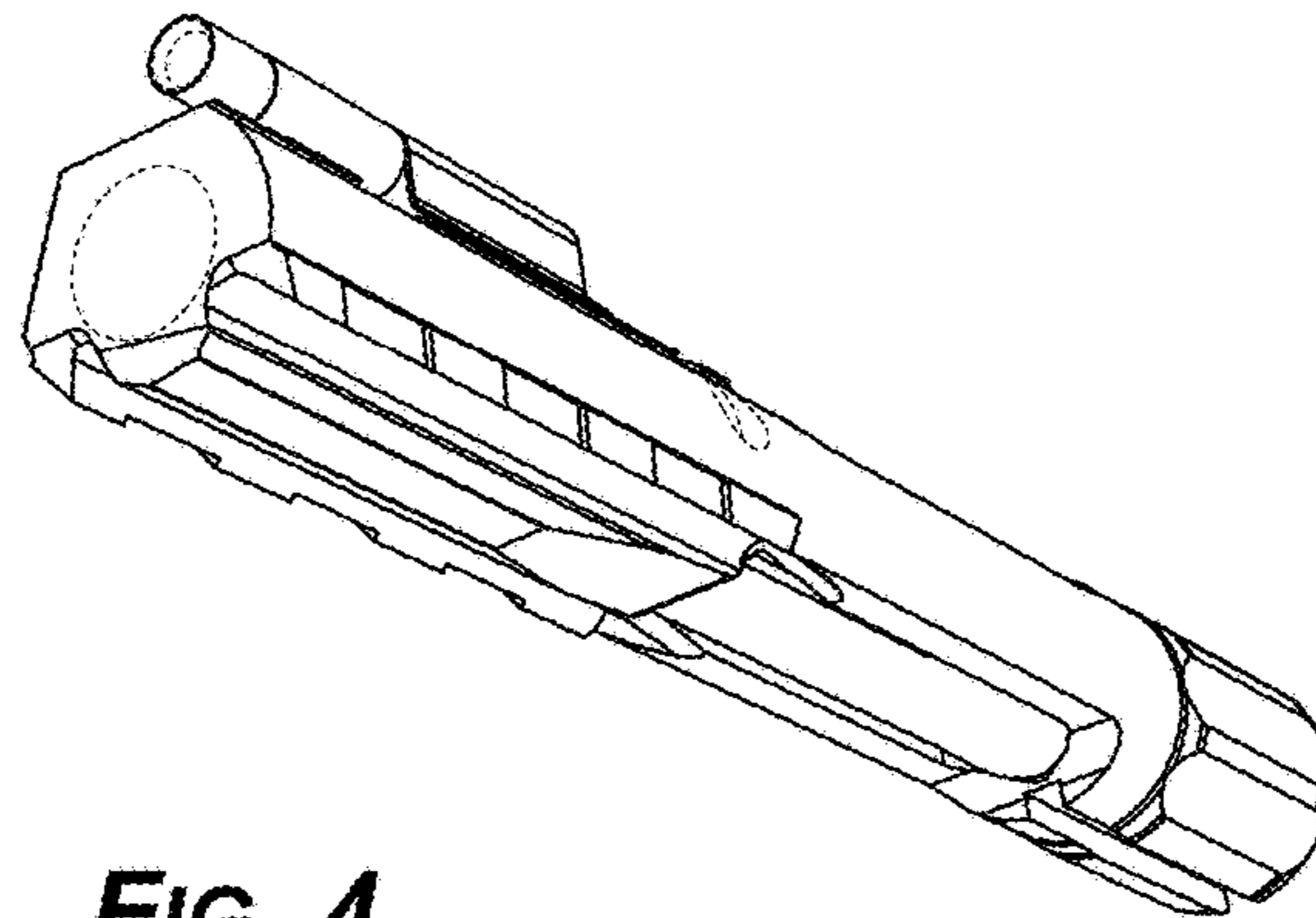
**FIG. 1**



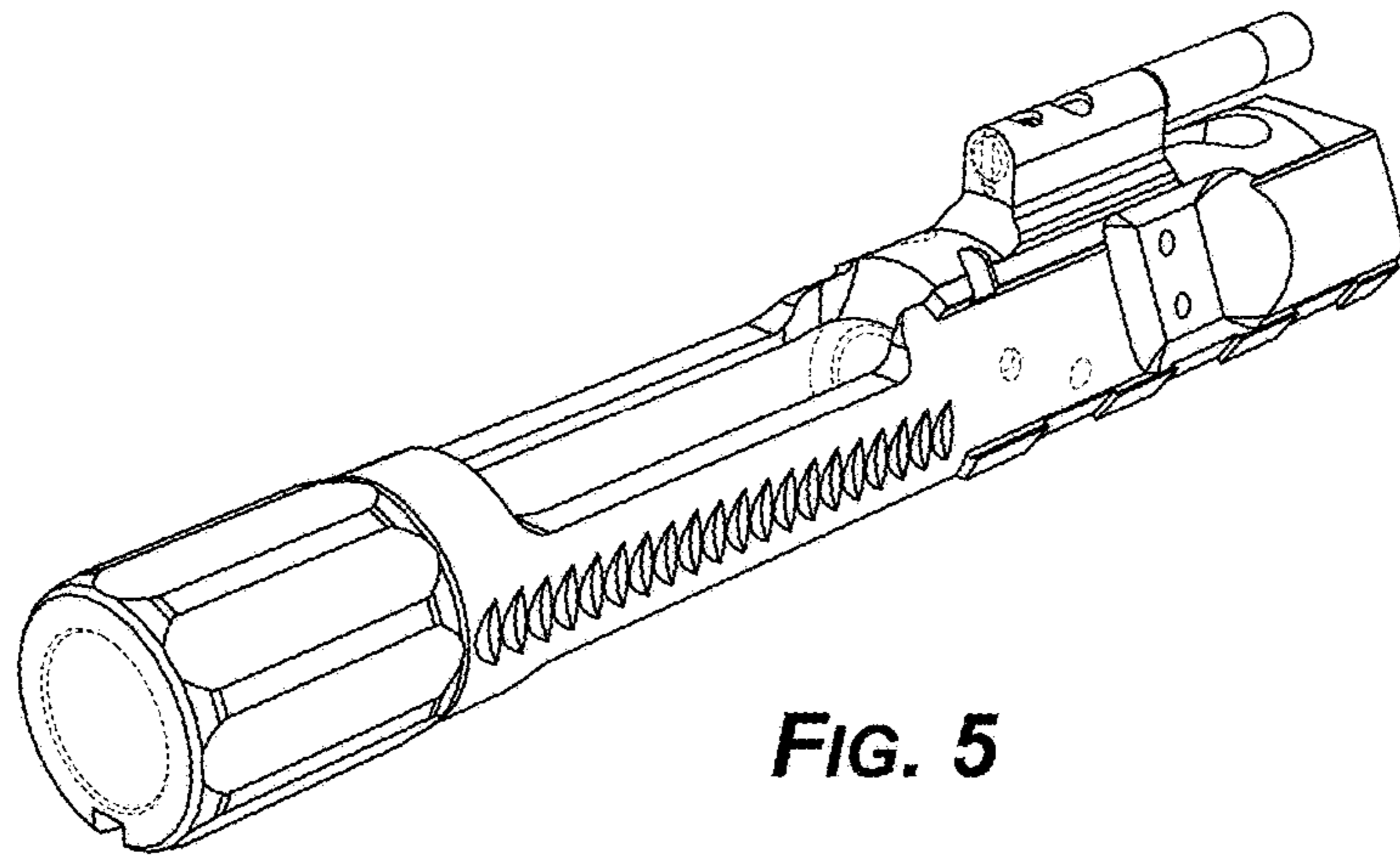
**FIG. 2**



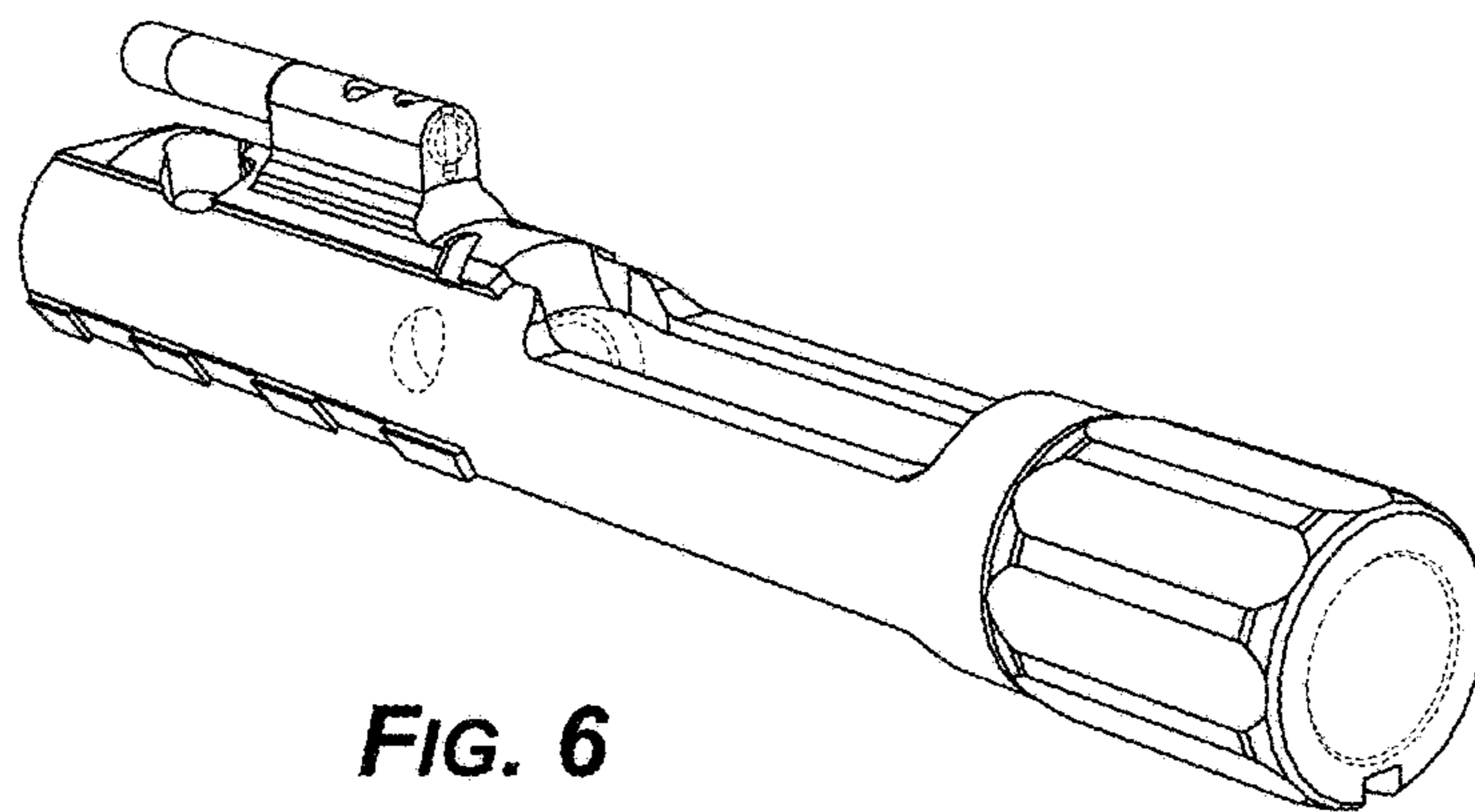
**FIG. 3**



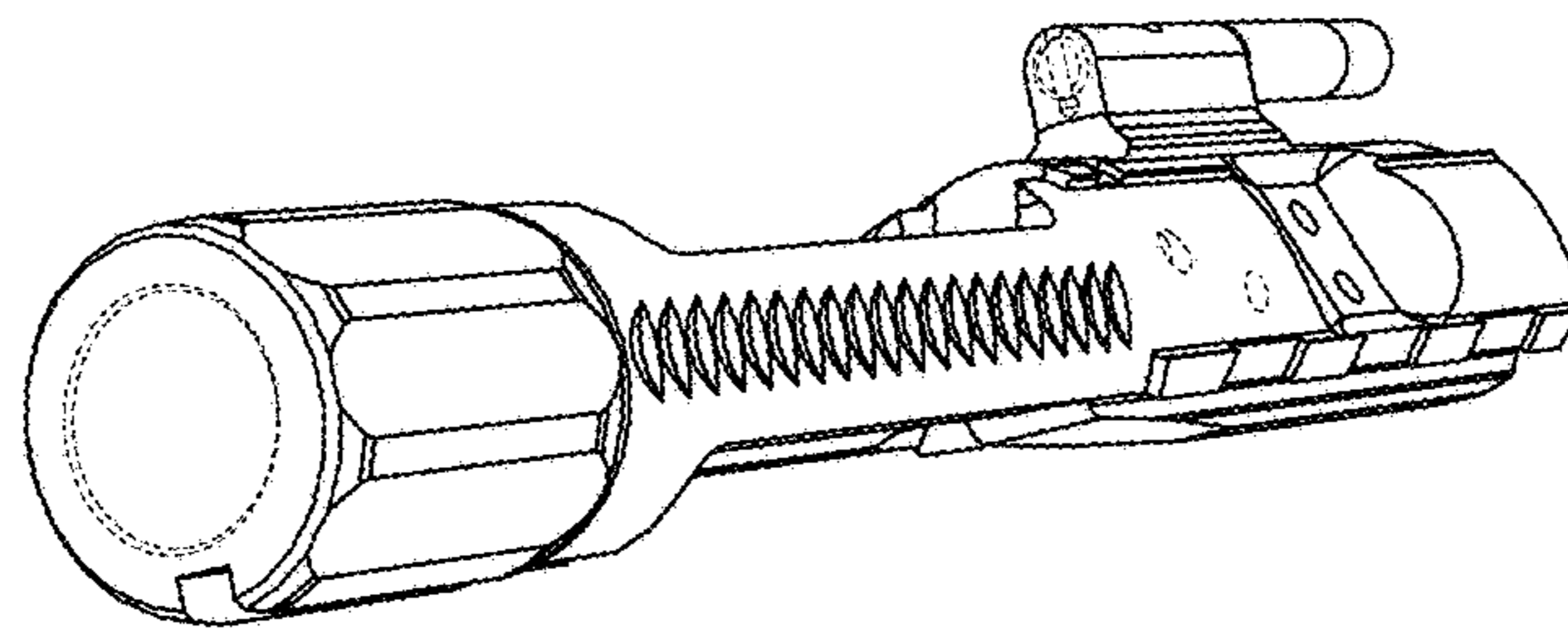
**FIG. 4**



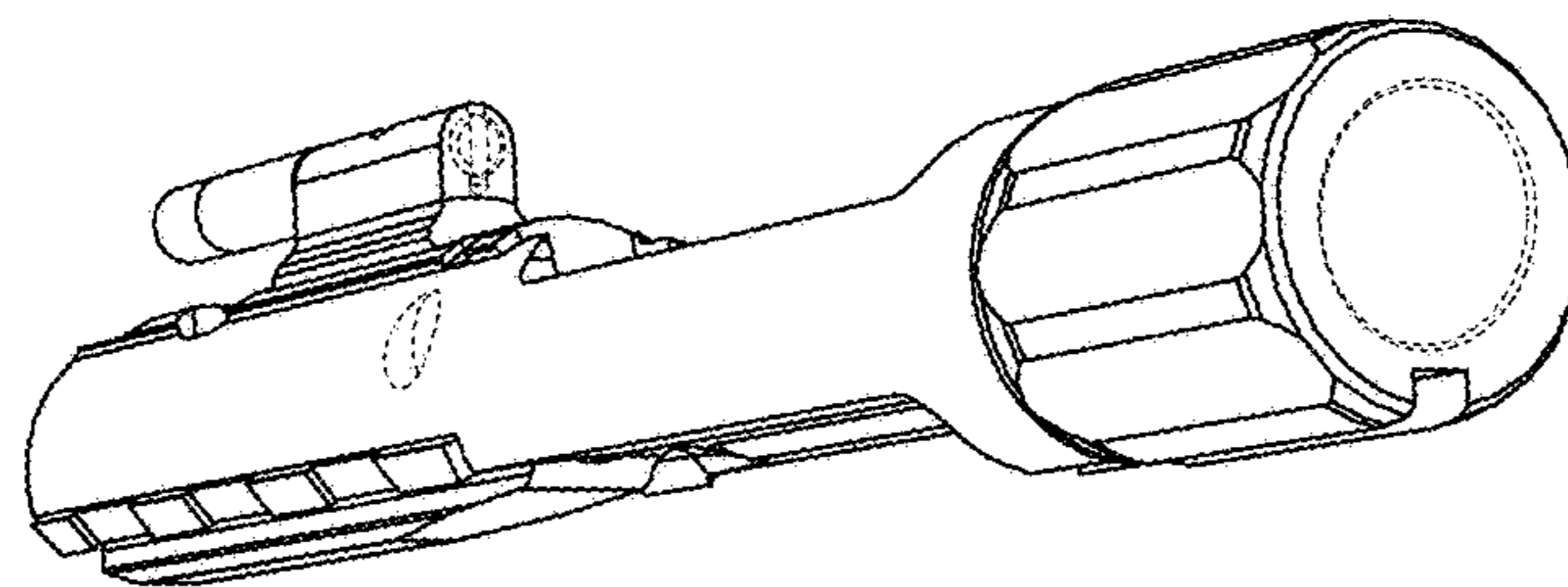
**FIG. 5**



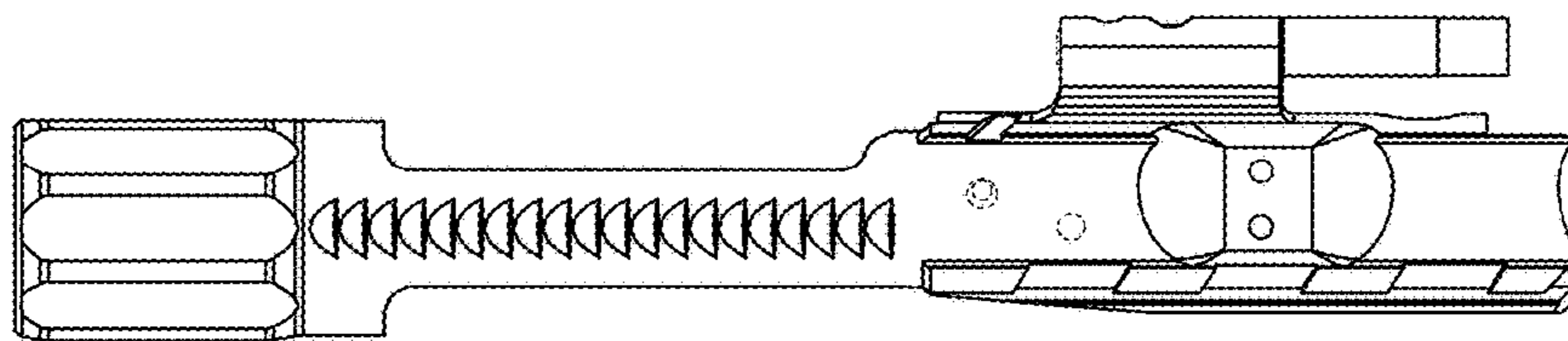
**FIG. 6**



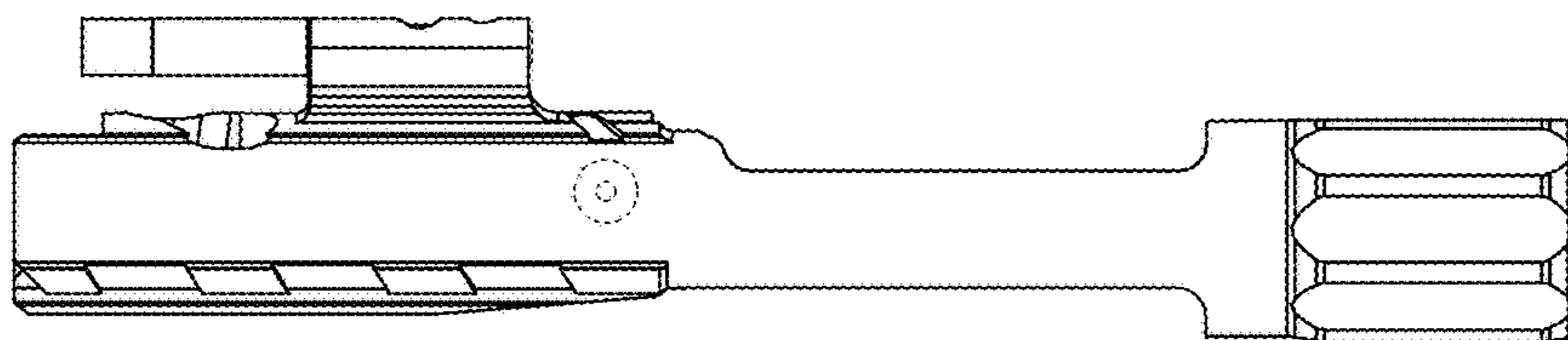
**FIG. 7**



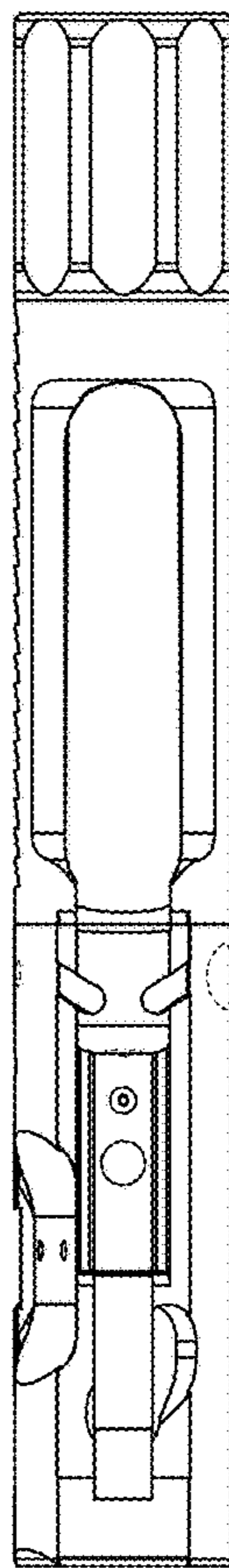
**FIG. 8**



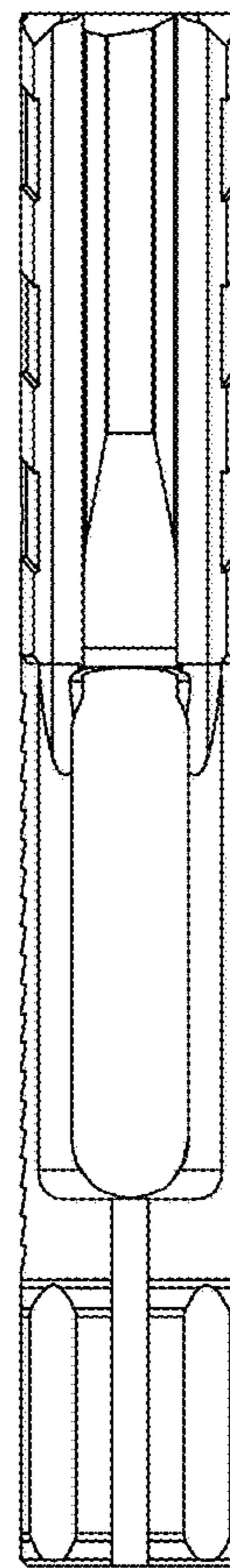
**FIG. 9**



**FIG. 10**

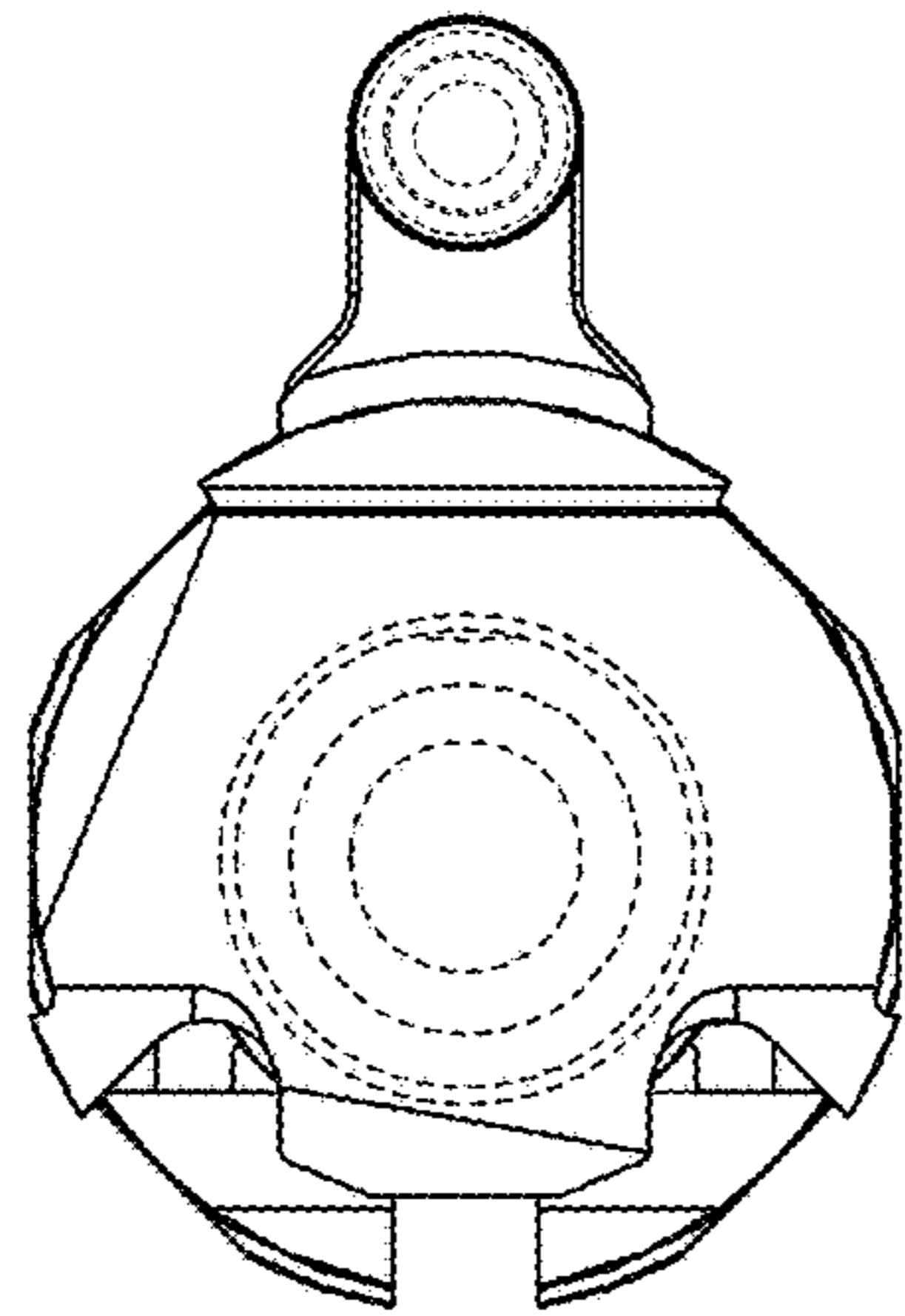


**FIG. 11**

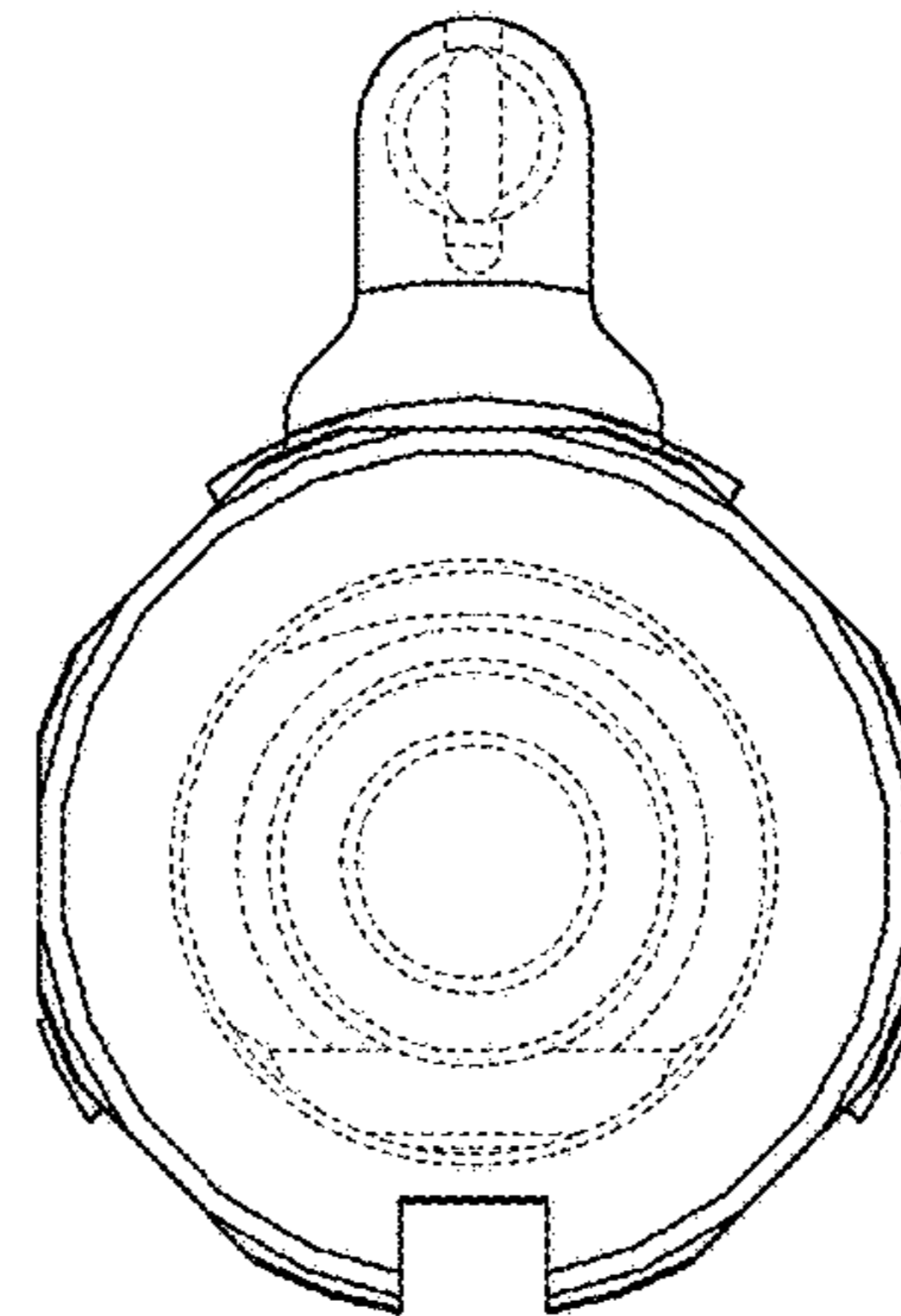


**FIG. 12**





**FIG. 13**



**FIG. 14**