



(12) **United States Design Patent** (10) **Patent No.:** **US D860,367 S**
Barrett et al. (45) **Date of Patent:** **** Sep. 17, 2019**

(54) **INFLATABLE DEVICE**
 (71) Applicant: **FUNBOY, LLC**, Seattle, WA (US)
 (72) Inventors: **Blake Miller Barrett**, Seattle, WA (US); **Maxwell Page Barrett**, Seattle, WA (US)
 (73) Assignee: **FUNBOY, LLC**, Seattle, WA (US)
 (**) Term: **15 Years**
 (21) Appl. No.: **29/645,490**
 (22) Filed: **Apr. 26, 2018**
 (51) **LOC (12) Cl.** **21-02**
 (52) **U.S. Cl.**
 USPC **D21/809**
 (58) **Field of Classification Search**
 USPC D21/803, 808, 809; D6/588, 596–597;
 D1/116–119, 106, 127, 128, 129;
 D30/160

(Continued)

(56) **References Cited**
 U.S. PATENT DOCUMENTS
 D139,176 S * 10/1944 Gaide 297/411.41
 3,112,956 A * 12/1963 Schick A47C 7/021
 297/219.1

(Continued)

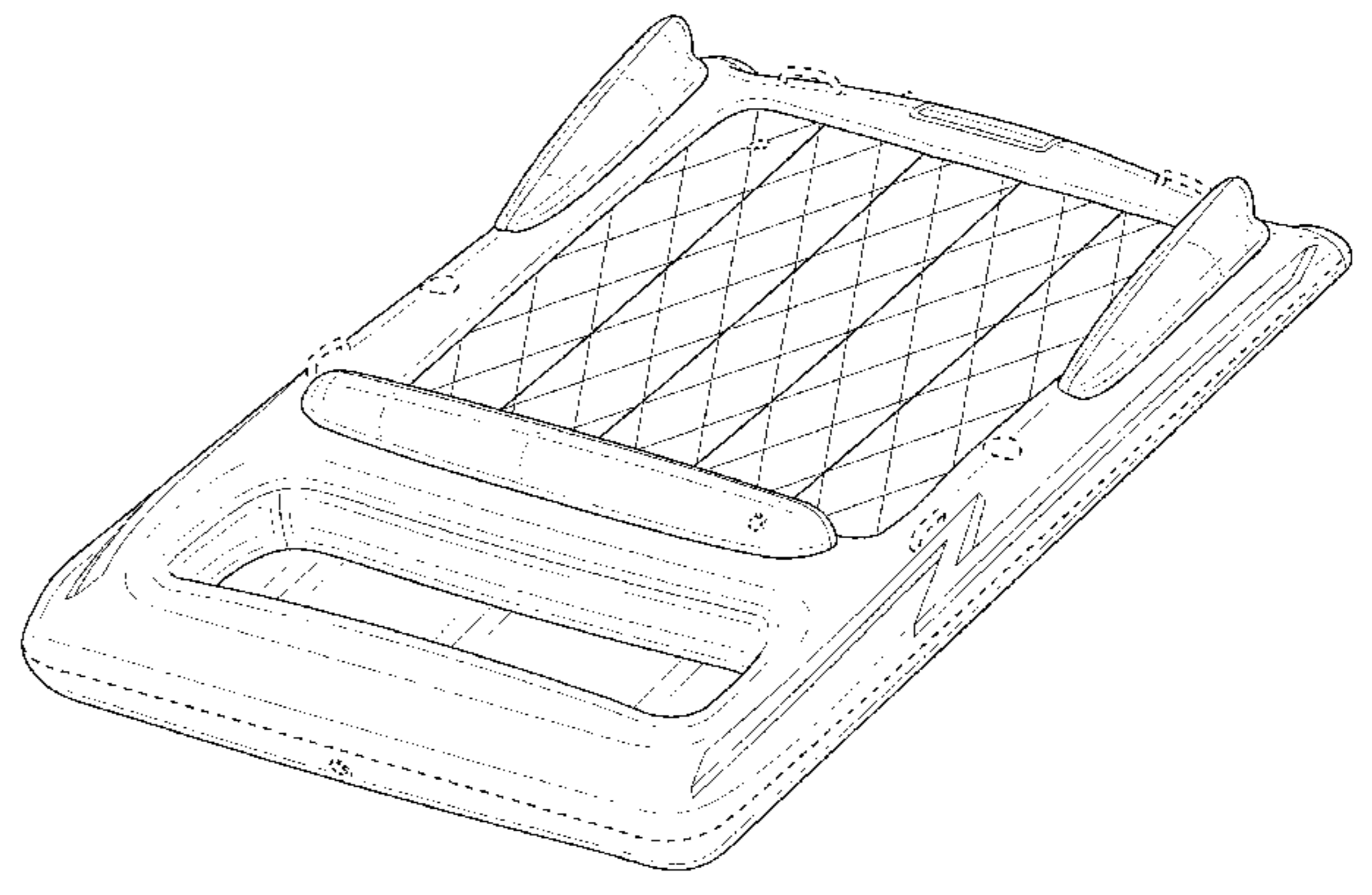
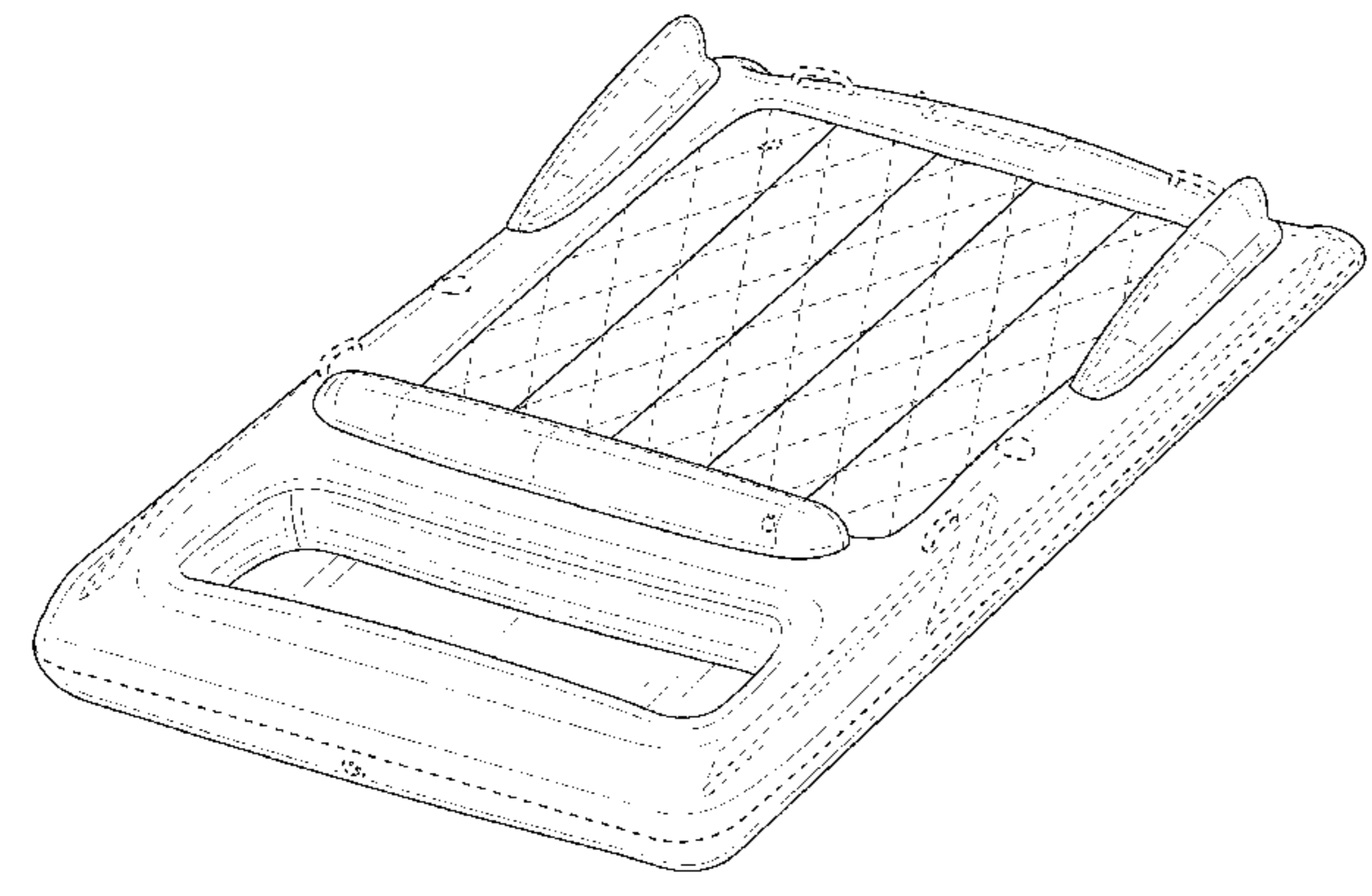
OTHER PUBLICATIONS
 Funboy Retro Convertible Giant Inflatable Pool Float: Published Jun. 5, 2018 [online], site visited Mar. 25, 2019. Available from Internet URL: https://www.amazon.co.uk/dp/B07DK3X5TH/ref=cm_sw_r_tw_dp_U_x_ws5RCb1GFB9JV (Year: 2018).*

Primary Examiner — Jack Reickel
Assistant Examiner — Melvin L Davis
 (74) *Attorney, Agent, or Firm* — Lee & Hayes, P.C.

(57) **CLAIM**
 The ornamental design for an inflatable device, as shown and described.

DESCRIPTION
 FIG. 1 is a top perspective view of a first embodiment of an inflatable device.
 FIG. 2 is a bottom perspective view of the first embodiment of the inflatable device.
 FIG. 3 is a front view of the first embodiment of the inflatable device of FIG. 1.
 FIG. 4 is a back view of the first embodiment of the inflatable device of FIG. 1.
 FIG. 5 is a left-side view of the first embodiment of the inflatable device of FIG. 1.
 FIG. 6 is a right-side view of the first embodiment of the inflatable device of FIG. 1.
 FIG. 7 is a top view of the first embodiment of the inflatable device of FIG. 1.
 FIG. 8 is a bottom view of the first embodiment of the inflatable device of FIG. 1.
 FIG. 9 is a top perspective view of a second embodiment of an inflatable device.
 FIG. 10 is a bottom perspective view of the second embodiment of the inflatable device.
 FIG. 11 is a front view of the second embodiment of the inflatable device of FIG. 9.
 FIG. 12 is a back view of the second embodiment of the inflatable device of FIG. 9.
 FIG. 13 is a left-side view of the second embodiment of the inflatable device of FIG. 9.
 FIG. 14 is a right-side view of the second embodiment of the inflatable device of FIG. 9.
 FIG. 15 is a top view of the second embodiment of the inflatable device of FIG. 9; and,
 FIG. 16 is a bottom view of the second embodiment of the inflatable device of FIG. 9.
 The dashed broken lines depict portions of the inflatable device which form no part of the claimed design. The dot-dashed broken lines represent boundaries of the claimed inflatable device and form no part of the claimed design.

1 Claim, 16 Drawing Sheets



(58) **Field of Classification Search**

CPC A63H 3/06
See application file for complete search history.

(56) **References Cited**

U.S. PATENT DOCUMENTS

5,033,742 A * 7/1991 Johnson A47C 15/006
441/130
5,044,030 A * 9/1991 Balaton A47C 27/081
297/DIG. 3
5,152,243 A * 10/1992 Kuan B63B 7/08
114/345
D383,183 S * 9/1997 Darejeh D12/6
D446,273 S * 8/2001 Natale D21/769
D544,061 S * 6/2007 Kuchler D21/803
D779,008 S * 2/2017 Osimo D21/803
D779,609 S * 2/2017 Osimo D21/803
D821,523 S * 6/2018 Kasper D21/803
D842,626 S * 3/2019 Zanki D6/601
2010/0299837 A1 * 12/2010 Yandle A61G 1/013
5/627

* cited by examiner

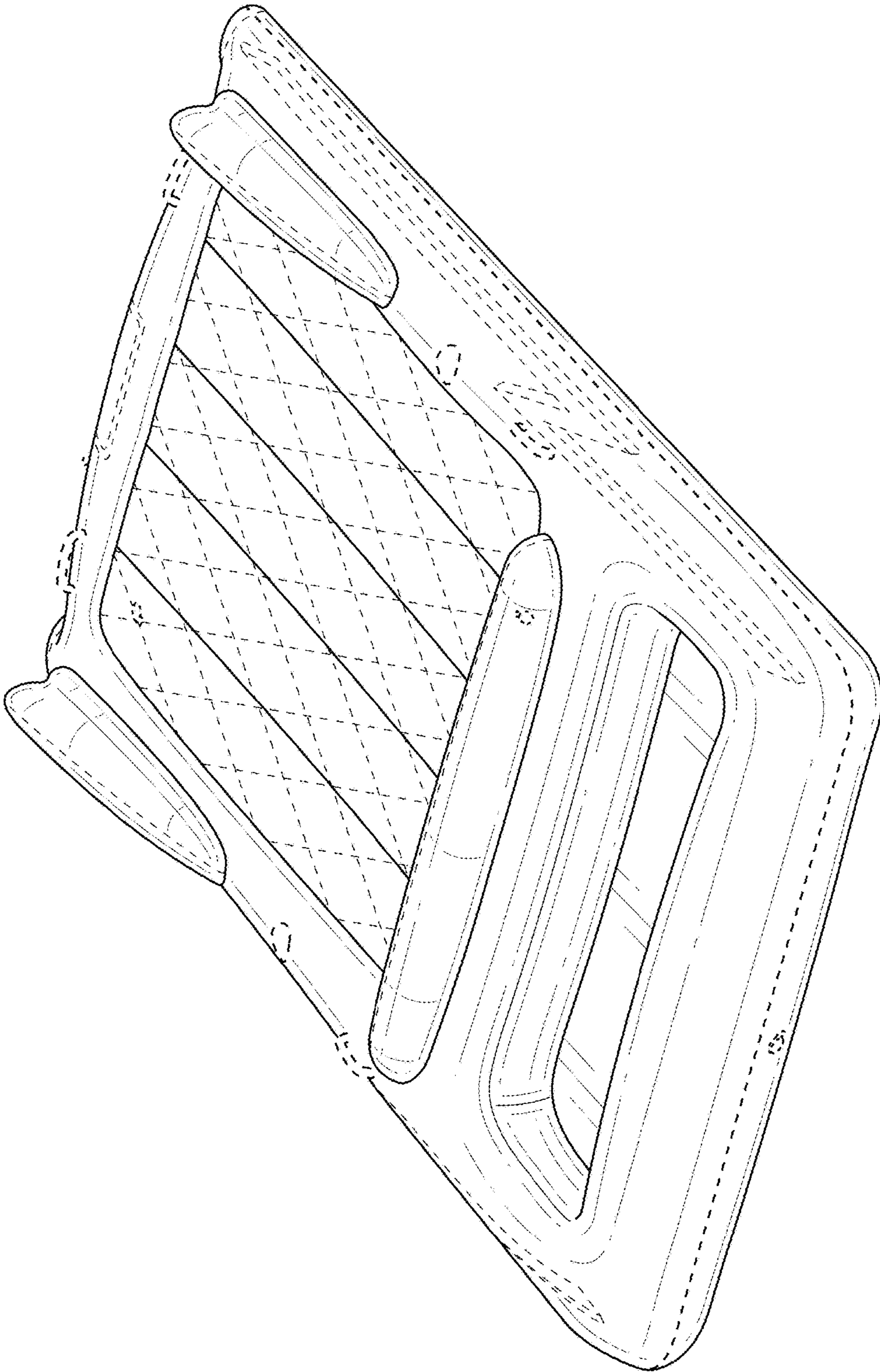


FIG. 1

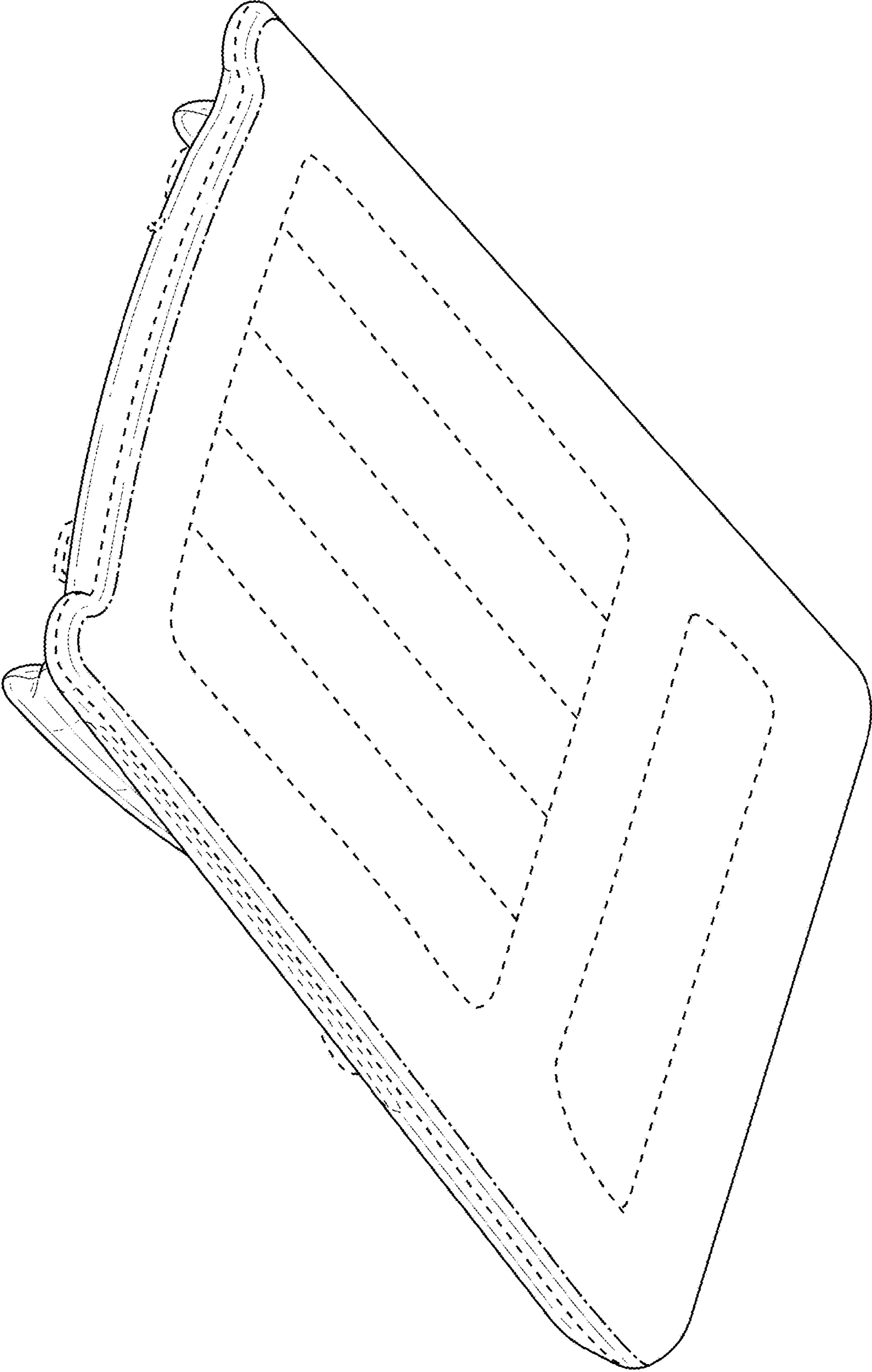


FIG. 2

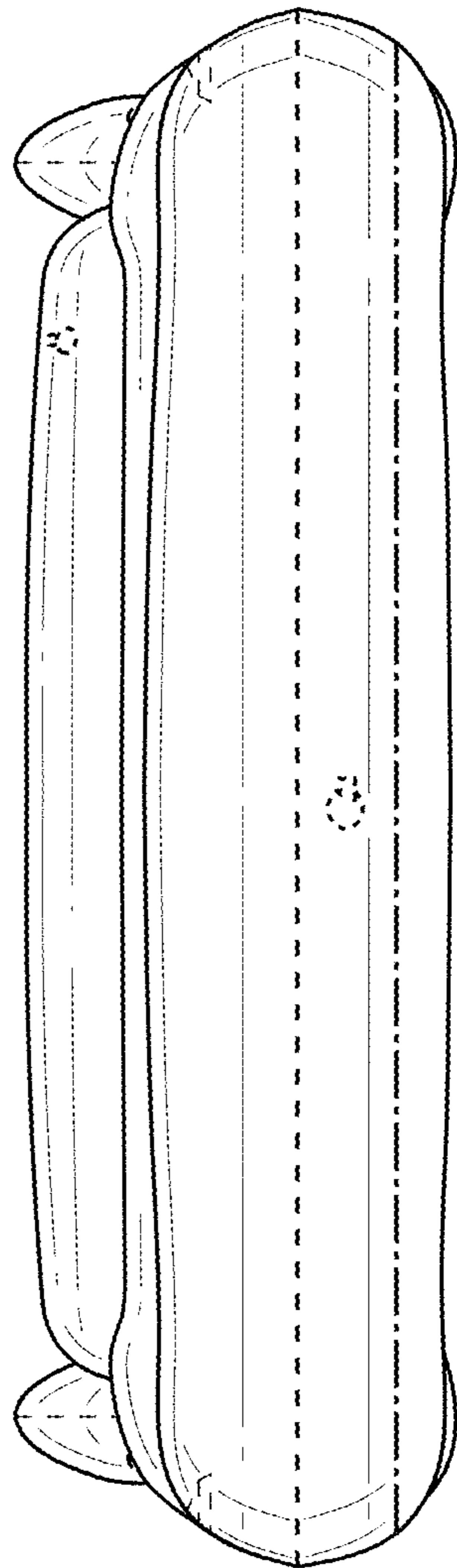


FIG. 3

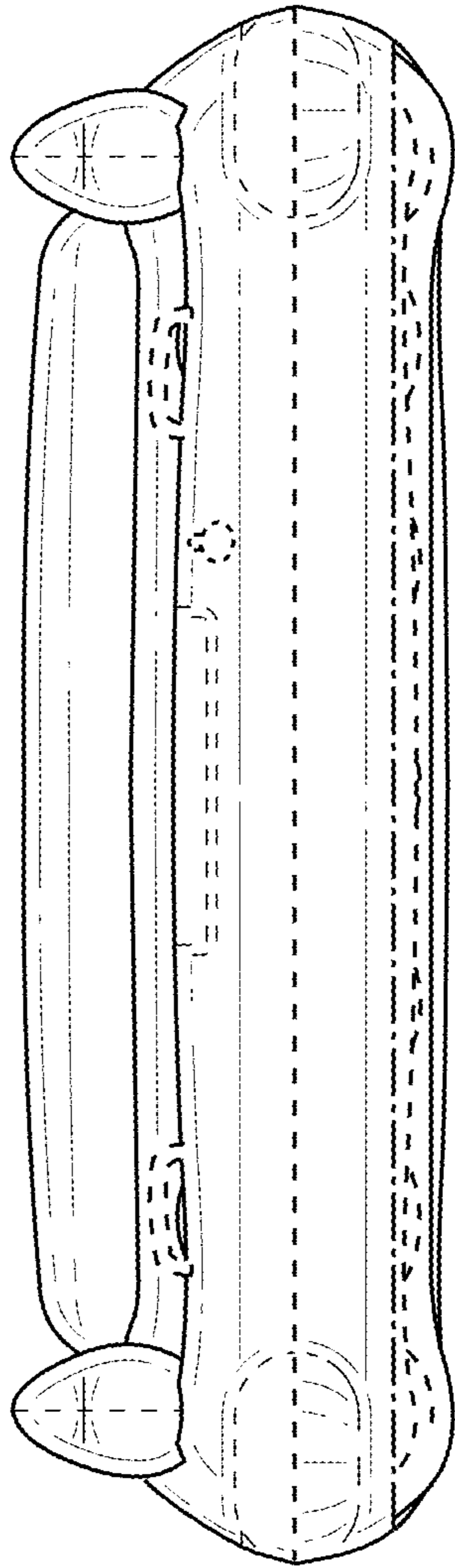


FIG. 4

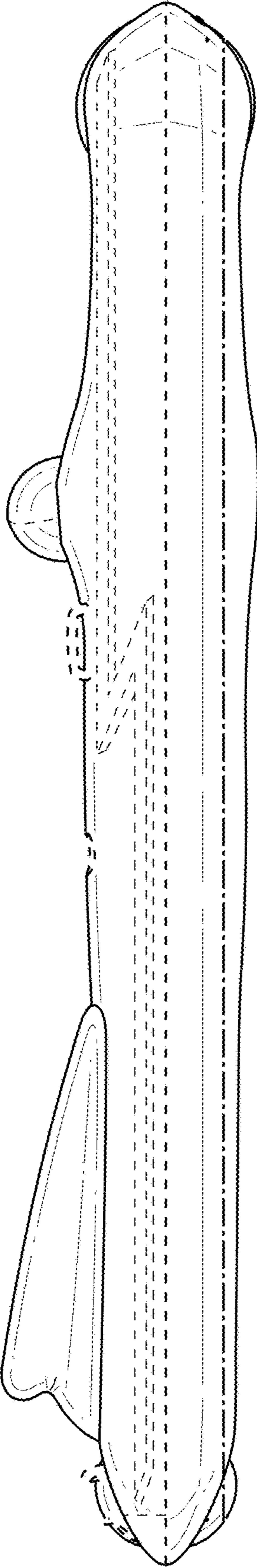


FIG. 5

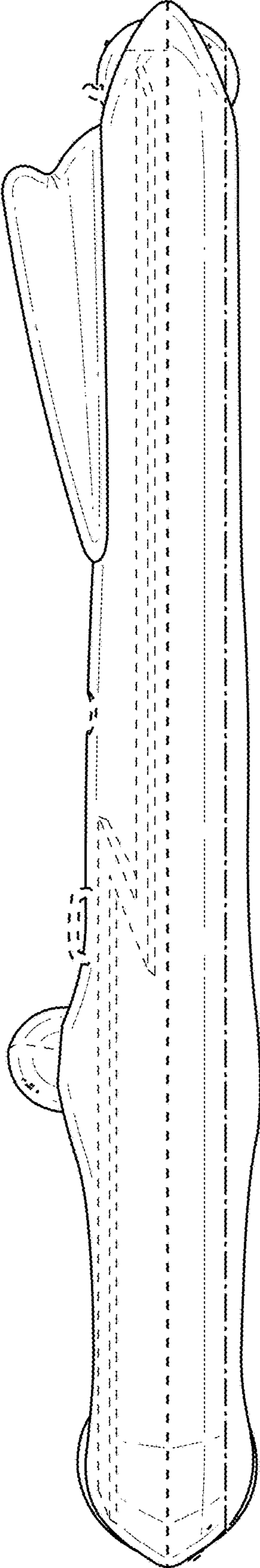


FIG. 6

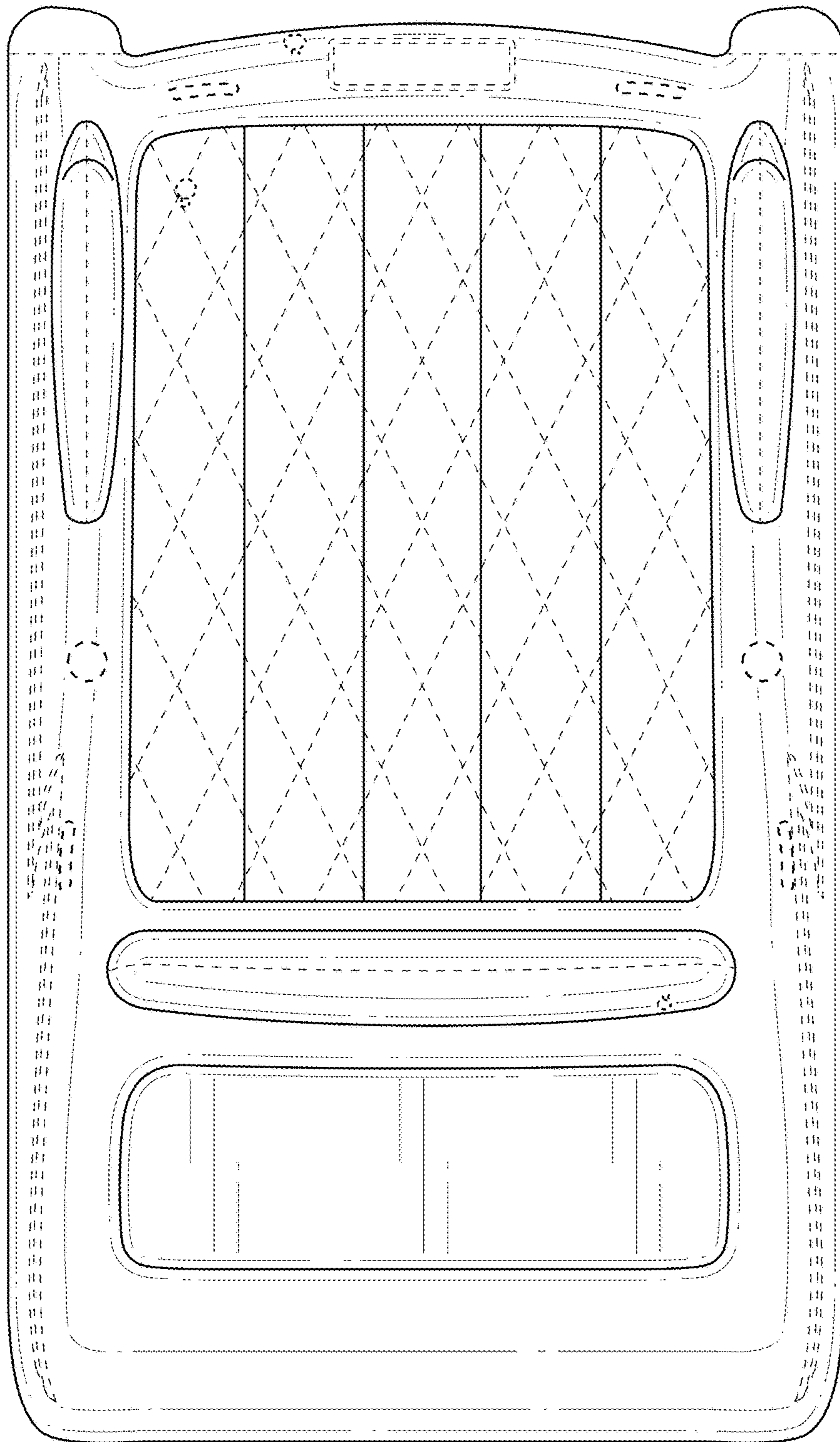


FIG. 7

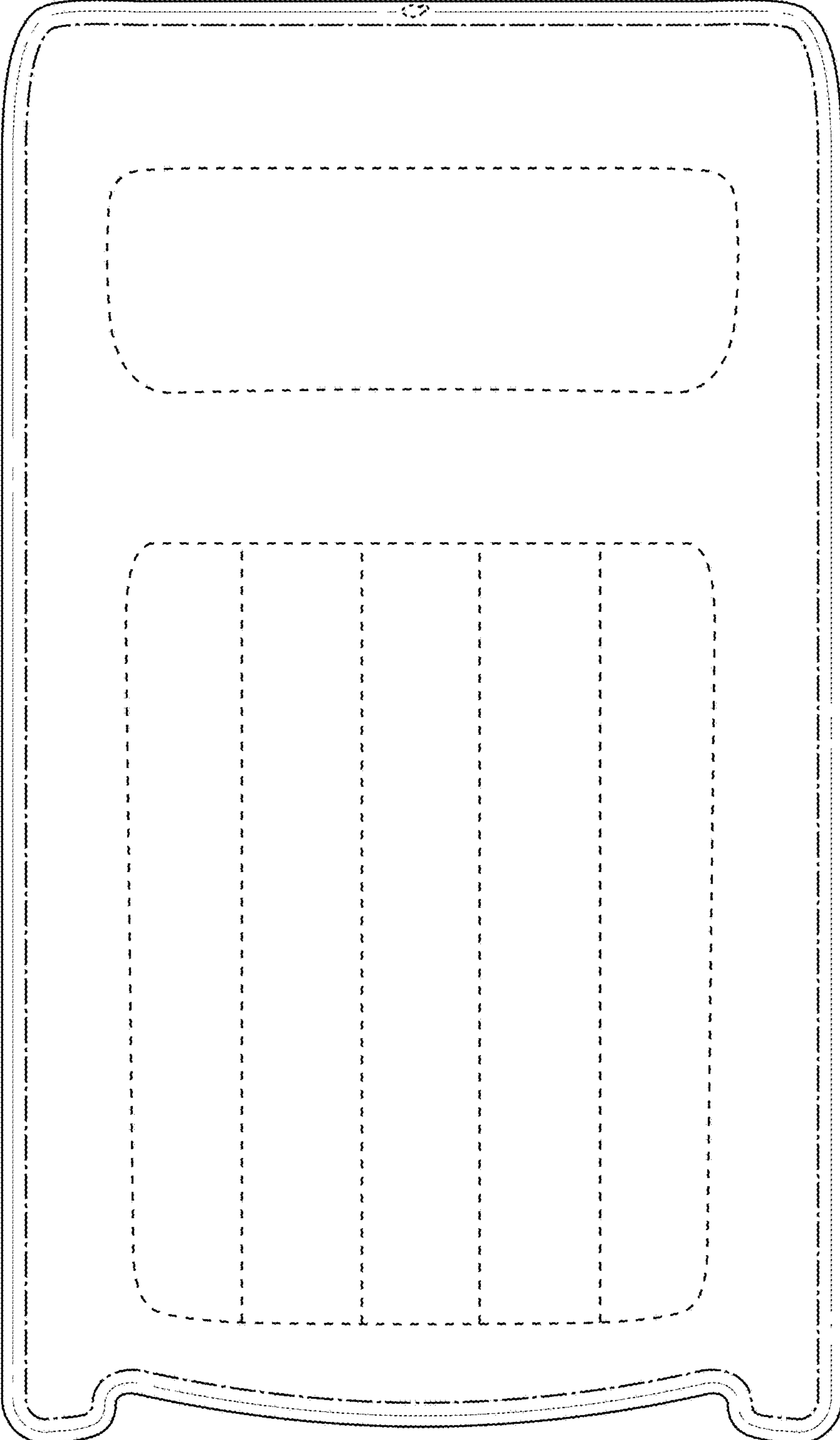


FIG. 8

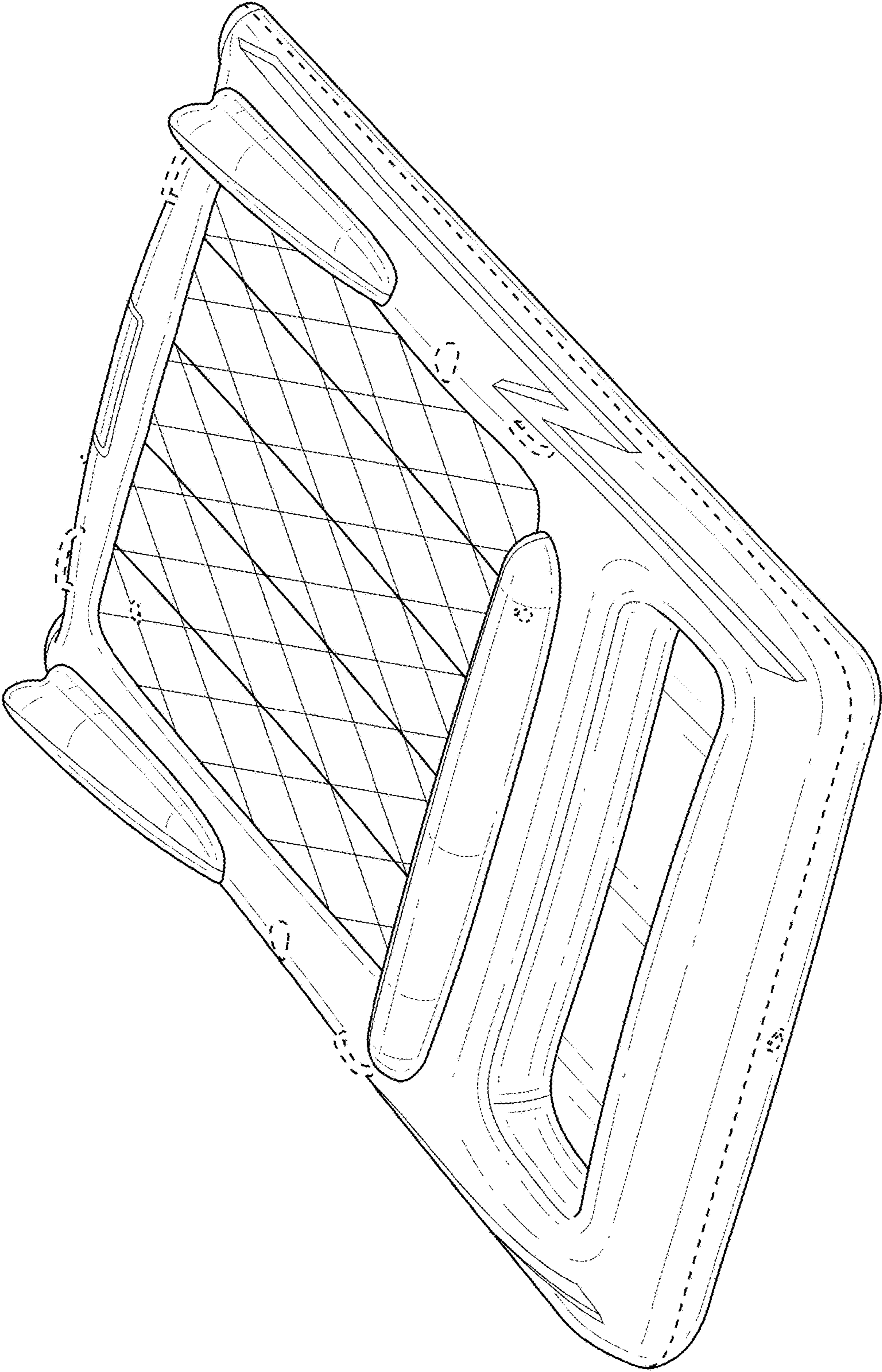


FIG. 9

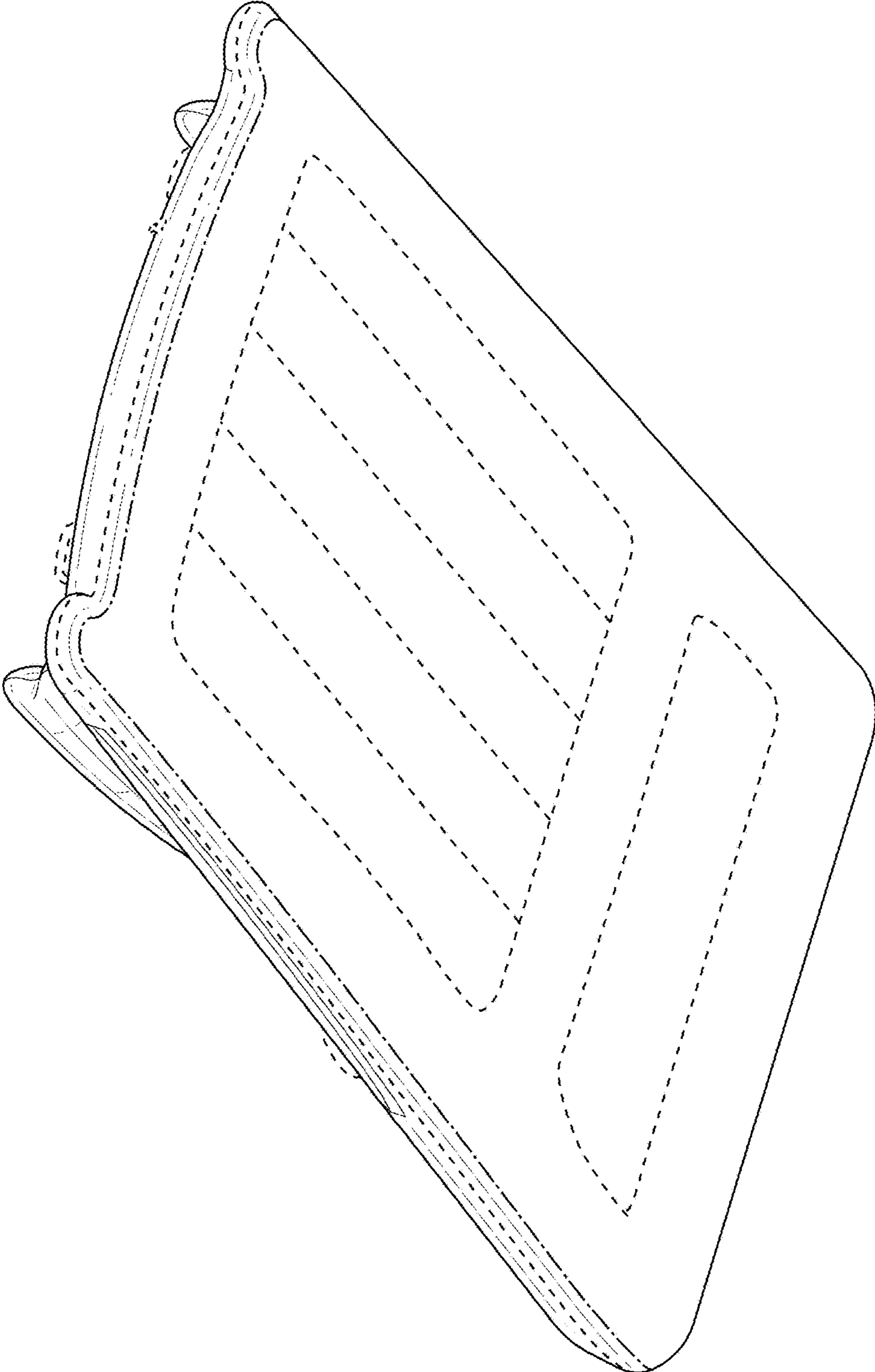


FIG. 10

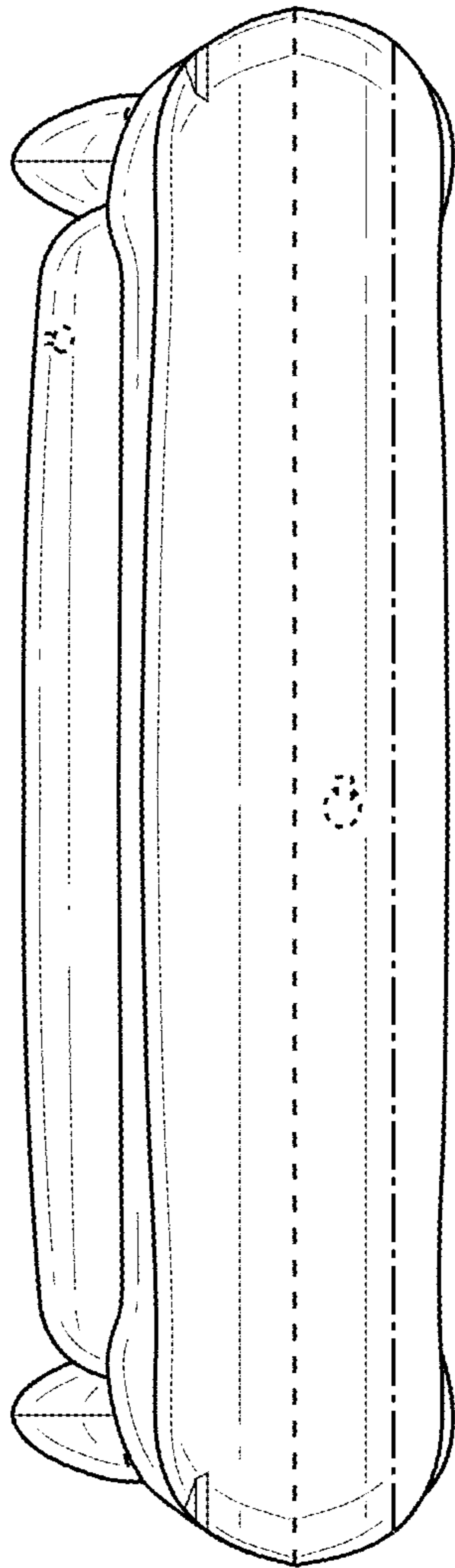


FIG. 11

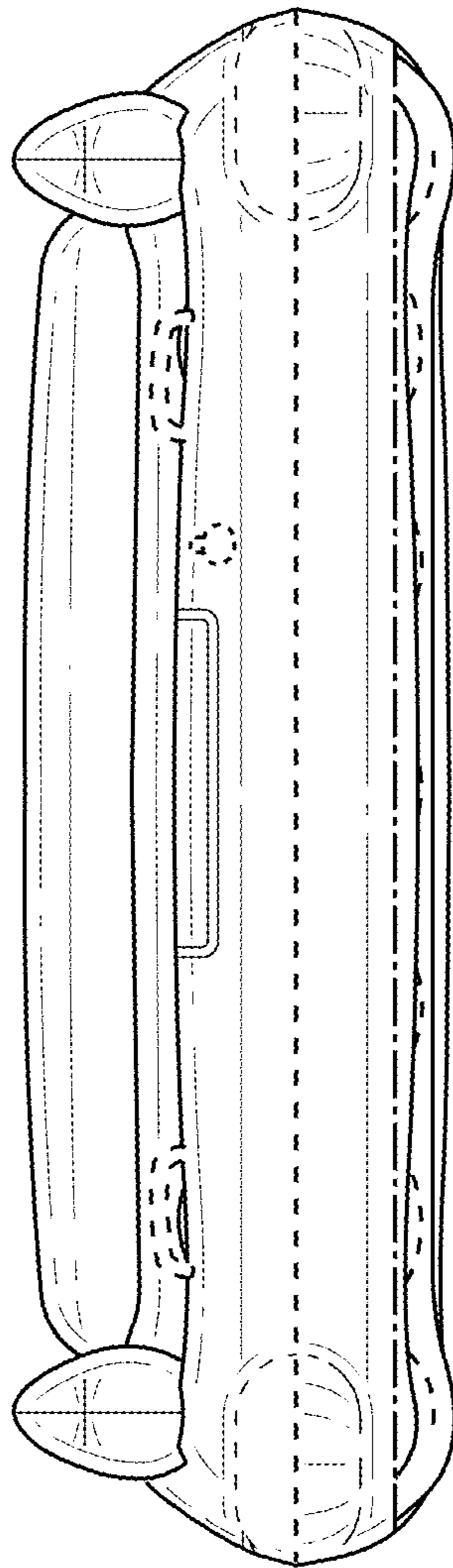


FIG. 12

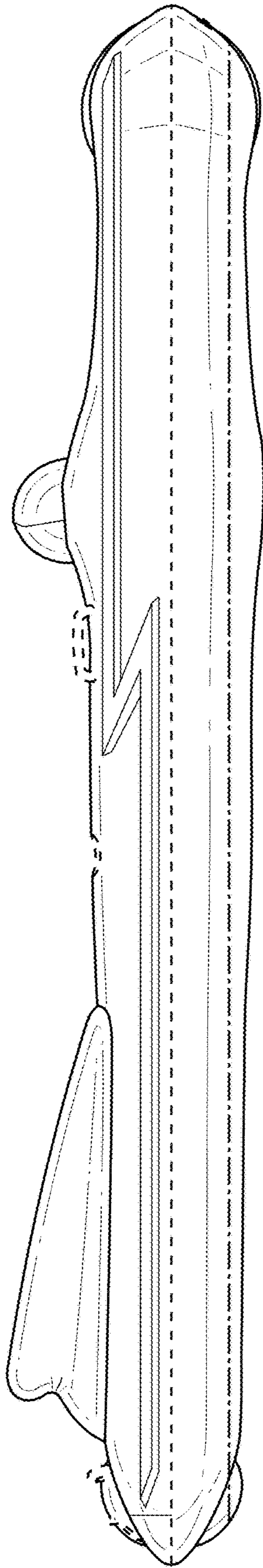


FIG. 13

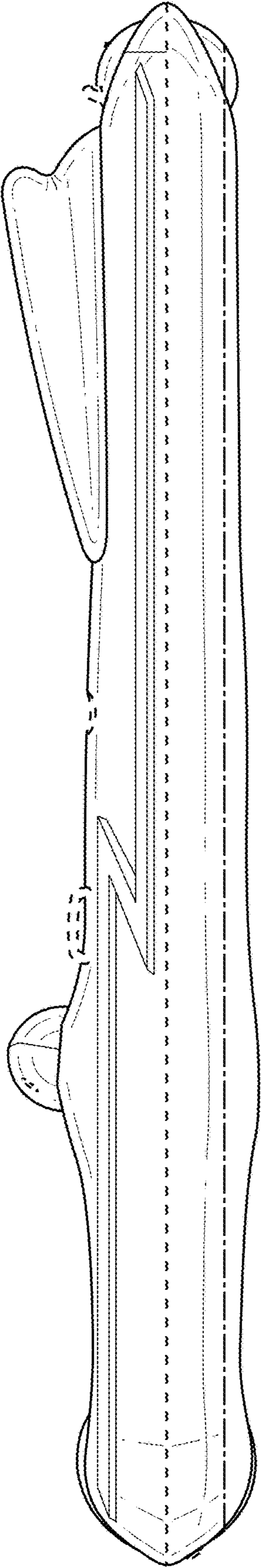


FIG. 14

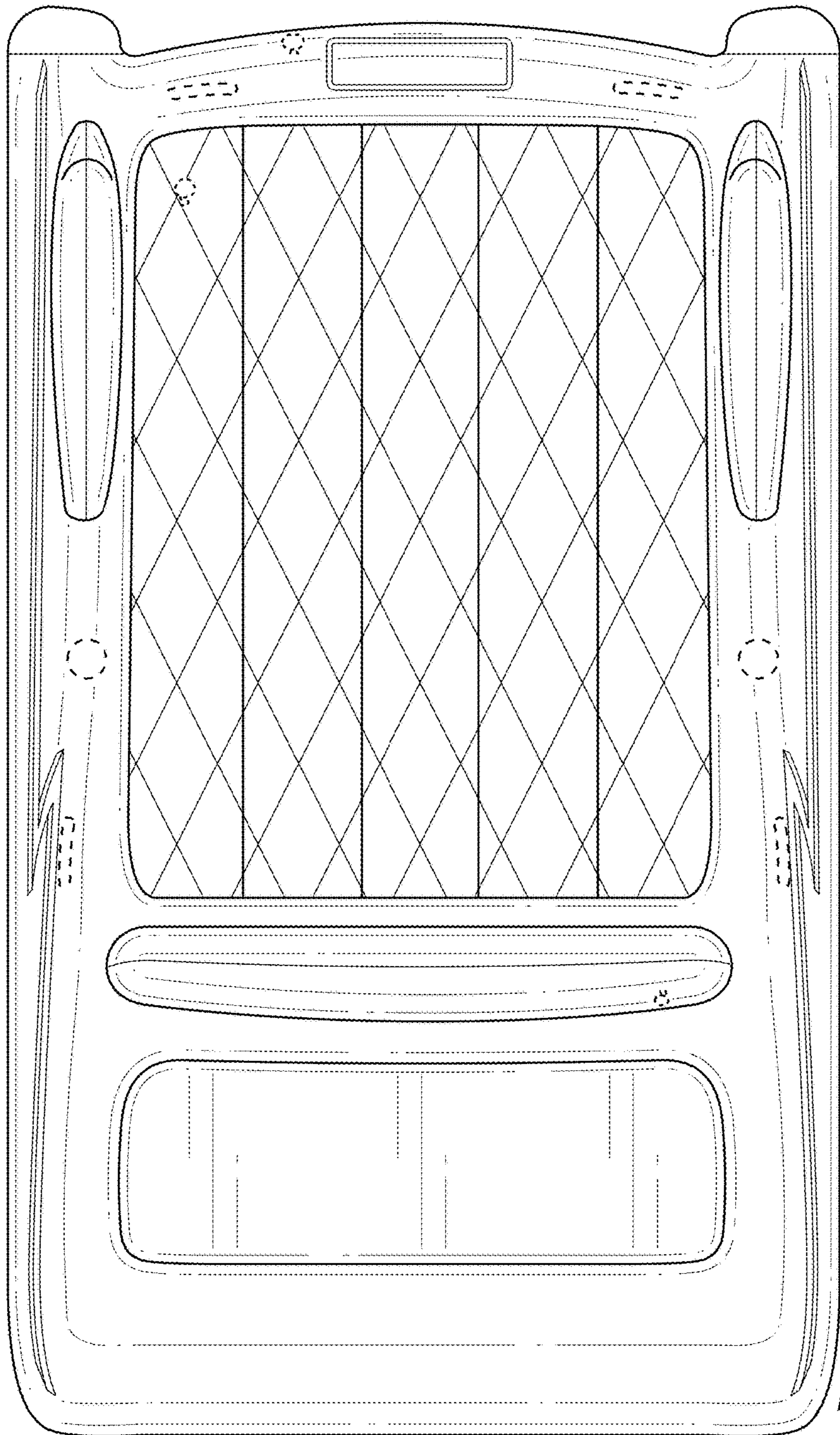


FIG. 15

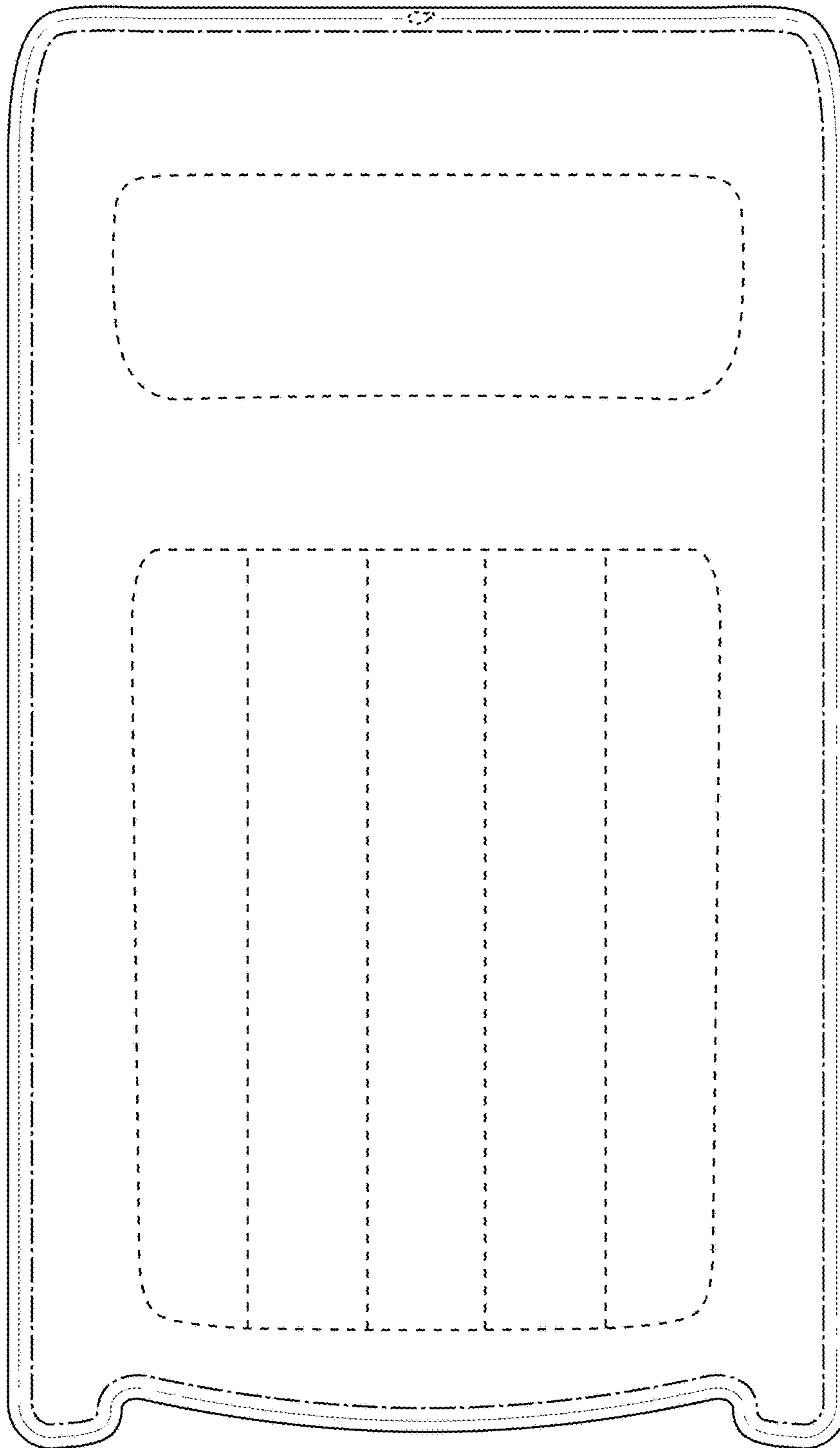


FIG. 16