



US00D860364S

(12) **United States Design Patent** (10) **Patent No.:** **US D860,364 S**
Seagram et al. (45) **Date of Patent:** **** Sep. 17, 2019**

(54) **GOLF CLUB HEAD**
(71) Applicant: **DUNLOP SPORTS CO. LTD.**,
Kobe-shi, Hyogo (JP)
(72) Inventors: **Phillip Seagram**, Long Beach, CA
(US); **Mika Becktor**, New York, NY
(US); **Keith Dolezel**, Franklin, NY (US)

(73) Assignee: **SUMITOMO RUBBER
INDUSTRIES, LTD.**, Kobe (JP)

(**) Term: **15 Years**

(21) Appl. No.: **29/644,029**

(22) Filed: **Apr. 13, 2018**

(51) **LOC (12) Cl.** **21-02**

(52) **U.S. Cl.**
USPC **D21/759; D21/747**

(58) **Field of Classification Search**
USPC **D21/747-751, 759**
CPC **A63B 53/00; A63B 53/02; A63B 53/04;
A63B 53/047; A63B 53/0475; A63B
2053/0479; A63B 2053/0483; A63B
2053/0445; A63B 60/00; A63B 60/46**
See application file for complete search history.

(56) **References Cited**

U.S. PATENT DOCUMENTS

D215,608 S * 10/1969 Lysaght D21/747
D346,840 S * 5/1994 Fenton D21/751
D395,476 S * 6/1998 Pond D21/747
6,093,113 A * 7/2000 Mertens A63B 53/04
473/328
D449,866 S * 10/2001 Miller D21/747

D457,211 S * 5/2002 Bakke D21/747
D503,201 S * 3/2005 Wood D21/747
D503,202 S * 3/2005 Wood D21/747
D503,203 S * 3/2005 Wood D21/747
D504,926 S * 5/2005 Nathanson D21/748
D589,106 S * 3/2009 Oldknow D21/759
D762,792 S * 8/2016 Oliveira D21/747
D773,574 S * 12/2016 Oliveira D21/747
D817,422 S * 5/2018 Noyes D21/759
D829,837 S * 10/2018 Wolfe D21/747

* cited by examiner

Primary Examiner — Mitchell I. Siegel

(74) *Attorney, Agent, or Firm* — Oliff PLC

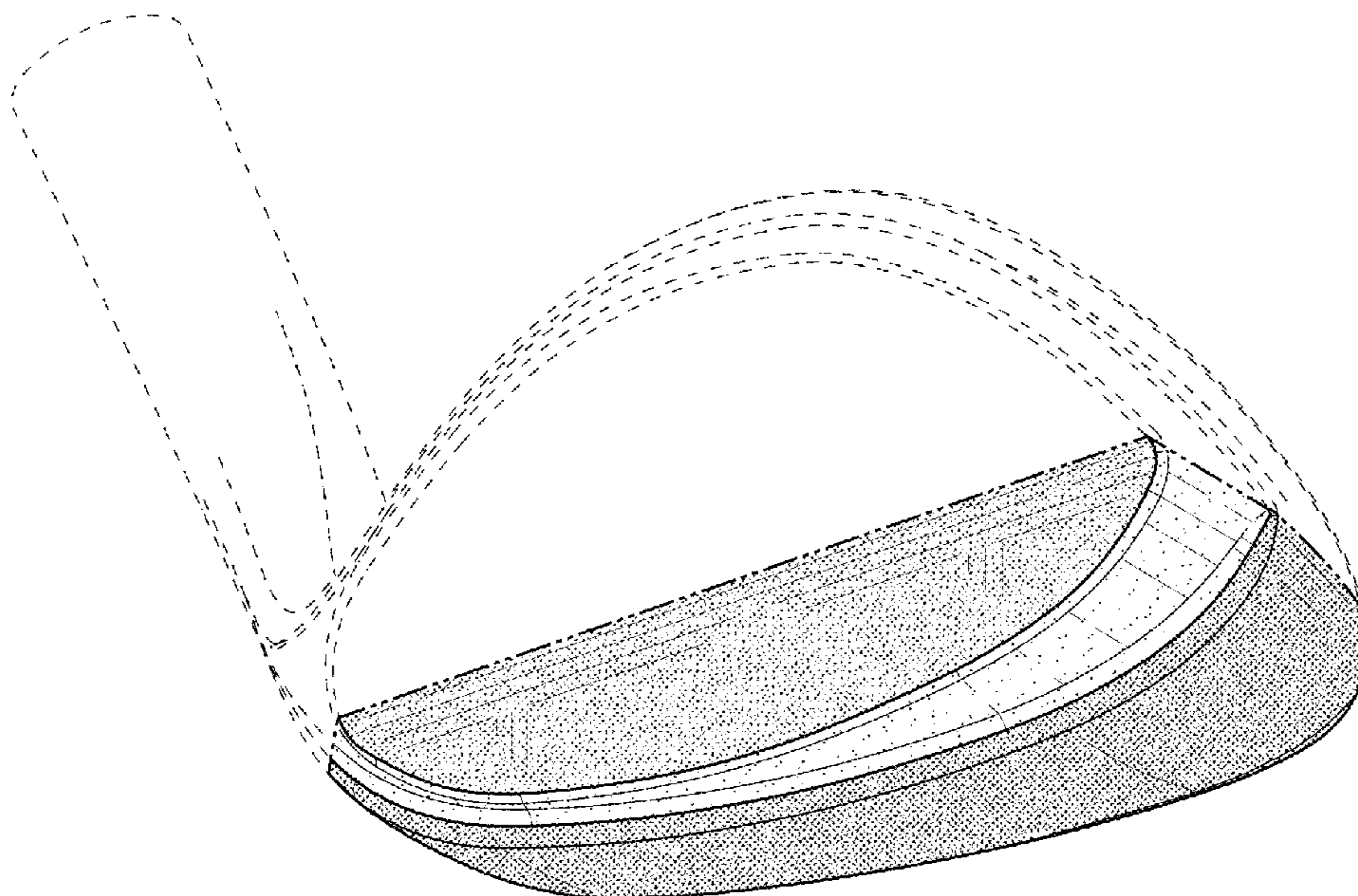
(57) **CLAIM**

The ornamental design for a golf club head, as shown and described.

DESCRIPTION

FIG. 1 is a rear, toe-side, bottom perspective view of the golf club head;
FIG. 2 is a rear, heel-side, bottom perspective view thereof;
FIG. 3 is a front elevational view thereof;
FIG. 4 is a rear elevational view thereof;
FIG. 5 is a top plan view thereof;
FIG. 6 is a bottom plan view thereof;
FIG. 7 is a toe-side elevational view thereof; and,
FIG. 8 is a heel-side elevational view thereof.
The broken lines depict portions of the golf club head that form no part of the claimed design. The dot-dash chain lines depict boundaries of the claimed design, and thus form no part of the claimed design. The three areas having respectively different density stippling depict areas that each has a contrasting appearance from the other of the areas having respectively different density stippling.

1 Claim, 7 Drawing Sheets



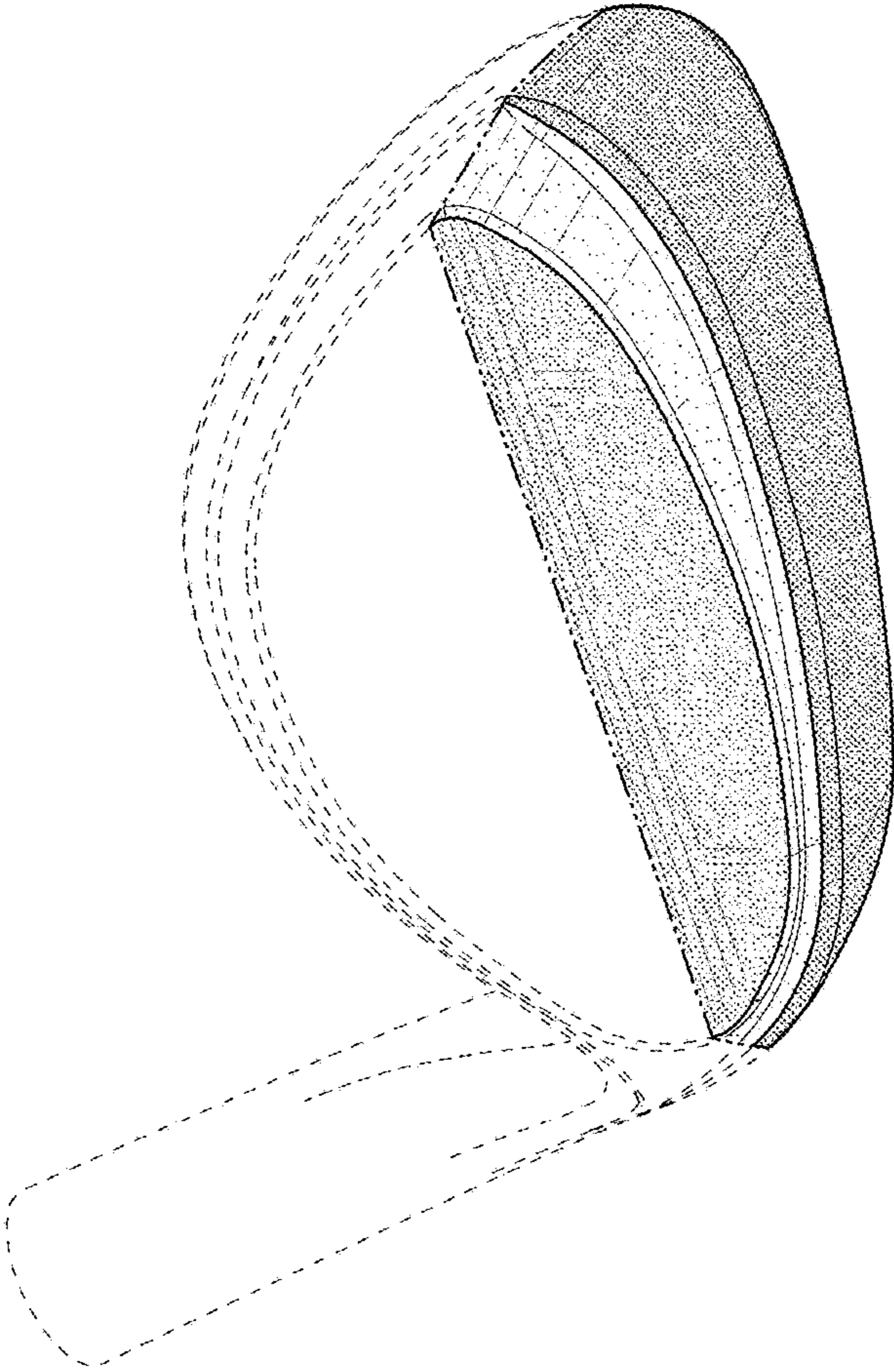


FIG. 1

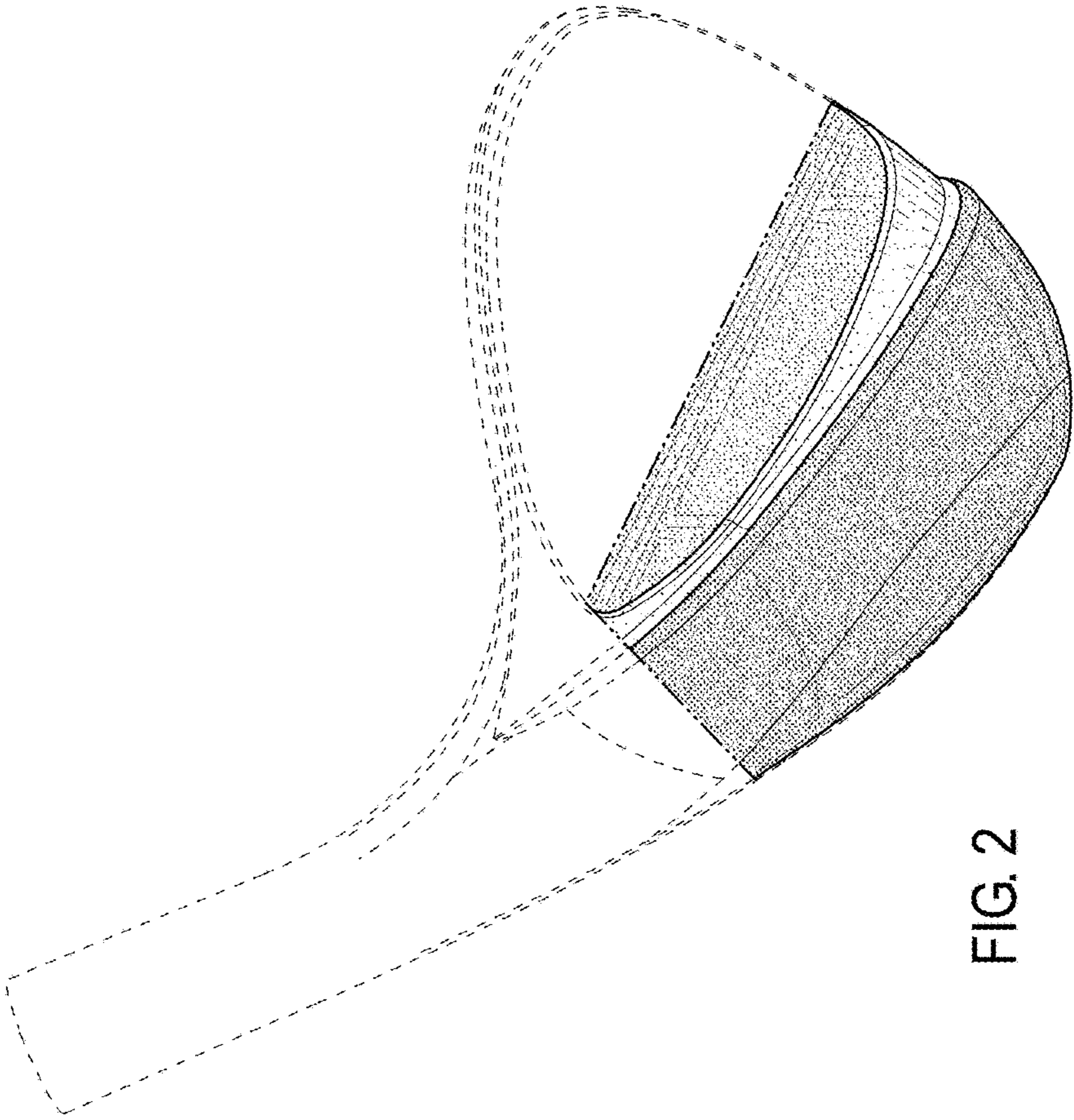


FIG. 2

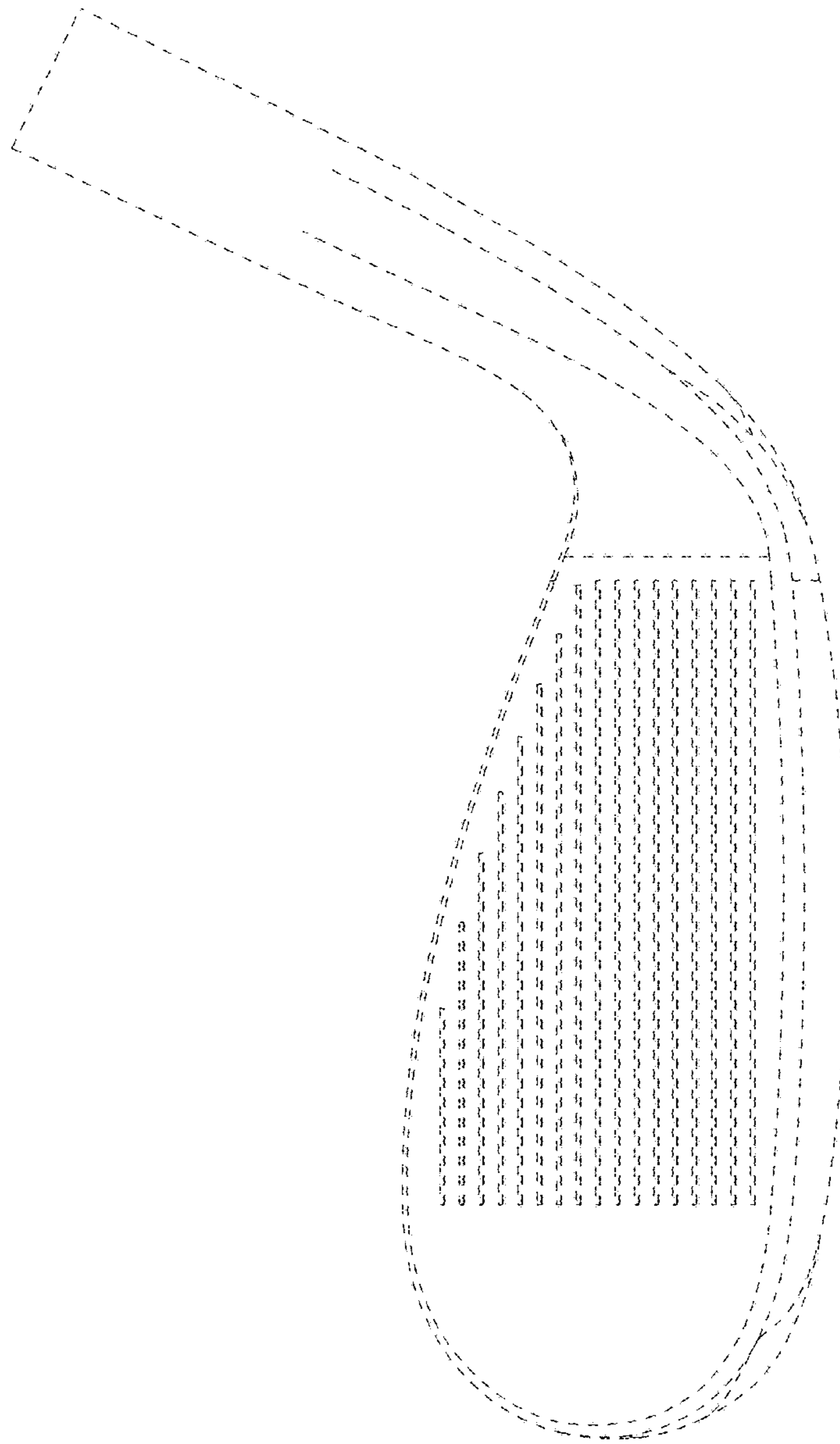


FIG. 3

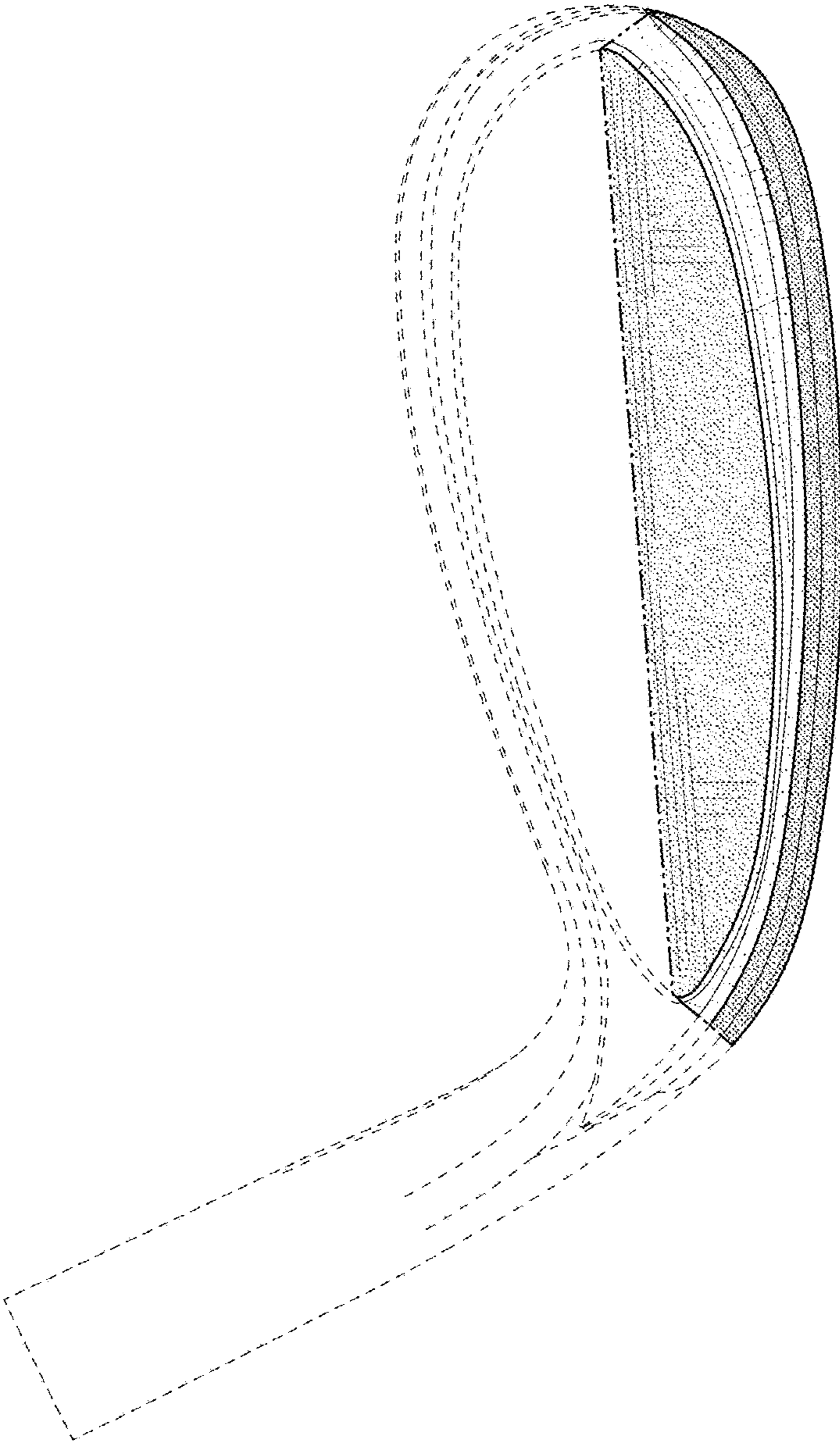


FIG. 4

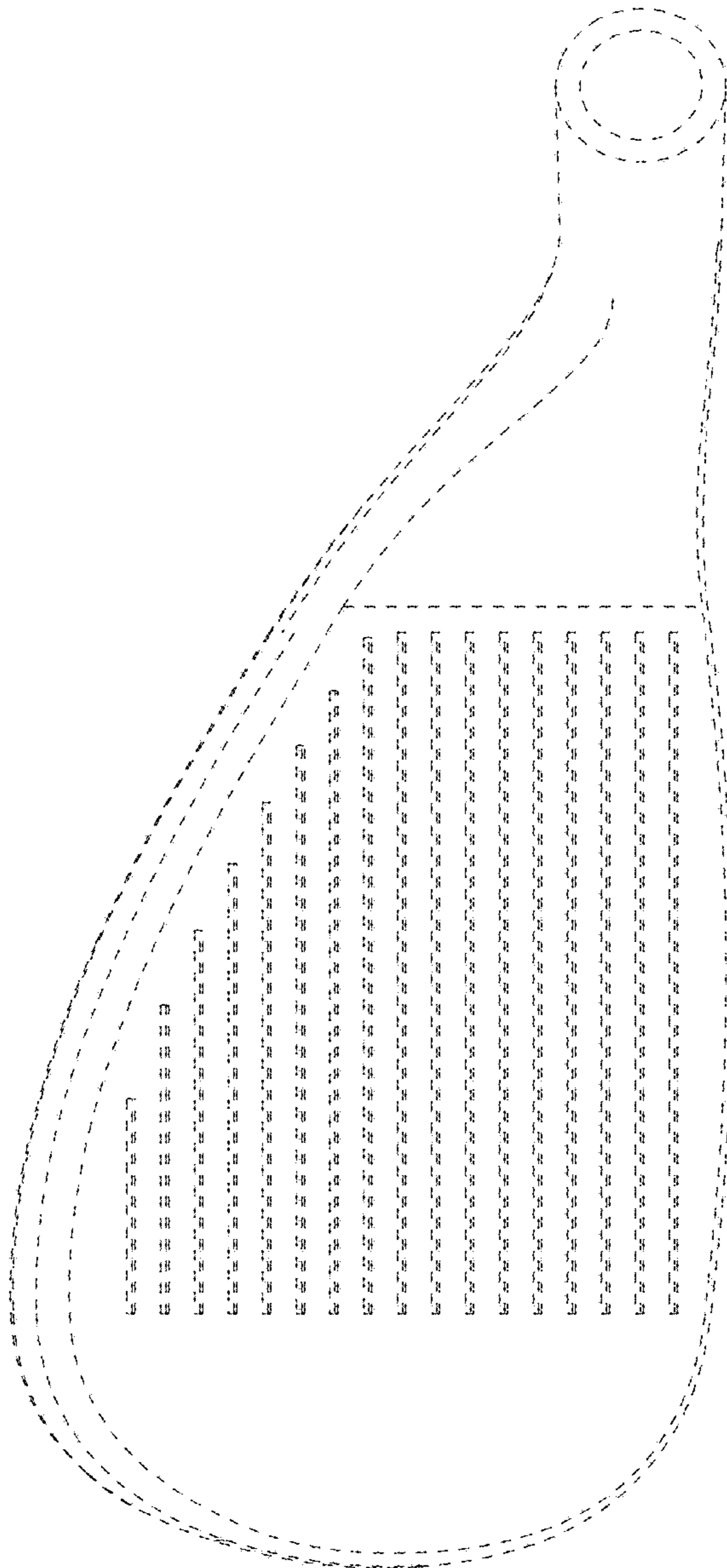


FIG. 5

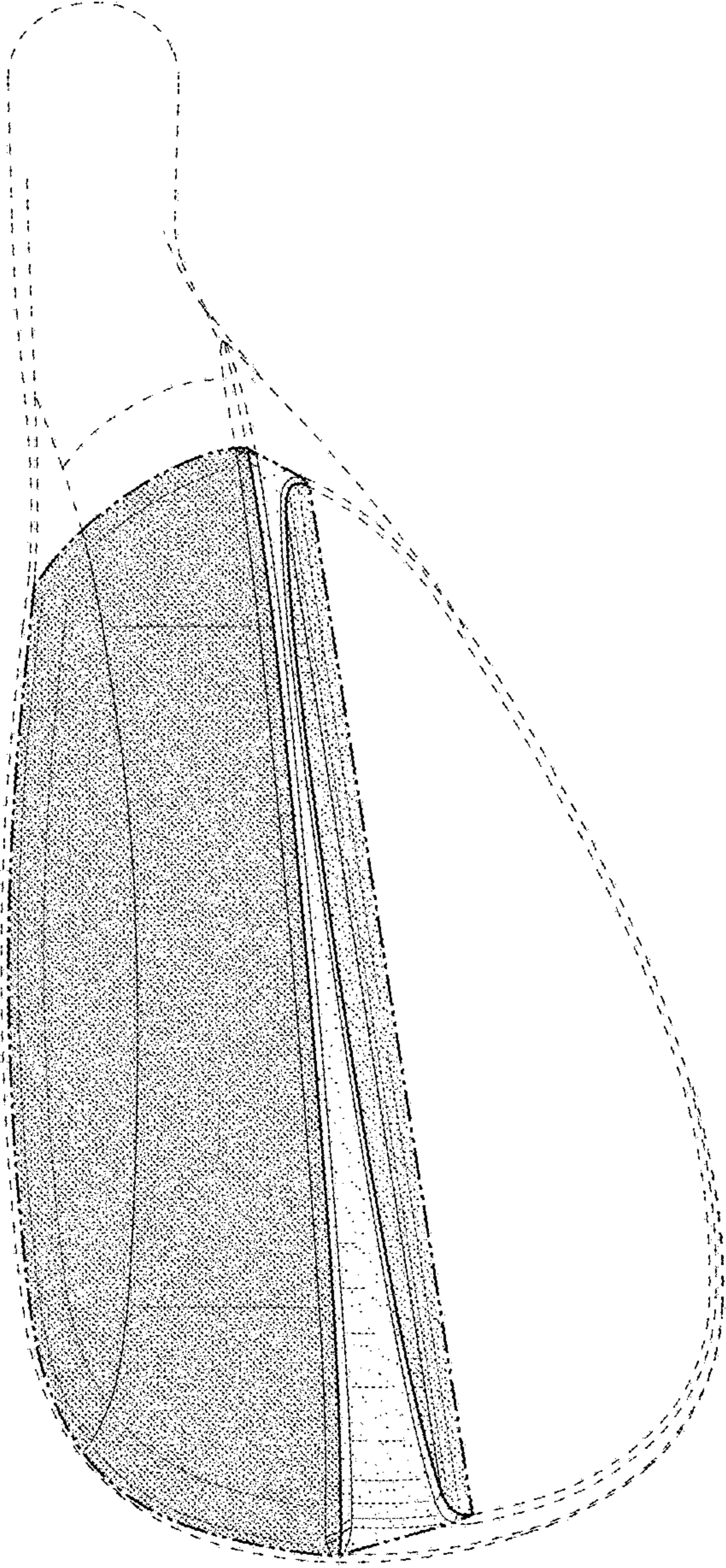


FIG. 6

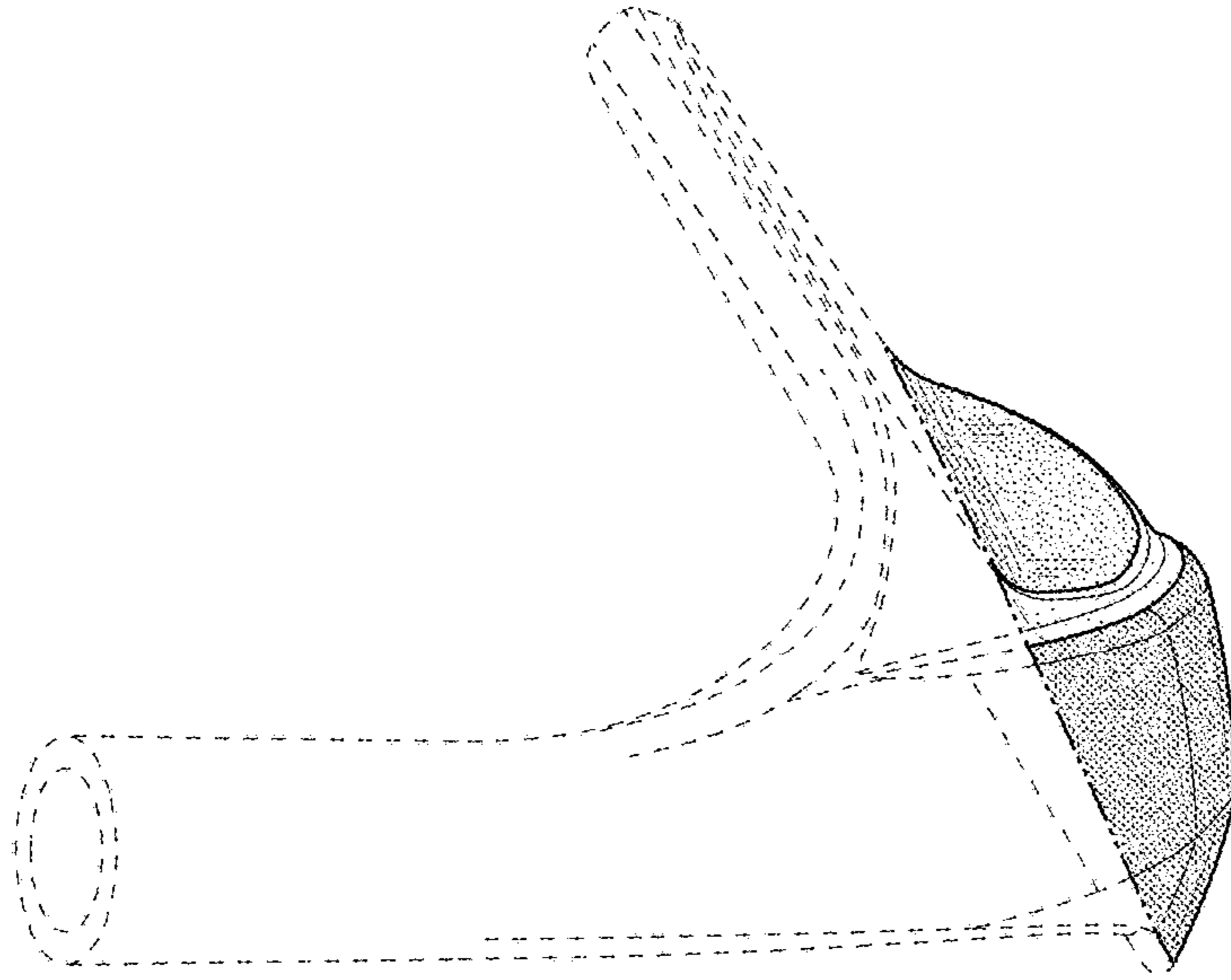


FIG. 8

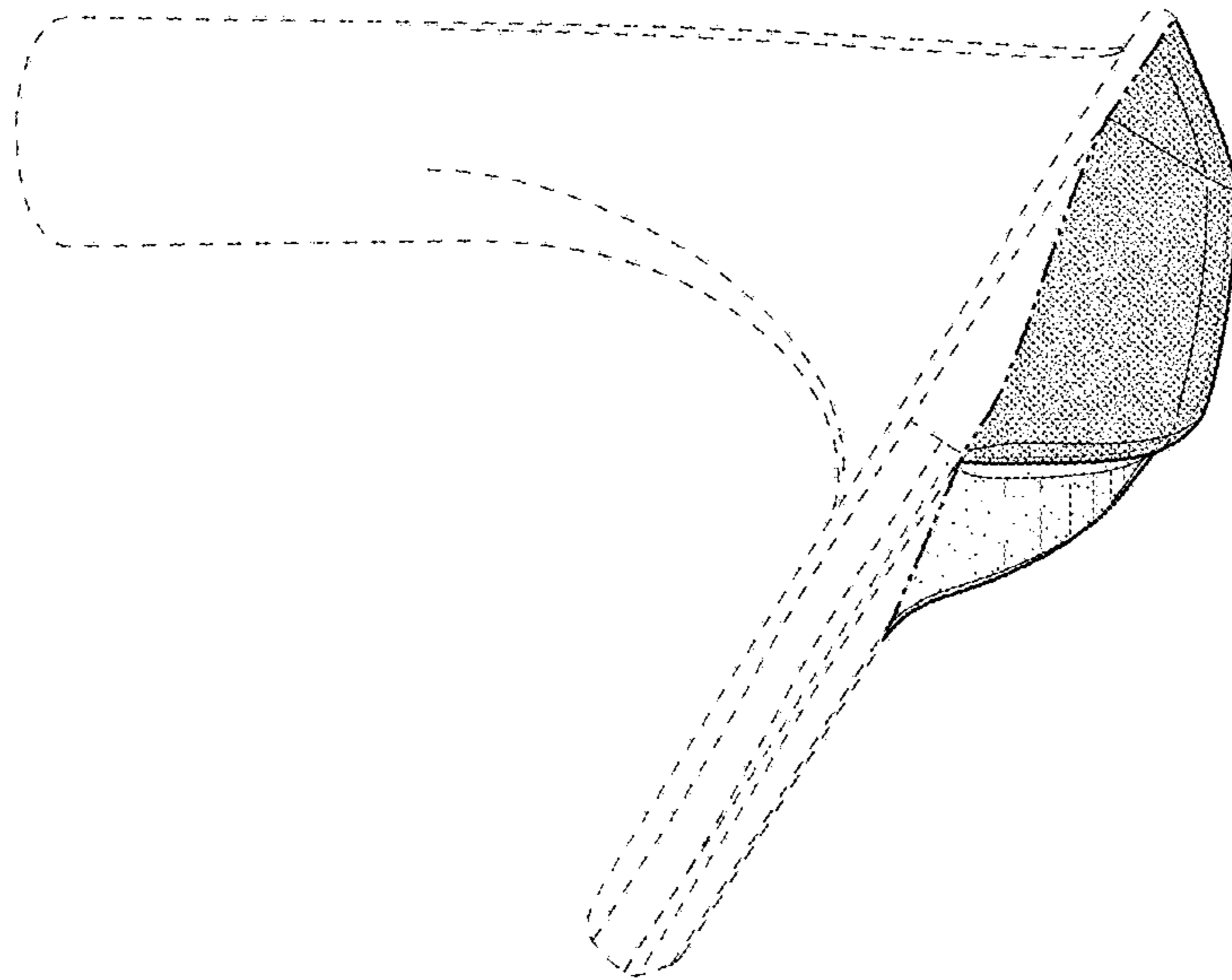


FIG. 7