

US00D860363S

(12) **United States Design Patent**  
**Harbert et al.**

(10) **Patent No.:** **US D860,363 S**

(45) **Date of Patent:** **\*\* Sep. 17, 2019**

(54) **GOLF CLUB HEAD**

D545,389 S \* 6/2007 Glod ..... D21/759  
D587,771 S \* 3/2009 Kuan ..... D21/759  
D619,668 S \* 7/2010 Nunez ..... D21/752

(Continued)

(71) Applicant: **Taylor Made Golf Company, Inc.**,  
Carlsbad, CA (US)

*Primary Examiner* — Mitchell I. Siegel

(72) Inventors: **Christopher J. Harbert**, Carlsbad, CA  
(US); **Nathan T. Sargent**, Oceanside,  
CA (US); **Justin D. Kleinert**, San  
Clemente, CA (US); **Todd P. Beach**,  
Encinitas, CA (US); **Brian Bazzel**,  
Carlsbad, CA (US); **Robert Nunez**,  
Vista, CA (US)

(74) *Attorney, Agent, or Firm* — Klarquist Sparkman LLP

(57) **CLAIM**

We claim the ornamental design for a golf club head, as  
shown and described.

**DESCRIPTION**

(73) Assignee: **Taylor Made Golf Company, Inc.**,  
Carlsbad, CA (US)

FIG. 1 is a perspective view of a golf club head, as viewed  
from the bottom and one side, according to one embodiment.  
FIG. 2 is a front elevation view of a golf club head of FIG.  
1.

(\*\*) Term: **15 Years**

FIG. 3 is a rear elevation view of the golf club head of FIG.  
1.

(21) Appl. No.: **29/636,168**

FIG. 4 is a side elevation view of a toe side of the golf club  
head of FIG. 1.

(22) Filed: **Feb. 6, 2018**

FIG. 5 is a side elevation view of a heel side of the golf club  
head of FIG. 1.

(51) **LOC (12) Cl.** ..... **21-02**

FIG. 6 is a top plan view of the golf club head of FIG. 1.

(52) **U.S. Cl.**

USPC ..... **D21/759**

FIG. 7 is a bottom plan view of the golf club head of FIG.  
1.

(58) **Field of Classification Search**

USPC ..... D21/733, 752, 759

CPC ..... A63B 53/00; A63B 53/04; A63B 53/0466;

A63B 2053/002; A63B 2053/0445; A63B

2053/0433; A63B 60/00; A63B 60/46;

A63B 2053/0491; A63B 2053/0437

See application file for complete search history.

FIG. 8 is a bottom plan view of the golf club head of FIG.  
1, the unclaimed moveable weight being shown in an  
alternate position.

FIG. 9 is a bottom plan view of the golf club head of FIG.  
1, the unclaimed moveable weight being shown in an  
alternate position.

FIG. 10 is a bottom plan view of the golf club head of FIG.  
1, the unclaimed moveable weight being shown in an  
alternate position; and,

FIG. 11 is a bottom plan view of the golf club head of FIG.  
1, the unclaimed moveable weight being shown in an  
alternate position.

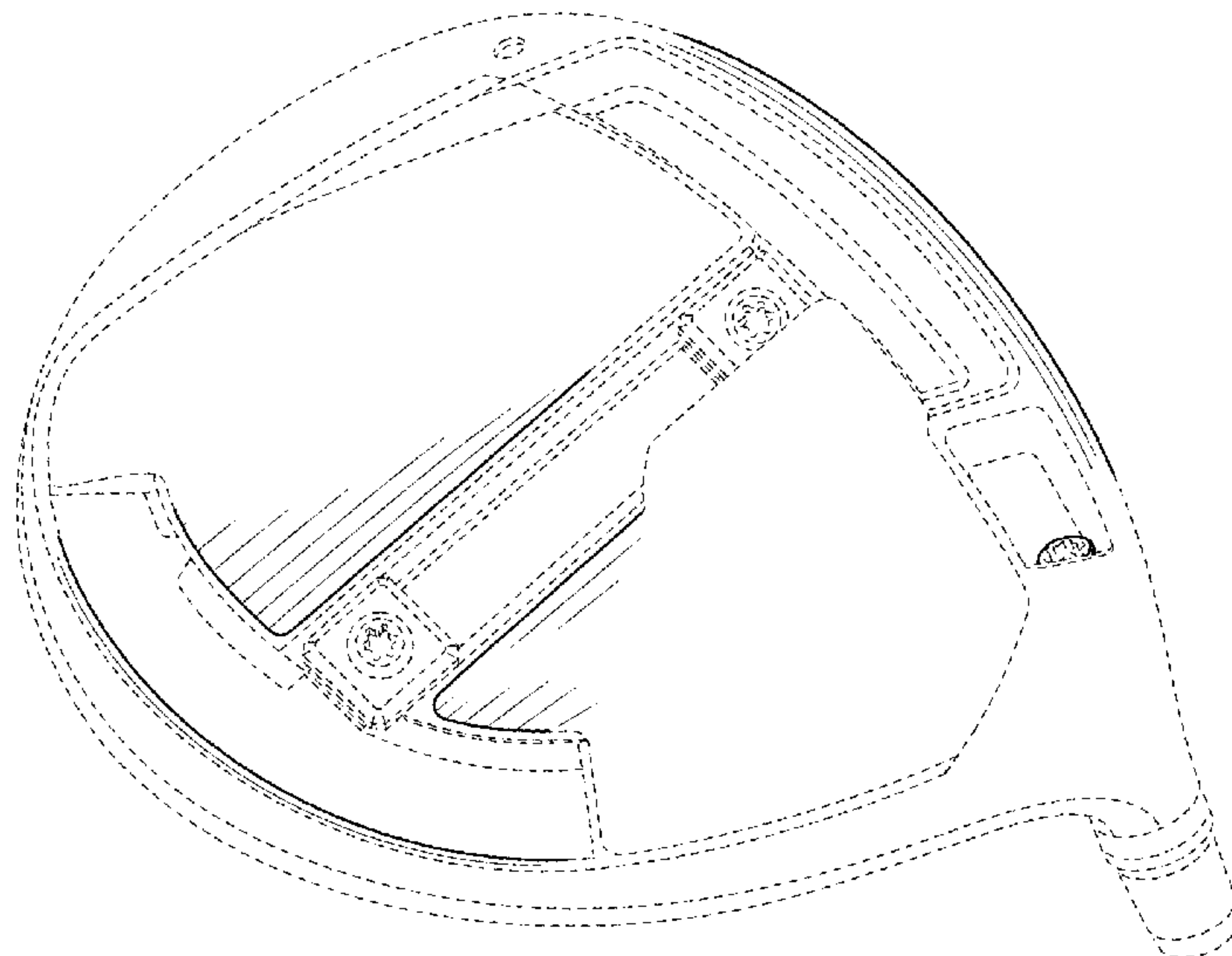
The dashed lines in the drawings are for purposes of  
illustrating environmental structure as well as portions of the  
design that form no part of the present claimed design.

(56) **References Cited**

**U.S. PATENT DOCUMENTS**

4,867,458 A	9/1989	Sumikawa et al.
5,769,737 A	6/1998	Holladay
6,123,627 A	9/2000	Antonious
6,126,556 A	10/2000	Hsieh
6,379,264 B1	4/2002	Forzano
6,749,523 B1	6/2004	Forzano

**1 Claim, 8 Drawing Sheets**



(56)

References Cited

U.S. PATENT DOCUMENTS

D622,343	S *	8/2010	Khan .....	D21/759
D627,024	S *	11/2010	Kuan .....	D21/759
D661,751	S *	6/2012	Nicolette .....	D21/752
D675,272	S *	1/2013	Greensmith .....	D21/759
D684,229	S *	6/2013	Curtis .....	D21/752
D686,679	S *	7/2013	Greensmith .....	D21/759
D692,077	S *	10/2013	Greensmith .....	D21/759
D708,280	S *	7/2014	Sargent .....	D21/759
D708,687	S *	7/2014	Vrska .....	D21/759
D709,150	S *	7/2014	Day .....	D21/752
D709,571	S *	7/2014	Sargent .....	D21/759
D709,572	S *	7/2014	Sargent .....	D21/759
D713,901	S *	9/2014	Vrska .....	D21/759
9,180,349	B1 *	11/2015	Seluga .....	A63B 53/04
D770,584	S *	11/2016	Sargent .....	D21/759
D782,590	S *	3/2017	Sargent .....	D21/759
D791,258	S *	7/2017	Tang .....	D21/759
9,764,210	B2 *	9/2017	Curtis .....	A63B 53/06
D813,965	S *	3/2018	Sargent .....	D21/759
D825,699	S *	8/2018	Sillies .....	D21/759
10,207,160	B2 *	2/2019	Johnson .....	A63B 53/0466
2006/0122004	A1 *	6/2006	Chen .....	A63B 53/0466
				473/335
2014/0080628	A1 *	3/2014	Sargent .....	A63B 53/0466
				473/336

\* cited by examiner

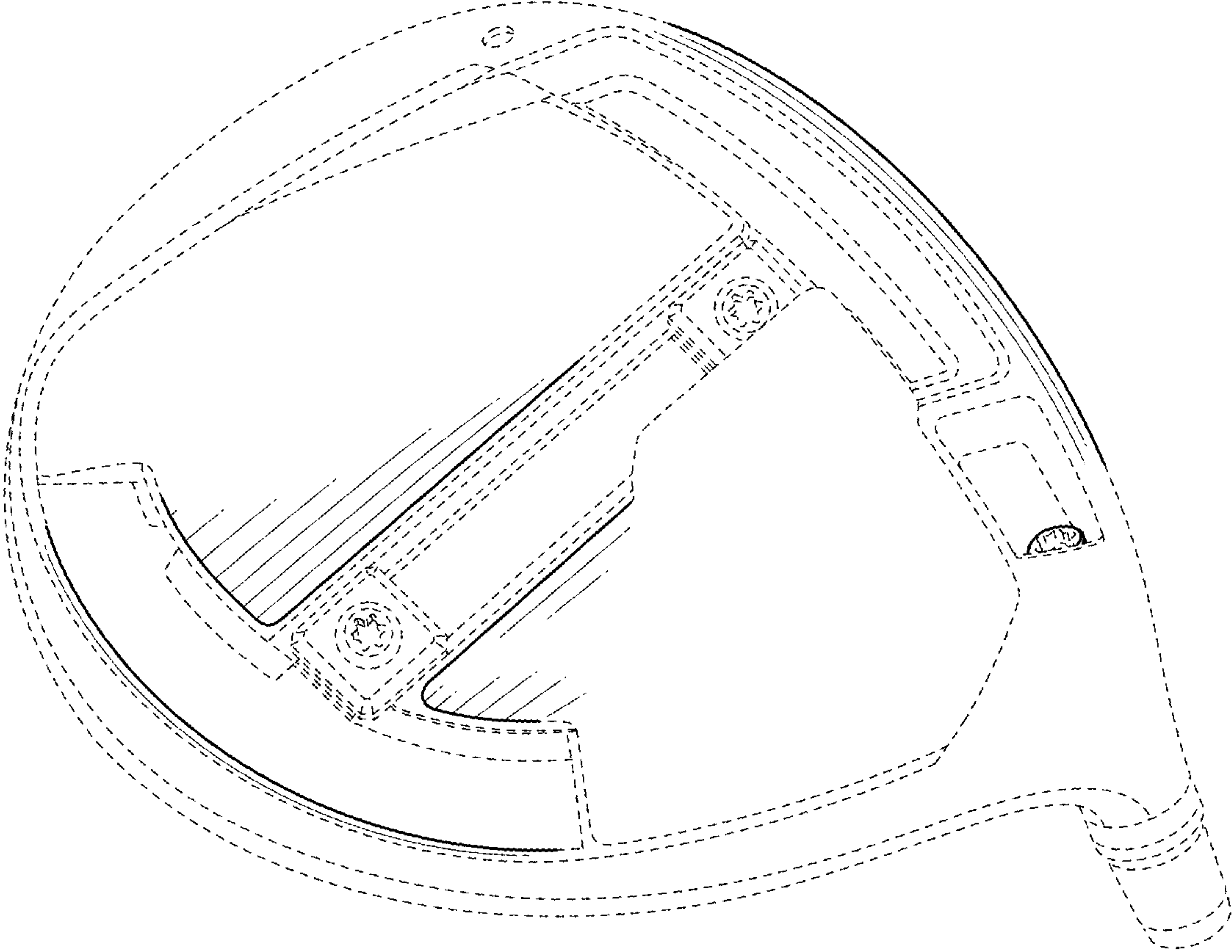


FIG. 1

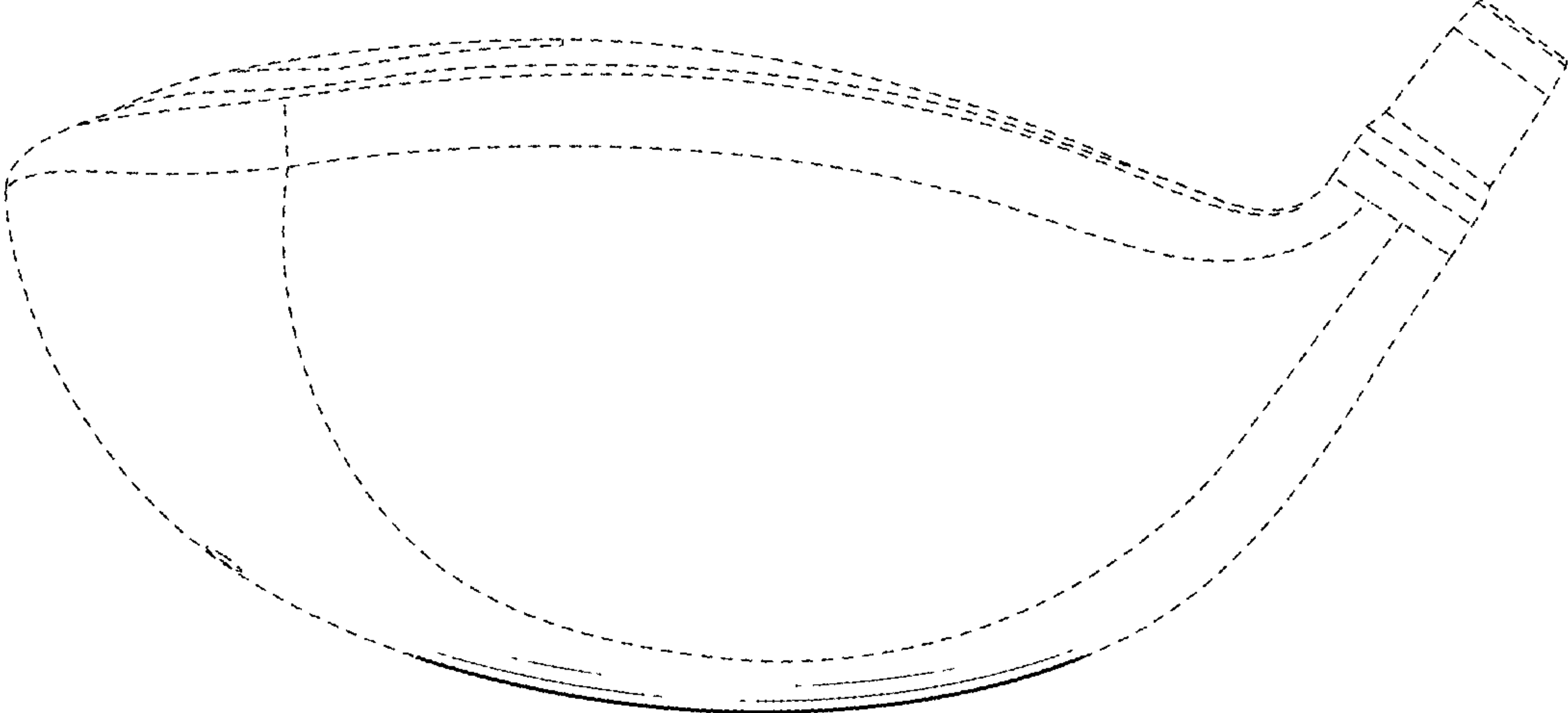


FIG. 2

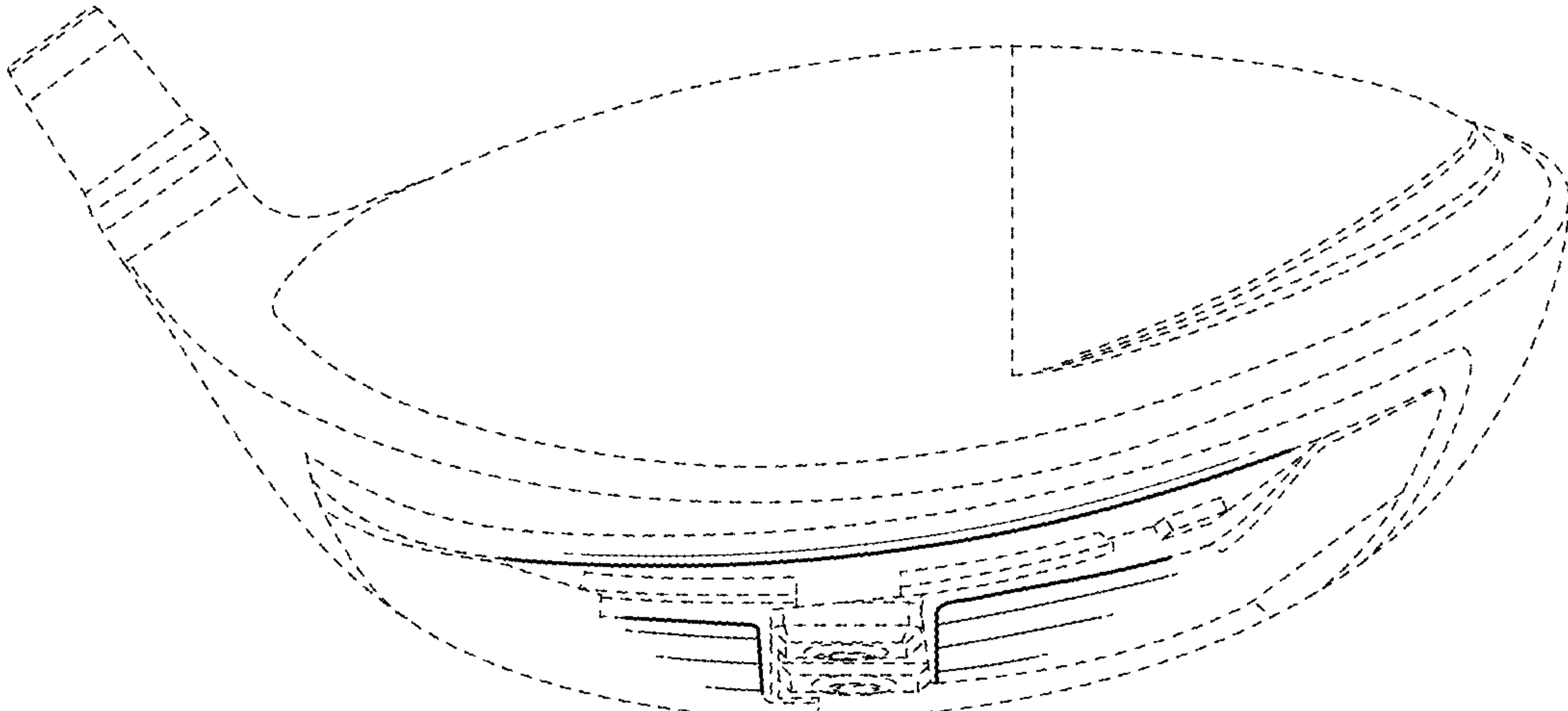


FIG. 3

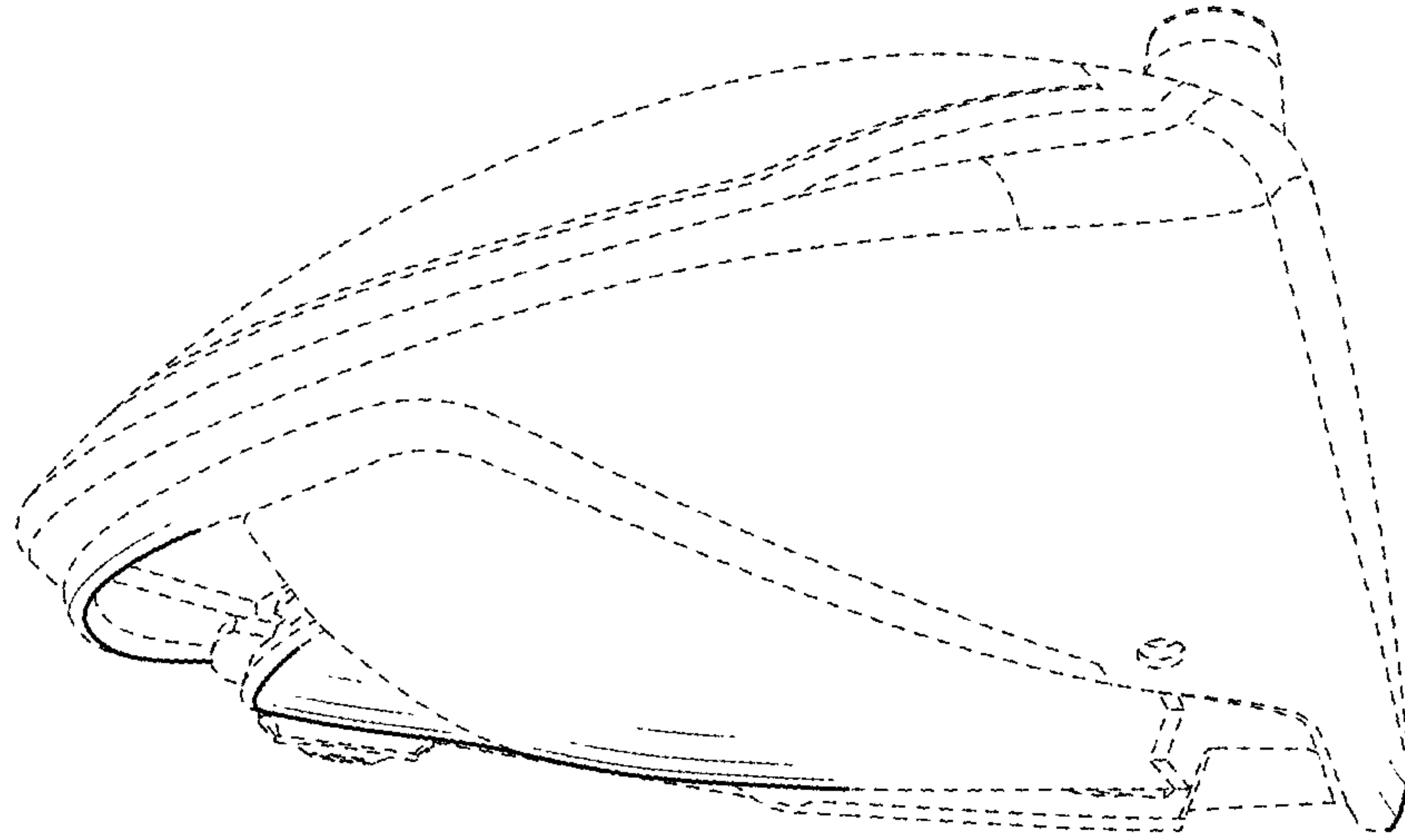


FIG. 4

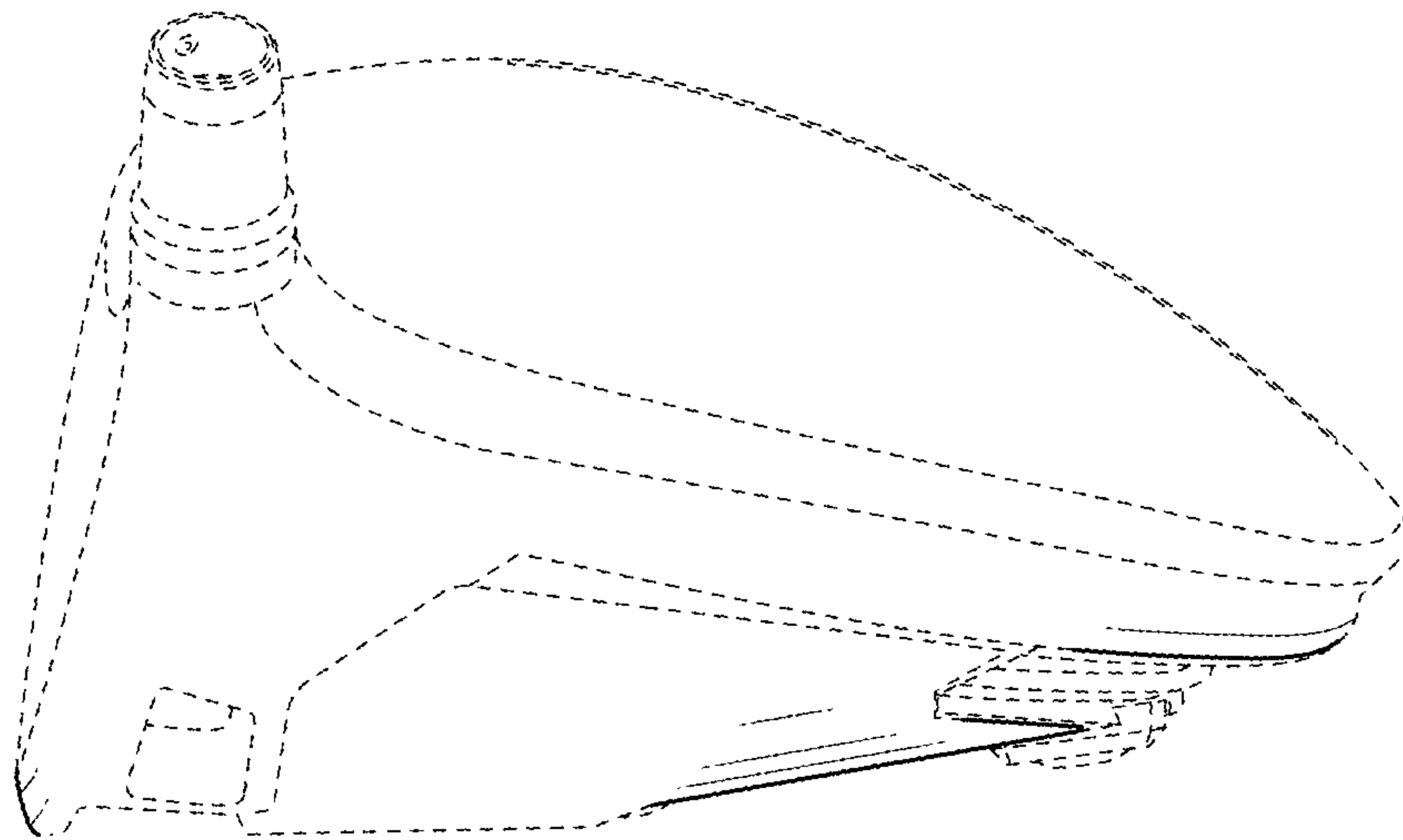


FIG. 5



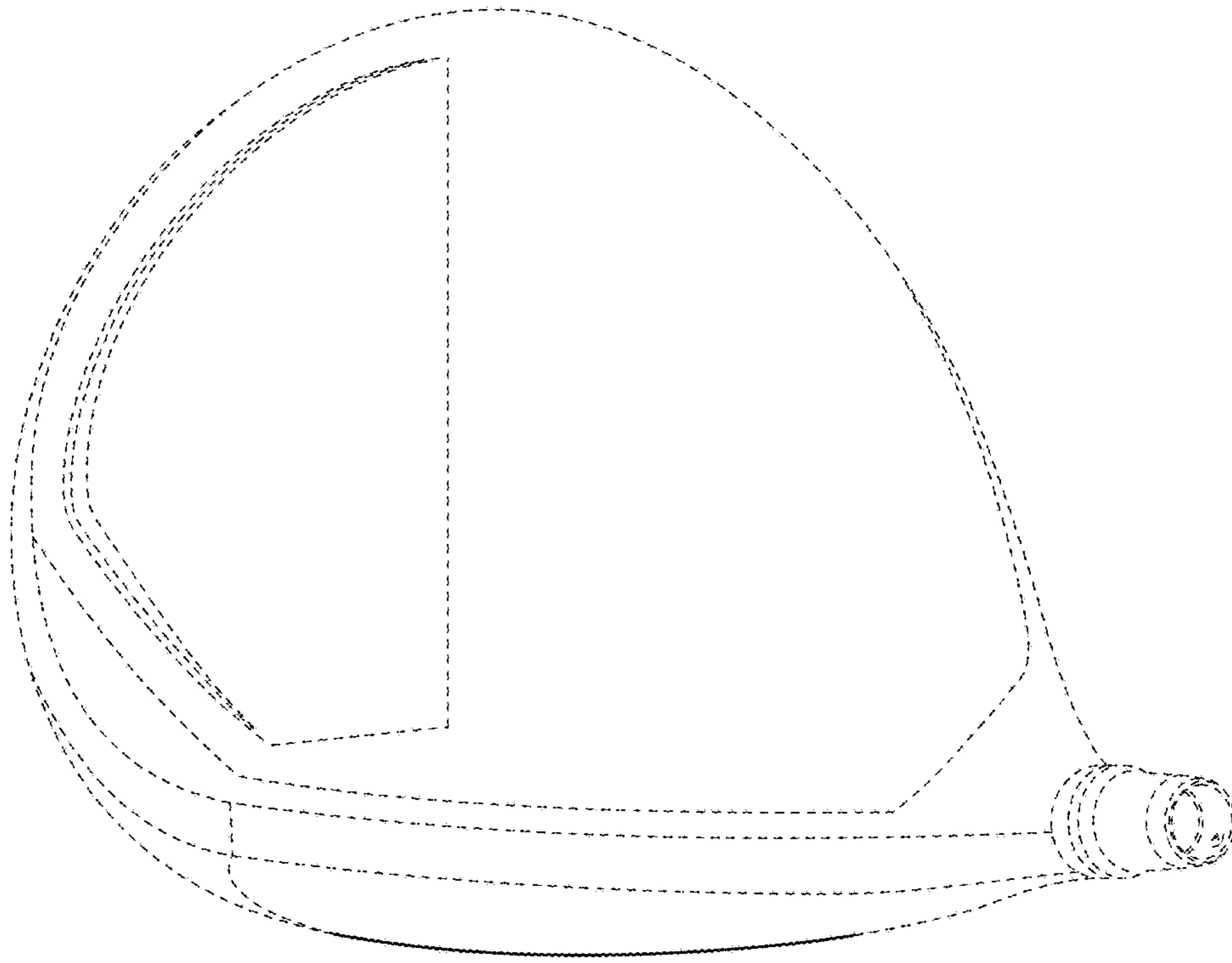


FIG. 6

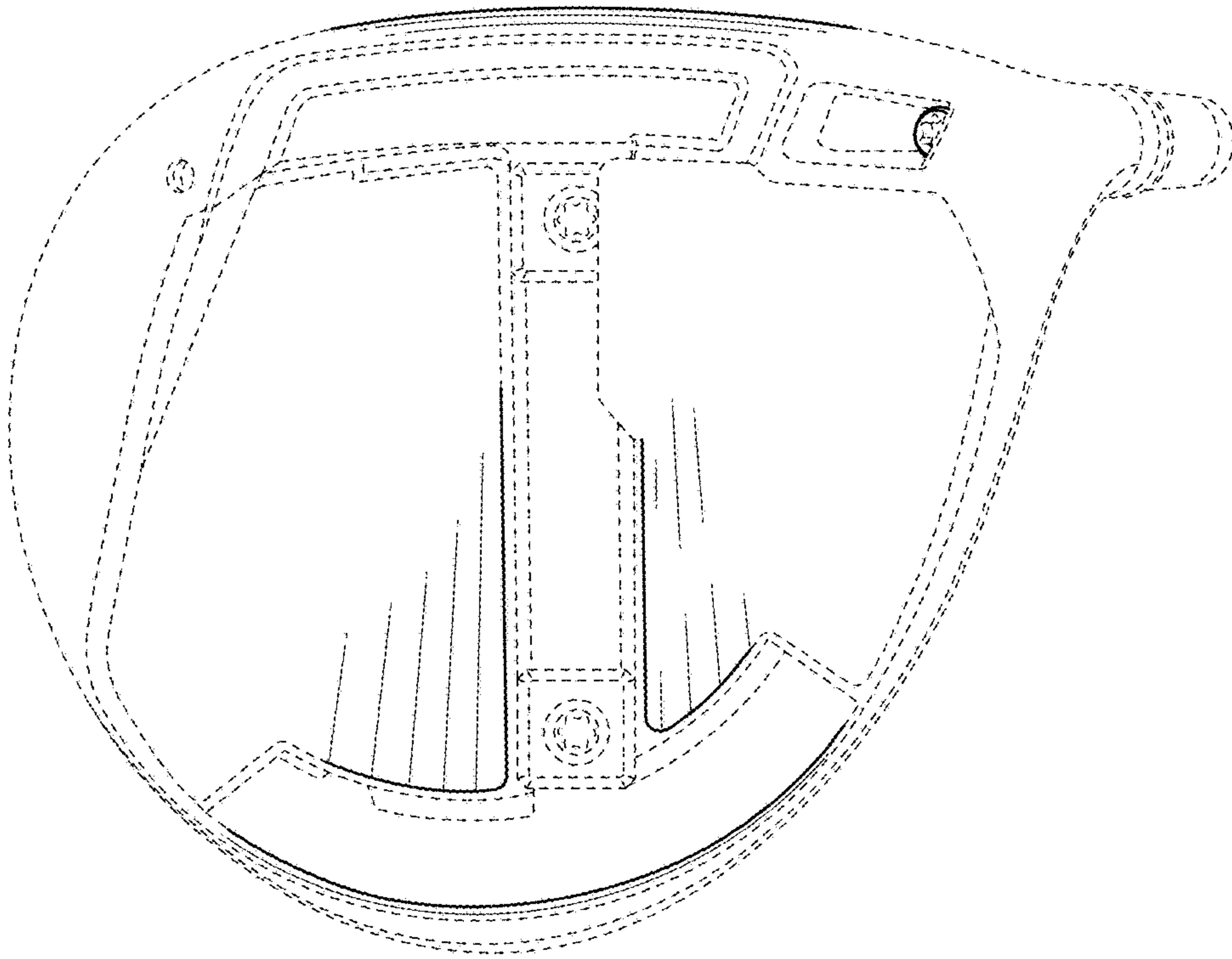


FIG. 7

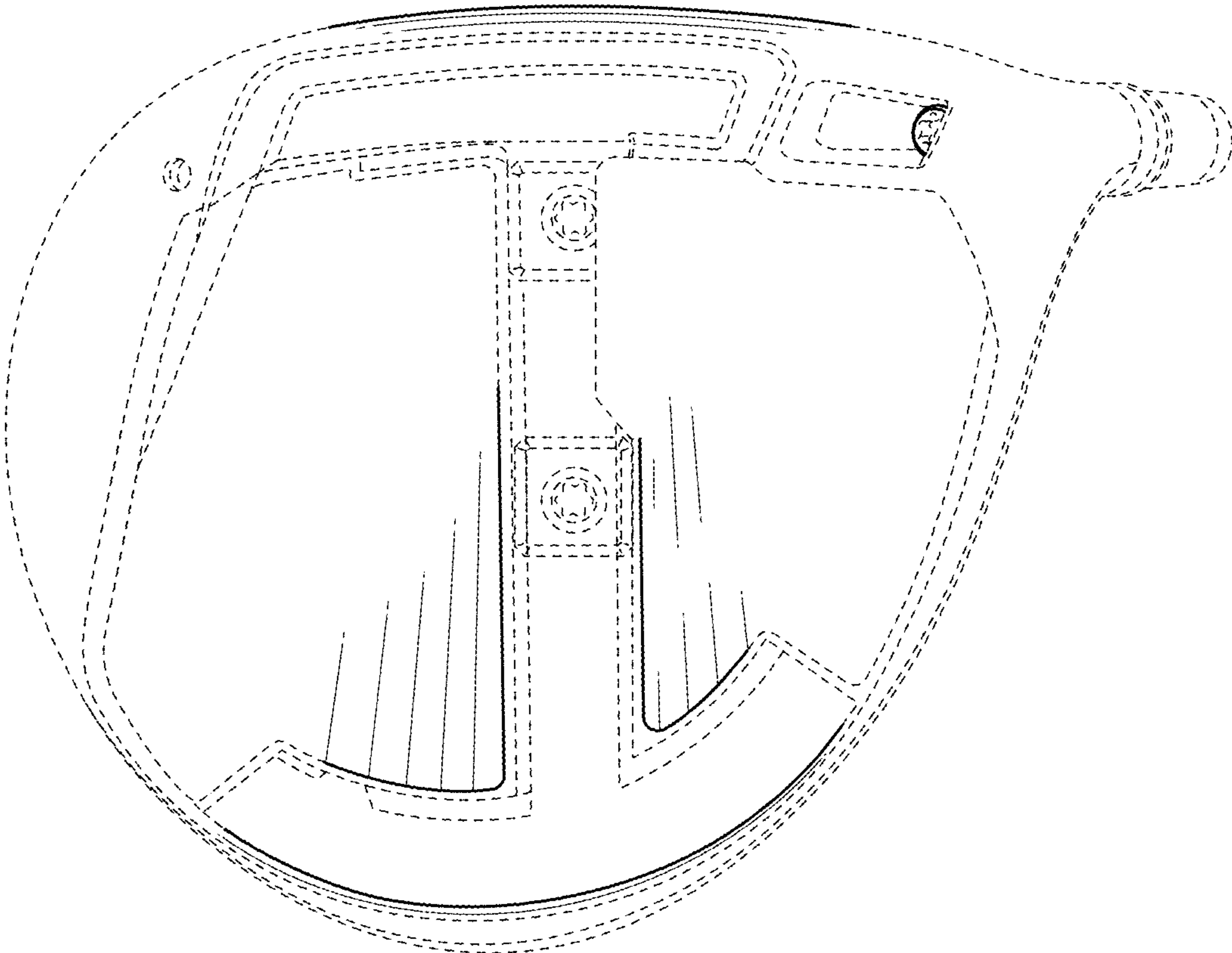


FIG. 8

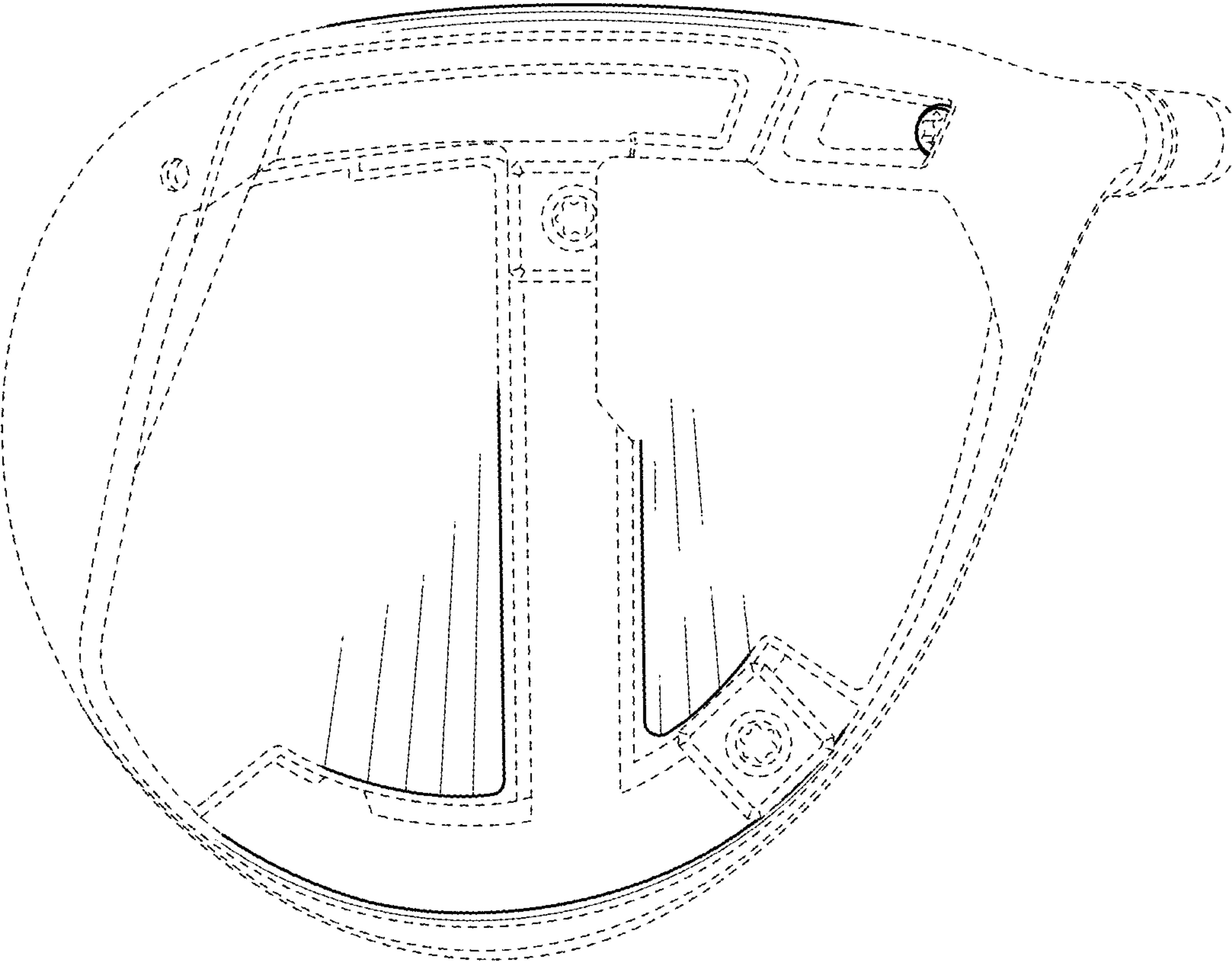


FIG. 9



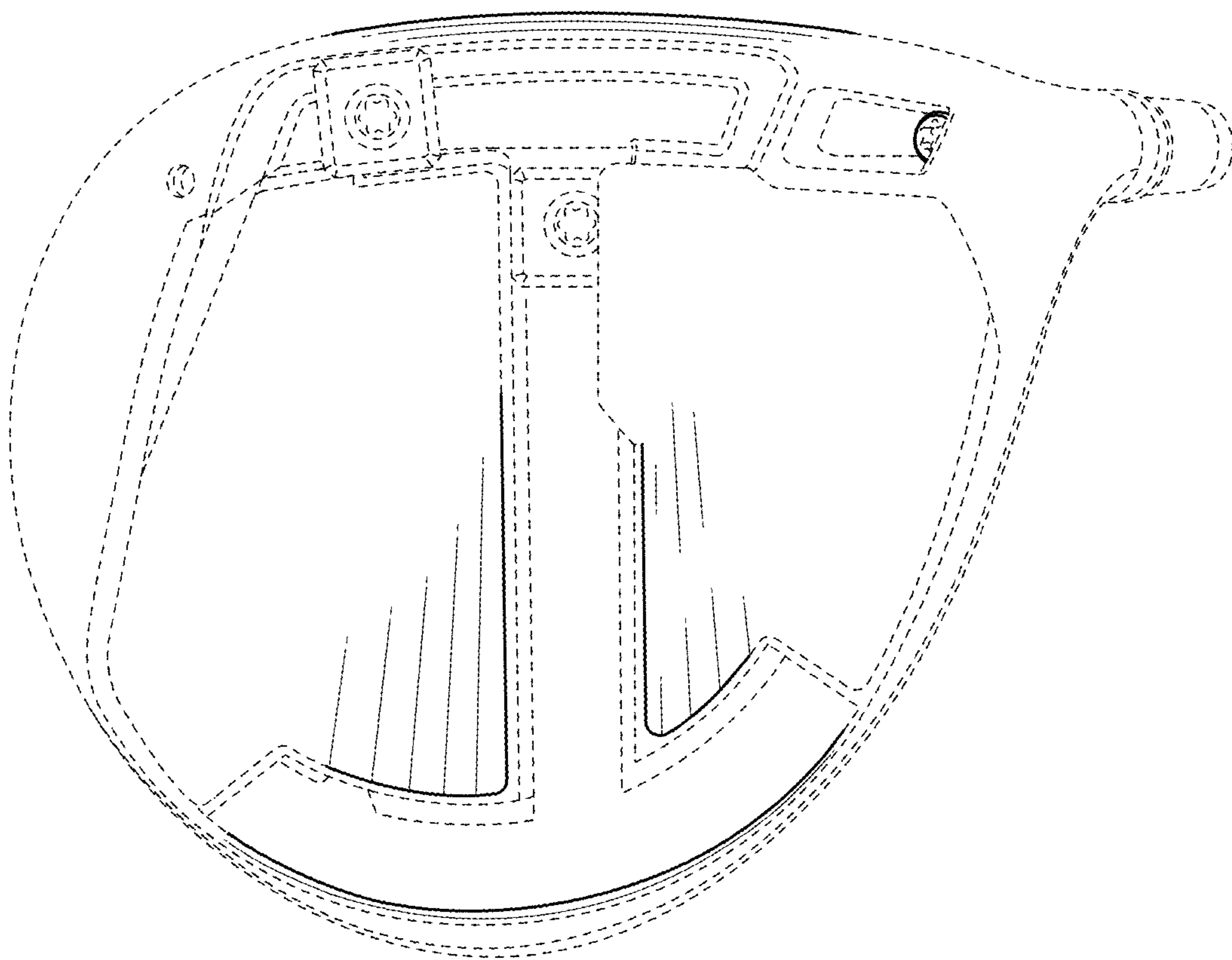


FIG. 10

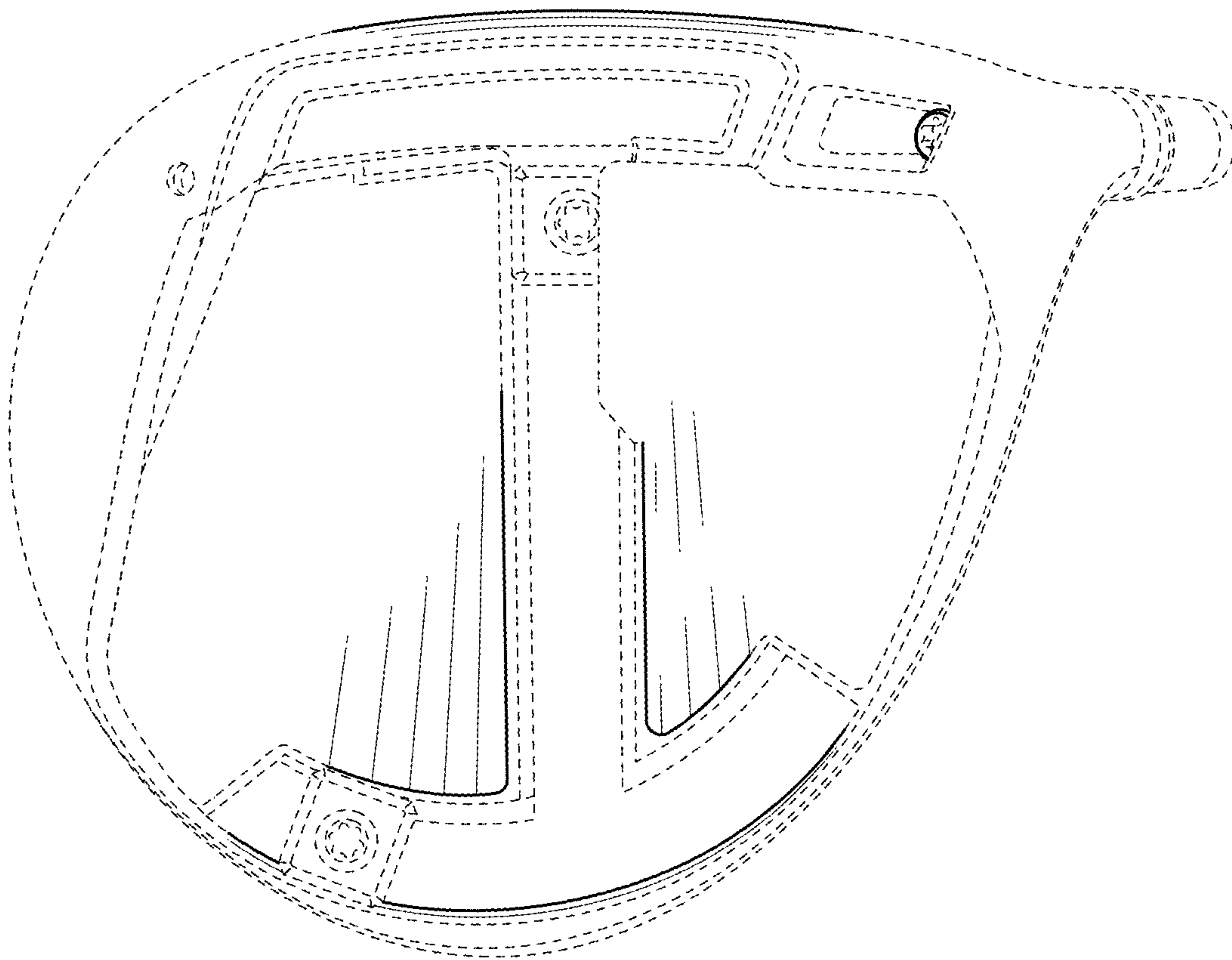


FIG. 11