



US00D860362S

(12) **United States Design Patent**
Phillips

(10) **Patent No.:** **US D860,362 S**

(45) **Date of Patent:** **** Sep. 17, 2019**

- (54) **GOLF CLUB GRIP**
- (71) Applicant: **John Phillips**, Virginia Beach, VA (US)
- (72) Inventor: **John Phillips**, Virginia Beach, VA (US)
- (73) Assignee: **John Phillips**, Virginia Beach, VA (US)

- 5,427,376 A * 6/1995 Cummings A63B 53/14
473/201
- D430,634 S * 9/2000 Cleveland D21/756
- D638,503 S * 5/2011 Lidenberg D21/756
- D638,504 S * 5/2011 Lidenberg D21/756
- D648,411 S * 11/2011 Lidenberg D21/756
- D734,415 S * 7/2015 Clare, Jr. D21/758
- D796,610 S * 9/2017 Nathan D21/756

(**) Term: **15 Years**

* cited by examiner

(21) Appl. No.: **29/642,106**

Primary Examiner — Mitchell I. Siegel

(22) Filed: **Mar. 27, 2018**

(57) **CLAIM**

(51) **LOC (12) Cl.** **21-02**

The ornamental design for golf club grip, as shown and described.

(52) **U.S. Cl.**

USPC **D21/758**

(58) **Field of Classification Search**

DESCRIPTION

USPC D21/756-758
 CPC A63B 60/06-60/34; A63B 60/00; A63B
 60/46; A63B 59/20; A63B 59/40; A63B
 59/60-59/80; A63B 49/00-49/14; A63B
 53/00-53/14

See application file for complete search history.

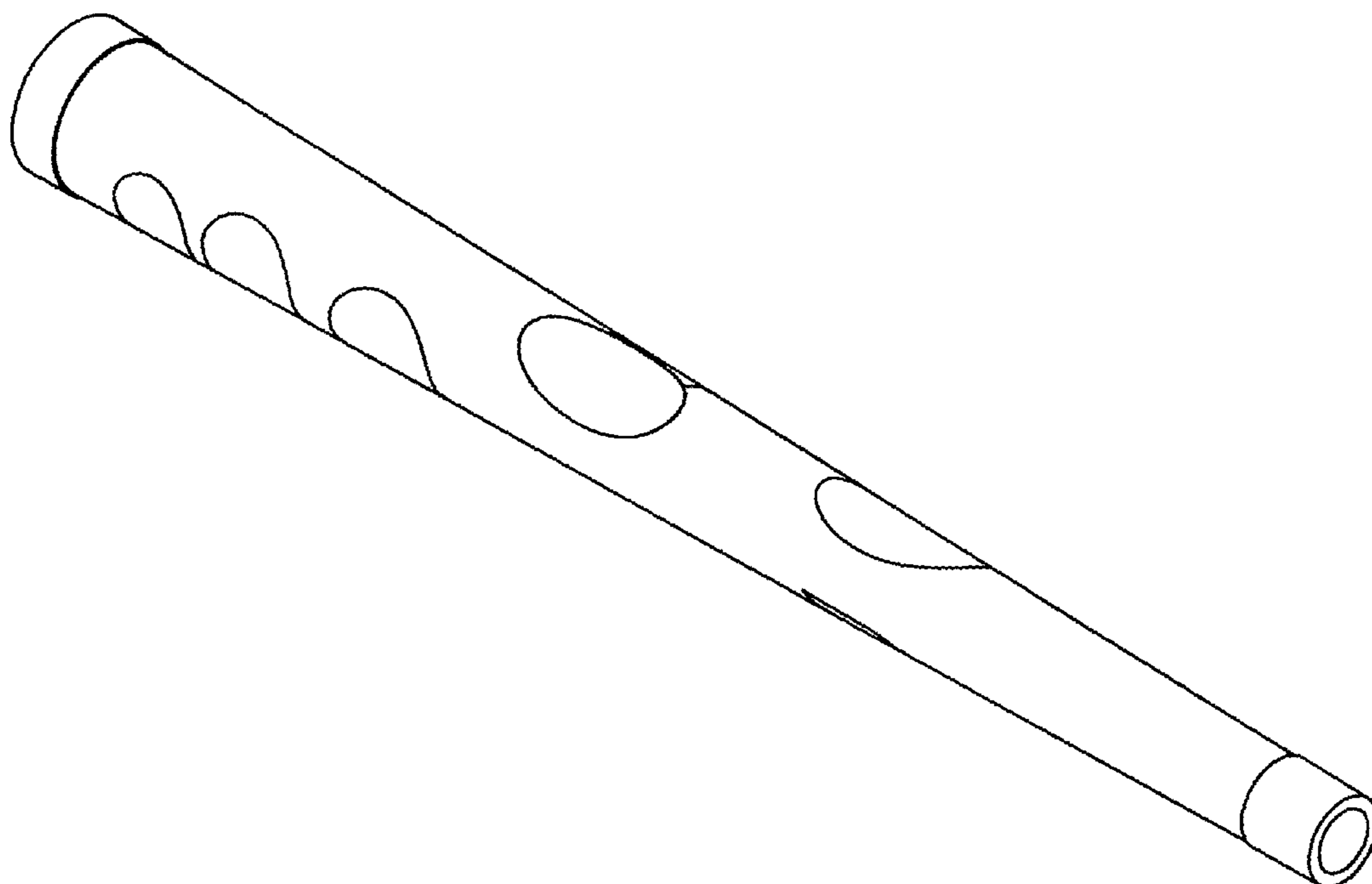
FIG. 1 is a butt end view of a golf club grip;
 FIG. 2 is a left side elevation view;
 FIG. 3 is a right side elevation view;
 FIG. 4 is a top view;
 FIG. 5 is a bottom view;
 FIG. 6 is a top and right side perspective view;
 FIG. 7 is a top and left side perspective view;
 FIG. 8 is a bottom and right side perspective view;
 FIG. 9 is a bottom and left side perspective view; and,
 FIG. 10 is a flattened plan view of the golf club grip; shown
 without the top and bottom caps.
 The broken lines shown are included for the purpose of
 illustrating unclaimed subject matter and forms no part of
 the claimed design.

(56) **References Cited**

U.S. PATENT DOCUMENTS

- 1,664,257 A * 3/1928 McCullough A63B 53/14
473/203
- 2,091,512 A * 8/1937 Marsh A63B 53/14
473/203
- 2,690,338 A * 9/1954 De Brocke A63B 53/14
473/203
- 4,934,024 A * 6/1990 Sexton A63B 49/08
16/421

1 Claim, 10 Drawing Sheets



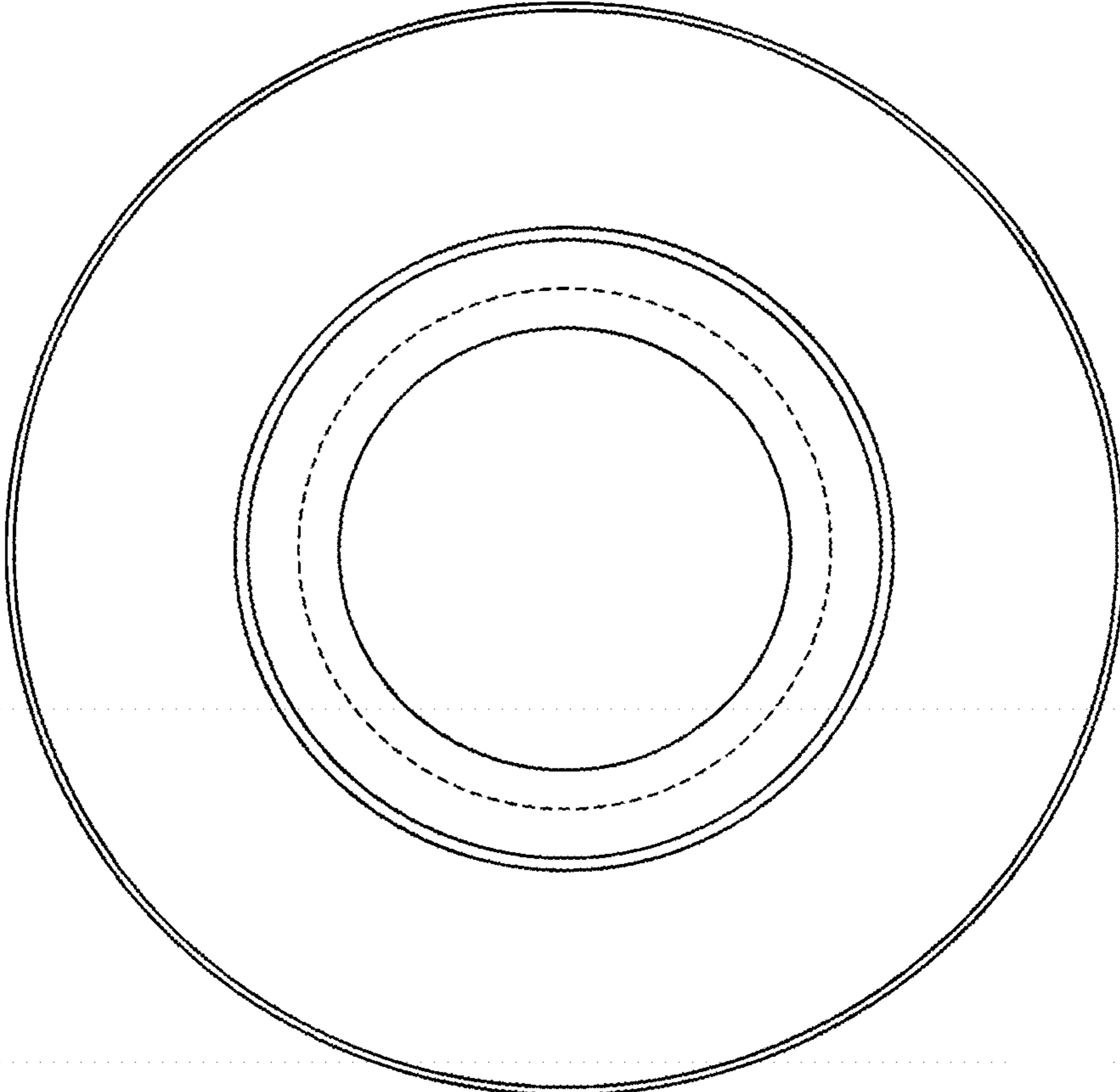


FIGURE 1

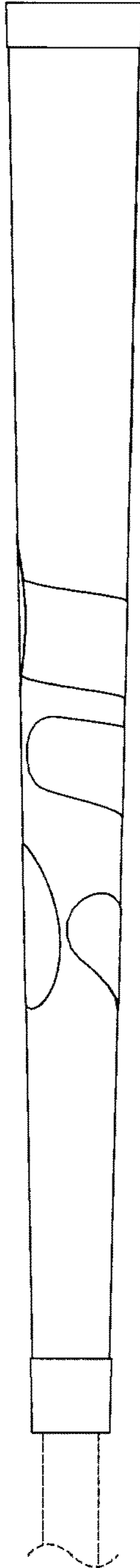


FIGURE 2

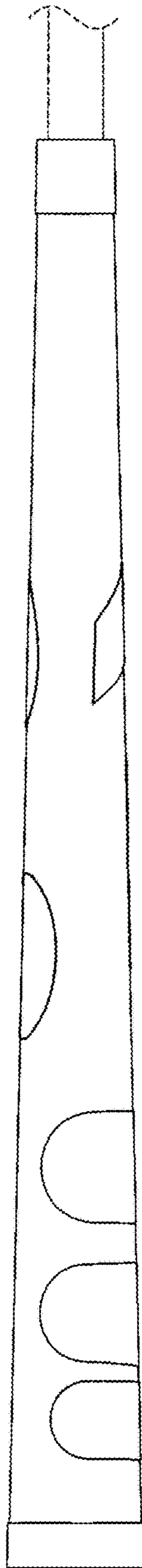


FIGURE 3

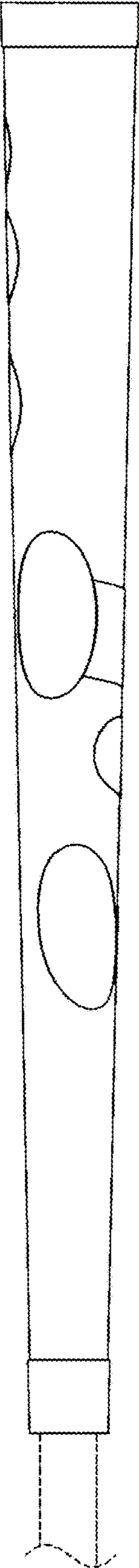


FIGURE 4

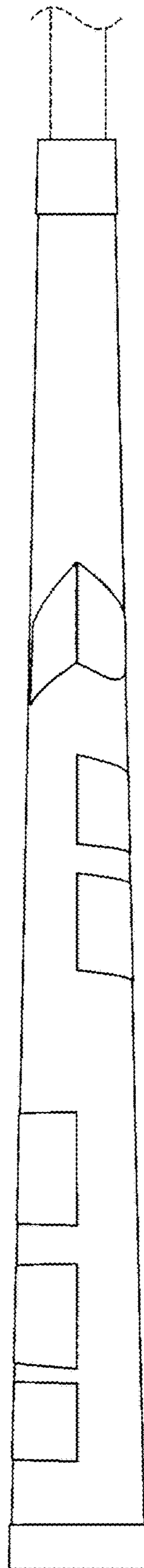


FIGURE 5

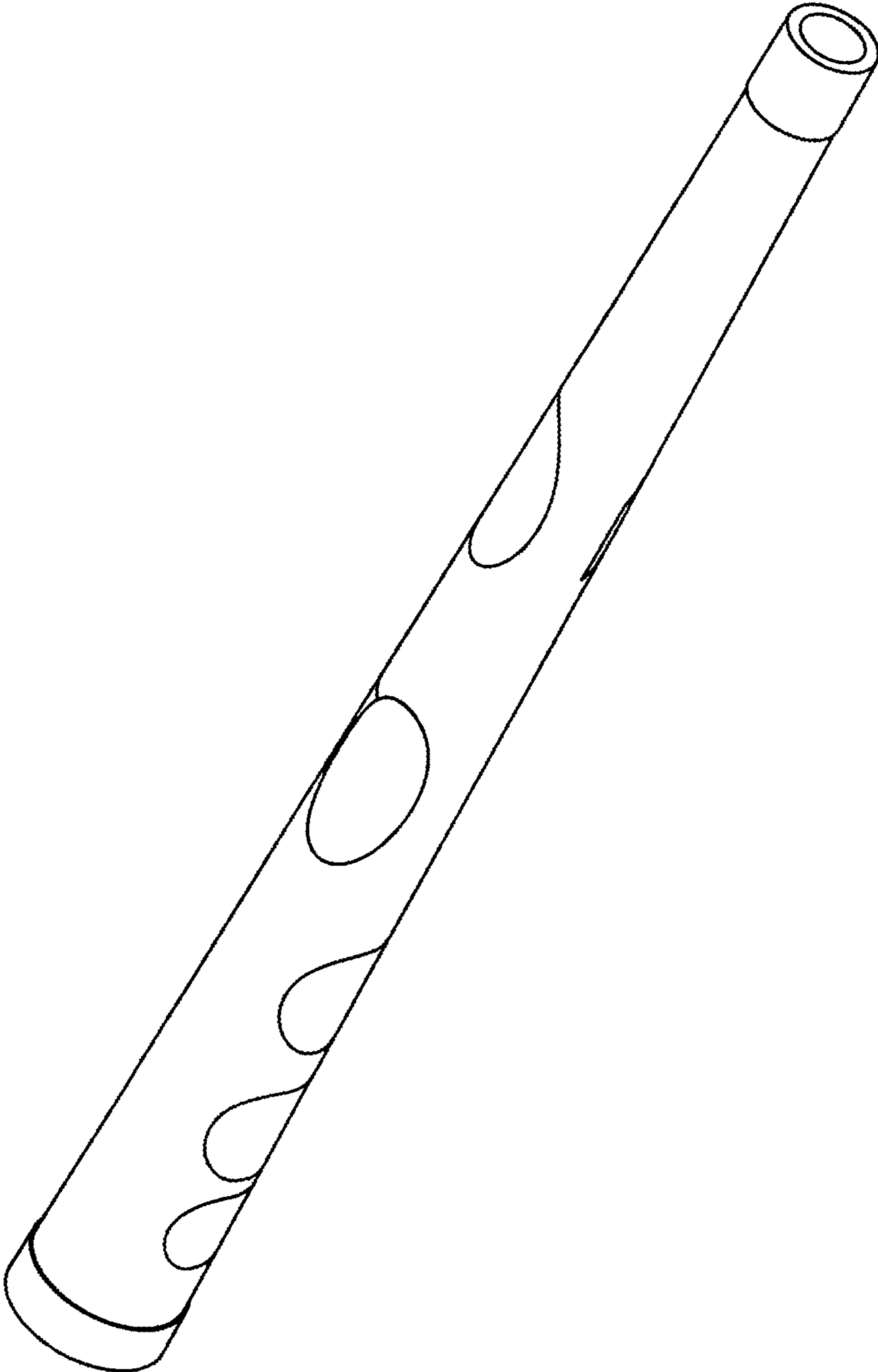


FIGURE 6

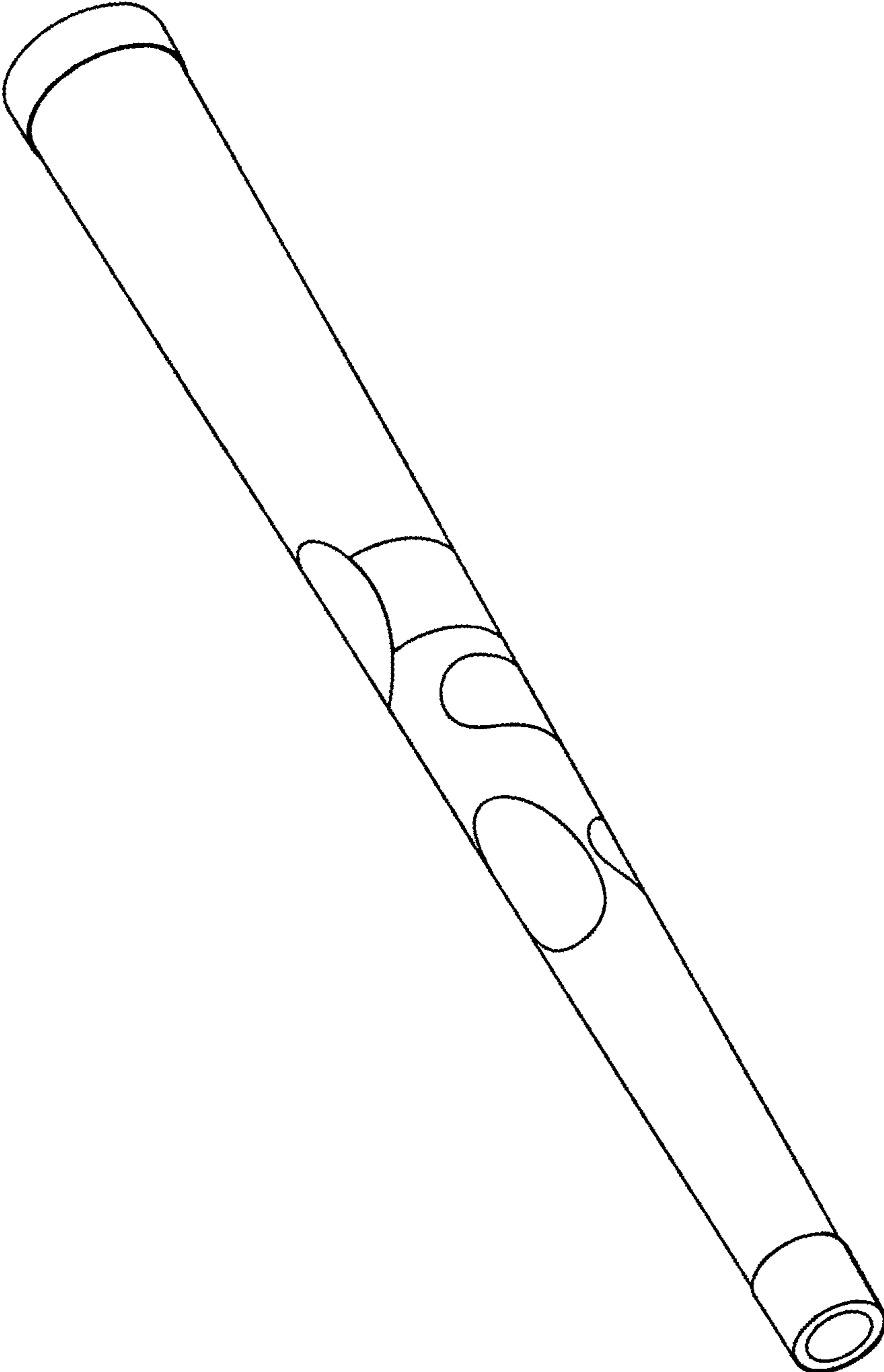


FIGURE 7

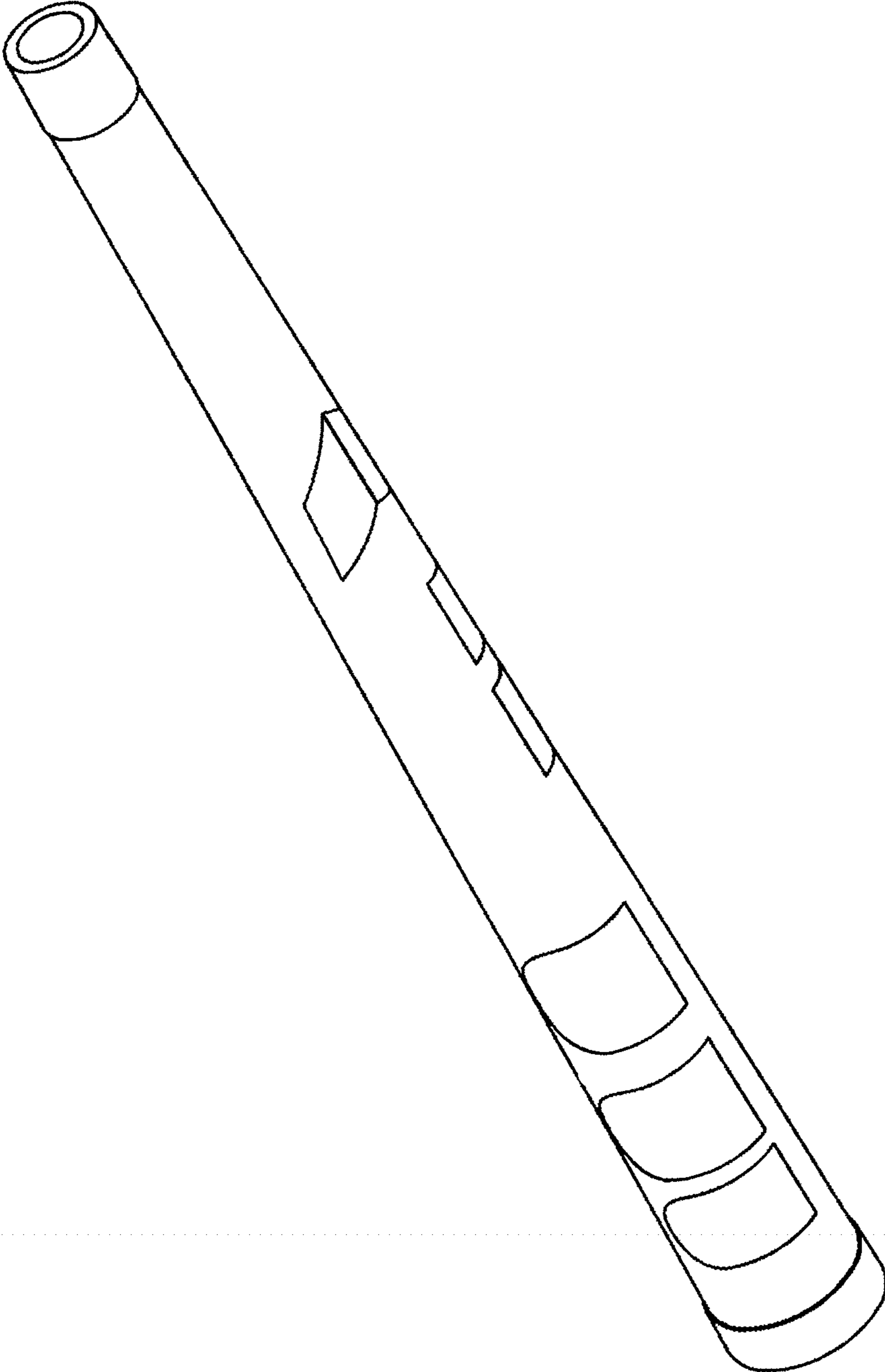


FIGURE 8

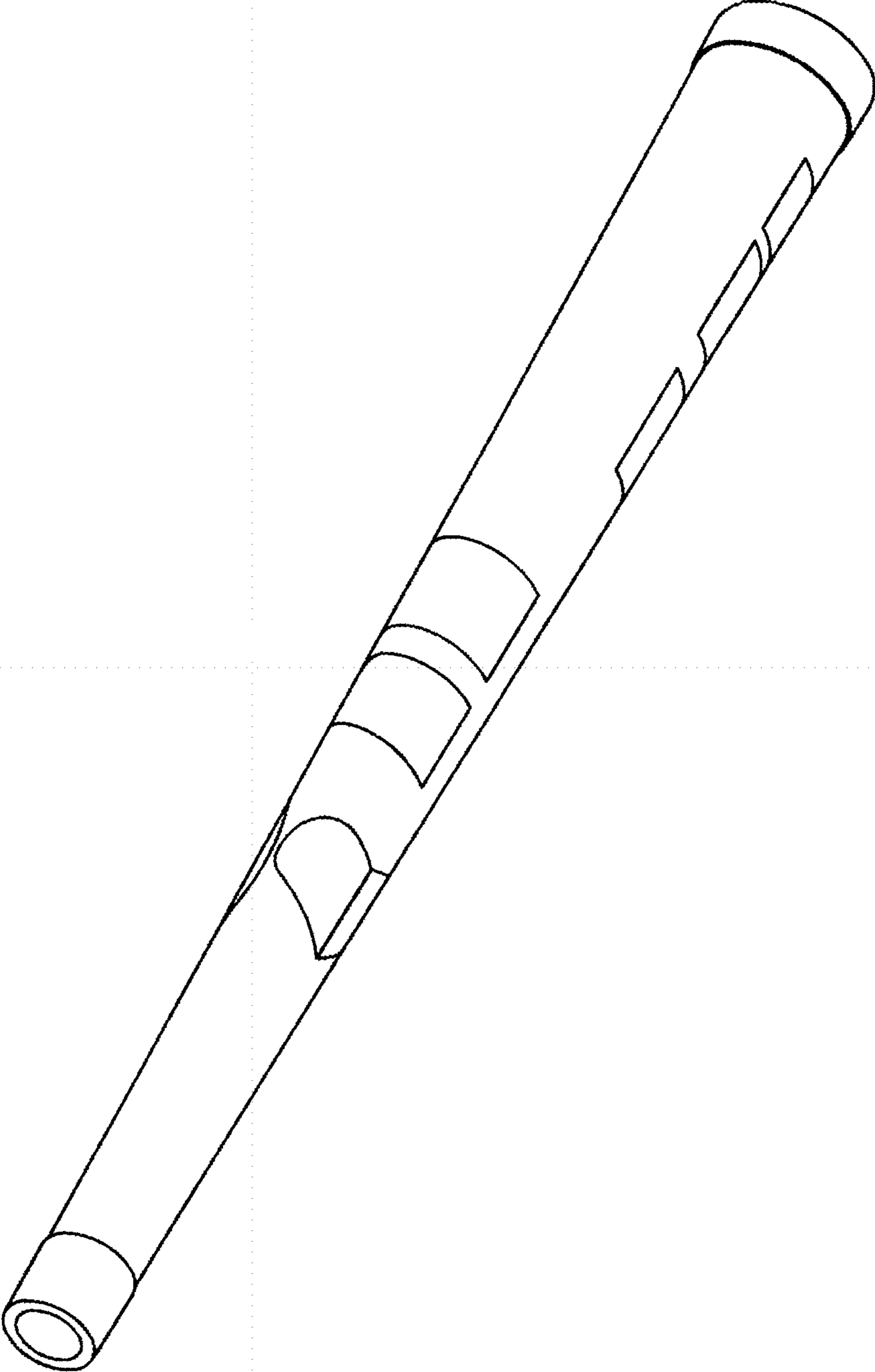


FIGURE 9

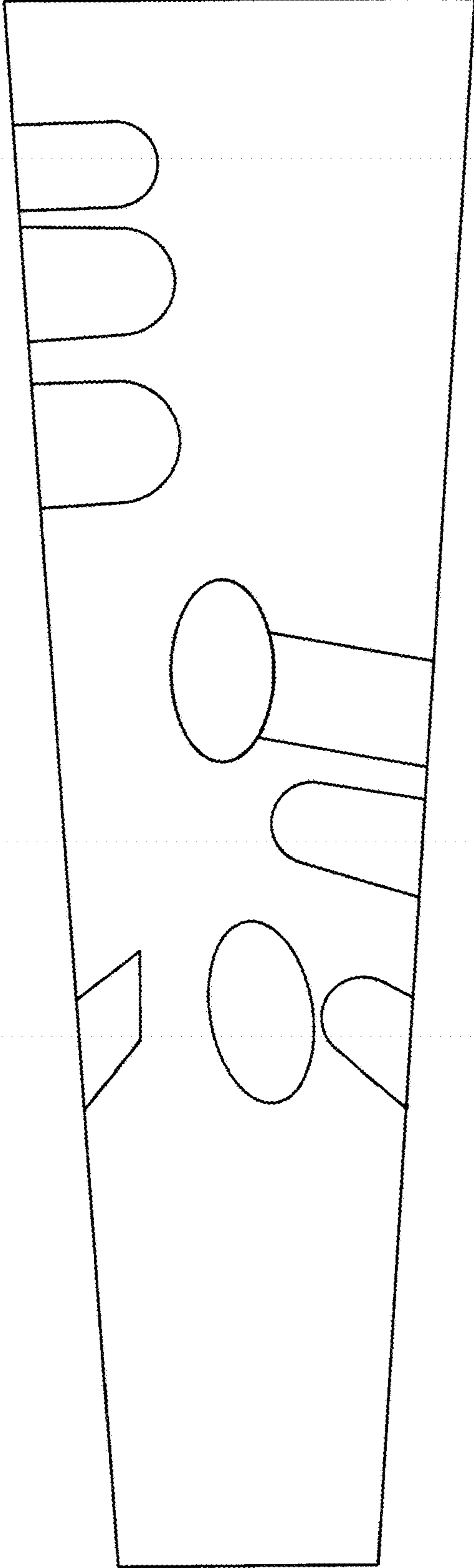


FIGURE 10