



US00D860357S

(12) **United States Design Patent**
Rollinson

(10) **Patent No.:** **US D860,357 S**

(45) **Date of Patent:** **** Sep. 17, 2019**

(54) **PUTTER HEAD**

(71) Applicant: **Callaway Golf Company**, Carlsbad,
CA (US)

(72) Inventor: **Augustin W. Rollinson**, Solana Beach,
CA (US)

(73) Assignee: **Callaway Golf Company**, Carlsbad,
CA (US)

(**) Term: **15 Years**

(21) Appl. No.: **29/659,568**

(22) Filed: **Aug. 9, 2018**

(51) **LOC (12) Cl.** **21-02**

(52) **U.S. Cl.**
USPC **D21/746**

(58) **Field of Classification Search**
USPC D21/736-746, 759
CPC A63B 53/00; A63B 53/04; A63B 53/007;
A63B 53/065; A63B 53/0487; A63B
60/00; A63B 60/46
See application file for complete search history.

(56) **References Cited**

U.S. PATENT DOCUMENTS

D360,922 S *	8/1995	Grace	D21/745
D373,160 S *	8/1996	Grace	D21/745
D399,911 S *	10/1998	Nicolette et al.	D21/736
D400,610 S *	11/1998	Cameron et al.	D21/742
D403,724 S *	1/1999	Palmer	D21/736
D407,445 S *	3/1999	Rollinson	D21/743
D474,821 S *	5/2003	Wells et al.	D21/743

D486,872 S *	2/2004	Schweigert et al.	D21/738
D523,107 S *	6/2006	Grace	D21/759
D532,468 S *	11/2006	Hettinger	D21/743
D564,607 S *	3/2008	Oldknow	D21/736
D568,954 S *	5/2008	Oldknow	D21/759
D577,397 S *	9/2008	Eckes et al.	D21/742
D635,625 S *	4/2011	Rollinson	D21/743
D648,408 S *	11/2011	Teramoto	D21/743
D691,681 S *	10/2013	Hilton et al.	D21/736
D699,308 S *	2/2014	Rollinson	D21/736

* cited by examiner

Primary Examiner — Mitchell I. Siegel

(74) *Attorney, Agent, or Firm* — Rebecca Hanovice;
Michael Catania; Sonia Lari

(57) **CLAIM**

The ornamental design for a putter head, as shown and described.

DESCRIPTION

FIG. 1 is a rear perspective view of the putter head claimed herein;

FIG. 2 is a rear elevational view thereof;

FIG. 3 is a front elevational view thereof;

FIG. 4 is a right side elevational view thereof;

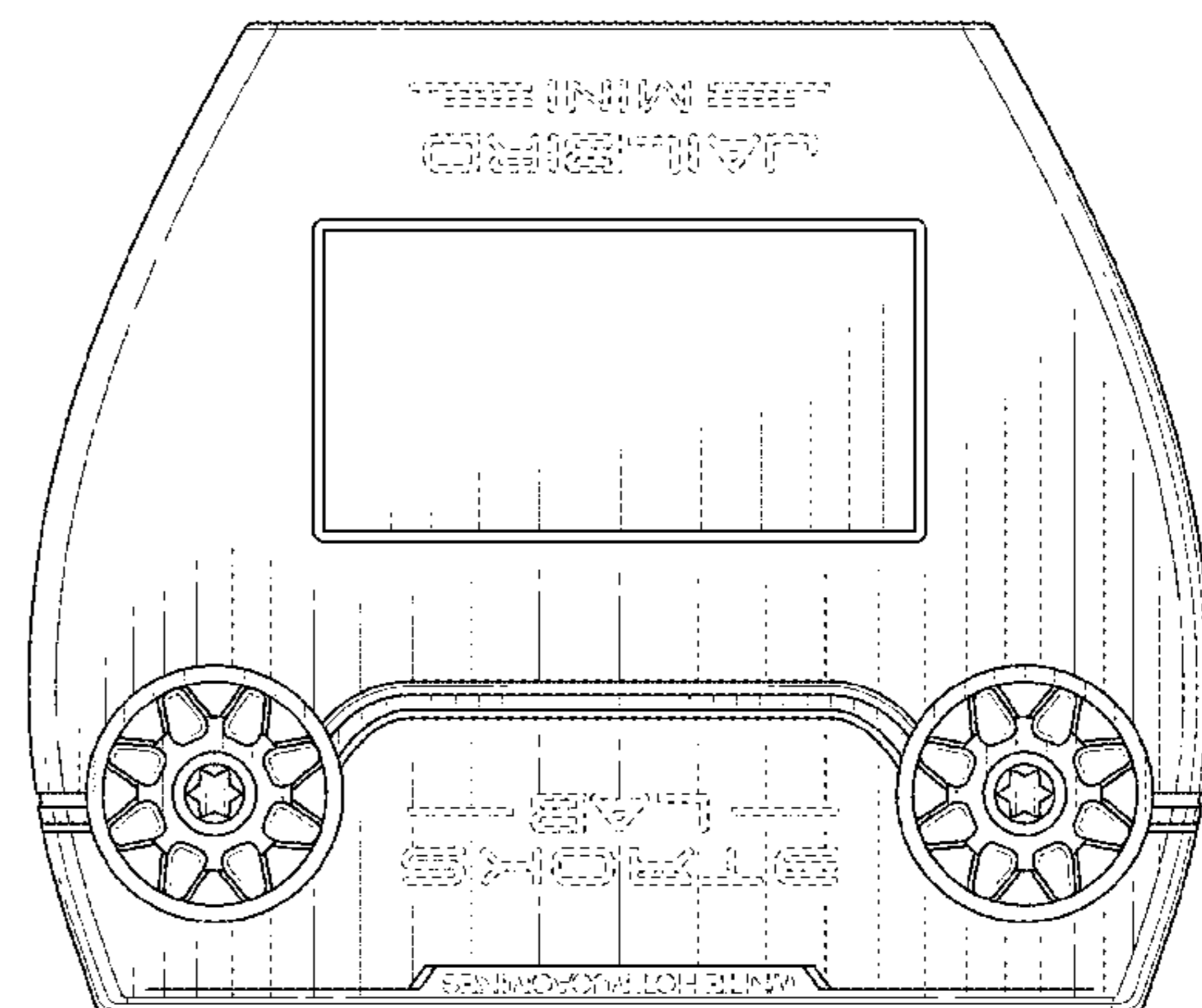
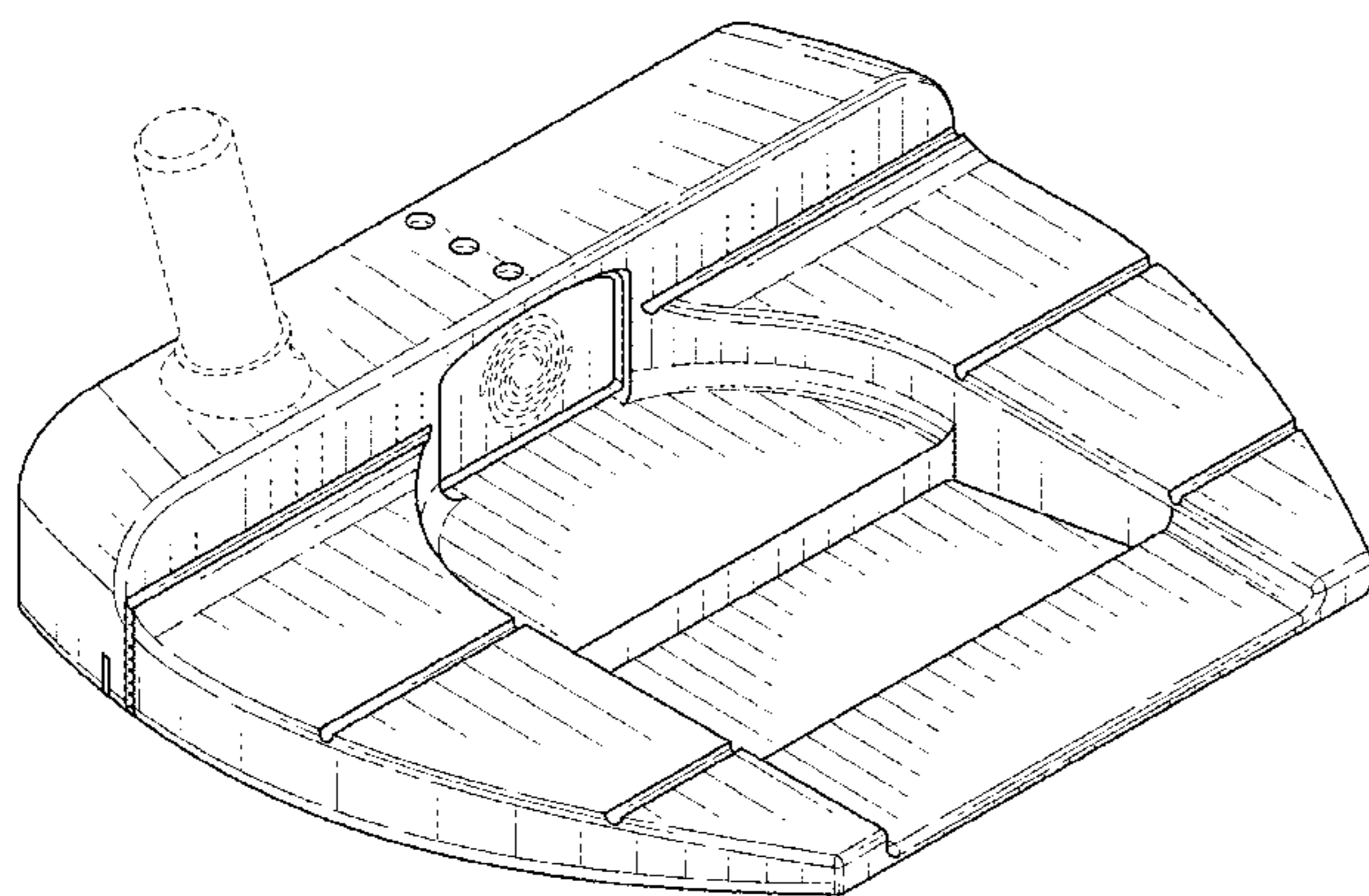
FIG. 5 is a left side elevational view thereof;

FIG. 6 is a top plan view thereof; and,

FIG. 7 is a bottom plan view thereof.

The broken lines shown are included for the purpose of illustrating unclaimed subject matter and form no part of the claimed design.

1 Claim, 4 Drawing Sheets



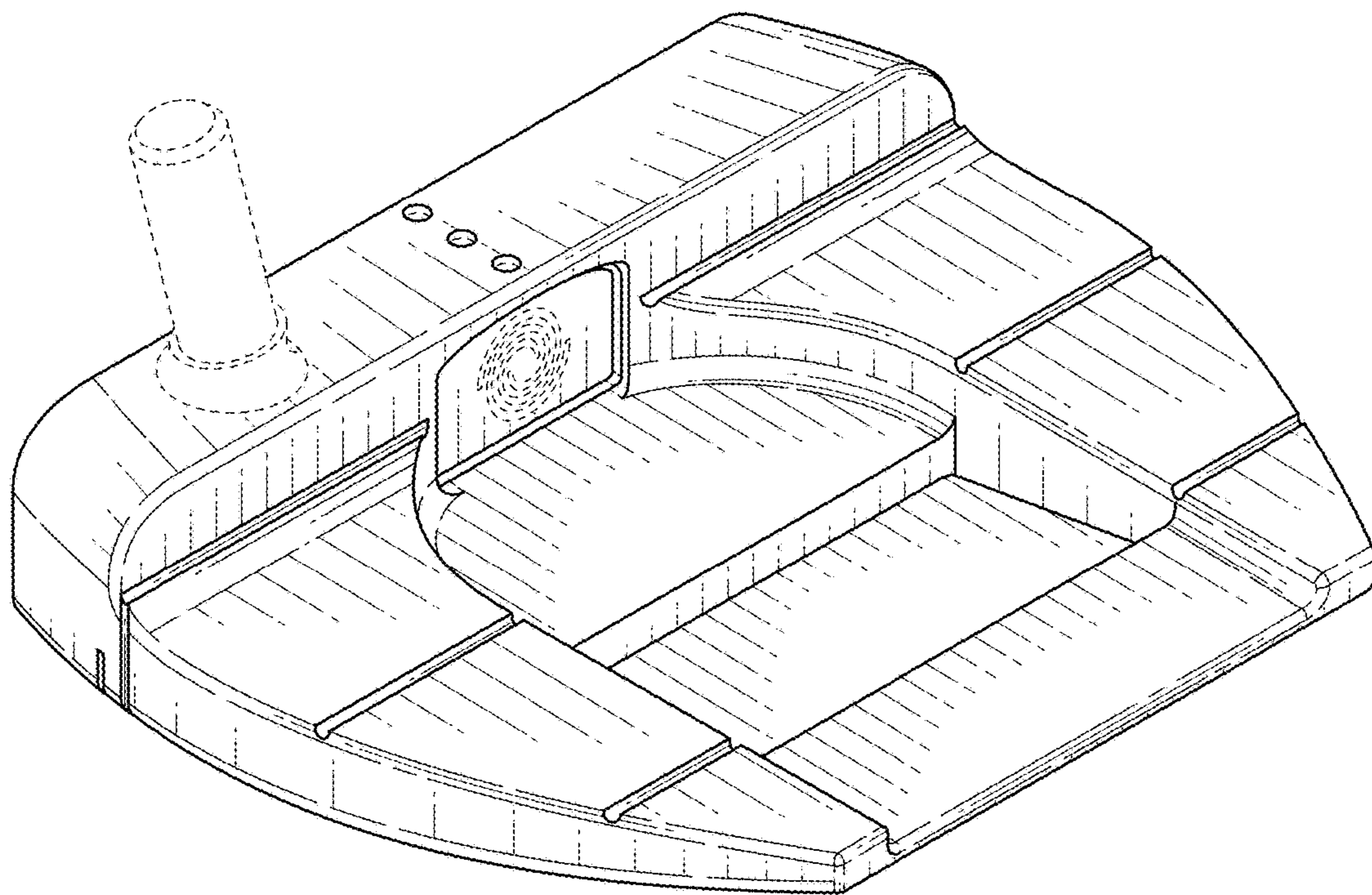


FIG. 1

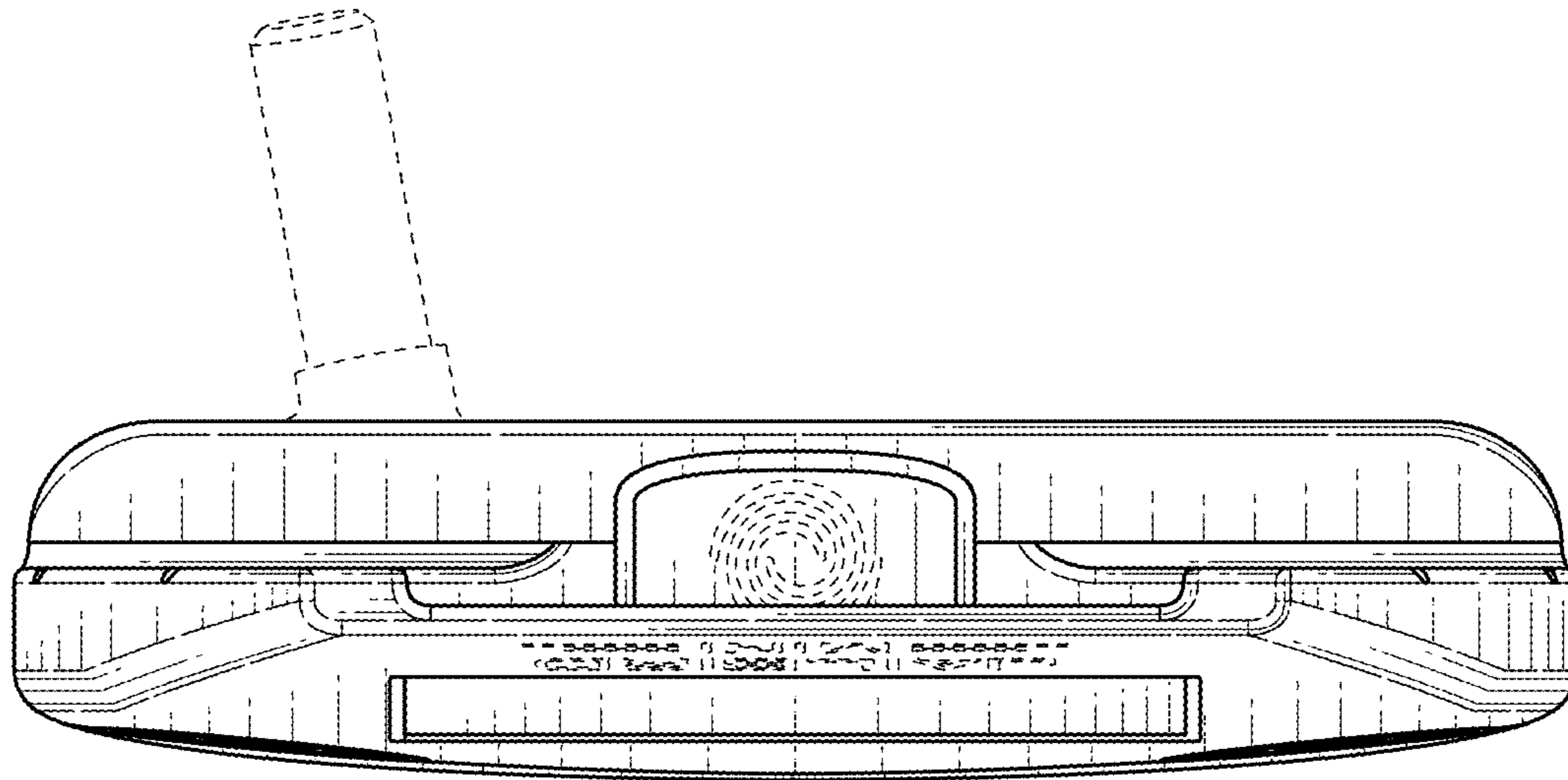


FIG. 2

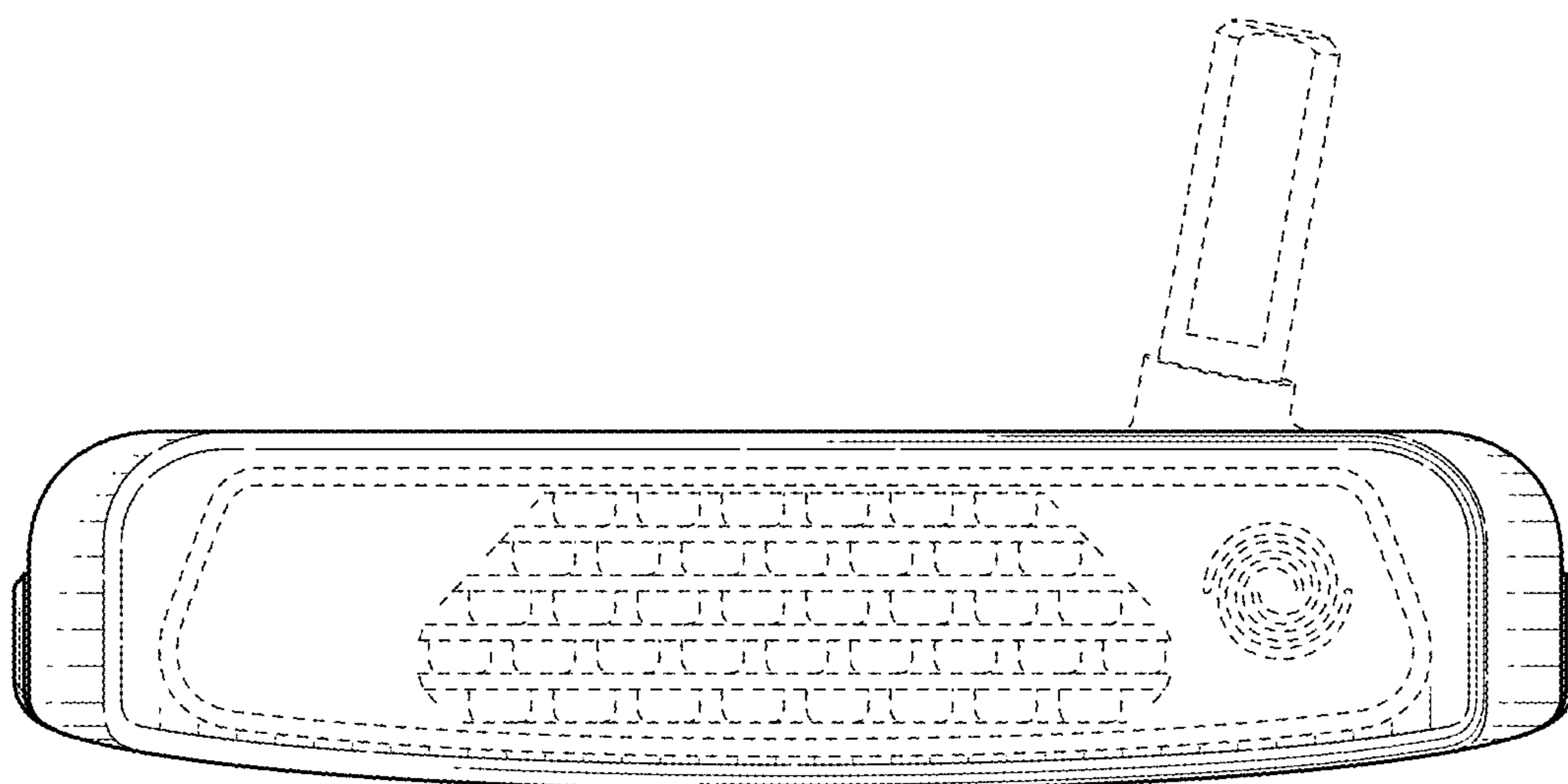


FIG. 3

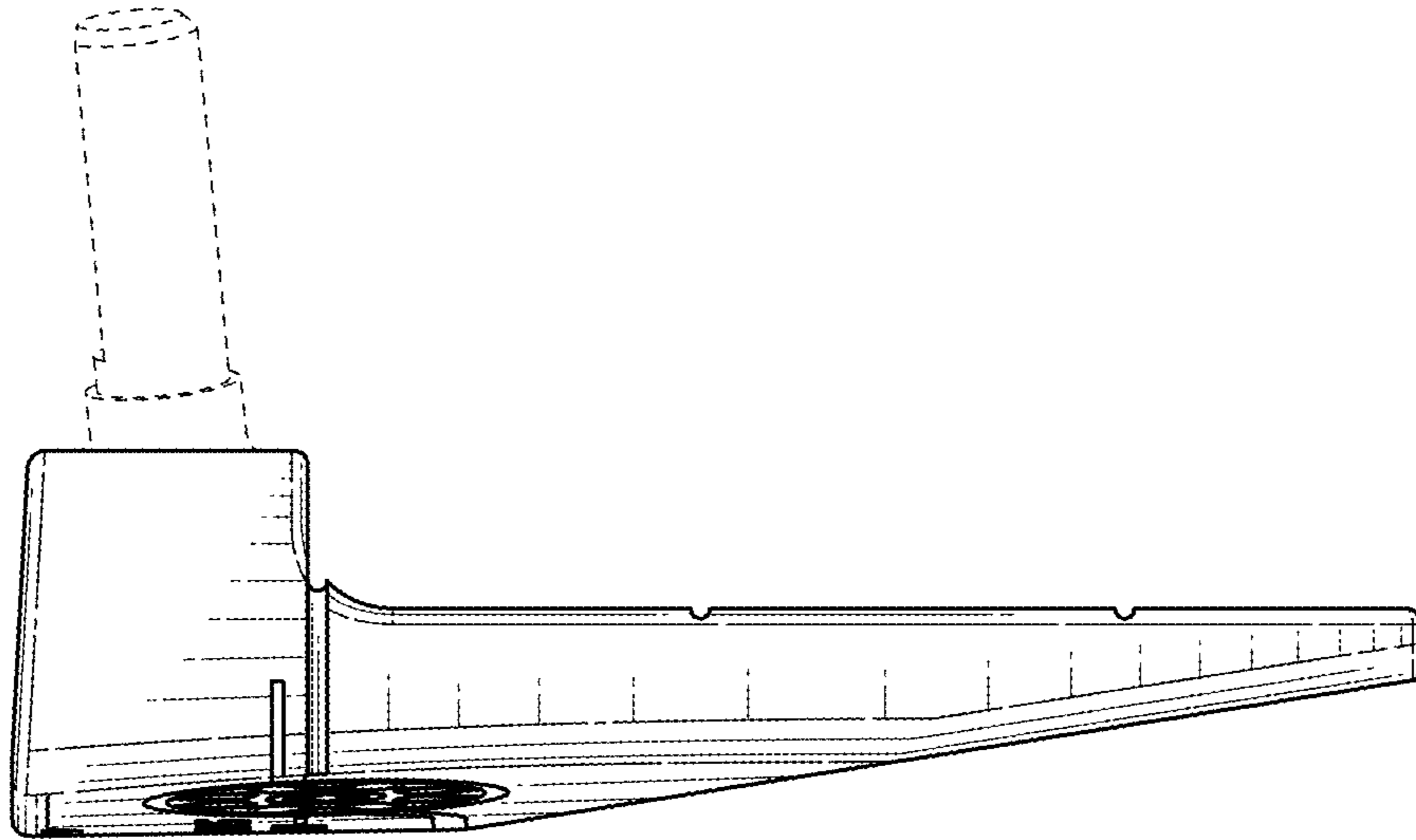


FIG. 4

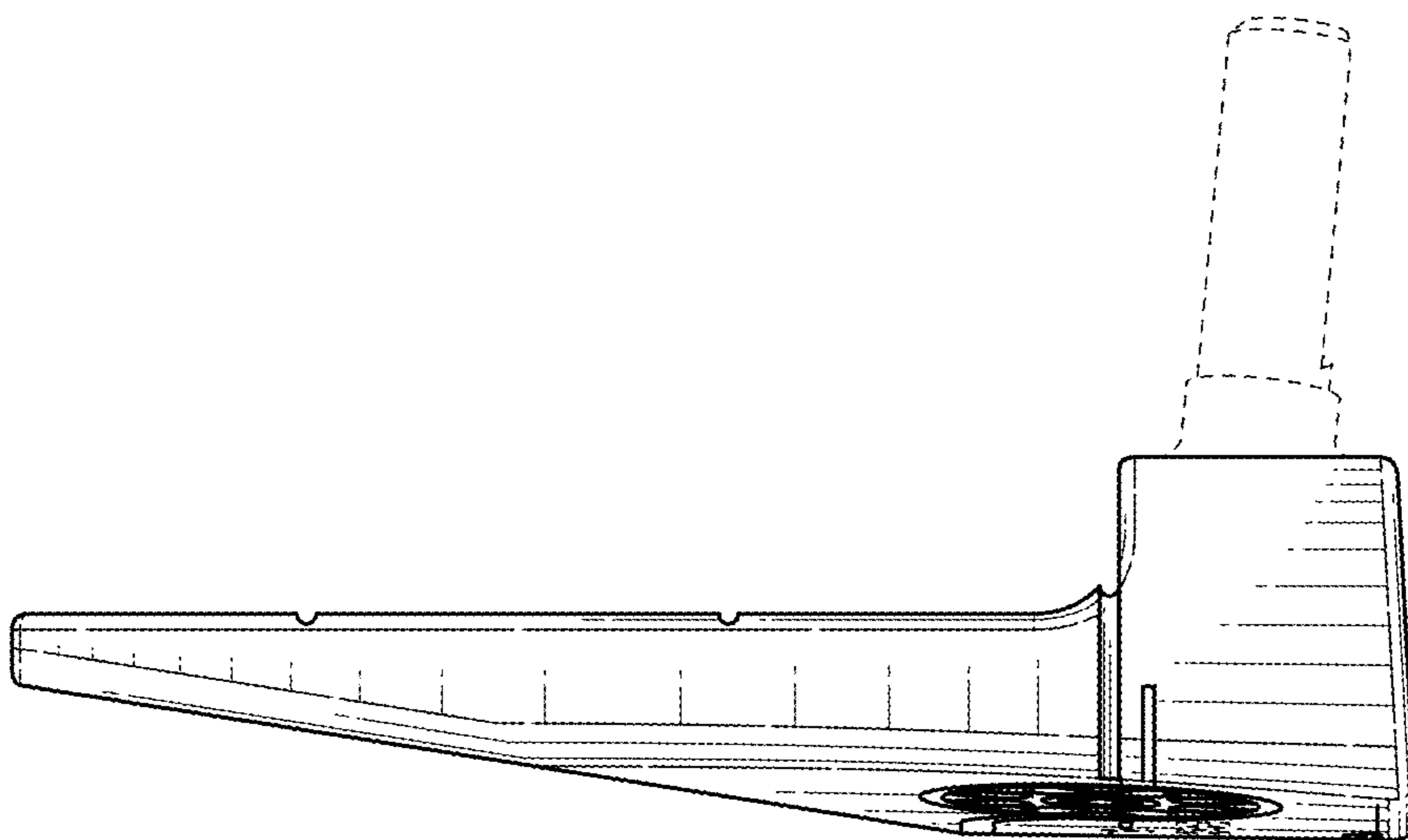


FIG. 5

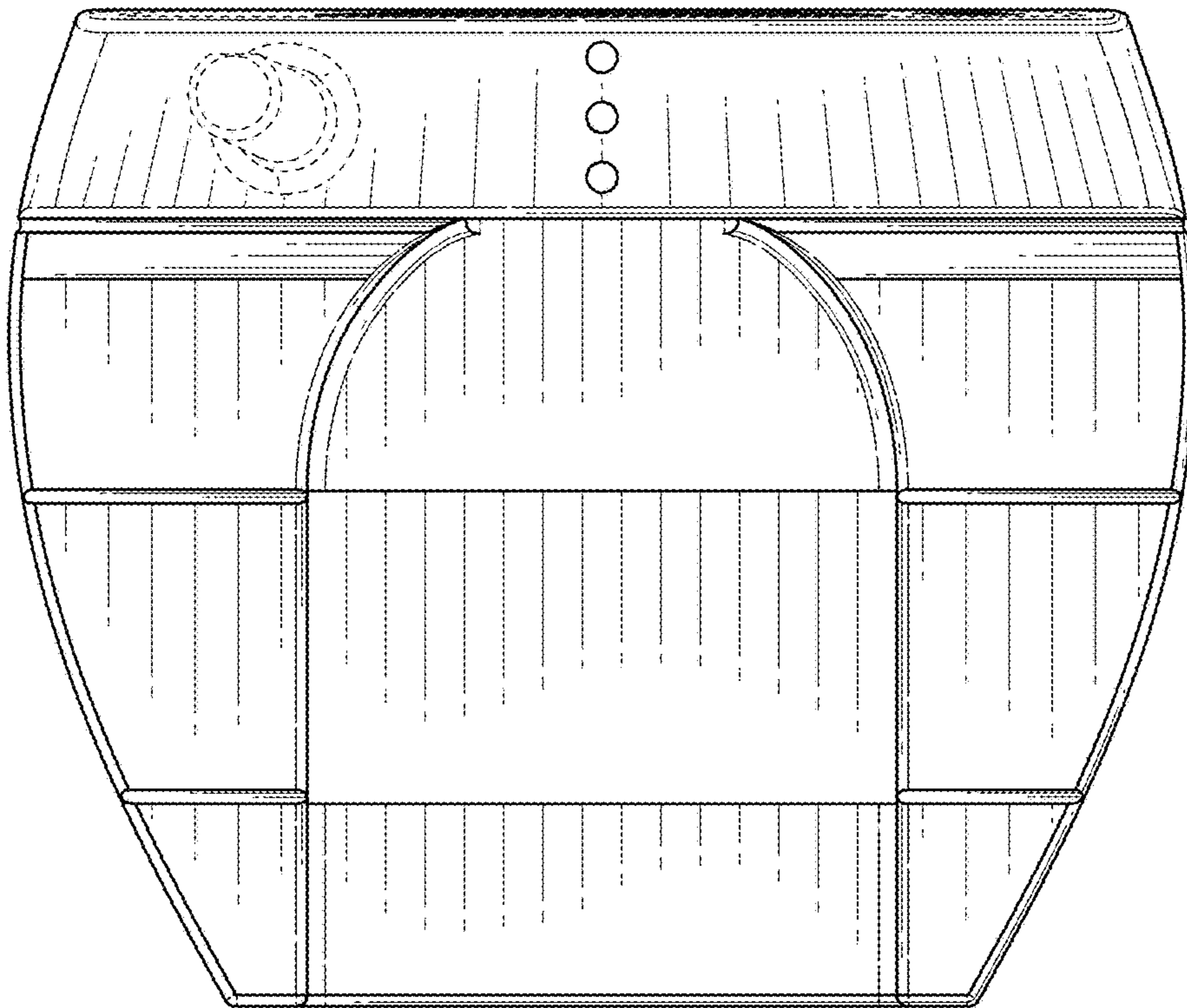


FIG. 6

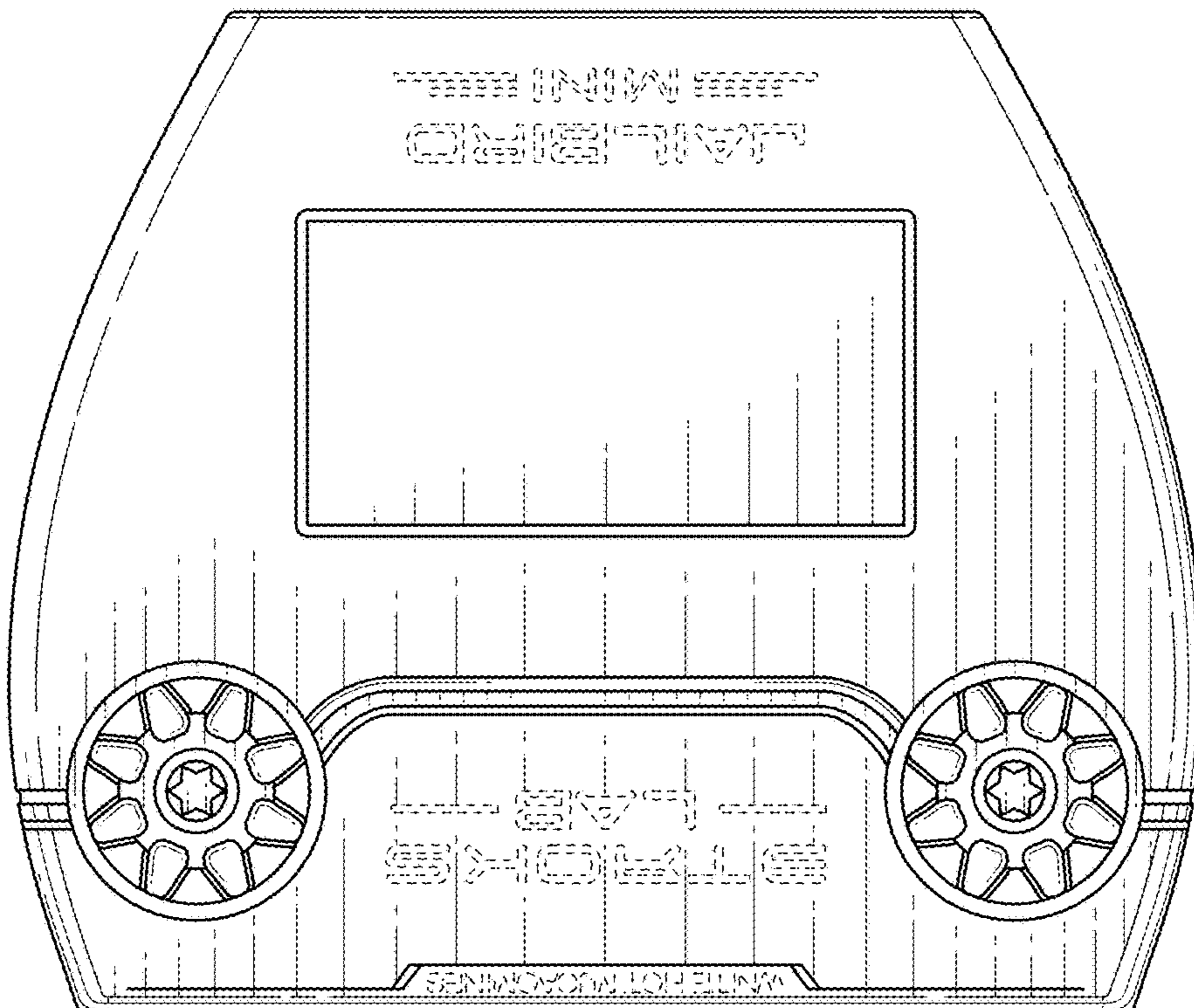


FIG. 7