

US00D860355S

(12) **United States Design Patent**
Wang et al.

(10) **Patent No.:** **US D860,355 S**

(45) **Date of Patent:** **** Sep. 17, 2019**

(54) **GOLF CLUB HEAD**

(71) Applicant: **KARSTEN MANUFACTURING CORPORATION**, Phoenix, AZ (US)

(72) Inventors: **Calvin S. Wang**, Chandler, AZ (US);
John A. Solheim, Phoenix, AZ (US);
David A. Higdon, Cave Creek, AZ (US)

(73) Assignee: **Karsten Manufacturing Corporation**, Phoenix, AZ (US)

(**) Term: **15 Years**

(21) Appl. No.: **29/656,308**

(22) Filed: **Jul. 11, 2018**

(51) **LOC (12) Cl.** **21-02**

(52) **U.S. Cl.**
USPC **D21/744**

(58) **Field of Classification Search**
USPC D21/736-746, 759
CPC A63B 53/00; A63B 53/04; A63B 53/007;
A63B 53/065; A63B 53/0487; A63B
60/00; A63B 60/46
See application file for complete search history.

(56) **References Cited**

U.S. PATENT DOCUMENTS

D316,129 S	4/1991	Bryson	
D375,131 S	10/1996	Williams	
5,685,784 A	11/1997	Butler	
D399,899 S *	10/1998	Sizemore, Jr.	D21/742
D399,900 S	10/1998	Hogan	
D400,610 S *	11/1998	Cameron	D21/742
D484,935 S *	1/2004	Tang	D21/738
D488,200 S	4/2004	Olsavsky	
D488,526 S	4/2004	Souza	
D496,417 S *	9/2004	Tang	D21/738
D500,109 S	12/2004	Solheim	

D500,110 S	12/2004	Solheim	
6,837,801 B1	1/2005	Souza	
6,893,355 B2	5/2005	Souza	
D507,317 S *	7/2005	Garner	D21/743
D507,612 S	7/2005	Souza	
D508,273 S *	8/2005	Garner	D21/743
6,926,615 B1	8/2005	Souza	

(Continued)

Primary Examiner — Mitchell I. Siegel

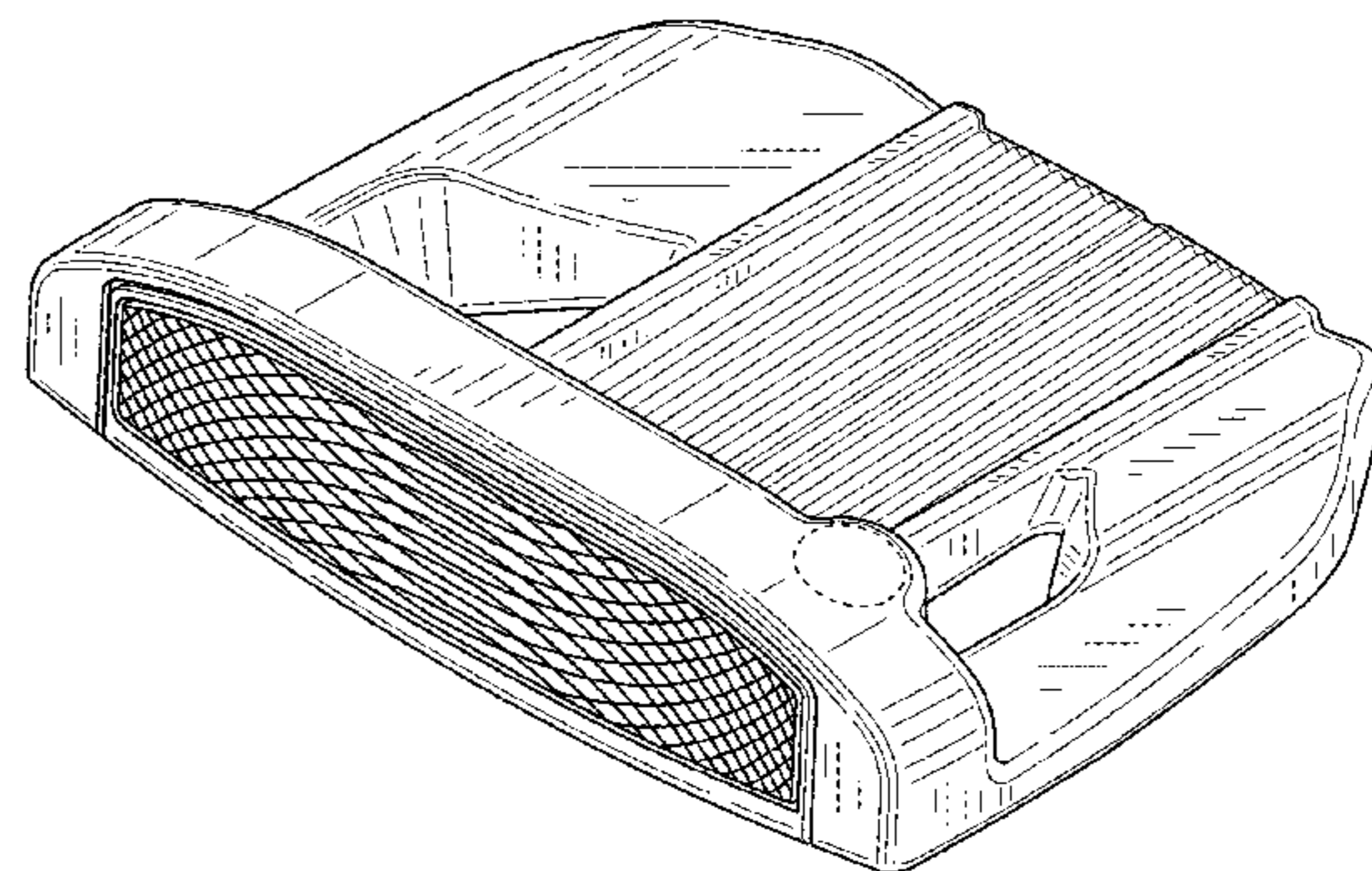
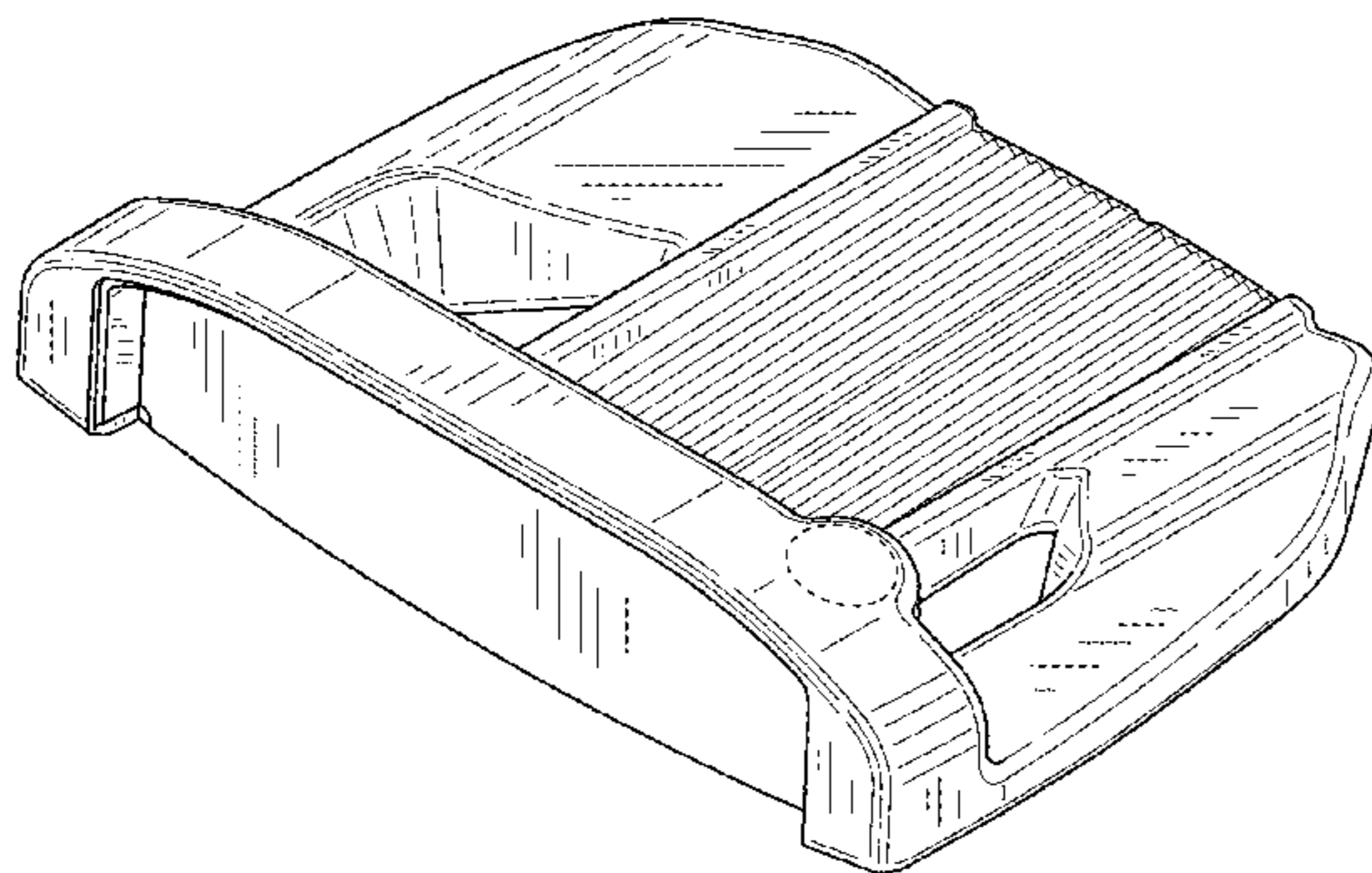
(57) **CLAIM**

The ornamental design for a golf club head, as shown and described.

DESCRIPTION

FIG. 1 is a top perspective view of a golf club head;
 FIG. 2 is a bottom perspective view of the golf club head of FIG. 1;
 FIG. 3 is a top view of the golf club head of FIG. 1;
 FIG. 4 is a bottom view of the golf club head of FIG. 1;
 FIG. 5 is a front view of the golf club head of FIG. 1;
 FIG. 6 is a rear view of the golf club head of FIG. 1;
 FIG. 7 is a heel side view of the golf club head of FIG. 1;
 FIG. 8 is a toe side view of the golf club head of FIG. 1;
 FIG. 9 is a top perspective view of another embodiment of a golf club head;
 FIG. 10 is a bottom perspective view of the golf club head of FIG. 9;
 FIG. 11 is a top view of the golf club head of FIG. 9;
 FIG. 12 is a bottom view of the golf club head of FIG. 9;
 FIG. 13 is a front view of the golf club head of FIG. 9;
 FIG. 14 is a rear view of the golf club head of FIG. 9;
 FIG. 15 is a heel side view of the golf club head of FIG. 9;
 and,
 FIG. 16 is a toe side view of the golf club head of FIG. 9.
 The broken lines shown in one or more of the figures are for illustrative purposes only and form no part of the claimed design.

1 Claim, 10 Drawing Sheets



(56)

References Cited

U.S. PATENT DOCUMENTS

6,960,140 B2	11/2005	Solheim	
6,966,845 B2	11/2005	Solheim	
D520,584 S	5/2006	Karlsen	
D521,582 S	5/2006	Souza	
7,052,411 B2	5/2006	Solheim	
D522,598 S	6/2006	Solheim	
7,086,957 B2	8/2006	Solheim	
D527,777 S	9/2006	Solheim	
D529,108 S	9/2006	Sites	
D532,847 S	11/2006	Rollinson	
D533,243 S	12/2006	Fife	
D533,609 S *	12/2006	Moore	D21/742
D542,873 S *	5/2007	Oldknow	D21/759
7,235,021 B2	6/2007	Solheim	
D548,295 S	8/2007	Jertson	
7,255,650 B2	8/2007	Bryant	
D552,197 S	10/2007	Wells	
D561,854 S *	2/2008	Morris	D21/744
D564,606 S *	3/2008	Oldknow	D21/736
D565,137 S	3/2008	Oldknow	
D569,460 S *	5/2008	Walker	D21/743
D569,461 S *	5/2008	Morris	D21/744
D569,462 S *	5/2008	Rollinson	D21/744
D571,879 S	5/2008	Jones et al.	
D574,907 S	8/2008	Jones et al.	
D581,473 S	11/2008	Thomas	
D583,003 S	12/2008	Solheim	
D587,325 S	2/2009	Solheim	
D591,806 S *	5/2009	Cameron	D21/743
D594,073 S *	6/2009	Kadoya	D21/744
D595,372 S	6/2009	Rollinson	
D600,760 S	9/2009	Serrano	
D600,761 S	9/2009	Solheim	
D600,762 S	9/2009	Serrano	
D607,950 S	1/2010	Souza	
D621,458 S	8/2010	Serrano	
D621,460 S	8/2010	Serrano	
D621,461 S *	8/2010	Serrano	D21/742
D621,462 S	8/2010	Serrano	
D621,891 S *	8/2010	Serrano	D21/742
7,803,066 B2	9/2010	Solheim	
D638,891 S	5/2011	Nicolette	
D640,341 S	6/2011	Foster	
D643,080 S	8/2011	Serrano	
D643,485 S	8/2011	Nicolette et al.	
D643,486 S	8/2011	Serrano	
D643,487 S *	8/2011	Serrano	D21/742
8,100,779 B2	1/2012	Solheim	
D653,718 S *	2/2012	Stokke	D21/743
8,109,838 B2	2/2012	Solheim	
D664,617 S	7/2012	Serrano	
D715,388 S *	10/2014	Serrano	D21/743
D774,609 S *	12/2016	Serrano	D21/744
D792,929 S *	7/2017	Serrano	D21/743
D796,597 S *	9/2017	Serrano	D21/736
D796,598 S *	9/2017	Serrano	D21/736
D796,599 S *	9/2017	Serrano	D21/743
D796,600 S *	9/2017	Serrano	D21/743
D796,601 S *	9/2017	Serrano	D21/743
D796,602 S *	9/2017	Serrano	D21/743
D796,603 S *	9/2017	Serrano	D21/744
D796,604 S *	9/2017	Serrano	D21/744
D796,605 S *	9/2017	Serrano	D21/744
D797,220 S *	9/2017	Serrano	D21/743
D797,221 S *	9/2017	Serrano	D21/743
D797,222 S *	9/2017	Serrano	D21/744
D797,872 S *	9/2017	Jertson	D21/743
D797,873 S *	9/2017	Serrano	D21/743
D807,453 S *	1/2018	Serrano	D21/743
D807,454 S *	1/2018	Serrano	D21/744
D815,222 S *	4/2018	Serrano	D21/743
D816,175 S *	4/2018	Solheim	D21/743
D825,698 S *	8/2018	Serrano	D21/743
D827,743 S *	9/2018	Chen	D21/743
D832,379 S *	10/2018	Jertson	D21/736
D832,380 S *	10/2018	Wang	D21/743
D832,381 S *	10/2018	Serrano	D21/743
D832,948 S *	11/2018	Stokke	D21/736
D840,482 S *	2/2019	Serrano	D21/736
D844,722 S *	4/2019	Wang	D21/736
D844,724 S *	4/2019	Wang	D21/743
D847,923 S *	5/2019	Wang	D21/736
D847,924 S *	5/2019	Wang	D21/743
D847,926 S *	5/2019	Wang	D21/744
2006/0094533 A1	5/2006	Warren	
2006/0166755 A1	7/2006	Brown	
2007/0191135 A1	8/2007	Nilsson	
2010/0227704 A1	9/2010	Souza	

* cited by examiner

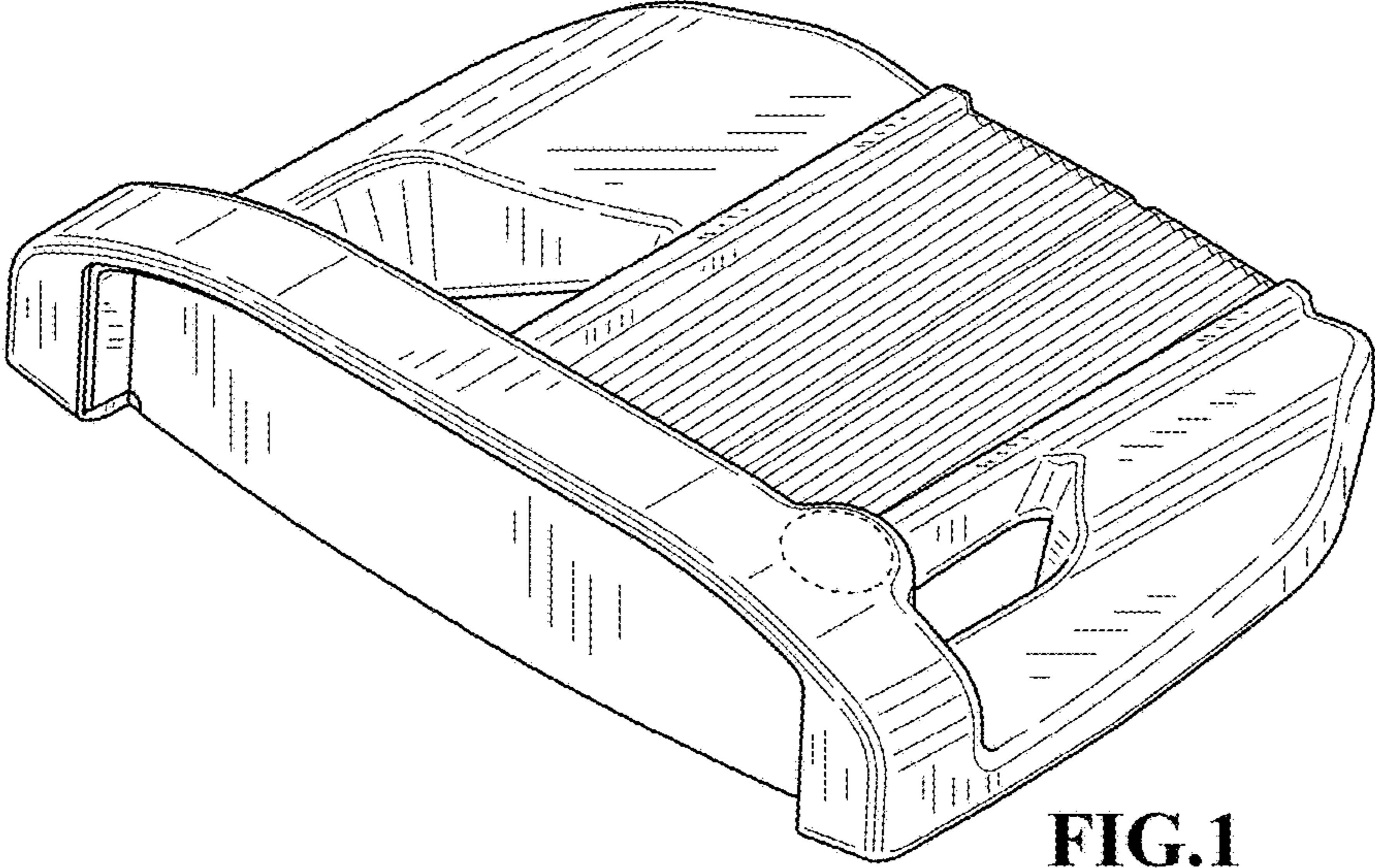


FIG.1

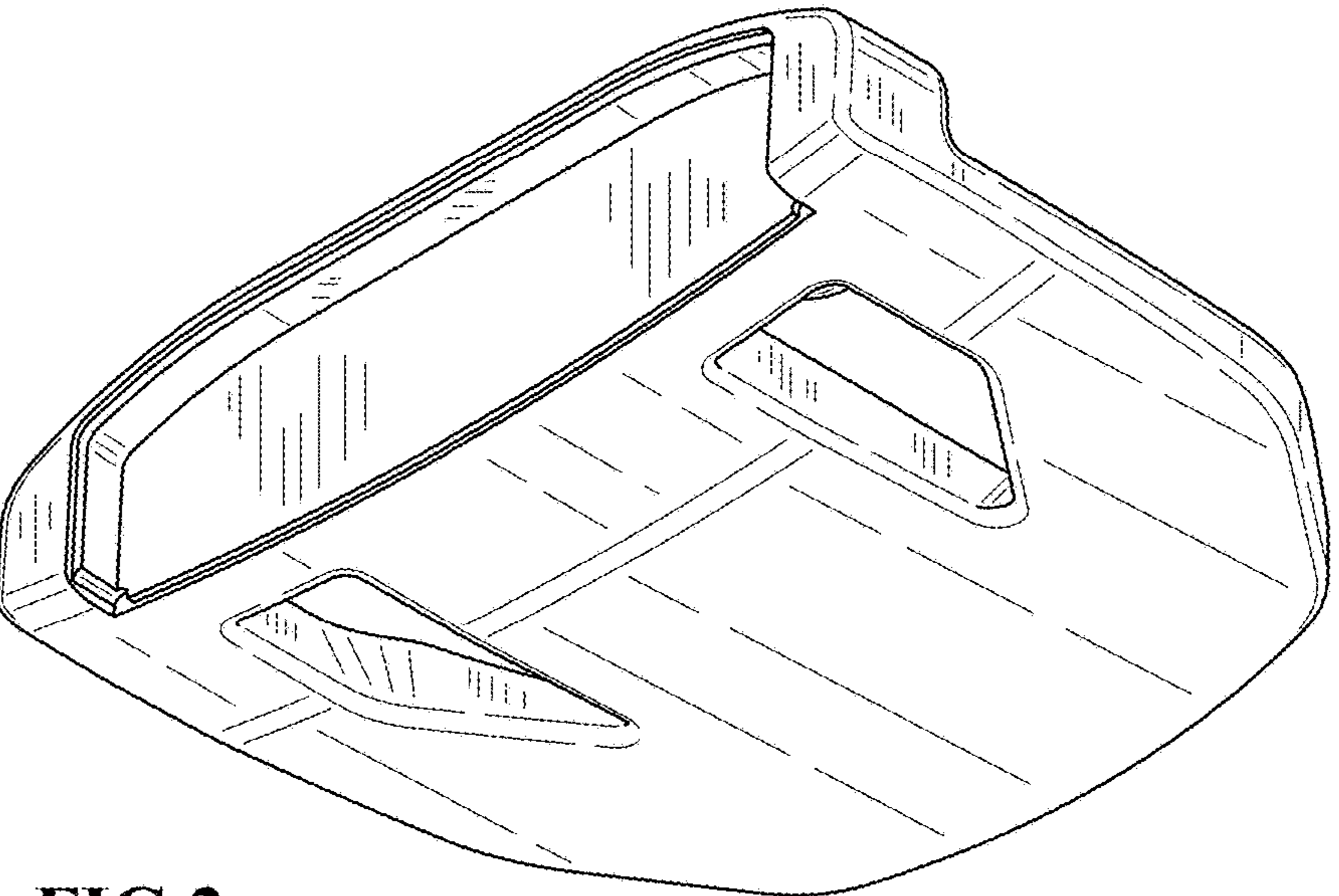


FIG.2

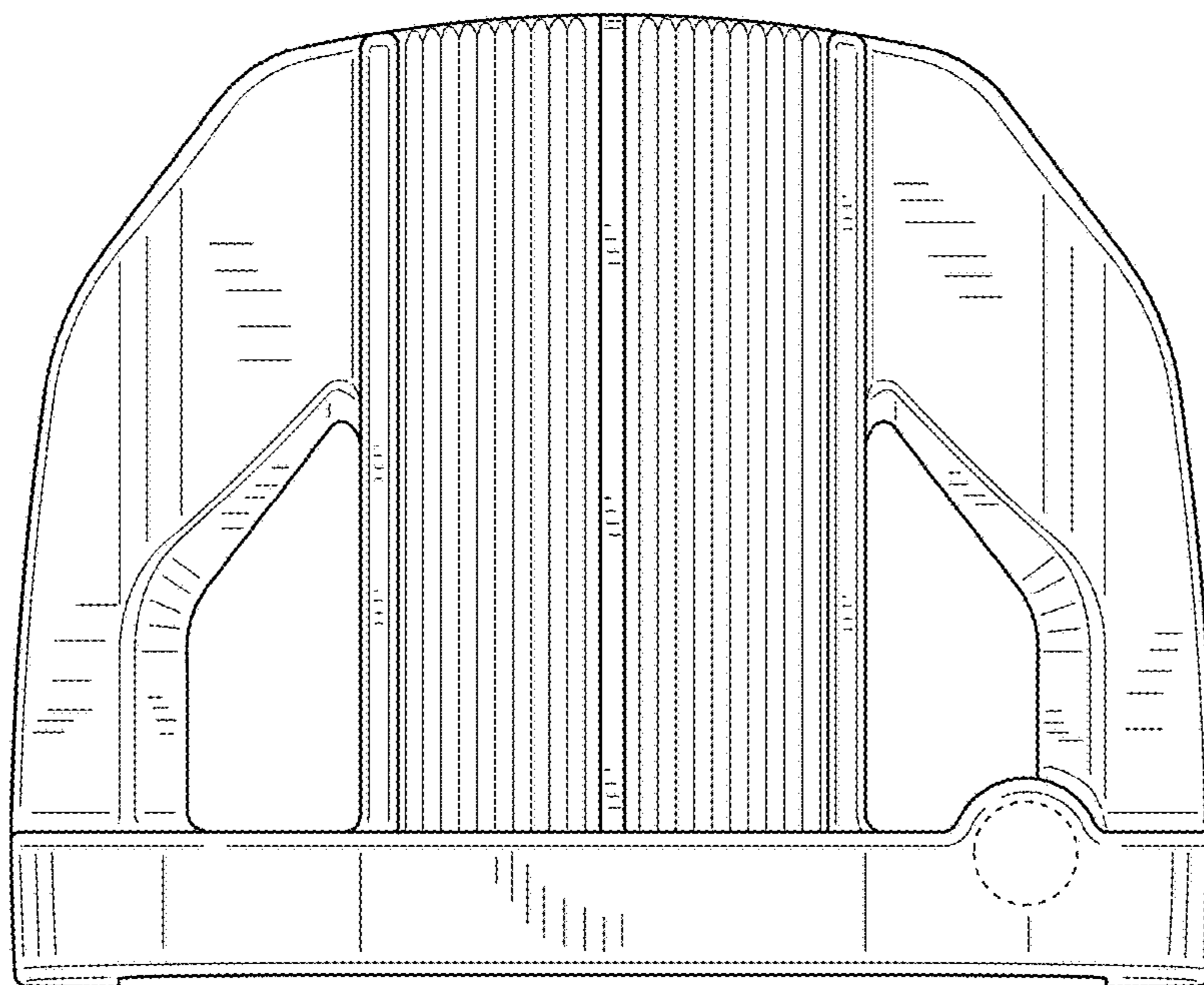


FIG.3

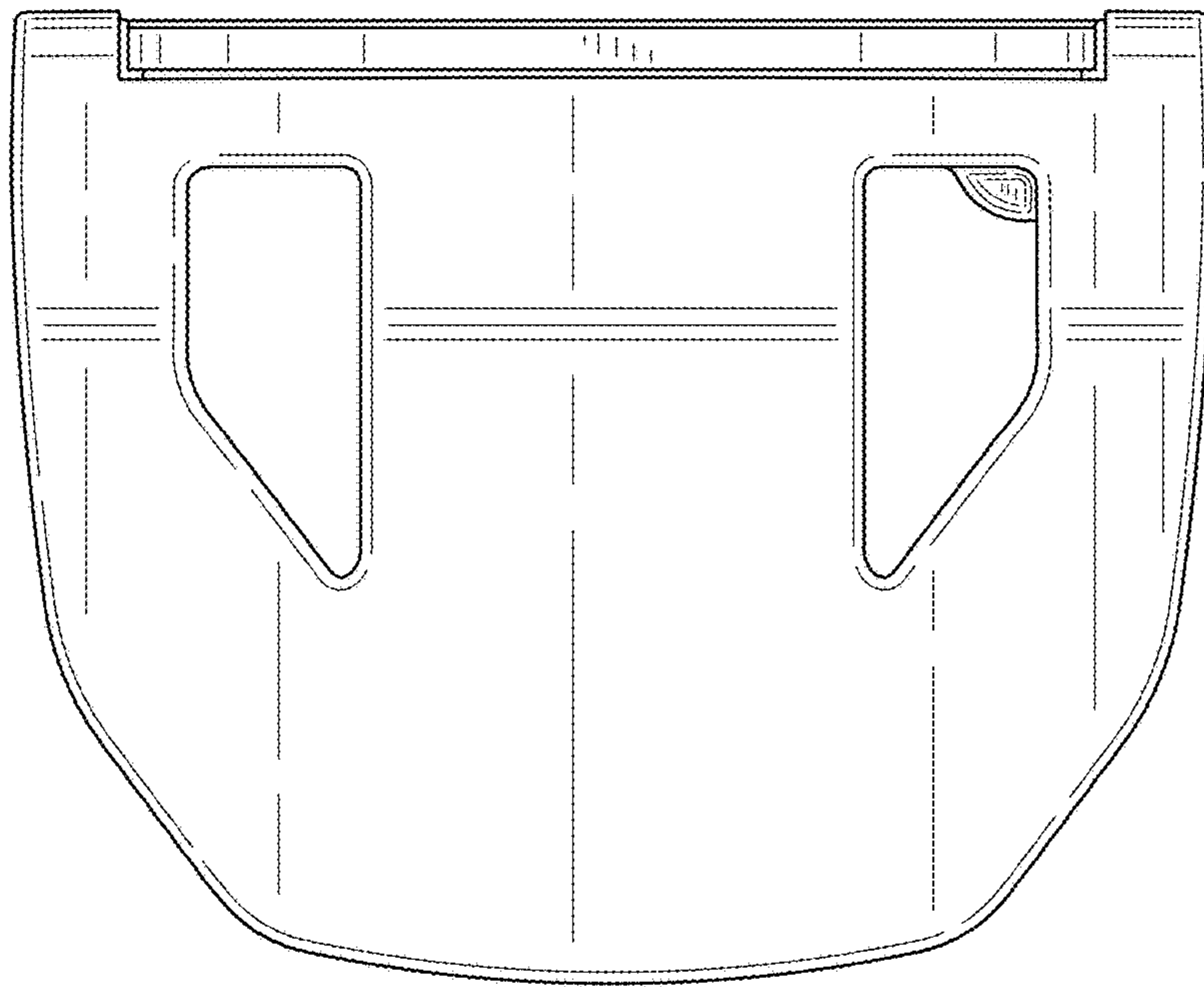


FIG.4

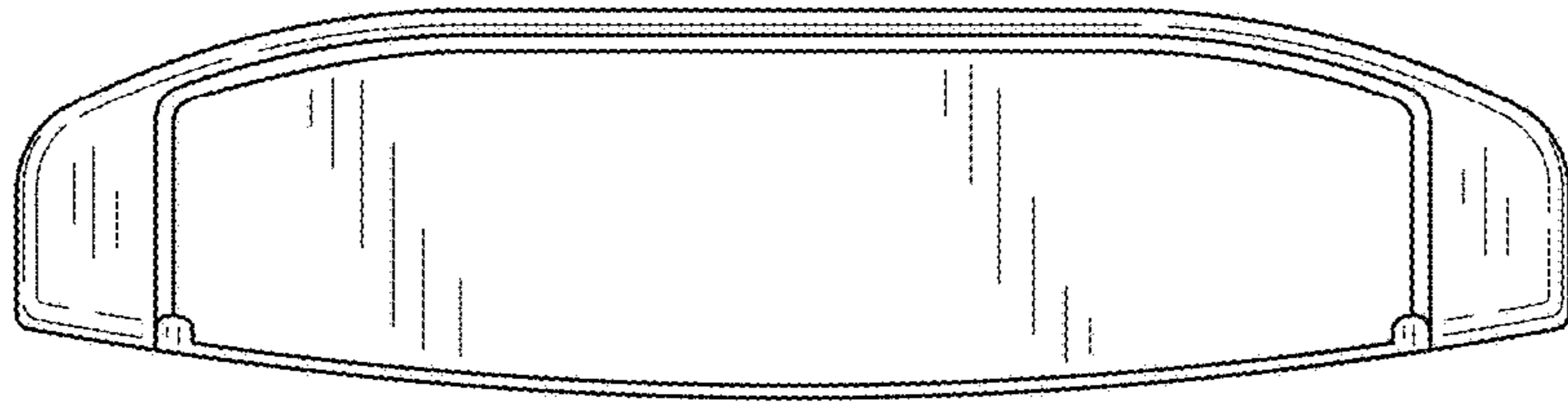


FIG. 5

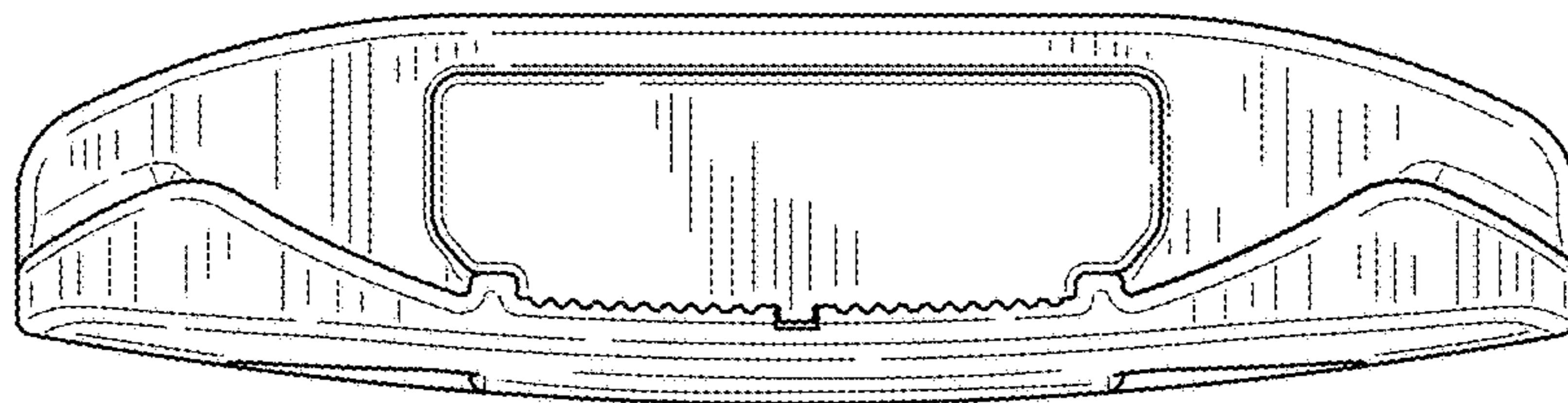


FIG. 6

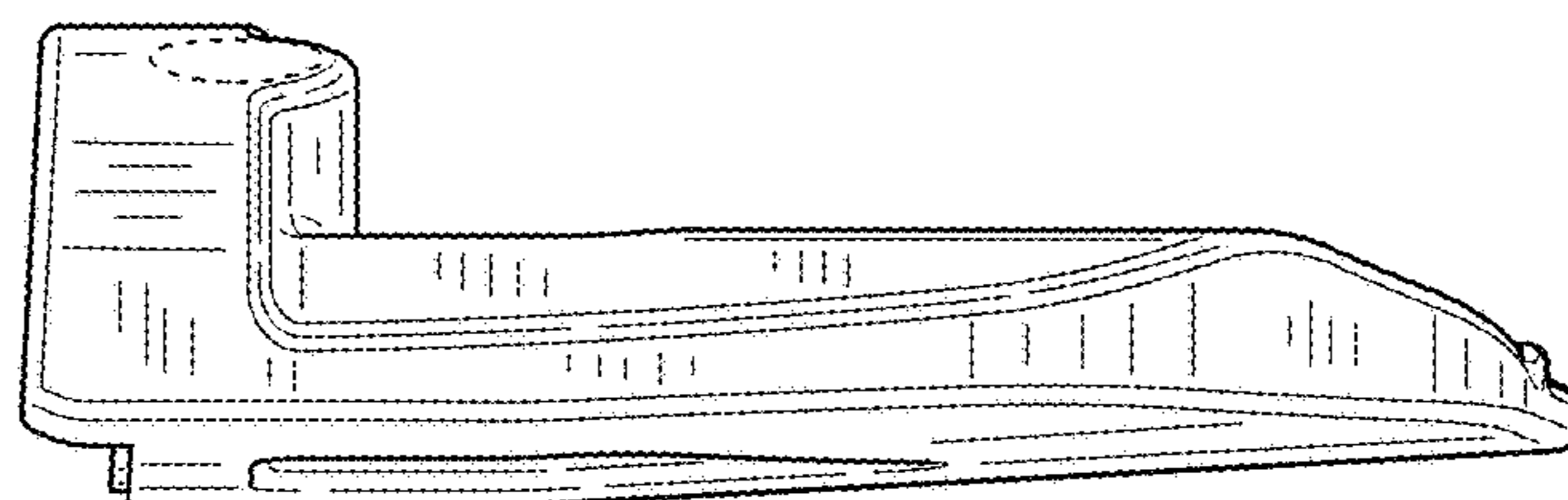


FIG. 7

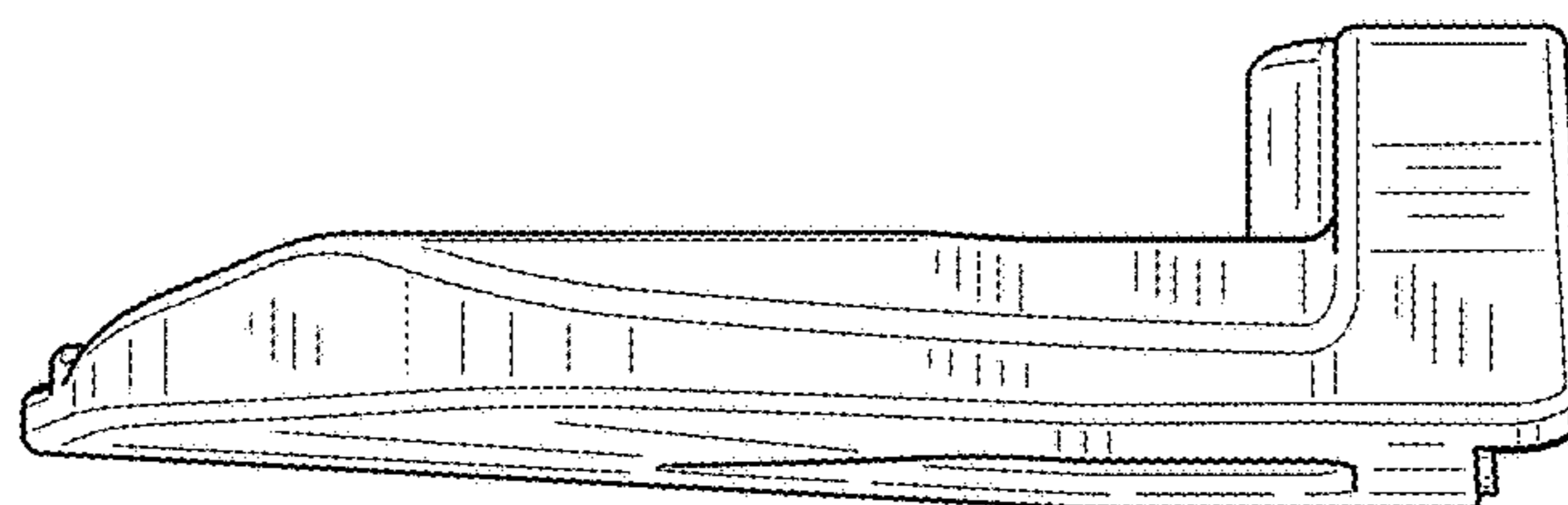


FIG. 8

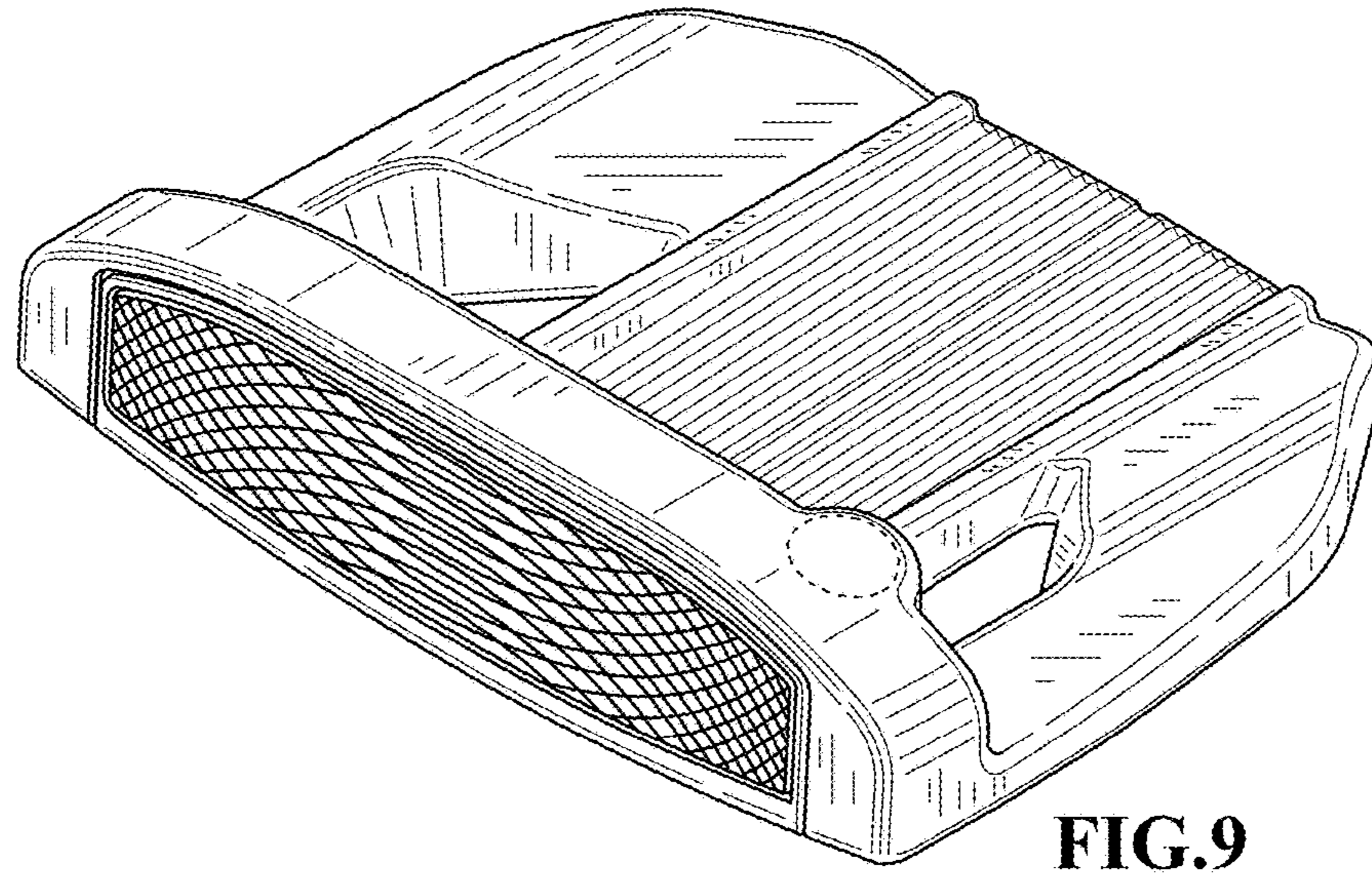


FIG. 9

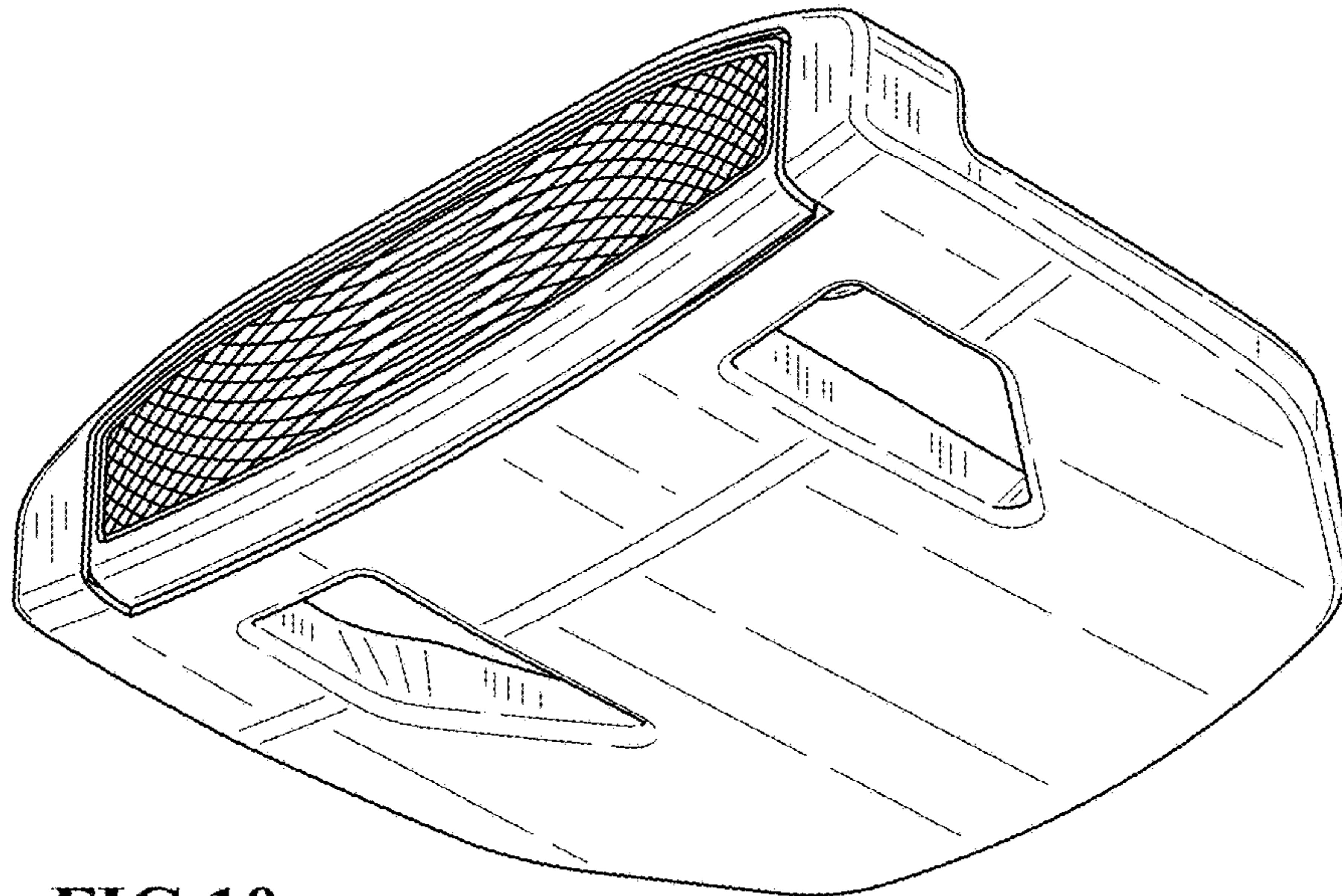


FIG. 10

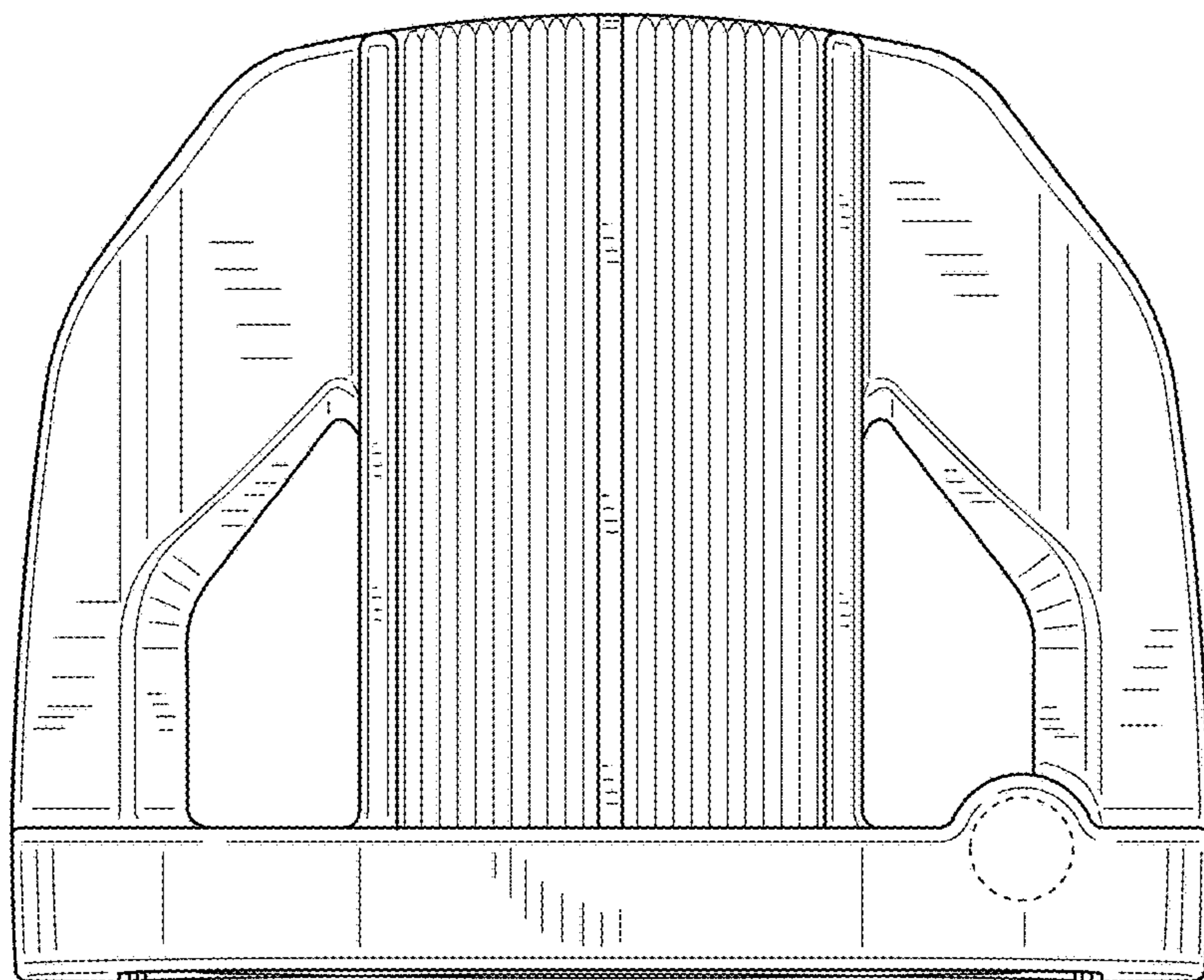


FIG.11

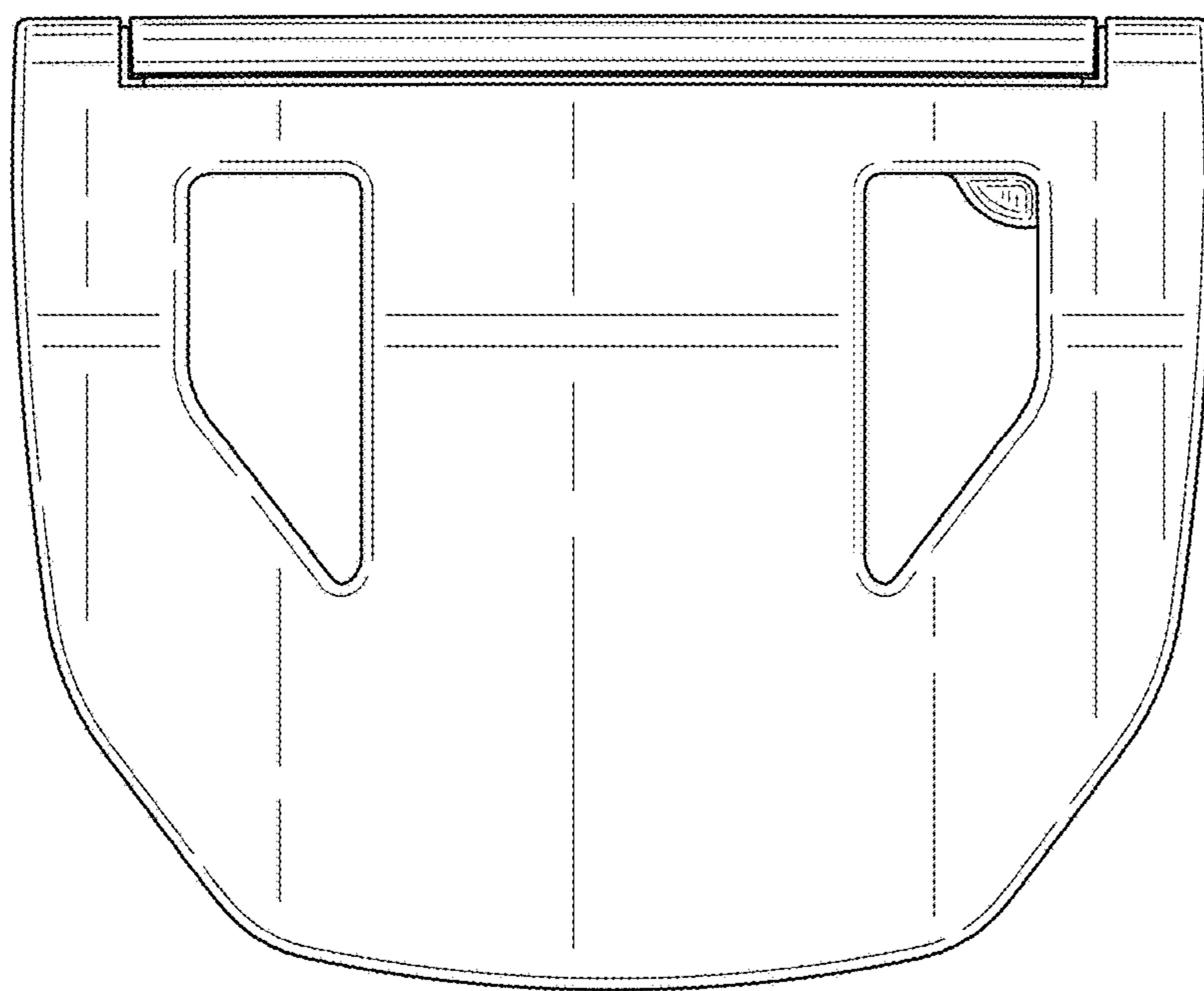


FIG.12

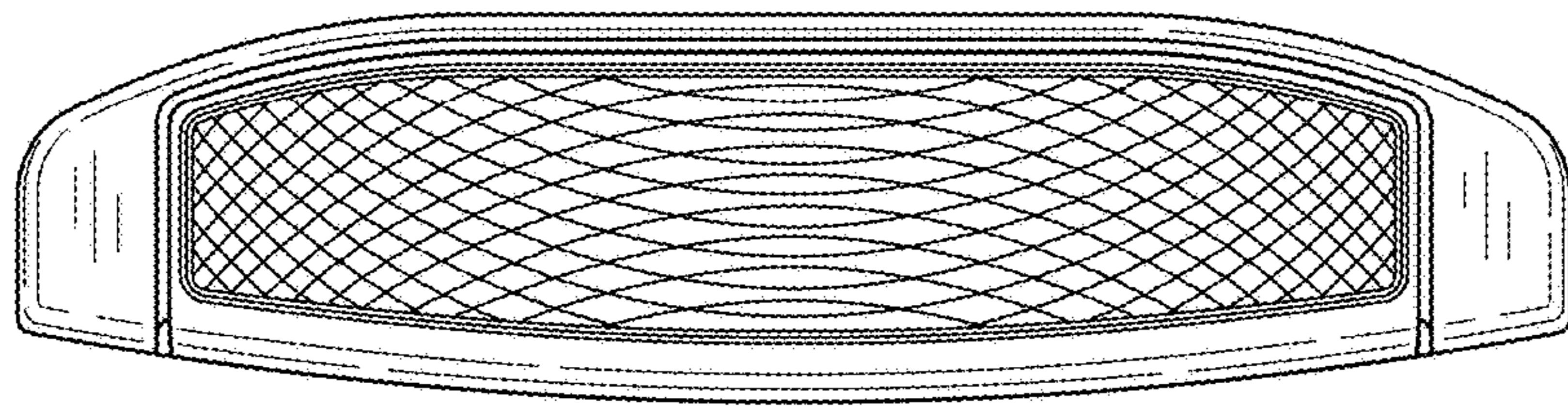


FIG.13

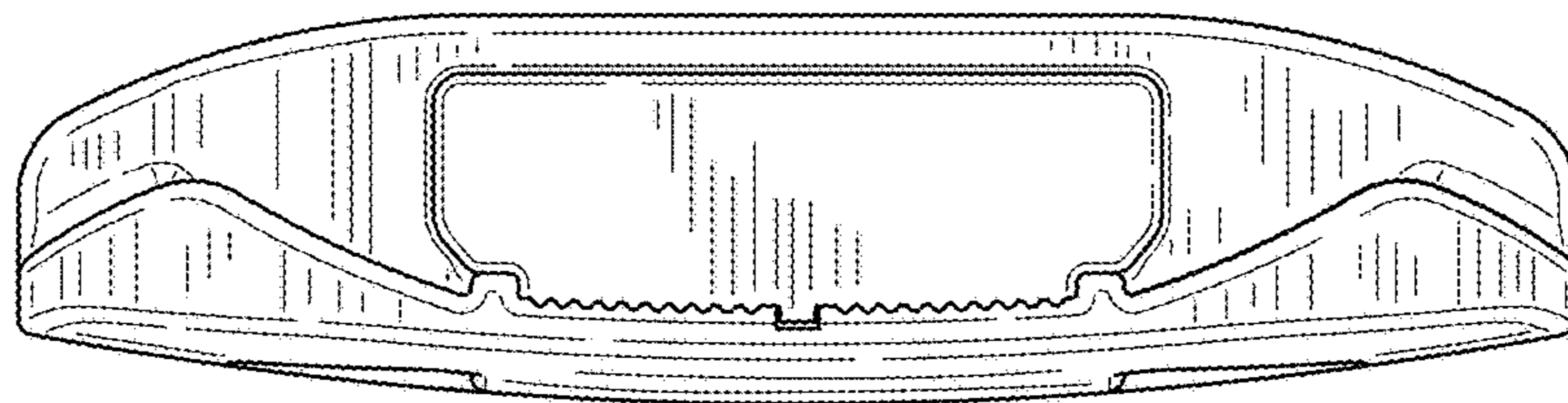


FIG.14

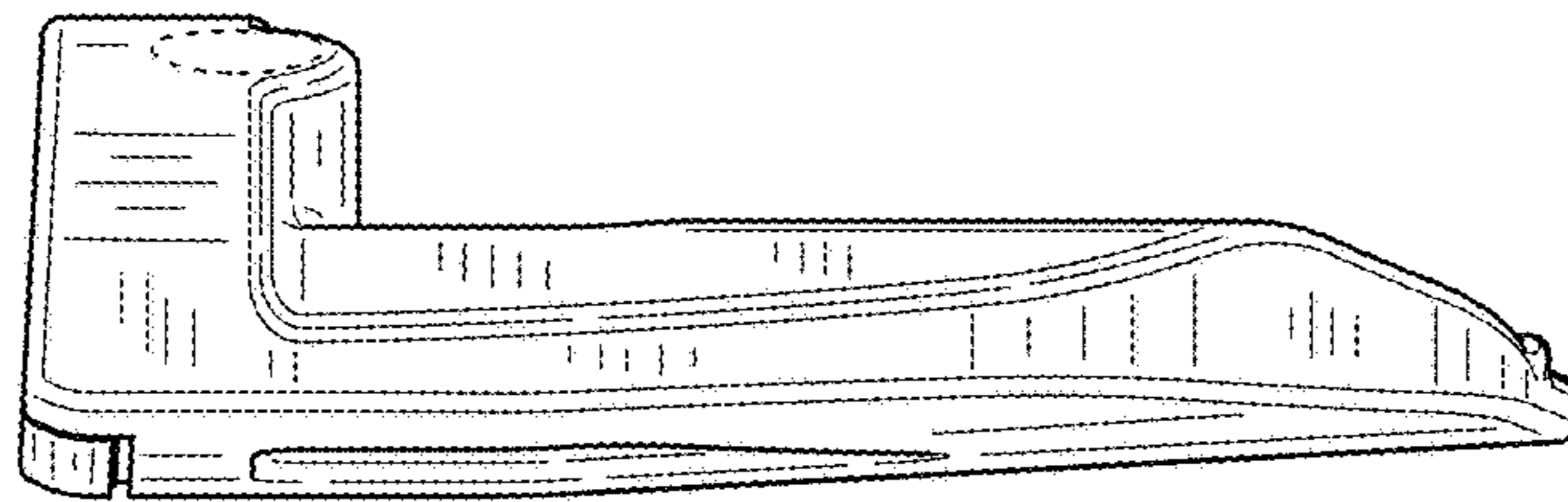


FIG.15

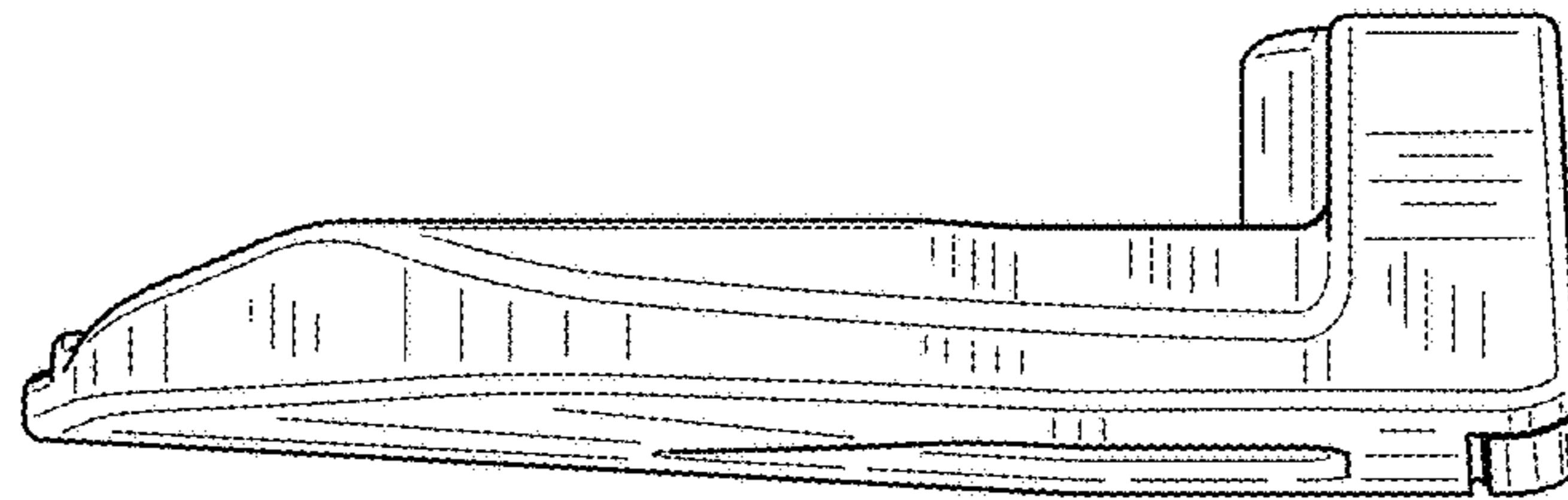


FIG.16