



US00D860354S

(12) **United States Design Patent**
Rollinson et al.

(10) **Patent No.:** **US D860,354 S**

(45) **Date of Patent:** **** Sep. 17, 2019**

- (54) **PUTTER HEAD**
- (71) Applicant: **Callaway Golf Company**, Carlsbad, CA (US)
- (72) Inventors: **Augustin W. Rollinson**, Solana Beach, CA (US); **Larry Tang**, Carlsbad, CA (US)
- (73) Assignee: **Callaway Golf Company**, Carlsbad, CA (US)
- (**) Term: **15 Years**
- (21) Appl. No.: **29/659,570**
- (22) Filed: **Aug. 9, 2018**
- (51) **LOC (12) Cl.** **21-02**
- (52) **U.S. Cl.**
USPC **D21/743**
- (58) **Field of Classification Search**
USPC D21/736-746, 759
CPC A63B 53/00; A63B 53/04; A63B 53/007;
A63B 53/065; A63B 53/0487; A63B
60/00; A63B 60/46
See application file for complete search history.

7,601,076	B2 *	10/2009	Rollinson	A63B 53/0487 473/288
D621,460	S *	8/2010	Serrano	D21/742
D621,461	S *	8/2010	Serrano	D21/742
D623,710	S *	9/2010	Hilton	A63B 53/0487 D21/743
D664,617	S *	7/2012	Serrano	D21/743
D732,618	S *	6/2015	Becktor	D21/742
D793,502	S *	8/2017	Cardani	D21/743
D800,855	S *	10/2017	Rollinson	D21/742
10,124,221	B2 *	11/2018	Parsons	A63B 53/0487
D842,952	S *	3/2019	Schweigert	D21/743
D848,562	S *	5/2019	Nicolette	D21/736
2004/0132542	A1 *	7/2004	Olsavsky	A63B 53/0487 473/336
2009/0105008	A1 *	4/2009	Kuan	A63B 53/0487 473/340

* cited by examiner

Primary Examiner — Mitchell I. Siegel

(74) *Attorney, Agent, or Firm* — Rebecca Hanovice;
Michael Catania; Sonia Lari

(57) **CLAIM**

The ornamental design for a putter head, as shown and described.

DESCRIPTION

FIG. 1 is a rear perspective view of the putter head claimed herein;

FIG. 2 is a rear elevational view thereof;

FIG. 3 is a front elevational view thereof;

FIG. 4 is a right side elevational view thereof;

FIG. 5 is a left side elevational view thereof;

FIG. 6 is a top plan view thereof; and,

FIG. 7 is a bottom plan view thereof.

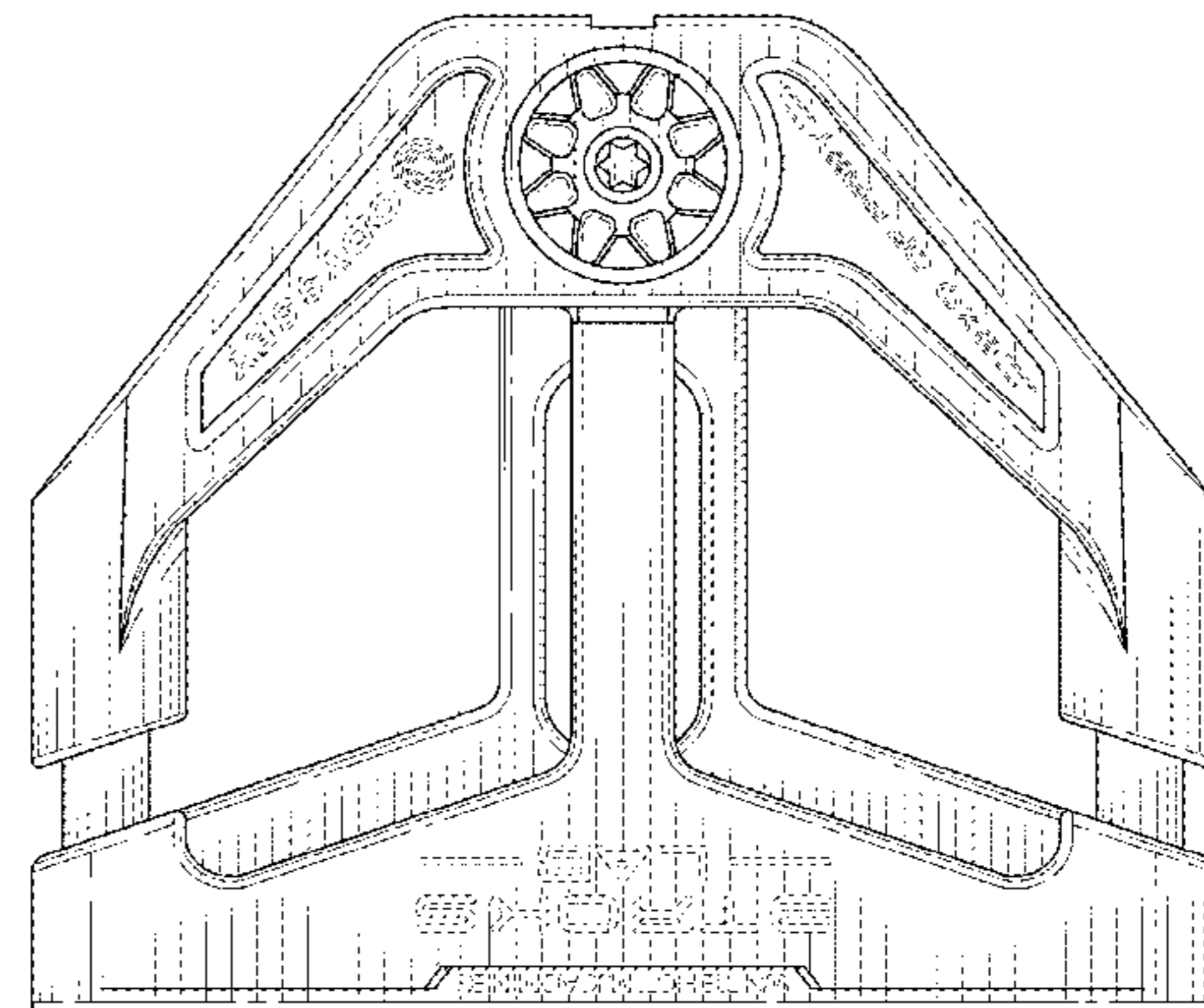
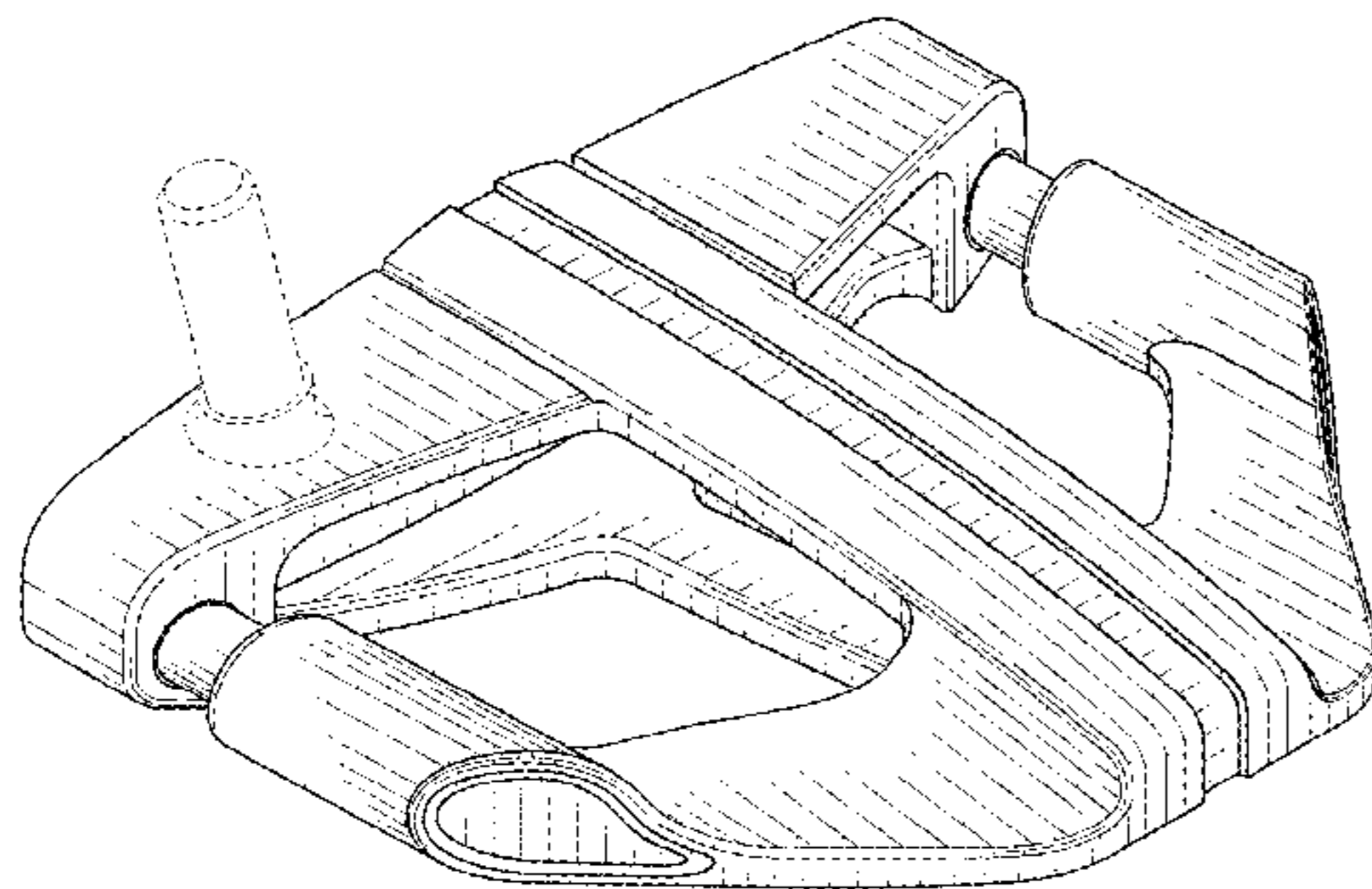
The broken lines shown are included for the purpose of illustrating unclaimed subject matter and form no part of the claimed design.

1 Claim, 5 Drawing Sheets

(56) **References Cited**

U.S. PATENT DOCUMENTS

D493,857	S *	8/2004	Cameron	D21/738
D506,796	S *	6/2005	Li	D21/742
D507,316	S *	7/2005	Li	D21/742
D518,127	S *	3/2006	Tang	D21/742
D537,135	S *	2/2007	Rollinson	D21/742
D557,361	S *	12/2007	Rollinson	D21/743
D561,854	S *	2/2008	Morris	D21/744
D569,461	S *	5/2008	Morris	D21/744
D575,366	S *	8/2008	Rollinson	D21/744
D594,073	S *	6/2009	Kadoya	D21/744
D595,793	S *	7/2009	Rollinson	D21/736



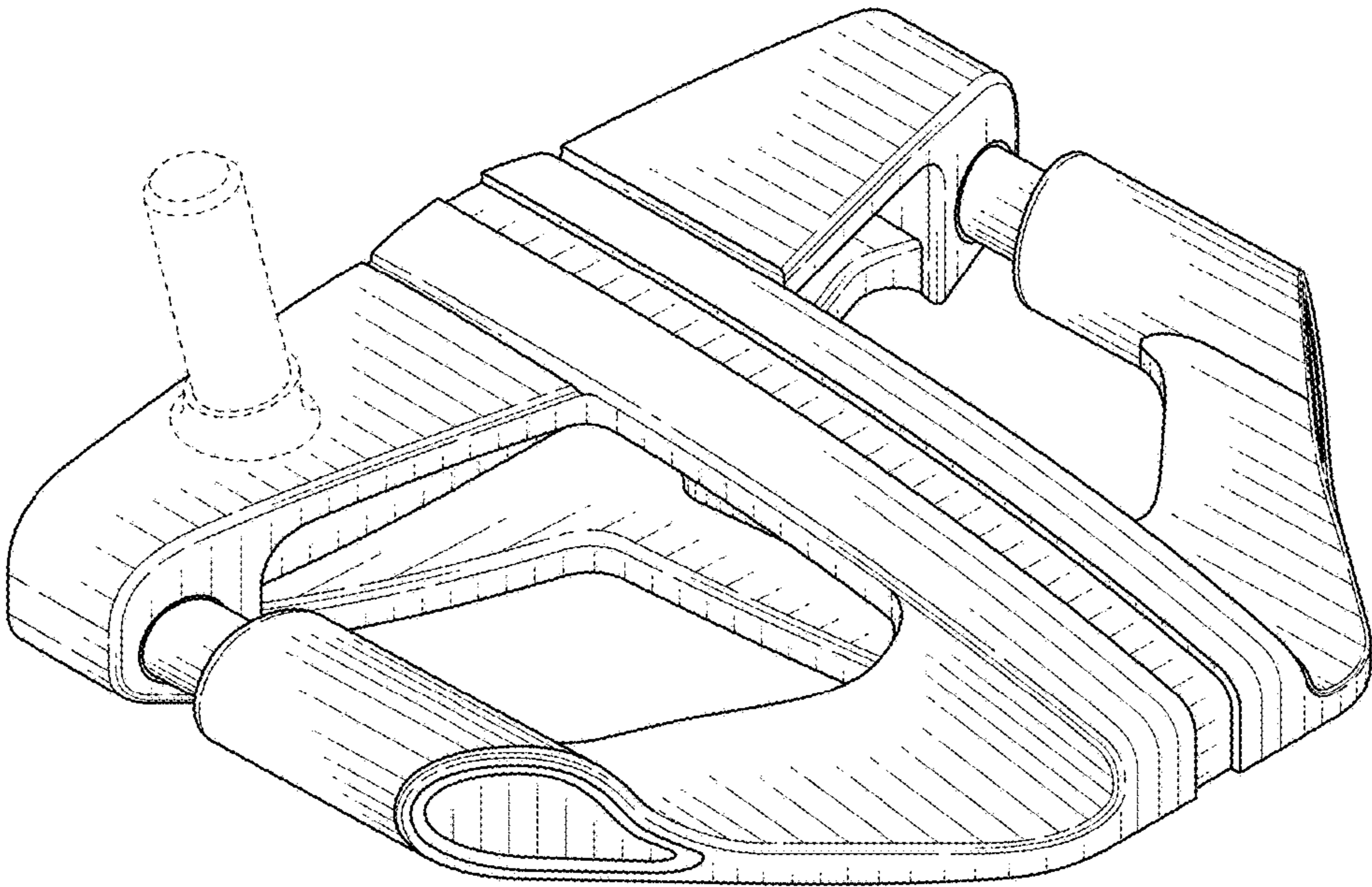


FIG. 1

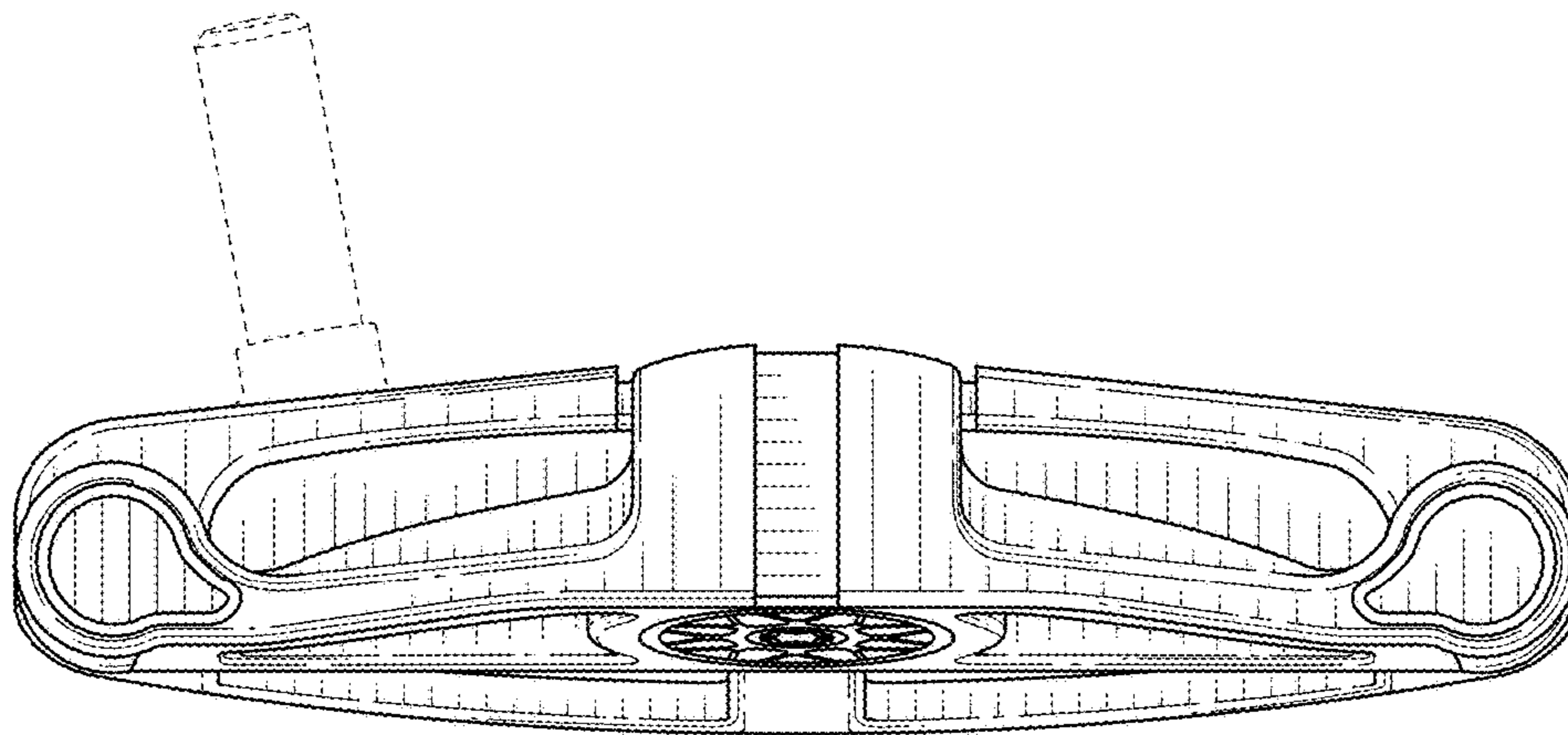


FIG. 2

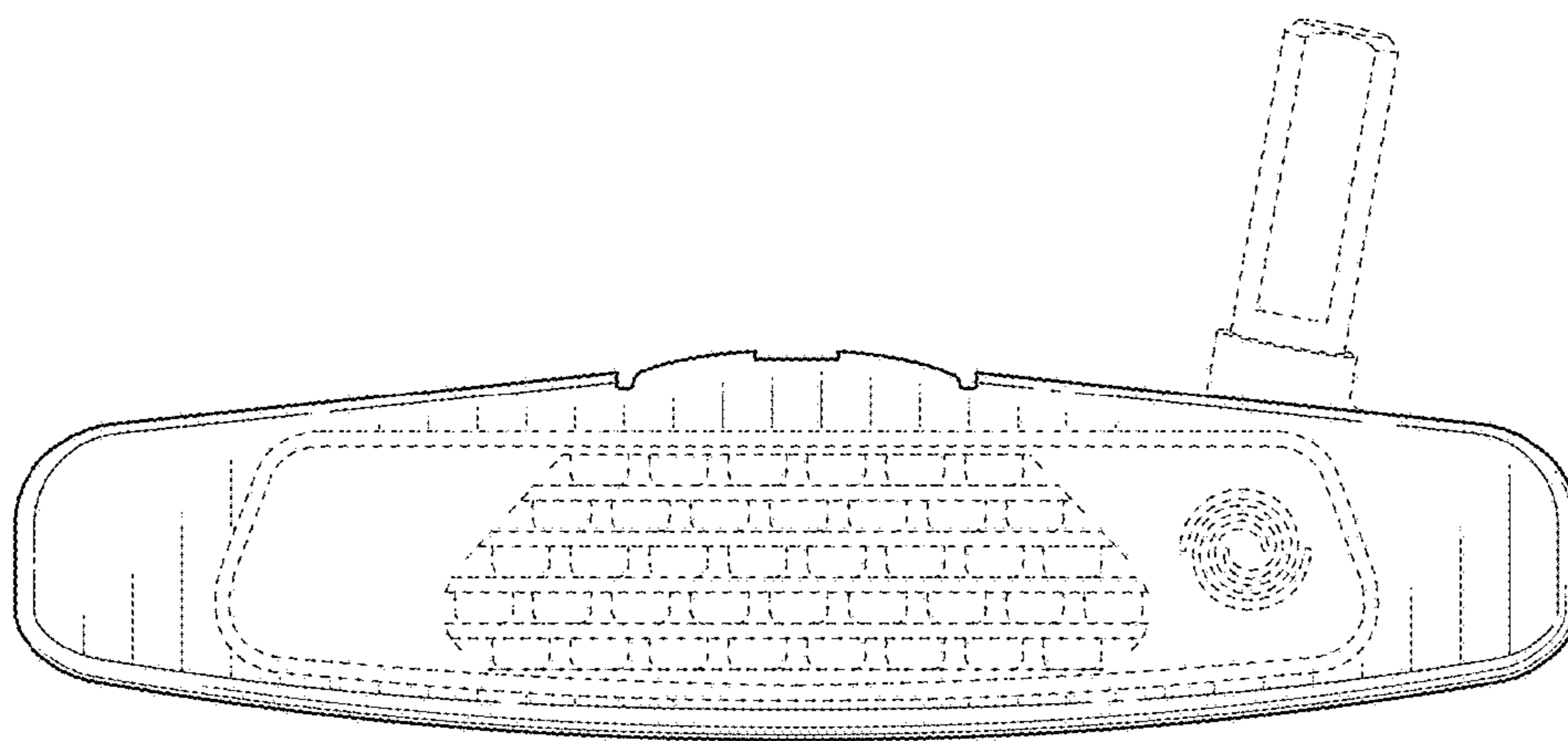


FIG. 3

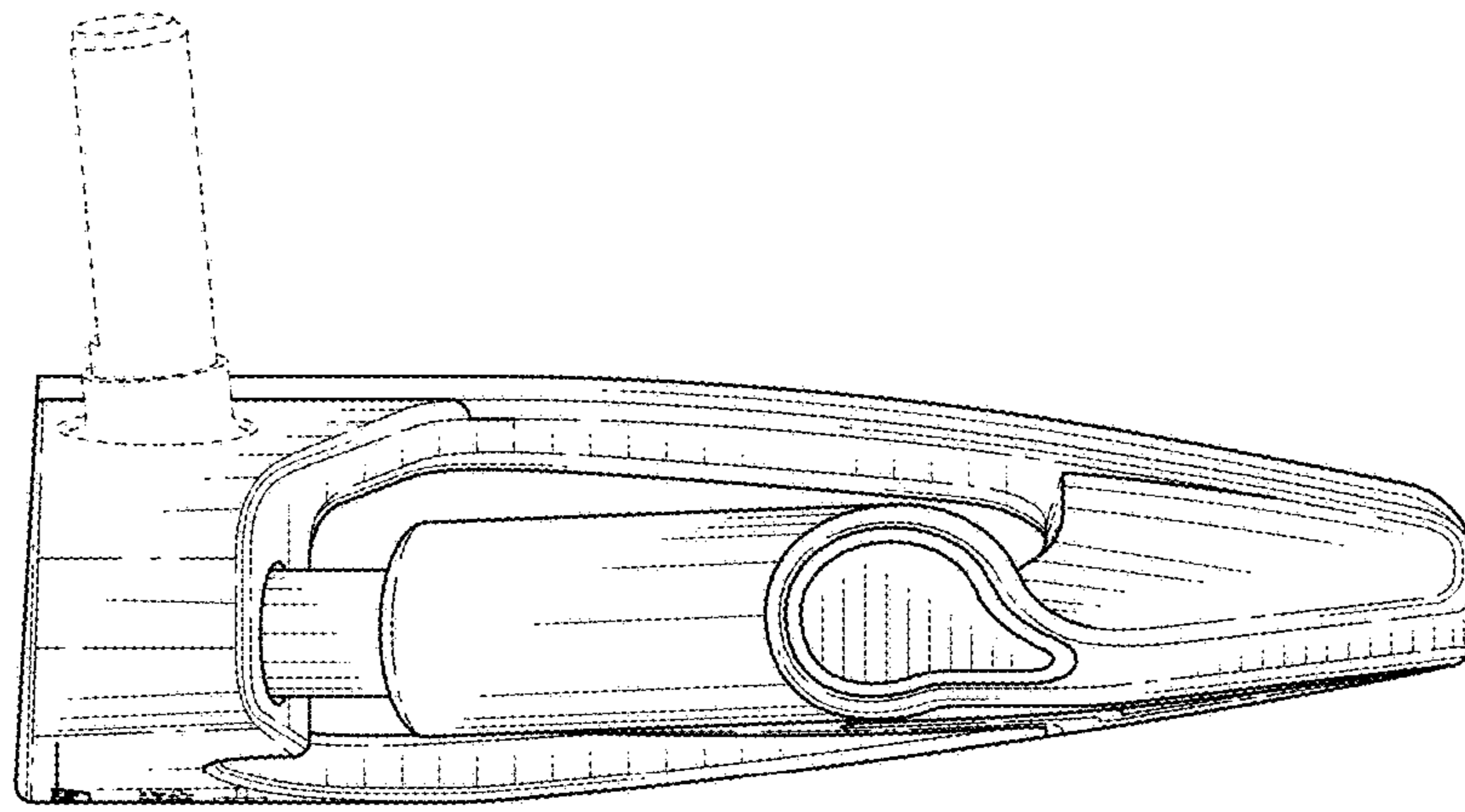


FIG. 4

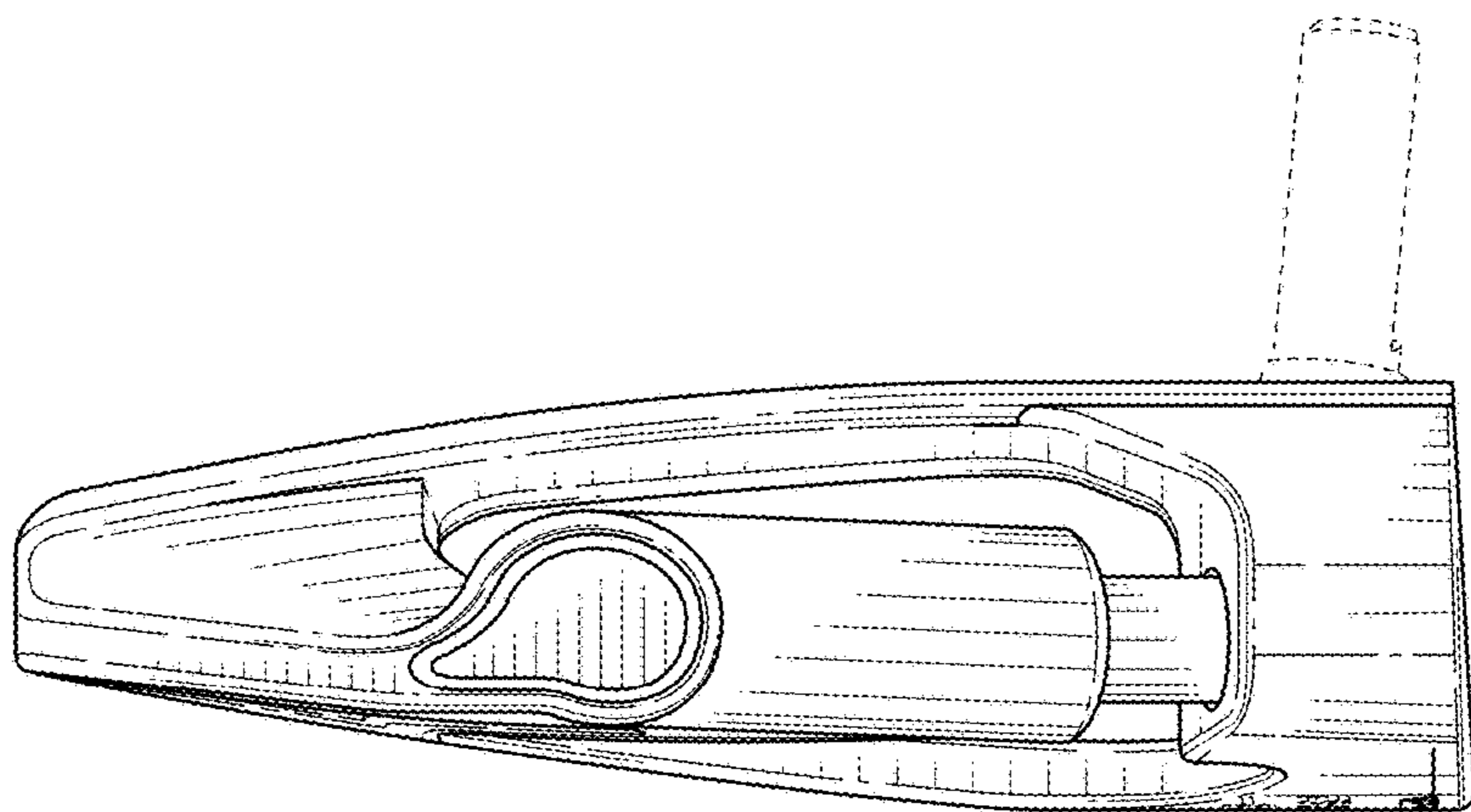


FIG. 5

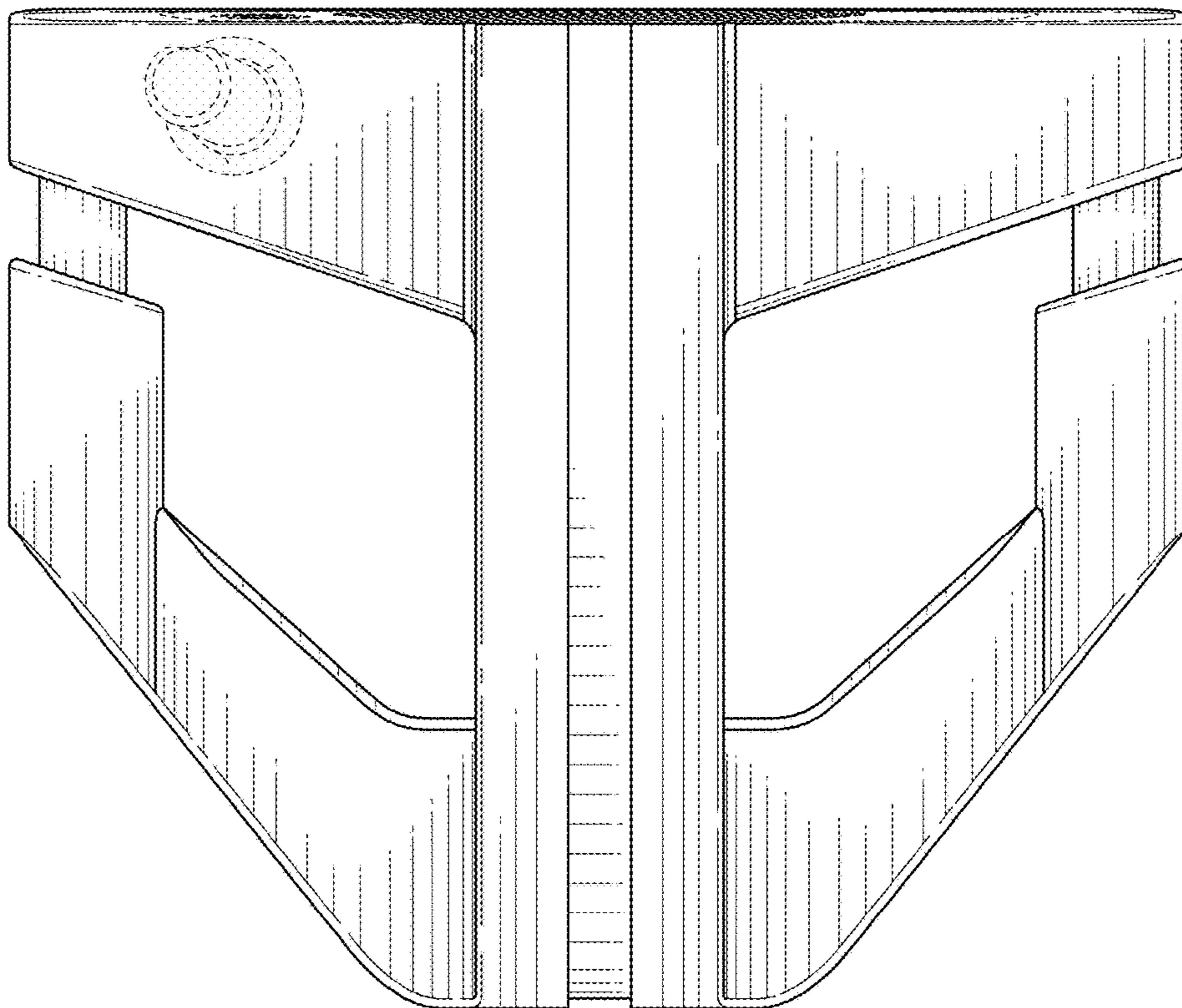


FIG. 6

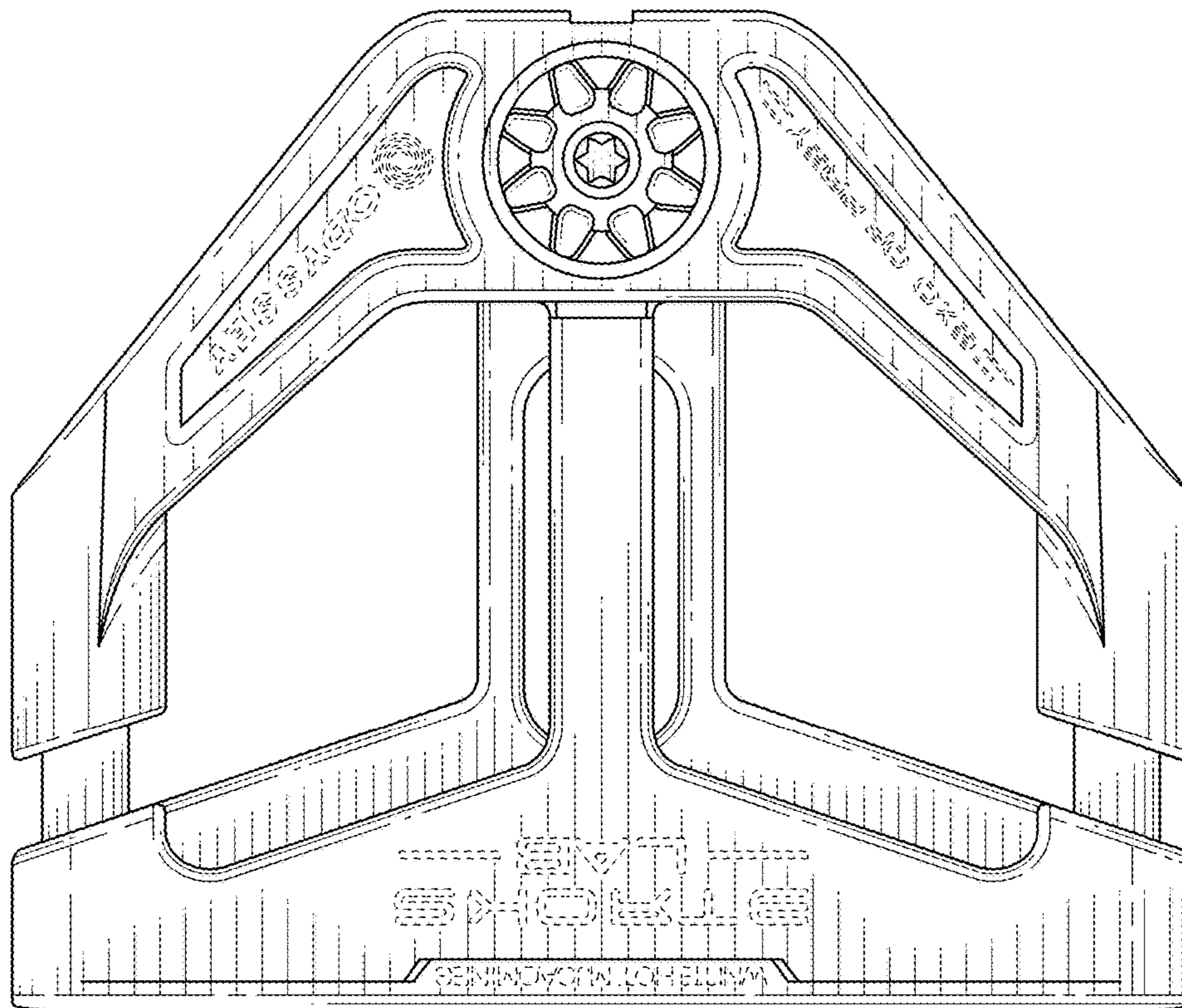


FIG. 7