

US00D860351S

(12) **United States Design Patent**  
**Rollinson**

(10) **Patent No.:** **US D860,351 S**

(45) **Date of Patent:** **\*\* Sep. 17, 2019**

(54) **PUTTER HEAD**

(71) Applicant: **Callaway Golf Company**, Carlsbad,  
CA (US)

(72) Inventor: **Augustin W. Rollinson**, Solana Beach,  
CA (US)

(73) Assignee: **Callaway Golf Company**, Carlsbad,  
CA (US)

(\*\*) Term: **15 Years**

(21) Appl. No.: **29/659,555**

(22) Filed: **Aug. 9, 2018**

(51) **LOC (12) Cl.** ..... **21-02**

(52) **U.S. Cl.**  
USPC ..... **D21/743**

(58) **Field of Classification Search**  
USPC ..... D21/736-746, 759  
CPC ..... A63B 53/00; A63B 53/04; A63B 53/007;  
A63B 53/065; A63B 53/0487; A63B  
60/00; A63B 60/46  
See application file for complete search history.

(56) **References Cited**

**U.S. PATENT DOCUMENTS**

D207,227 S *	3/1967	Solheim	.....	D21/739
D239,951 S *	5/1976	Carrier	.....	D21/742
D346,002 S *	4/1994	Collins	.....	D21/744
D389,207 S *	1/1998	Cameron	.....	D21/742
D426,599 S *	6/2000	Morgan et al.	.....	D21/736
D438,272 S *	2/2001	Moore	.....	D21/736
D443,320 S *	6/2001	Breier	.....	D21/743
D443,906 S *	6/2001	Hettinger et al.	.....	D21/743
D449,085 S *	10/2001	Breier et al.	.....	D21/744
D482,088 S *	11/2003	DeLaCruz	.....	D21/743
D483,823 S *	12/2003	Swist	.....	D21/736
D498,276 S *	11/2004	Schweigert et al.	.....	D21/743
D521,580 S *	5/2006	Burrows	.....	D21/736

D548,294 S *	8/2007	Nguyen et al.	.....	21/736
D552,196 S *	10/2007	Hueber	.....	D21/742
D559,930 S *	1/2008	Cameron	.....	D21/746
D562,921 S *	2/2008	Nguyen et al.	.....	D21/742
D574,909 S *	8/2008	Jones	.....	D21/743
D583,887 S *	12/2008	Cameron	.....	D21/743
D588,658 S *	3/2009	De La Cruz	.....	D21/746
D590,462 S *	4/2009	Hettinger et al.	.....	D21/743
D599,423 S *	9/2009	Serrano	.....	D21/736
D629,856 S *	12/2010	Parkinson	.....	D21/743
D633,964 S *	3/2011	Teramoto	.....	D21/743
D638,892 S *	5/2011	Hettinger et al.	.....	D21/743
D643,893 S *	8/2011	Rollinson	.....	D21/742
D648,407 S *	11/2011	Teramoto	.....	D21/743
D650,453 S *	12/2011	Rollinson	.....	D21/736
D650,456 S *	12/2011	Tang et al.	.....	D21/743
D655,361 S *	3/2012	Ramsauer	.....	D21/743
D688,339 S *	8/2013	Hilton	.....	D21/736
D689,574 S *	9/2013	Rollinson	.....	D21/743

(Continued)

*Primary Examiner* — Mitchell I. Siegel

(74) *Attorney, Agent, or Firm* — Rebecca Hanovice;  
Michael Catania; Sonia Lari

(57) **CLAIM**

The ornamental design for a putter head, as shown and described.

**DESCRIPTION**

FIG. 1 is a rear perspective view of the putter head claimed herein;

FIG. 2 is a rear elevational view thereof;

FIG. 3 is a front elevational view thereof;

FIG. 4 is a right side elevational view thereof;

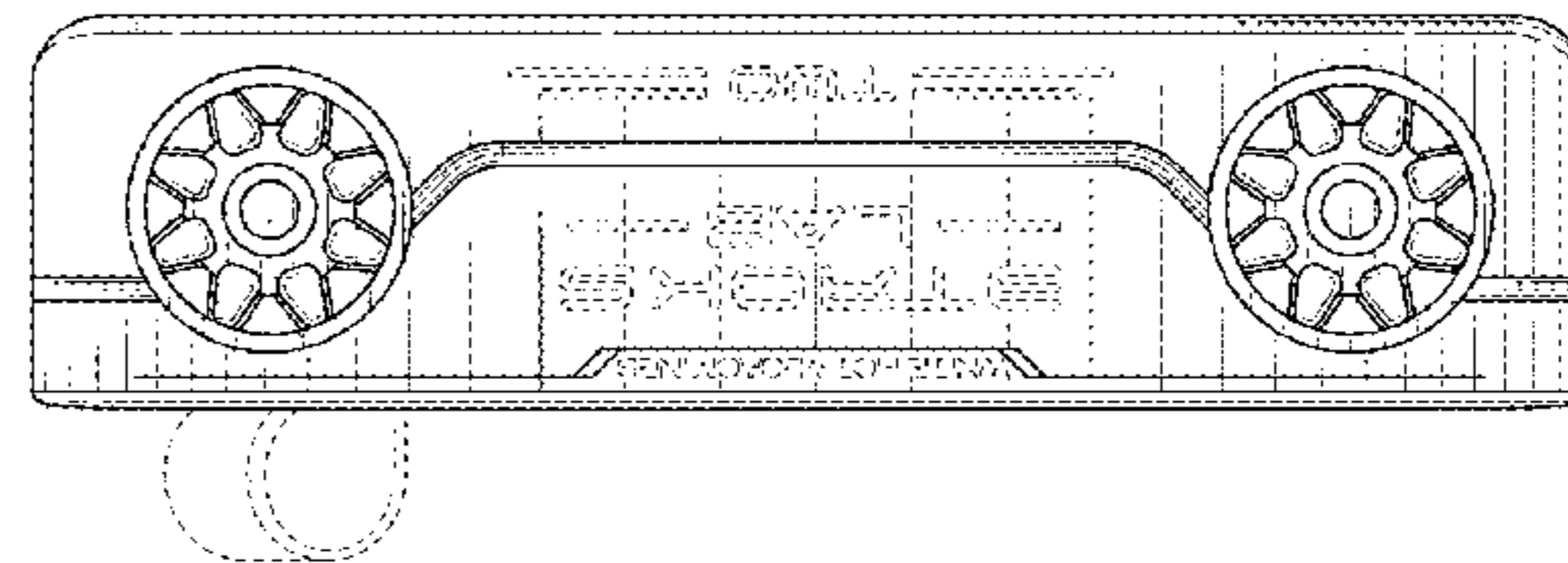
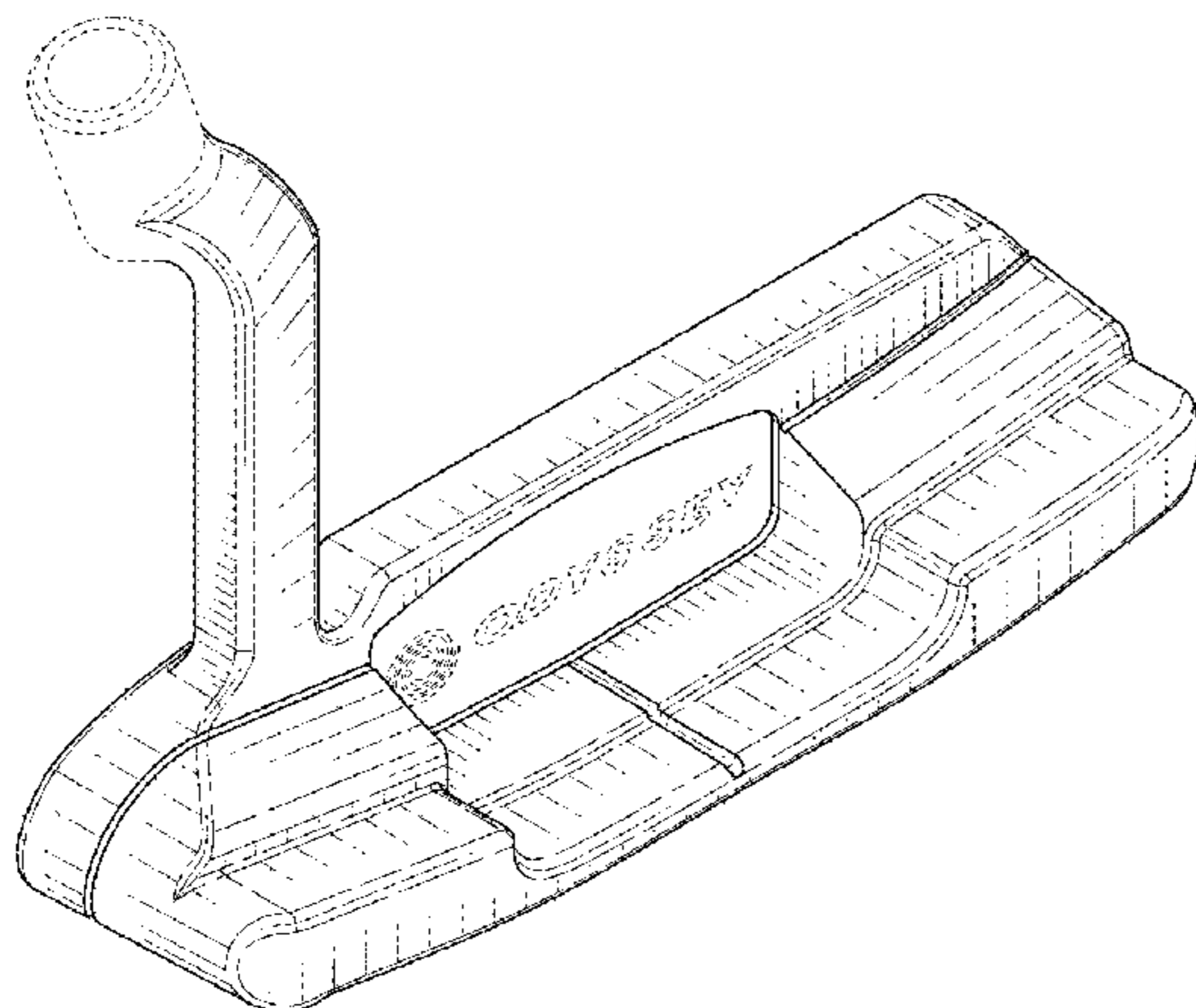
FIG. 5 is a left side elevational view thereof;

FIG. 6 is a top plan view thereof; and,

FIG. 7 is a bottom plan view thereof.

The broken lines shown are included for the purpose of illustrating unclaimed subject matter and form no part of the claimed design.

**1 Claim, 4 Drawing Sheets**



(56)

**References Cited**

U.S. PATENT DOCUMENTS

D702,782	S	*	4/2014	Wempe	.....	D21/743
9,033,812	B2	*	5/2015	Solheim	.....	A63B 53/007
						473/238
D763,373	S	*	8/2016	Cardani	.....	D21/736
D769,383	S	*	10/2016	Abbott	.....	D21/743
D796,597	S	*	9/2017	Serrano	.....	D21/736
D817,425	S	*	5/2018	Toulon	.....	D21/759
D837,315	S	*	1/2019	Rollinson	.....	D21/742

\* cited by examiner

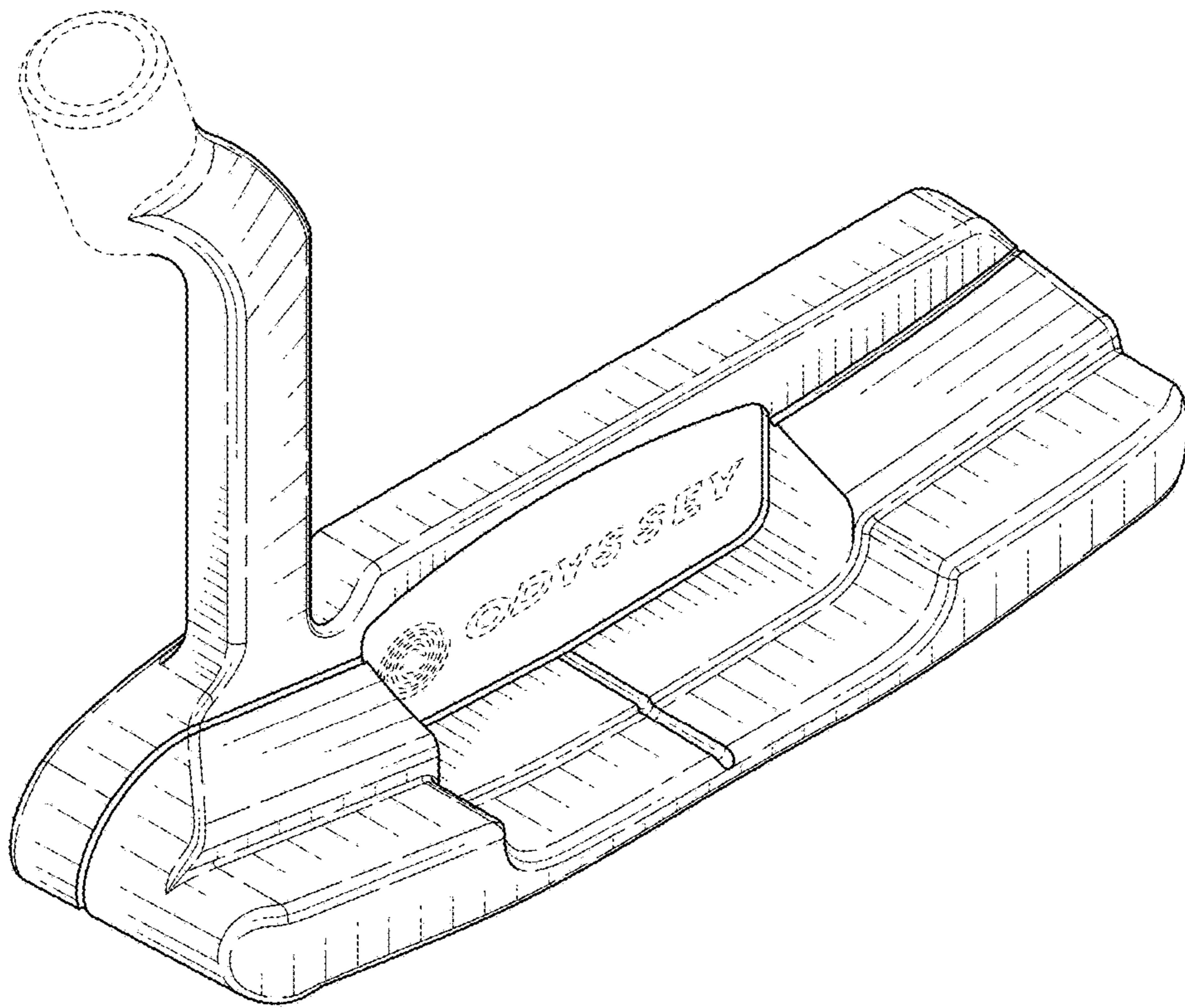


FIG. 1

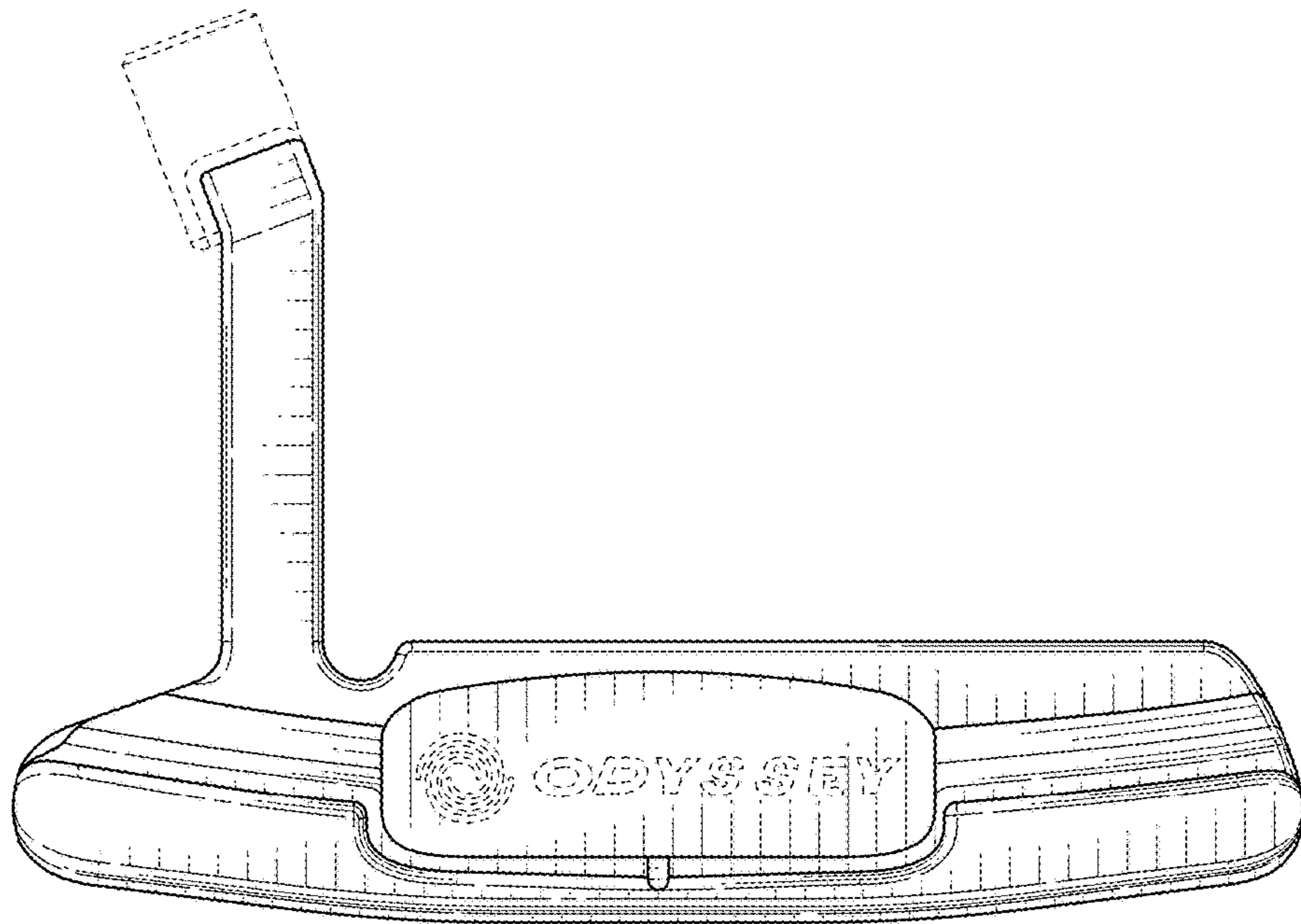


FIG. 2

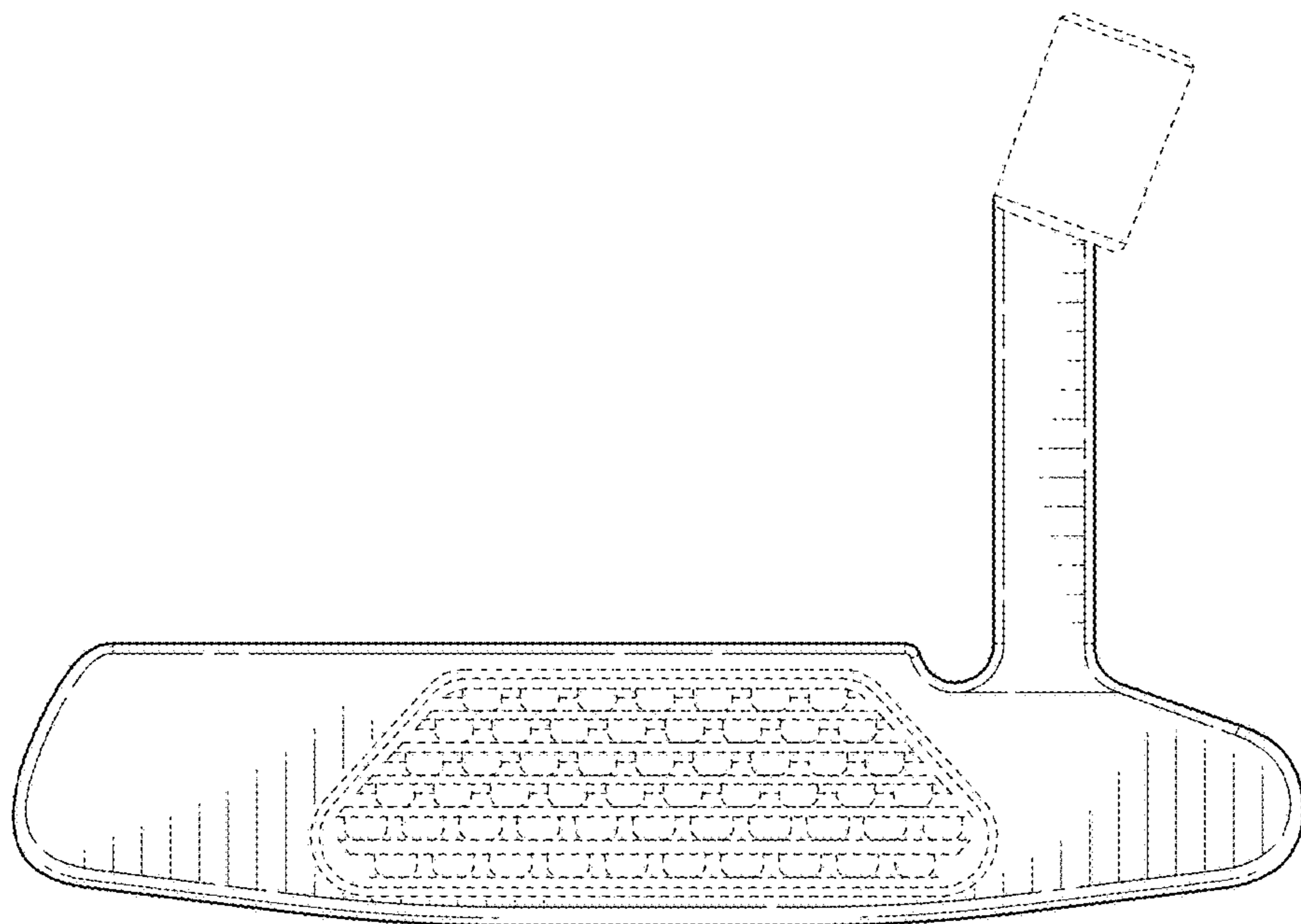


FIG. 3



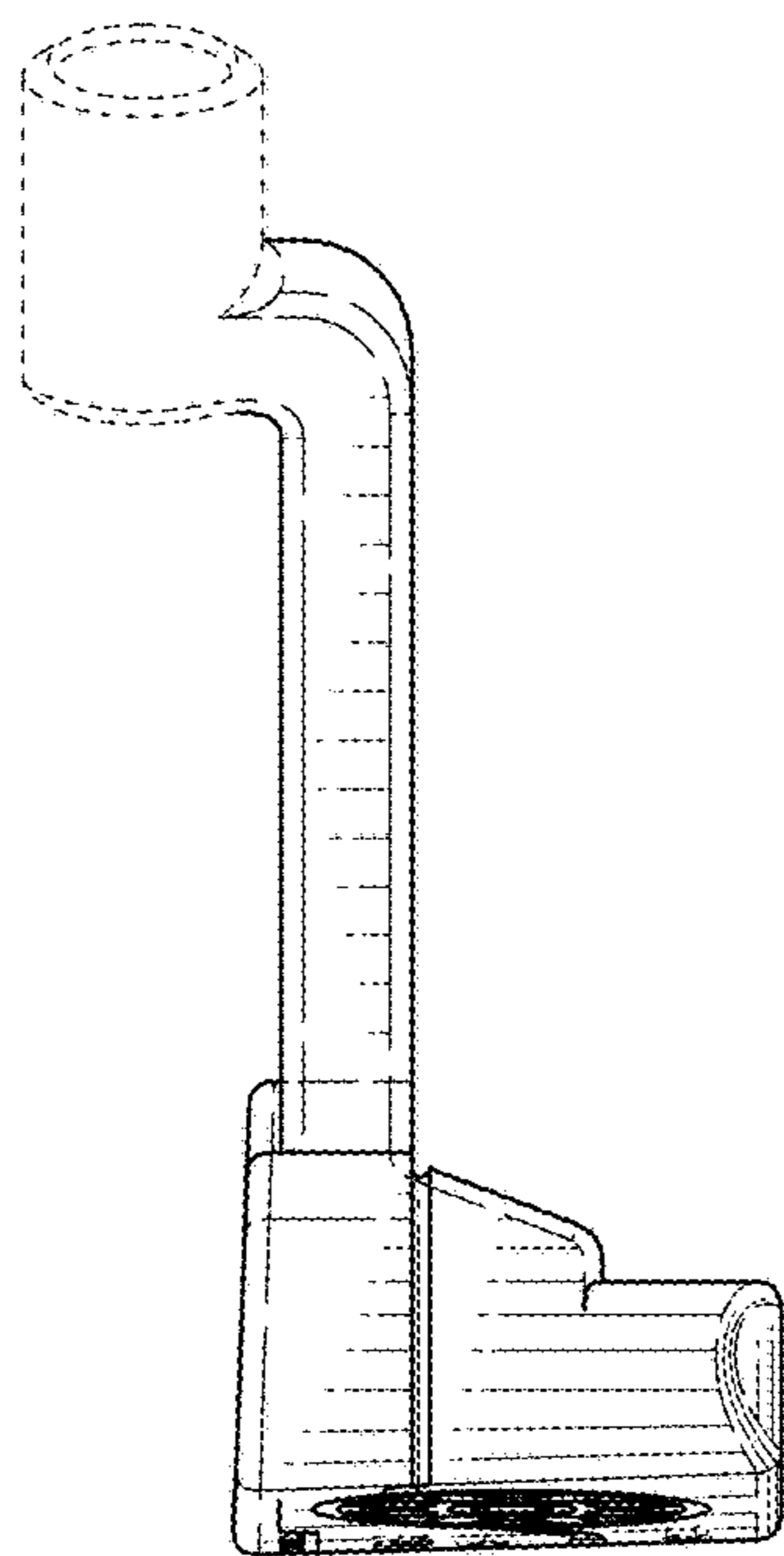


FIG. 4

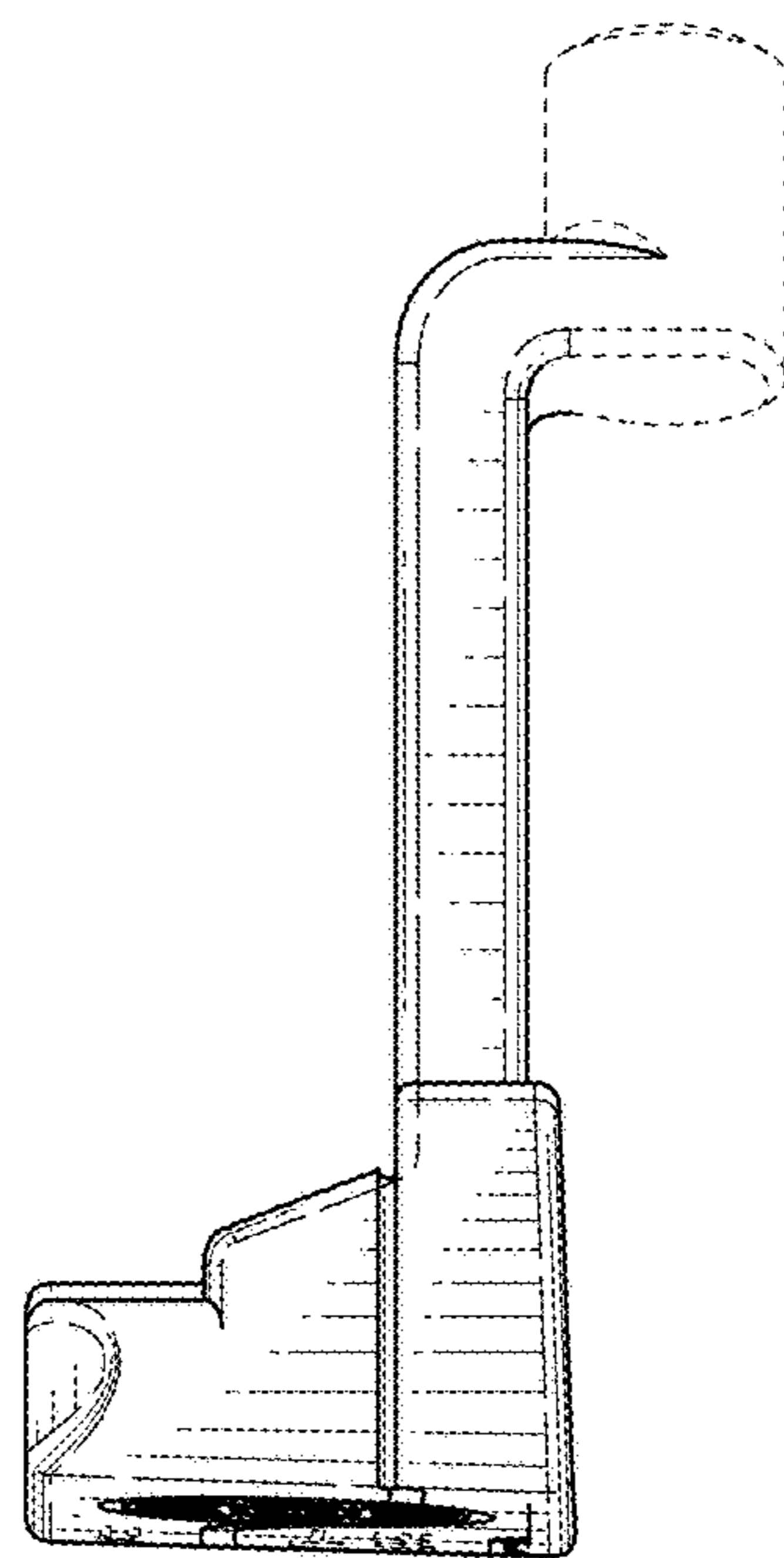


FIG. 5

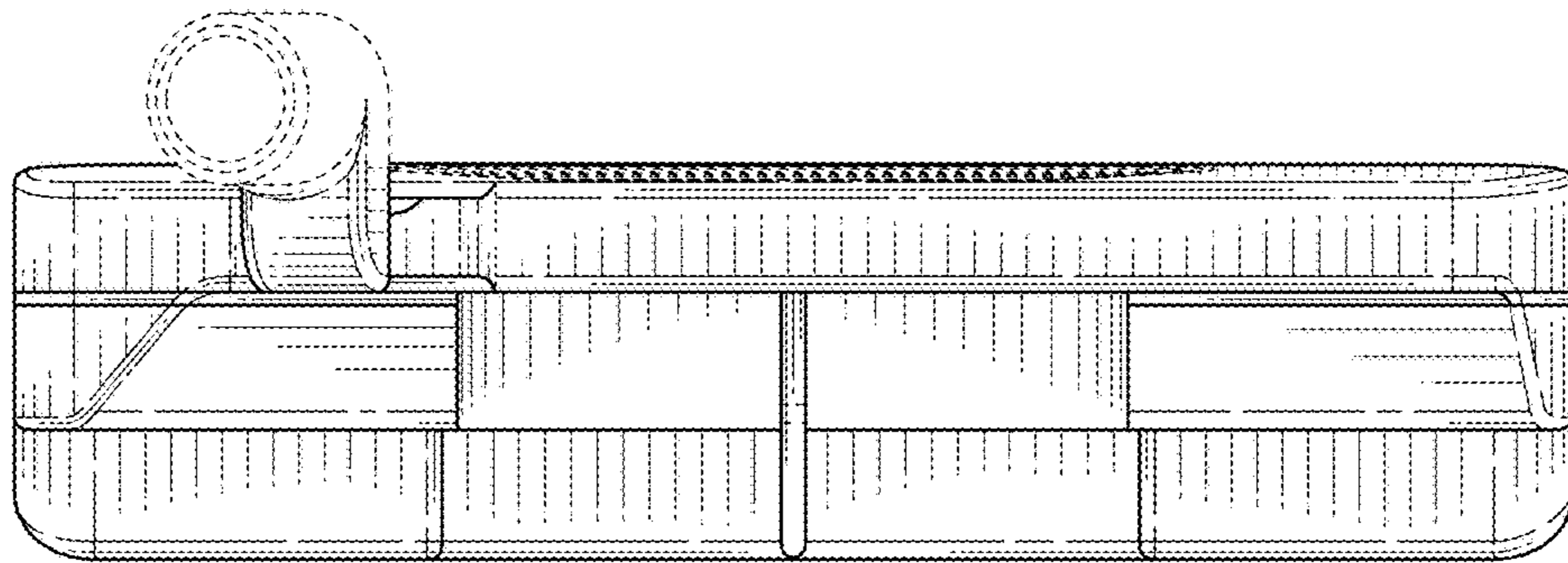


FIG. 6

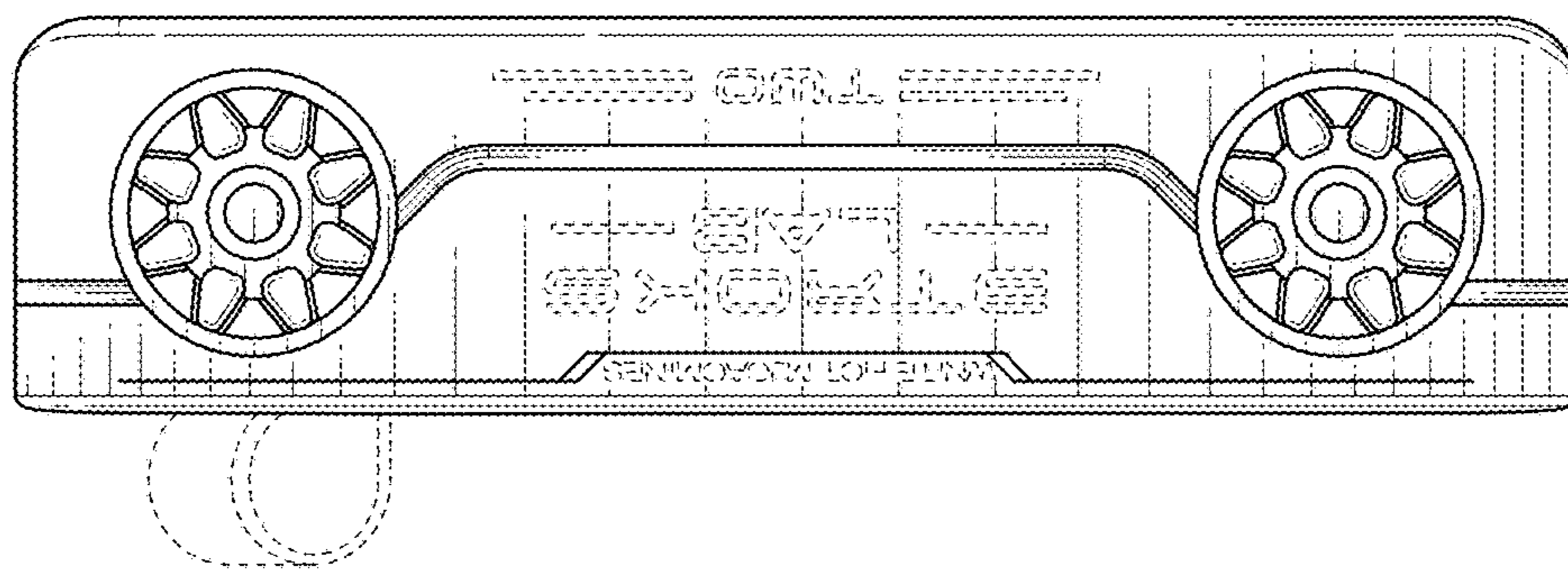


FIG. 7