



US00D860350S

(12) **United States Design Patent**  
**Rollinson**

(10) **Patent No.:** **US D860,350 S**

(45) **Date of Patent:** **\*\* Sep. 17, 2019**

(54) **PUTTER HEAD**

(71) Applicant: **Callaway Golf Company**, Carlsbad,  
CA (US)

(72) Inventor: **Augustin W. Rollinson**, Solana Beach,  
CA (US)

(73) Assignee: **Callaway Golf Company**, Carlsbad,  
CA (US)

(\*\*) Term: **15 Years**

(21) Appl. No.: **29/659,575**

(22) Filed: **Aug. 9, 2018**

(51) **LOC (12) Cl.** ..... **21-02**

(52) **U.S. Cl.**  
USPC ..... **D21/742**

(58) **Field of Classification Search**  
USPC ..... D21/736-746, 759  
CPC ..... A63B 53/00; A63B 53/04; A63B 53/007;  
A63B 53/065; A63B 53/0487; A63B  
60/00; A63B 60/46  
See application file for complete search history.

(56) **References Cited**

**U.S. PATENT DOCUMENTS**

D461,860 S *	8/2002	Tang	.....	D21/742
D483,824 S *	12/2003	Tang	.....	D21/738
D557,361 S *	12/2007	Rollinson	.....	D21/743
D572,780 S *	7/2008	Rollinson	.....	D21/744
D575,366 S *	8/2008	Rollinson	.....	D21/744
D595,793 S *	7/2009	Rollinson	.....	D21/736
7,601,076 B2 *	10/2009	Rollinson	.....	A63B 53/0487 473/288
D619,665 S *	7/2010	Rollinson	.....	D21/742
D630,690 S *	1/2011	Rollinson	.....	D21/746
D641,815 S *	7/2011	Rollinson	.....	D21/744
D641,816 S *	7/2011	Rollinson	.....	D21/744

D643,485 S *	8/2011	Nicolette	.....	D21/736
D730,462 S *	5/2015	Becktor	.....	D21/742
D730,463 S *	5/2015	Dolezel	.....	D21/742
D732,120 S *	6/2015	Becktor	.....	D21/742
D732,121 S *	6/2015	Trahan	.....	D21/742
D732,122 S *	6/2015	Becktor	.....	D21/742
D732,618 S *	6/2015	Becktor	.....	D21/742
D750,186 S *	2/2016	Schweigert	.....	D21/746
D769,993 S *	10/2016	Abbott	.....	D21/742
D777,267 S *	1/2017	Dolezel	.....	D21/742
D777,269 S *	1/2017	Becktor	.....	D21/742
D783,101 S *	4/2017	Schweigert	.....	D21/736
D793,502 S *	8/2017	Cardani	.....	D21/743
D796,604 S *	9/2017	Serrano	.....	D21/744
D796,605 S *	9/2017	Serrano	.....	D21/744
D801,458 S *	10/2017	Rollinson	.....	D21/742

\* cited by examiner

*Primary Examiner* — Mitchell I. Siegel

(74) *Attorney, Agent, or Firm* — Rebecca Hanovice;  
Michael Catania; Sonia Lari

(57) **CLAIM**

The ornamental design for a putter head, as shown and described.

**DESCRIPTION**

FIG. 1 is a rear perspective view of the putter head claimed herein;

FIG. 2 is a rear elevational view thereof;

FIG. 3 is a front elevational view thereof;

FIG. 4 is a left side elevational view thereof;

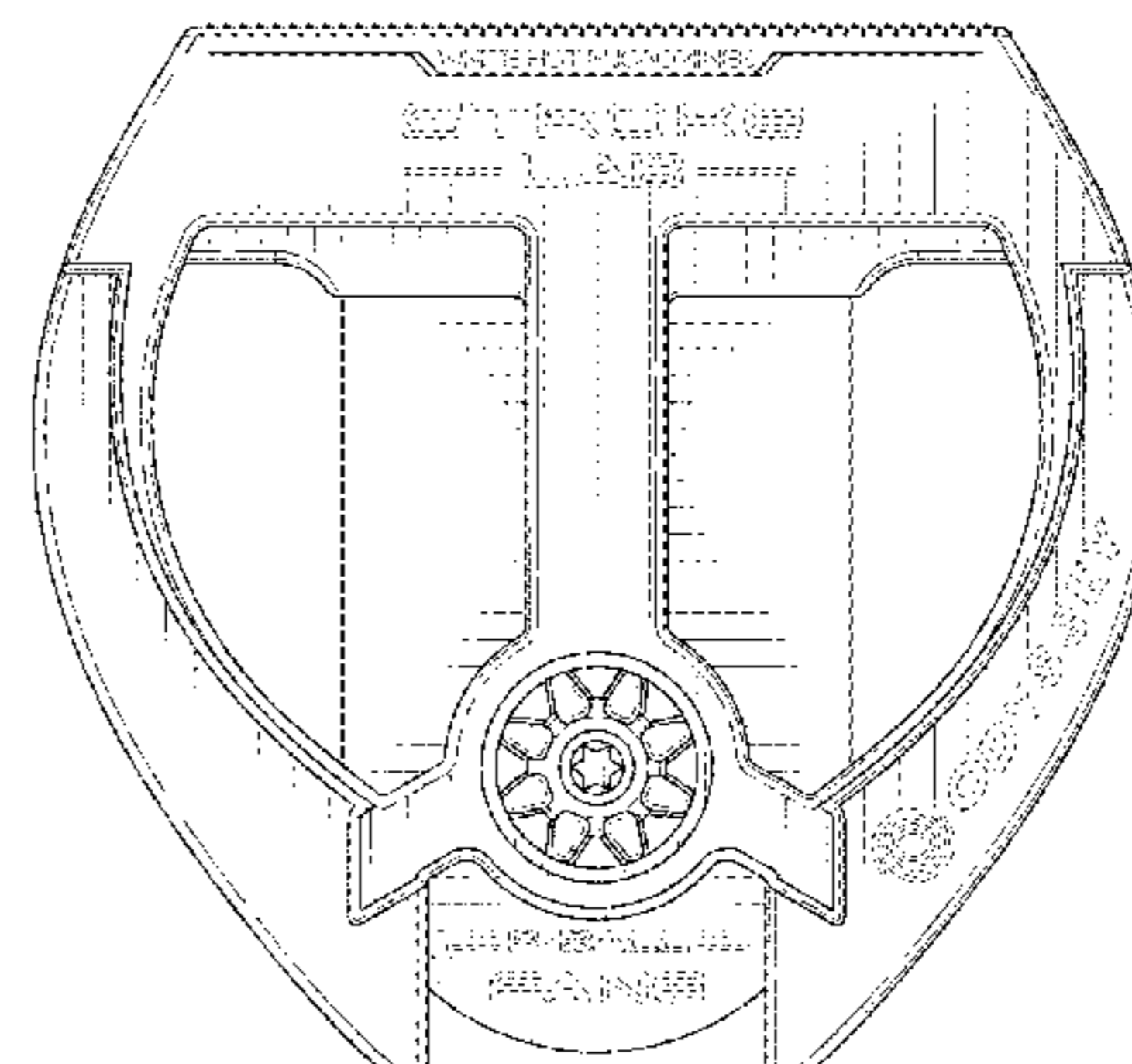
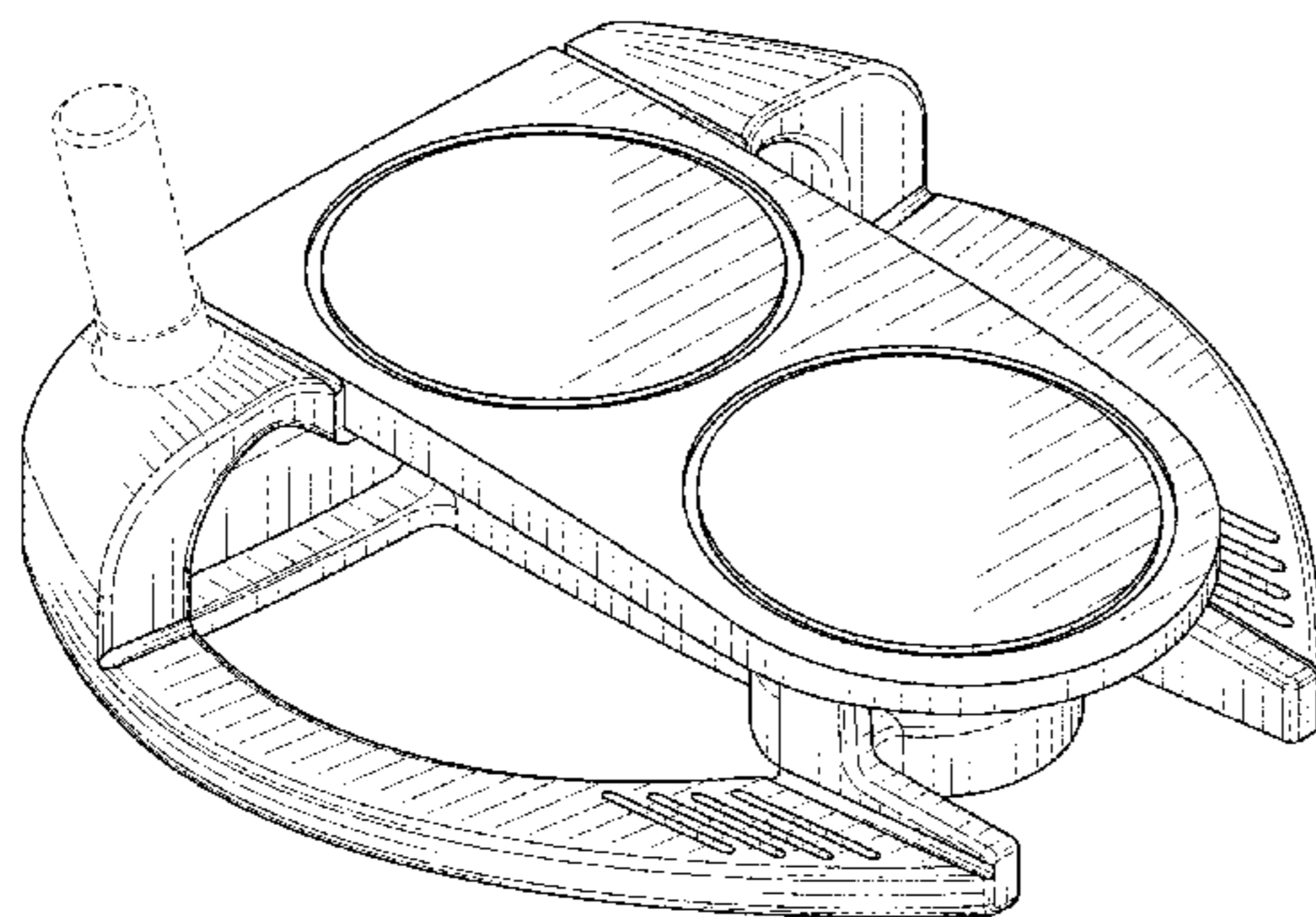
FIG. 5 is a right side elevational view thereof;

FIG. 6 is a top plan view thereof; and,

FIG. 7 is a bottom plan view thereof.

The broken lines shown are included for the purpose of illustrating unclaimed subject matter and form no part of the claimed design.

**1 Claim, 5 Drawing Sheets**



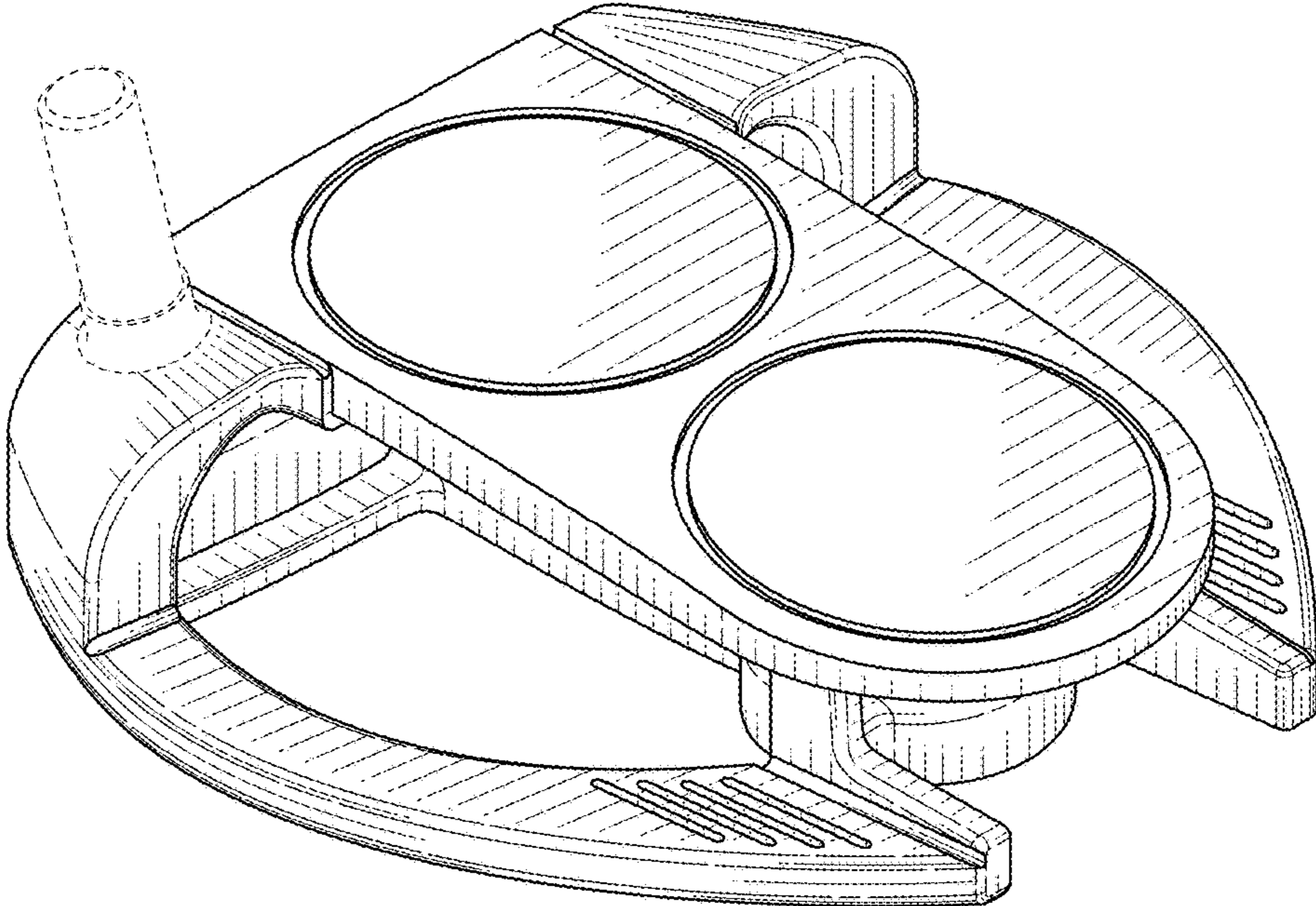


FIG. 1

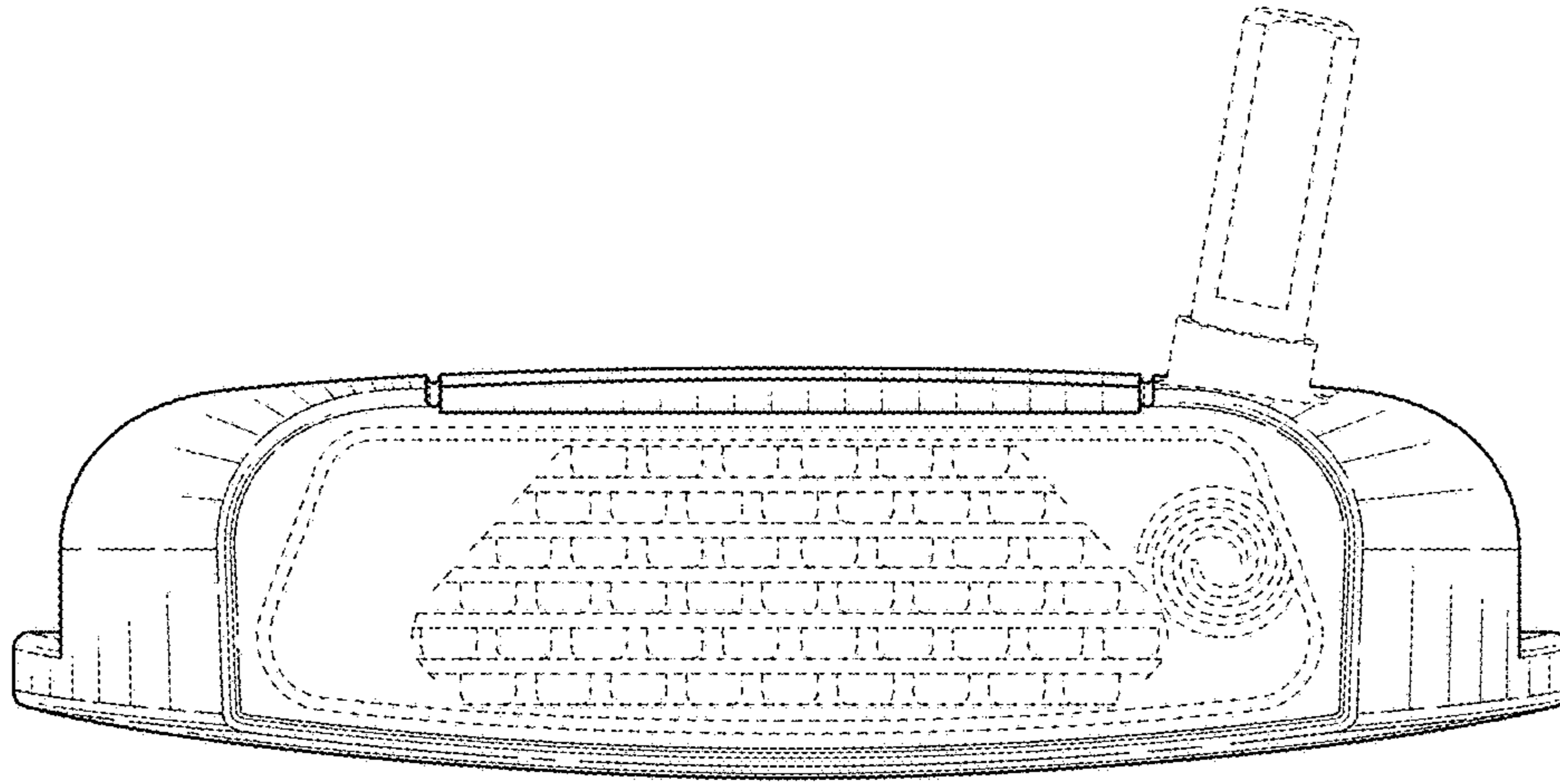


FIG. 2

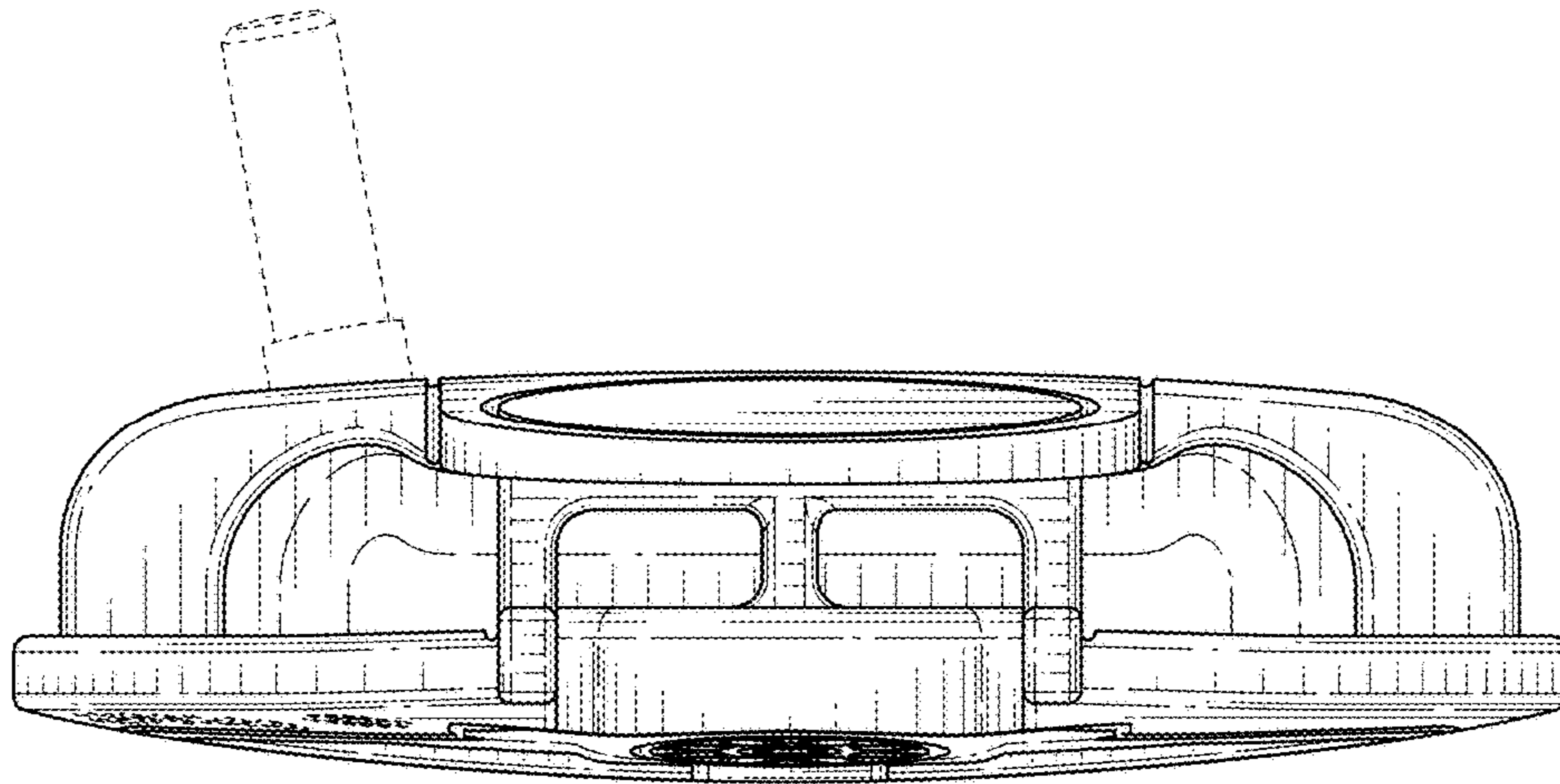


FIG. 3

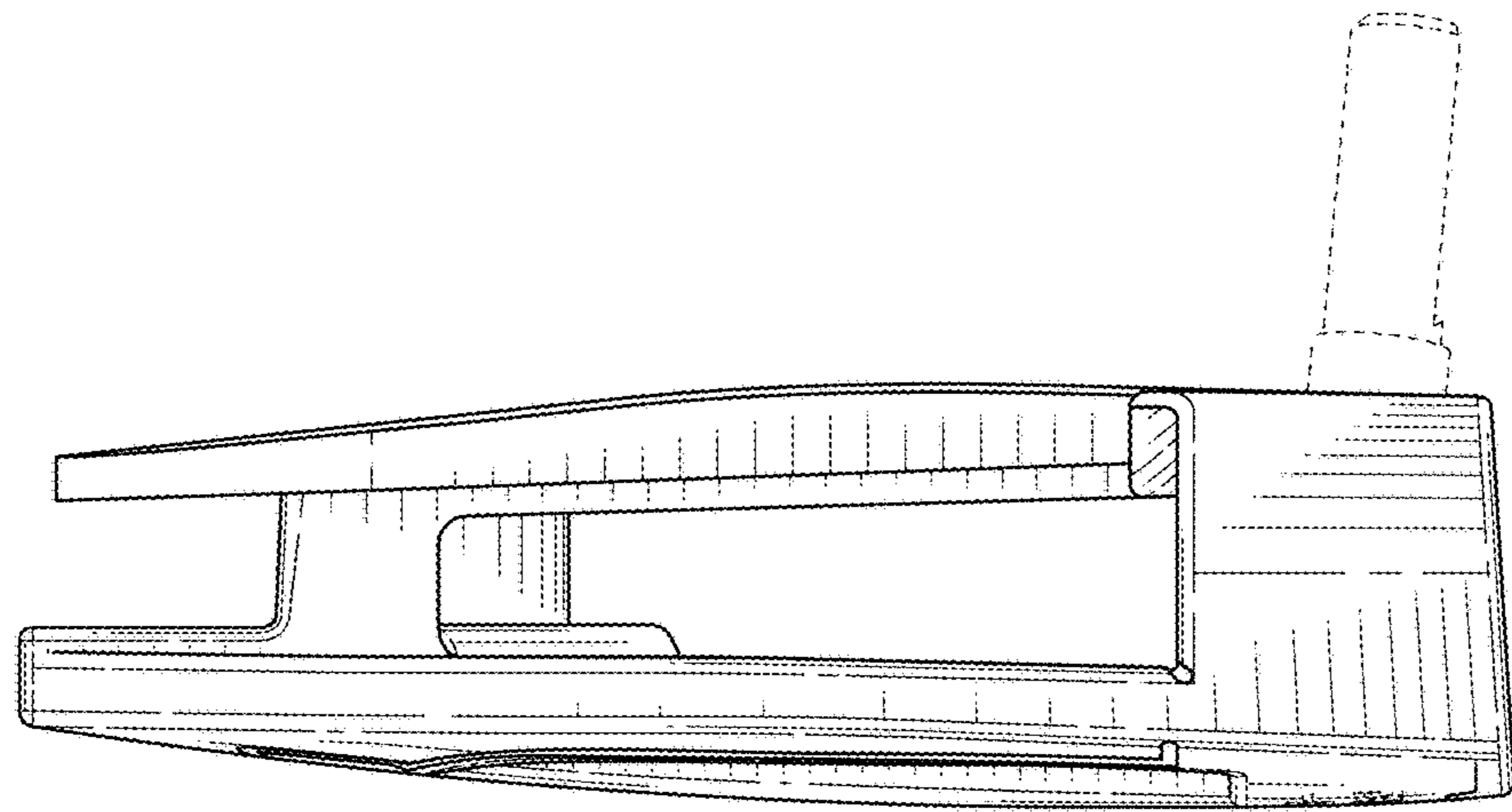


FIG. 4

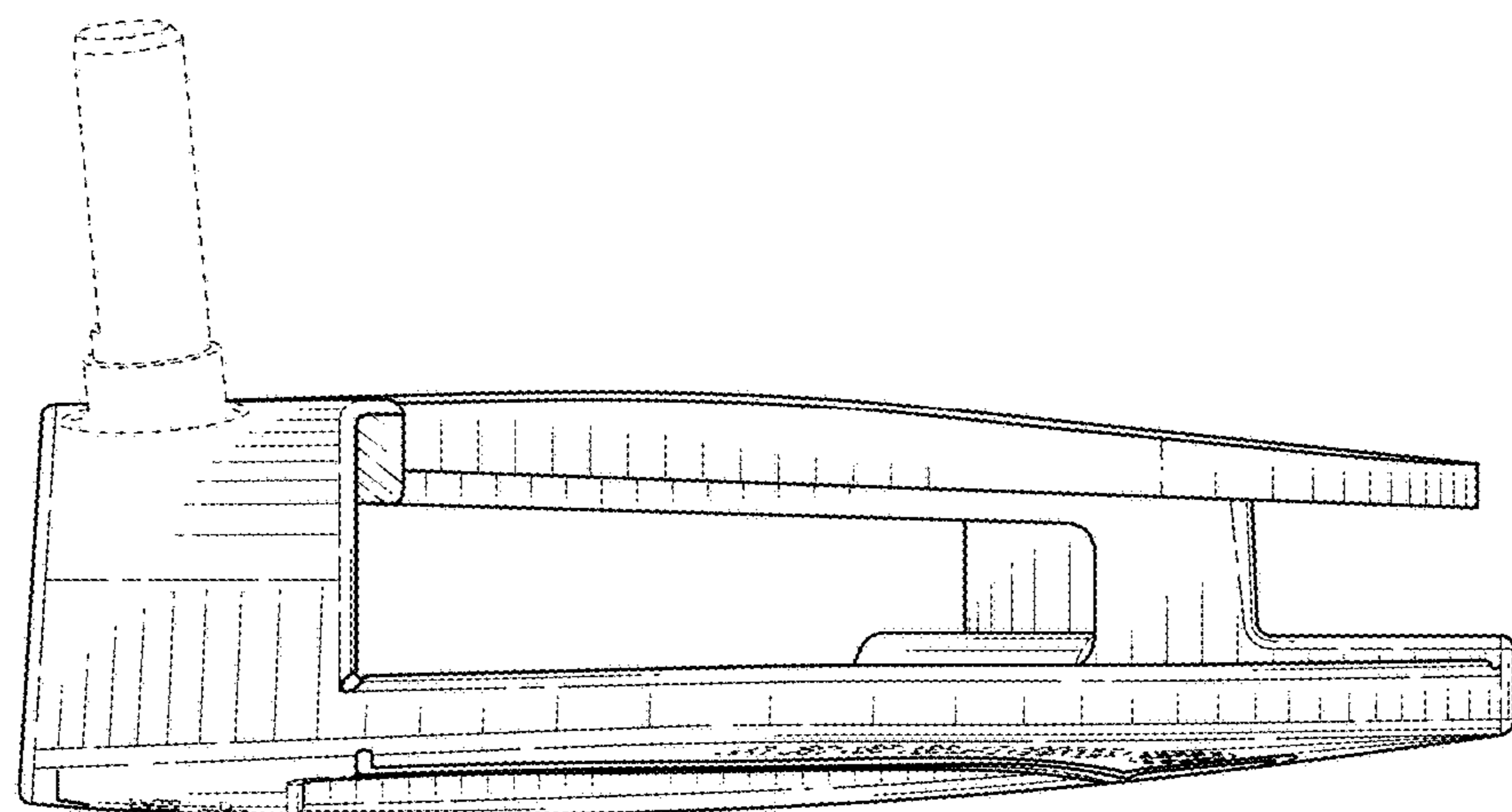


FIG. 5

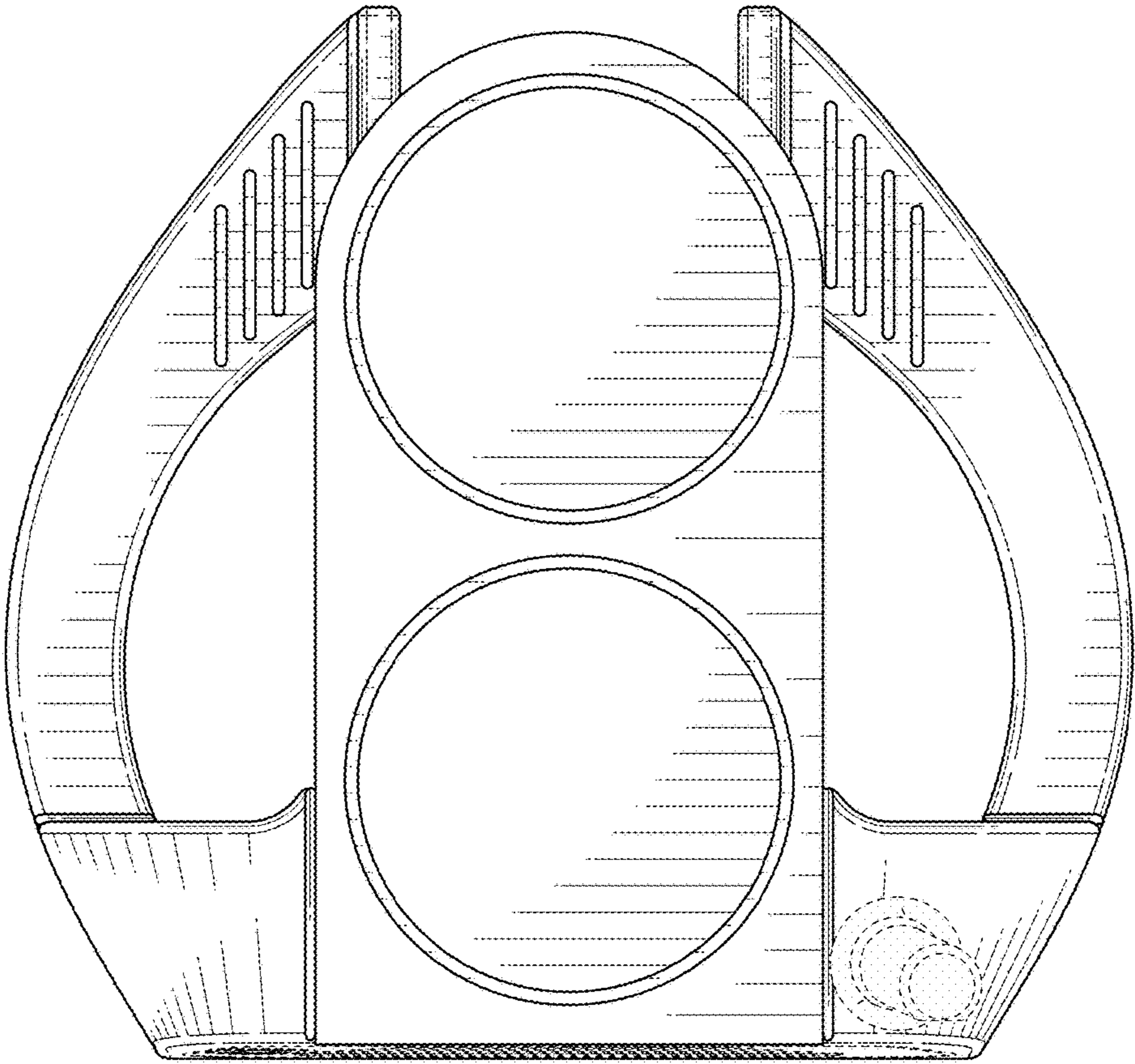


FIG. 6

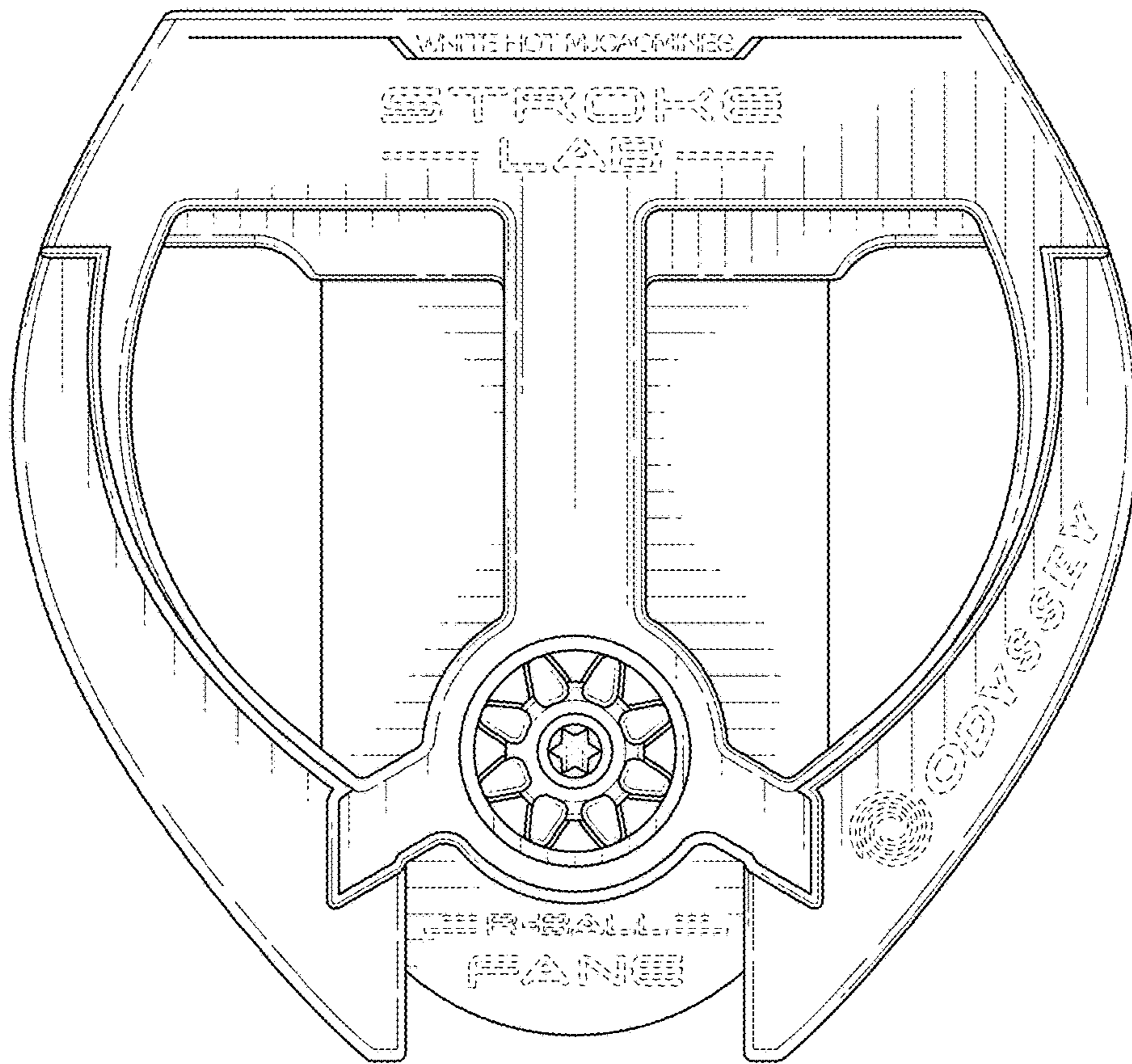


FIG. 7